



US00D749653S

(12) **United States Design Patent**
Carnes

(10) **Patent No.:** **US D749,653 S**
(45) **Date of Patent:** **** Feb. 16, 2016**

(54) **COOLER TIE DOWN SYSTEM**

(71) Applicant: **Jason J. Carnes**, Paducah, KY (US)

(72) Inventor: **Jason J. Carnes**, Paducah, KY (US)

(**) Term: **14 Years**

(21) Appl. No.: **29/486,684**

(22) Filed: **Apr. 1, 2014**

(51) **LOC (10) Cl.** **15-07**

(52) **U.S. Cl.**
USPC **D15/89**

(58) **Field of Classification Search**
USPC D15/79, 80, 81, 89, 90; D8/44, 336,
D8/338, 356

CPC . Y10T 24/4016; Y10T 24/2175; Y10T 24/40;
Y10T 24/21; Y10T 24/4072; Y10T 24/2192;
Y10T 24/4077; Y10T 24/318; Y10T 24/4012;
Y10T 24/4037; Y10T 24/45241; Y10T
24/4736; Y10T 24/2117; Y10T 24/4014;
Y10T 24/4019; Y10T 24/14; Y10T 24/1412;
Y10T 24/2102; Y10T 24/2183; Y10T
24/2185; Y10T 24/32; Y10T 24/3419; Y10T
24/3449; Y10T 24/4007; Y10T 24/4023;
Y10T 24/4084; Y10T 24/4093; Y10T 24/4453;
Y10T 24/45581; Y10T 24/45775; Y10T
24/44274; Y10T 24/44291; Y10T 24/44368;
Y10T 24/44752; Y10T 24/44769; Y10T
24/44889; Y10T 24/44932; Y10T 24/4522;
Y10T 24/45246; Y10T 24/45251; Y10T
24/45257; Y10T 24/45398; Y10T 24/45597;
Y10T 24/45623

See application file for complete search history.

(56) **References Cited**

U.S. PATENT DOCUMENTS

700,158 A * 5/1902 Stoneman 70/64
5,306,029 A 4/1994 Kaiser, II
5,480,170 A 1/1996 Kaiser, II
5,779,252 A 7/1998 Bolton, Jr.
6,427,886 B1 8/2002 Essex

7,100,902 B1 * 9/2006 Lu 254/218
D552,950 S * 10/2007 Hsieh D8/44
D593,385 S * 6/2009 Wang D8/44
D676,728 S * 2/2013 Burris D8/44
D679,973 S * 4/2013 Burris D8/44
2010/0181410 A1 * 7/2010 Ting et al. 242/395
2011/0233317 A1 * 9/2011 Chou 242/395

* cited by examiner

Primary Examiner — Daniel Bui

Assistant Examiner — Khawaja Anwar

(74) *Attorney, Agent, or Firm* — Julie A. Tennyson

(57) **CLAIM**

I claim the ornamental design for a cooler tie down system, as shown and described.

DESCRIPTION

FIG. 1 is a side elevation view of a cooler tie down system, showing my new design

FIG. 2 is a front elevation view thereof

FIG. 3 is a back elevation view thereof

FIG. 4 is a top, back perspective view thereof, in a use condition

FIG. 5 is a front perspective view of FIG. 1

FIG. 6 is a front perspective view thereof, in a use condition

FIG. 7 is an enlarged detail side elevation view of area 7 from FIG. 1

FIG. 8 is a side elevation view thereof

FIG. 9 is another side elevation view thereof

FIG. 10 is front elevation view thereof

FIG. 11 is a back plan view thereof

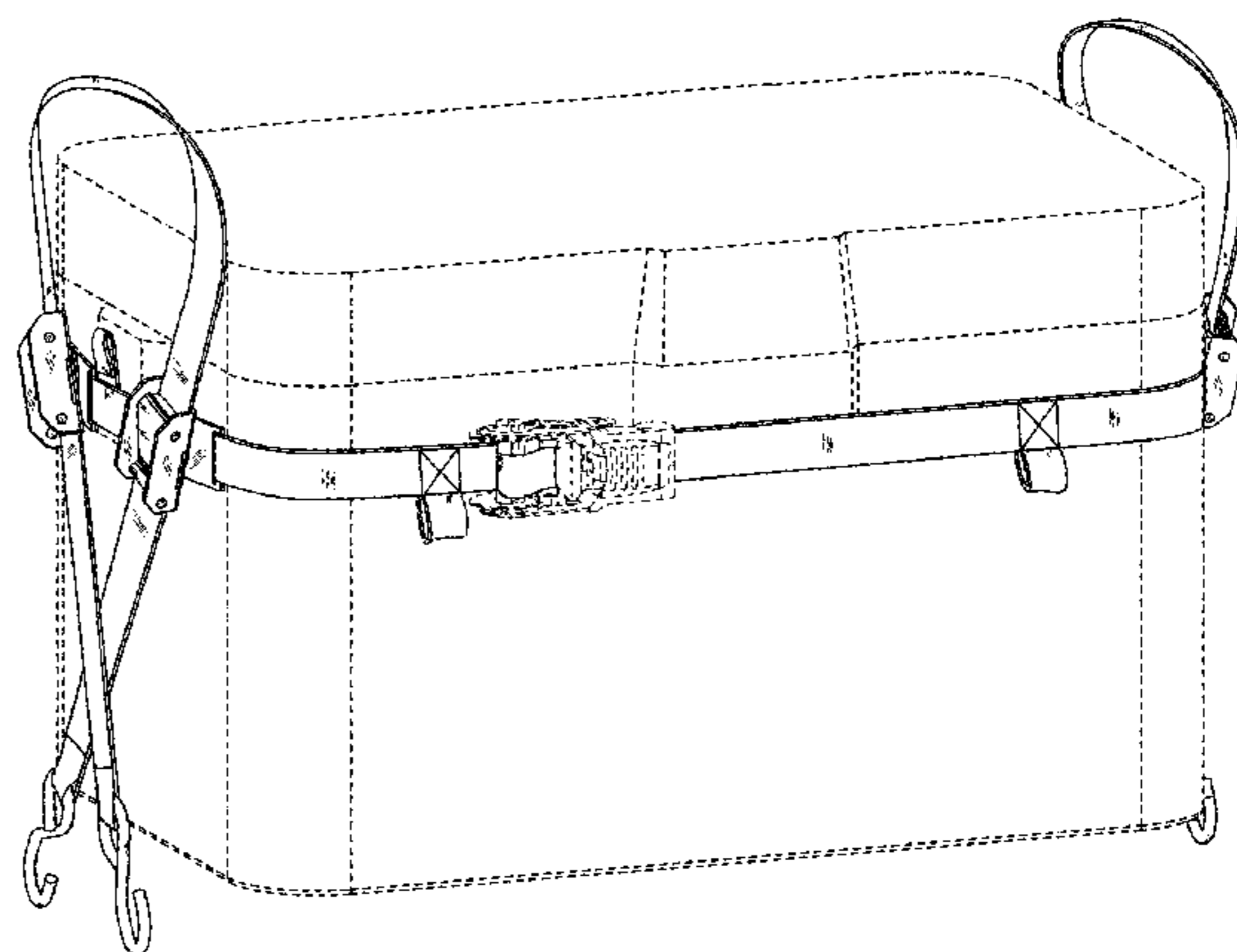
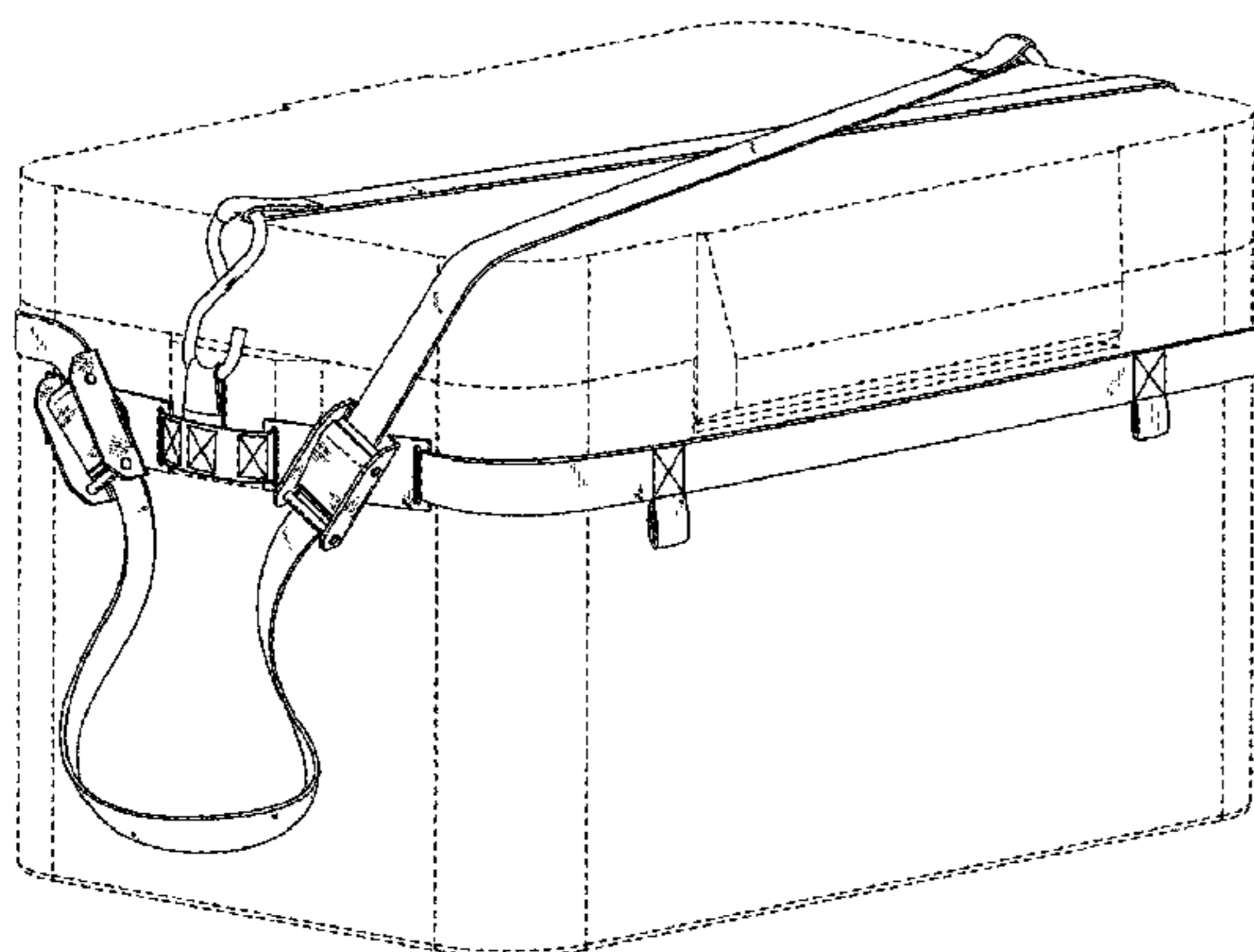
FIG. 12 is a bottom plan view thereof

FIG. 13 is a perspective view thereof, of area 7 from FIG. 1; and,

FIG. 14 is another perspective view thereof, shown in an alternate configuration.

The broken line in the figure drawings represents unclaimed environment only and forms no part of the claimed design; and the dot-dash broken line in the figure drawings represent an unclaimed boundary of the claimed design.

1 Claim, 14 Drawing Sheets



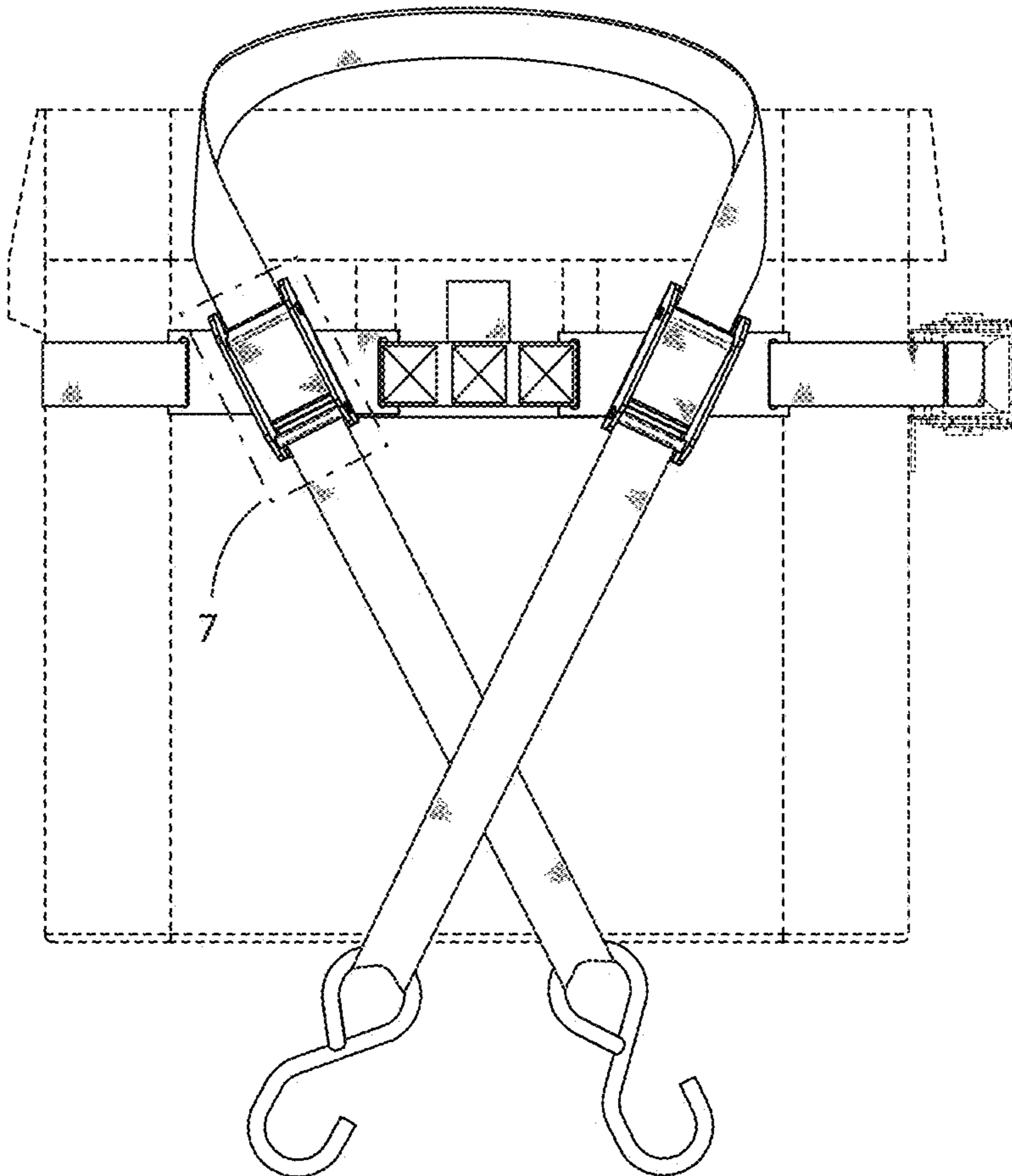


Fig. 1

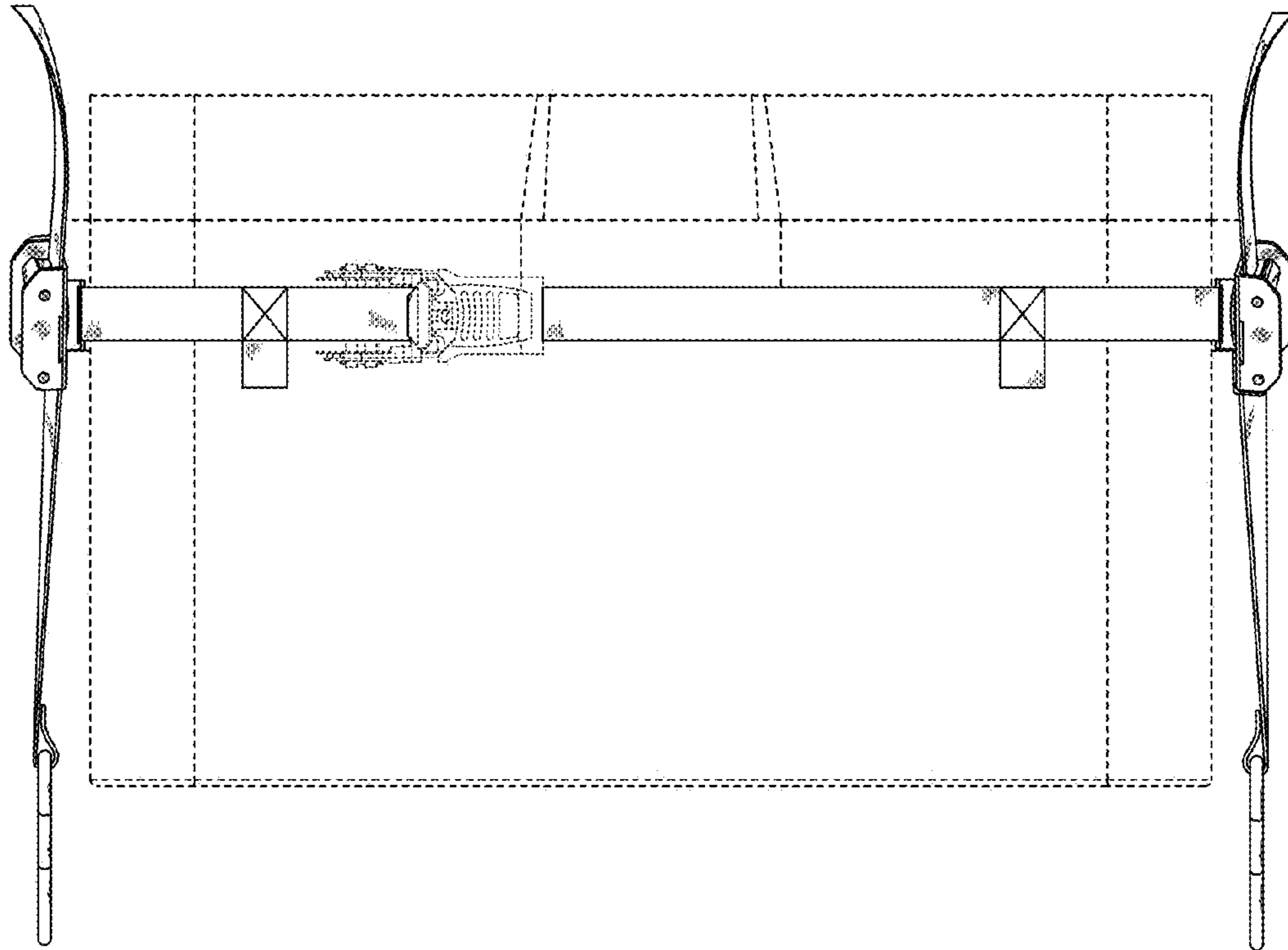


Fig. 2

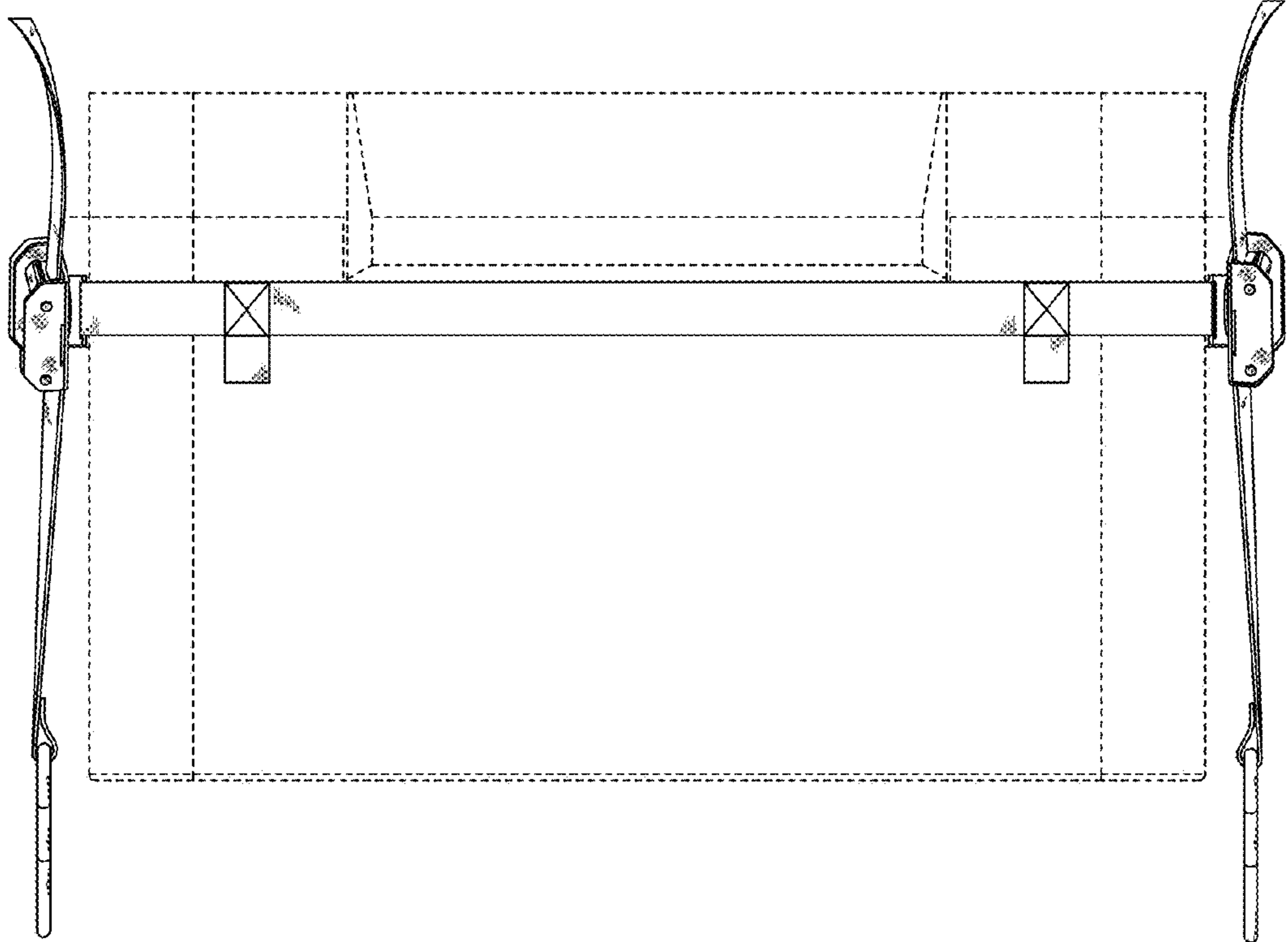


Fig. 3

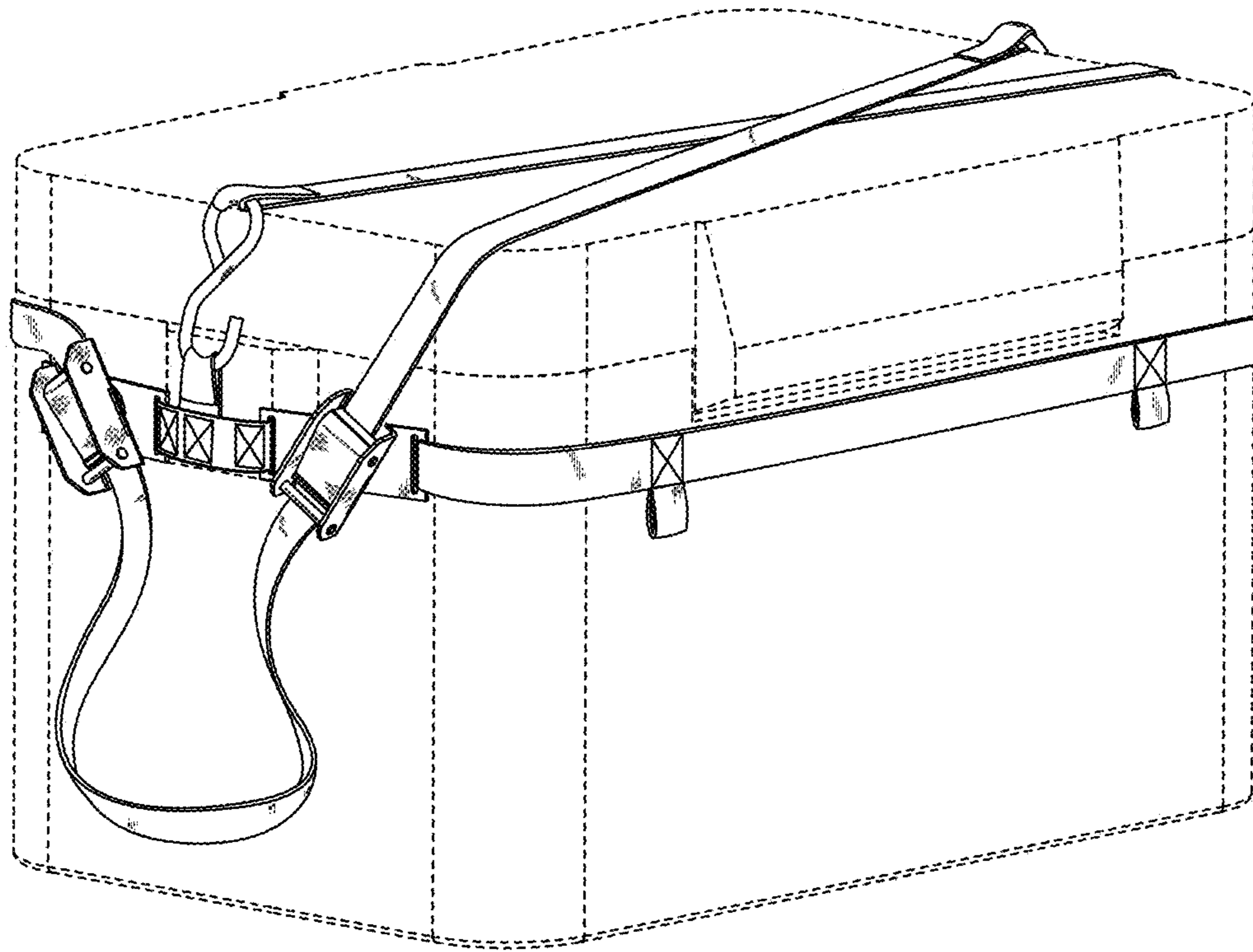


Fig. 4

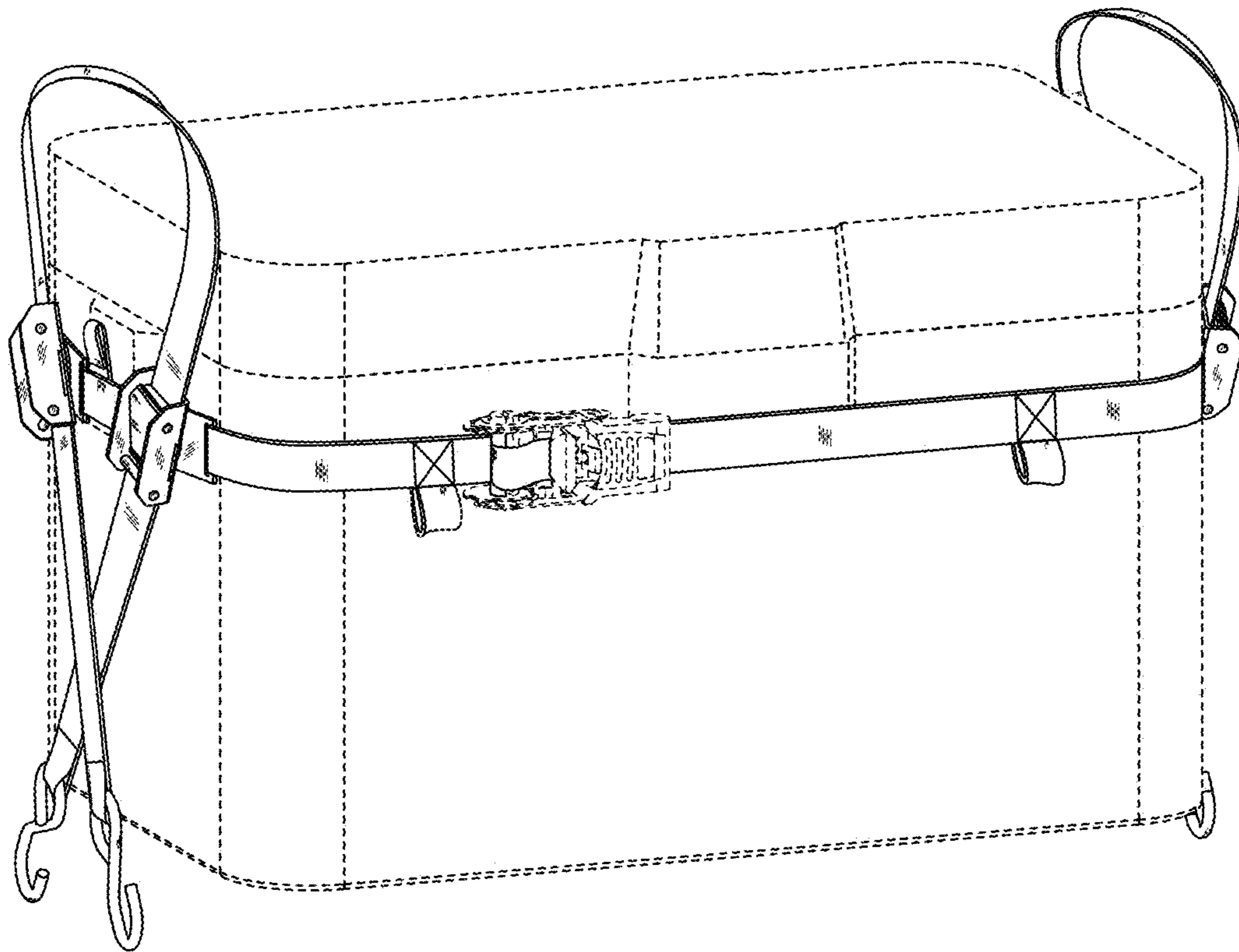


Fig. 5

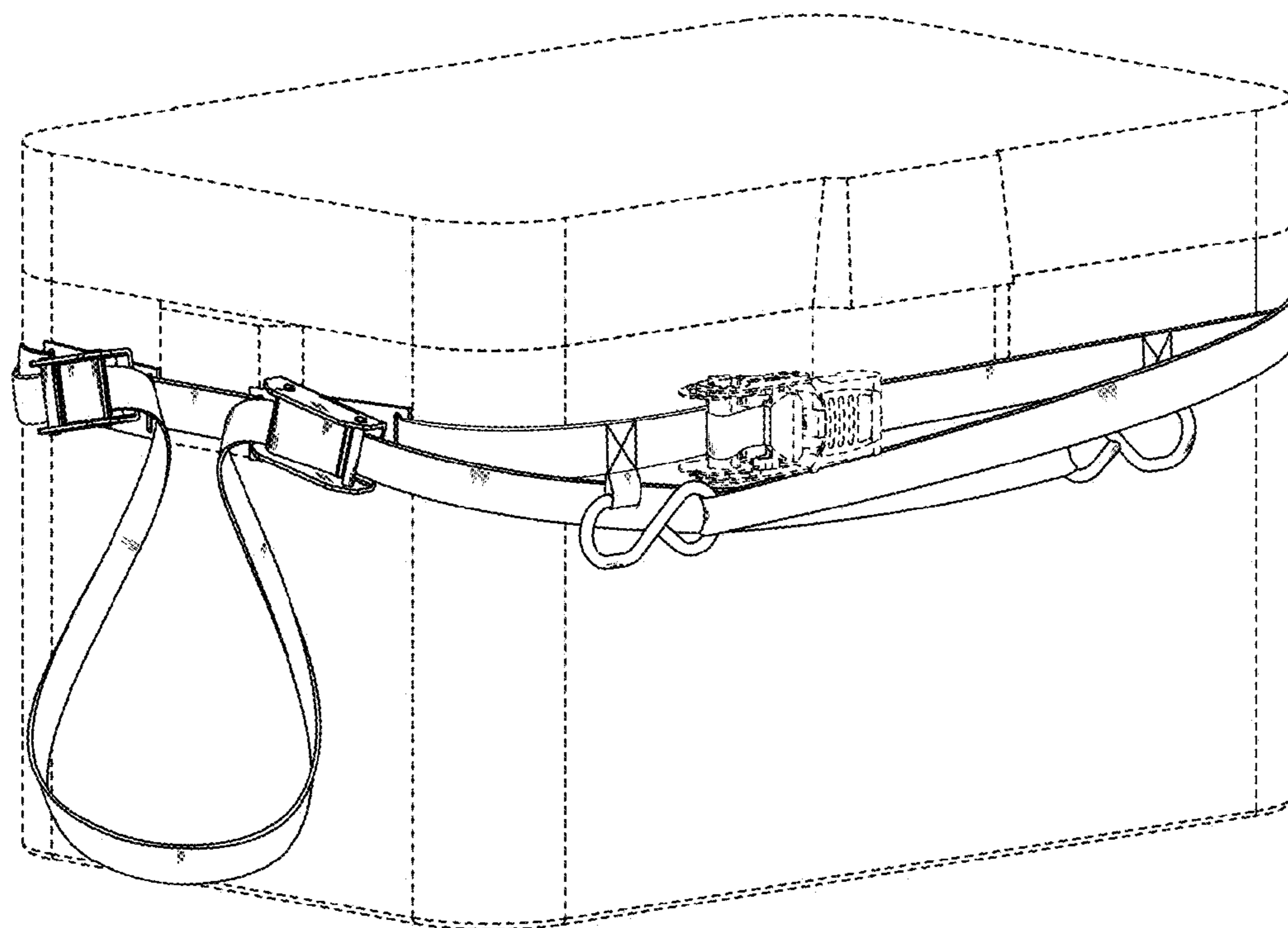


Fig. 6

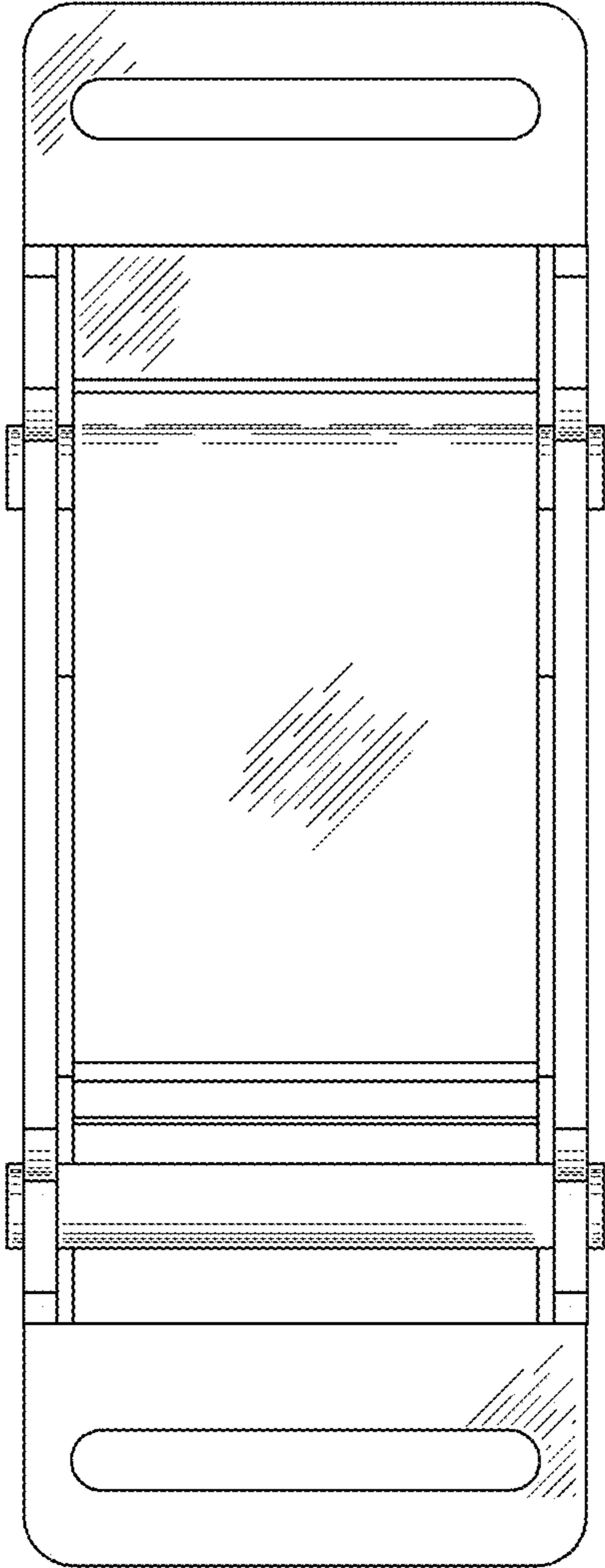


Fig. 7

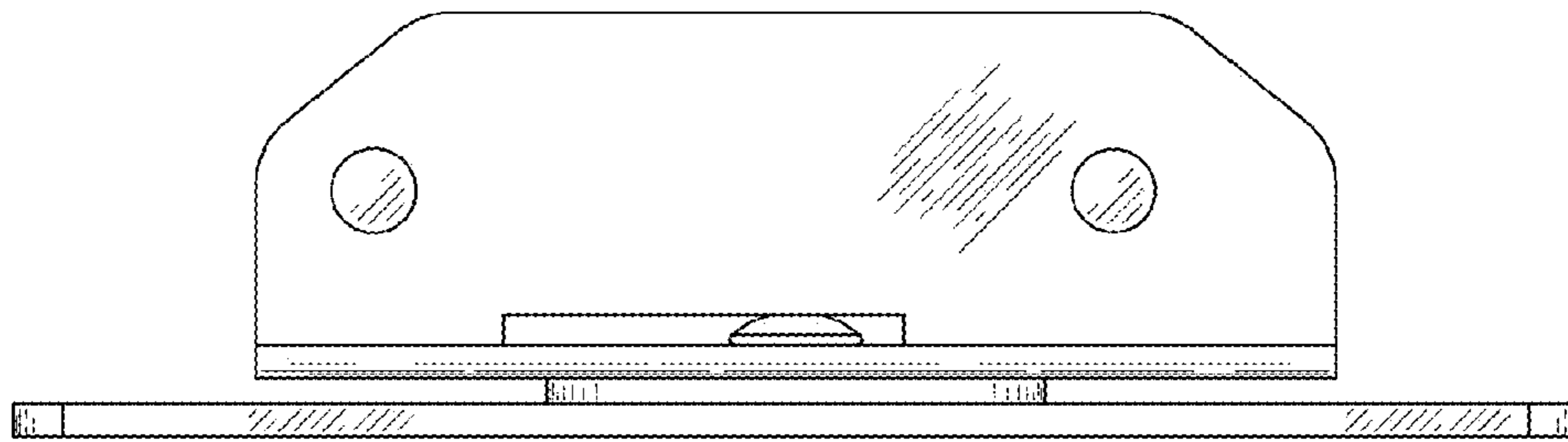


Fig. 8

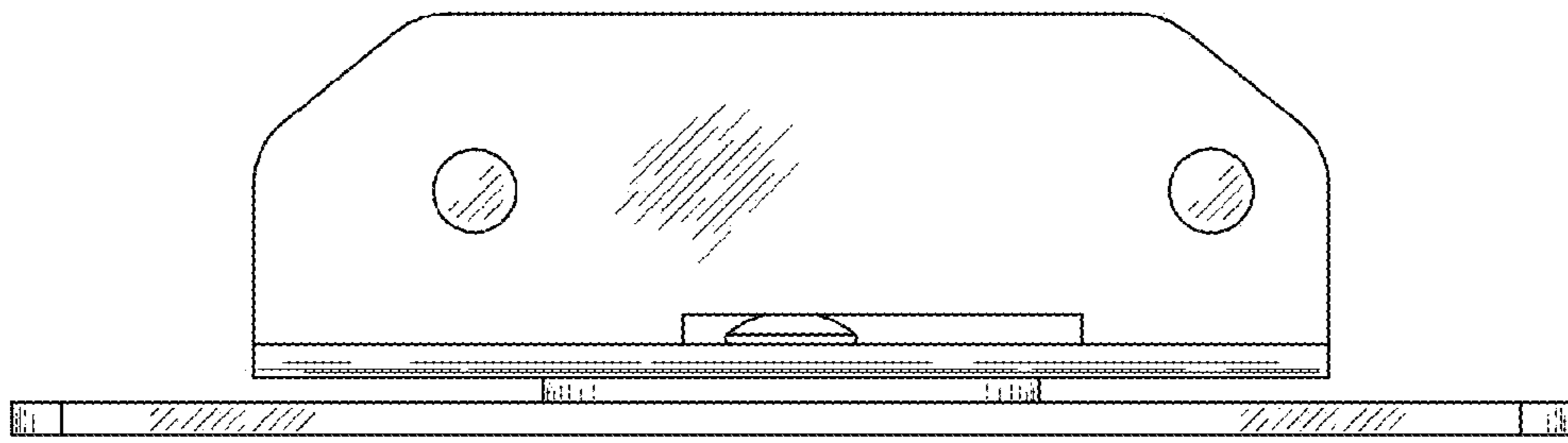


Fig. 9

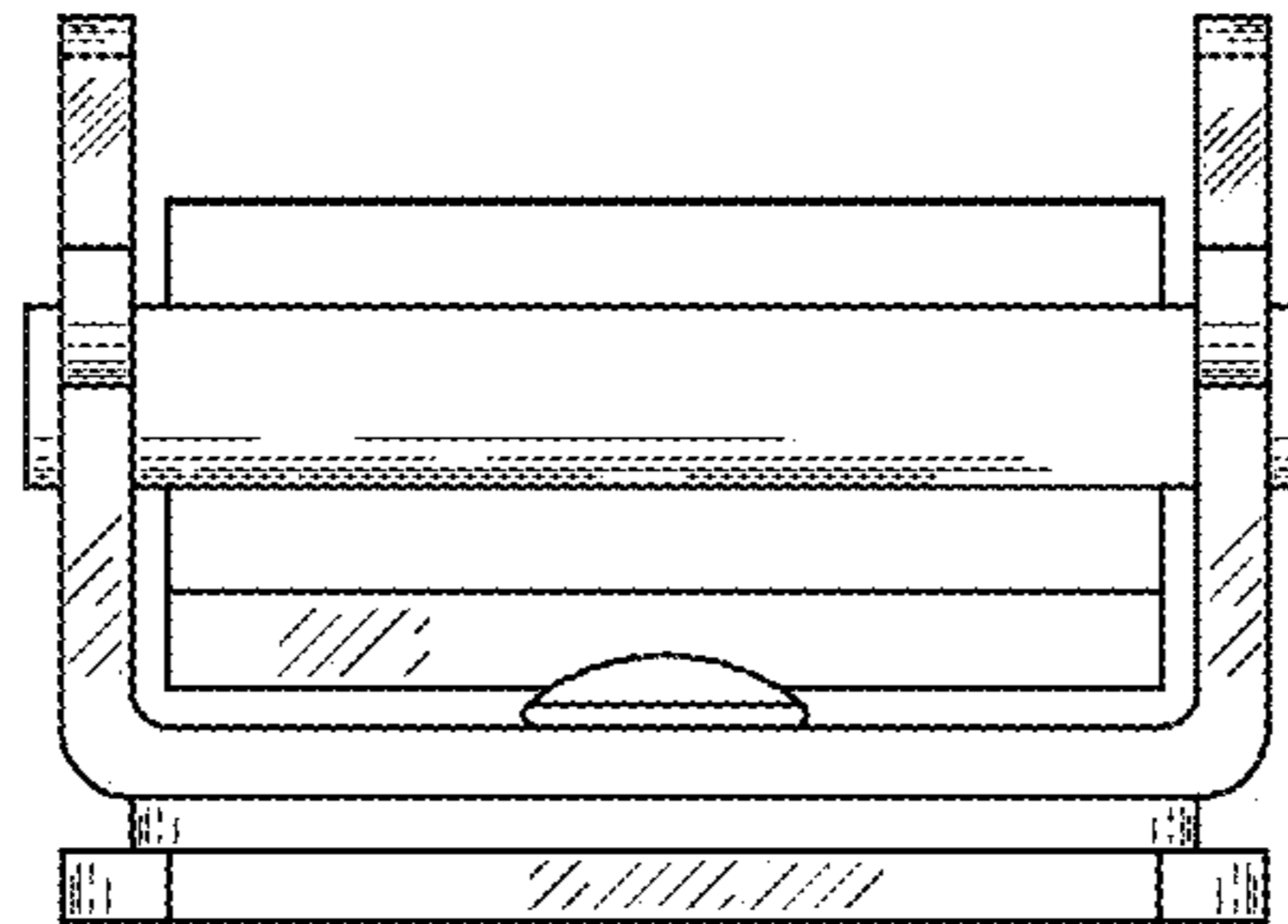


Fig. 10

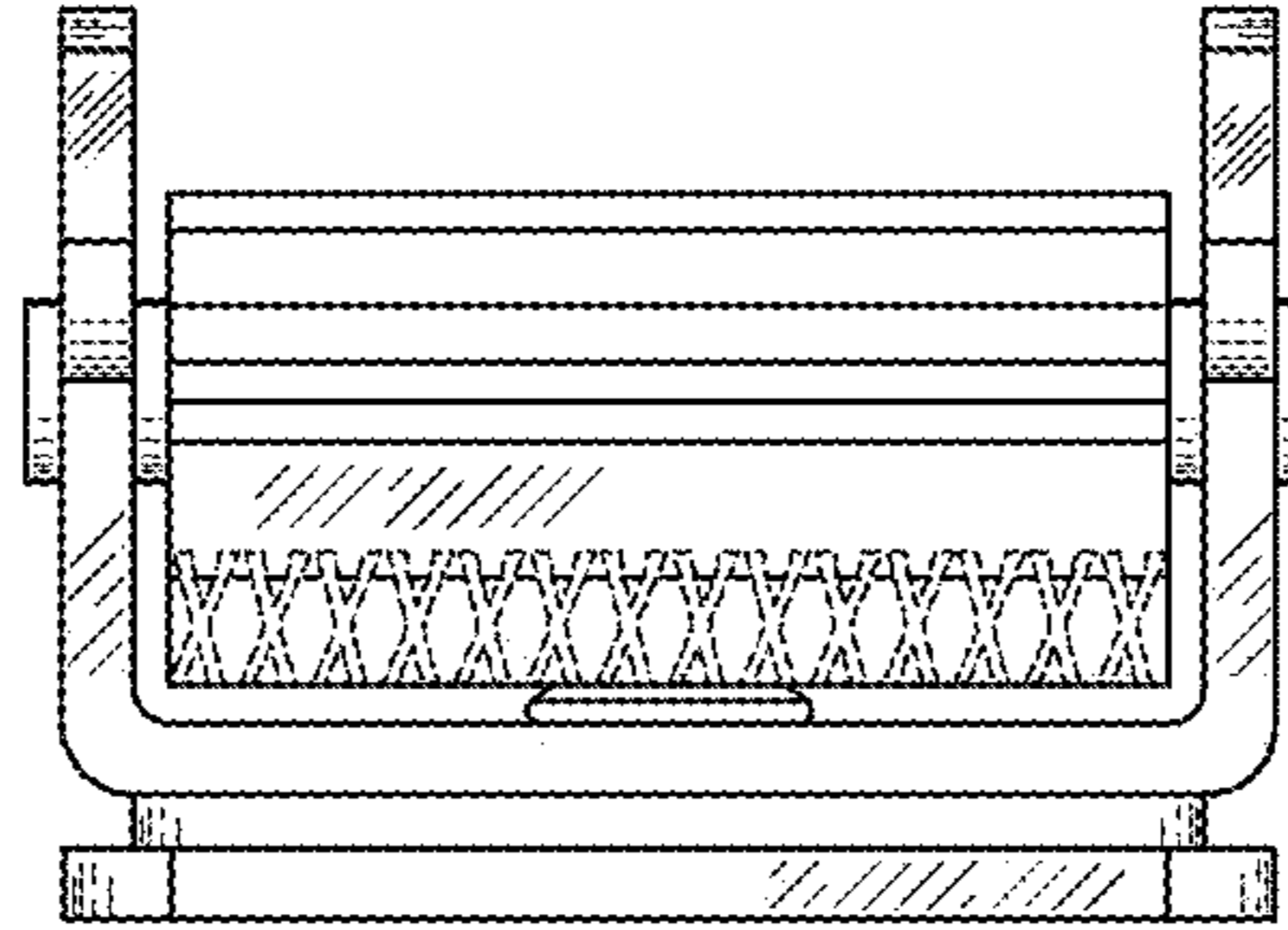


Fig. 11

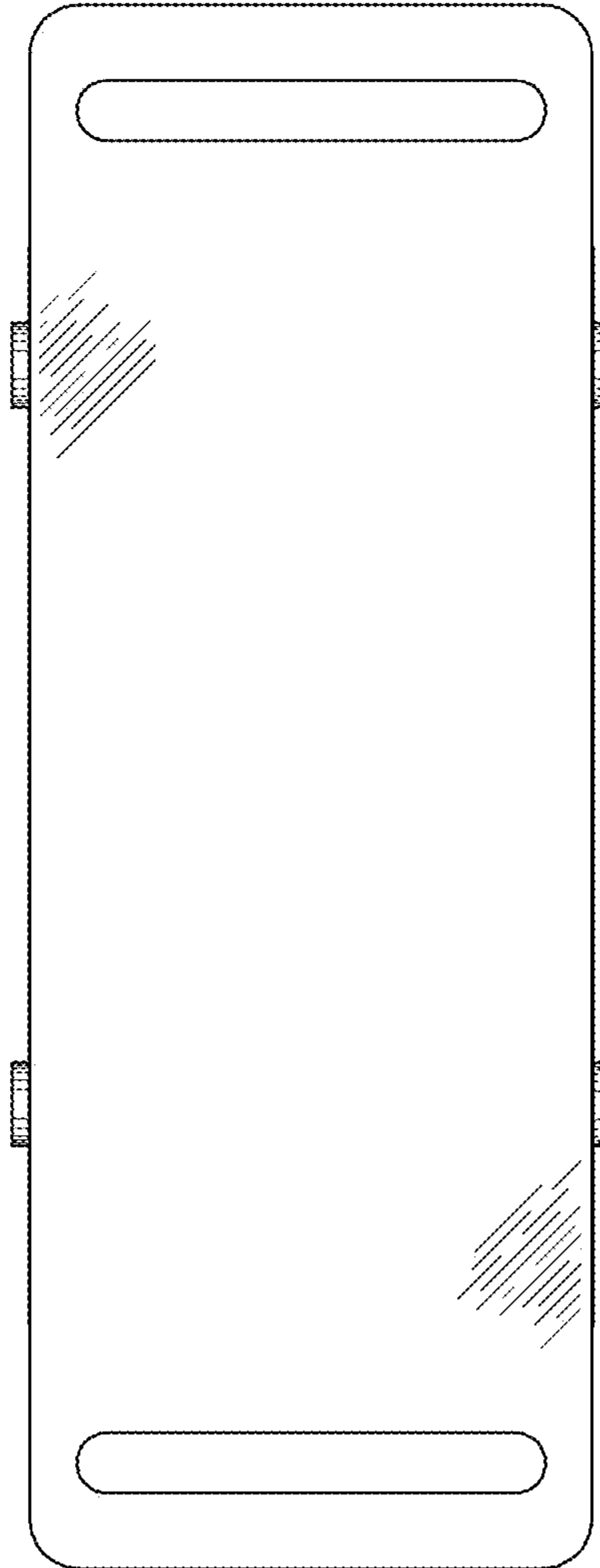


Fig. 12

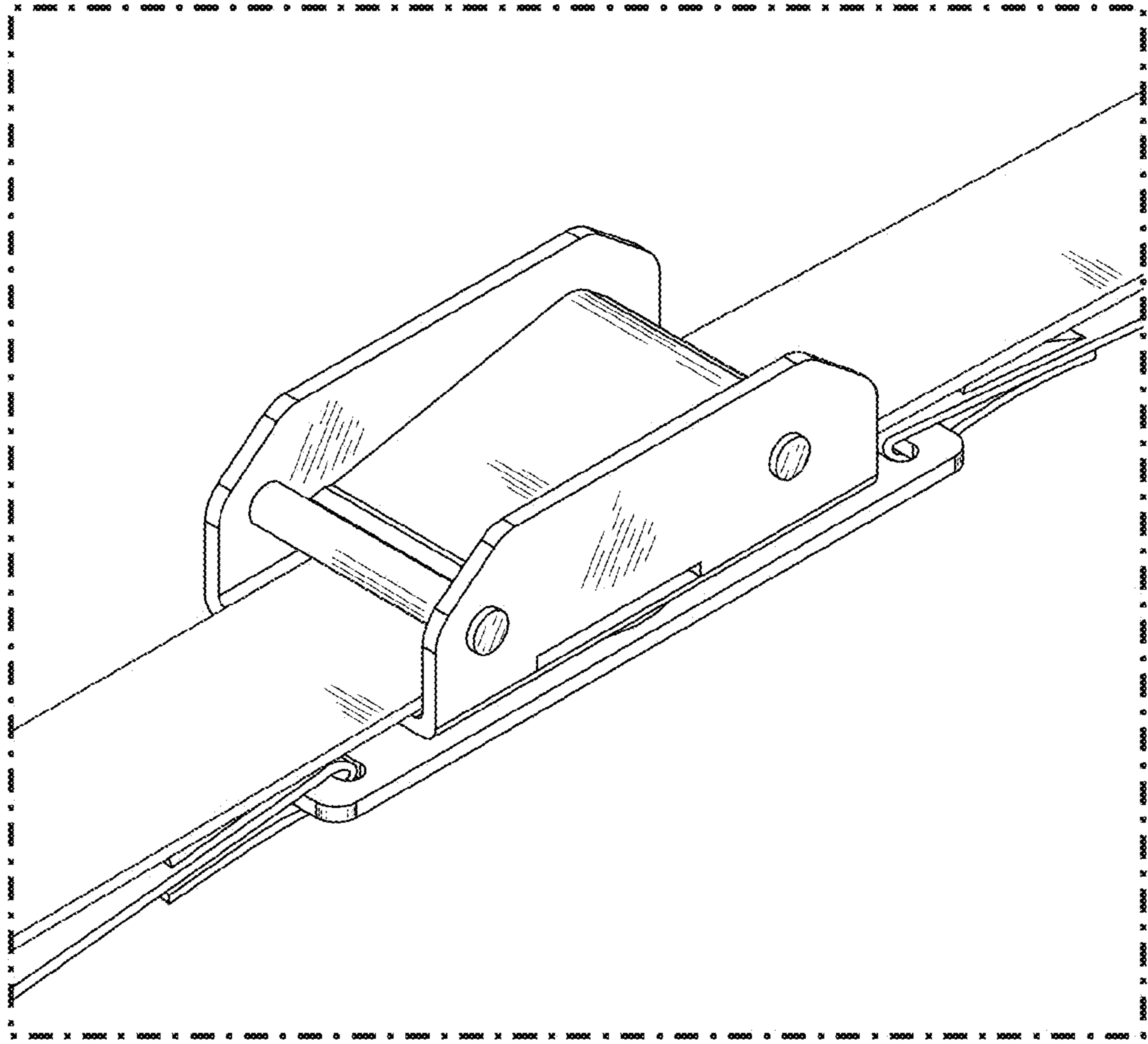


Fig. 13

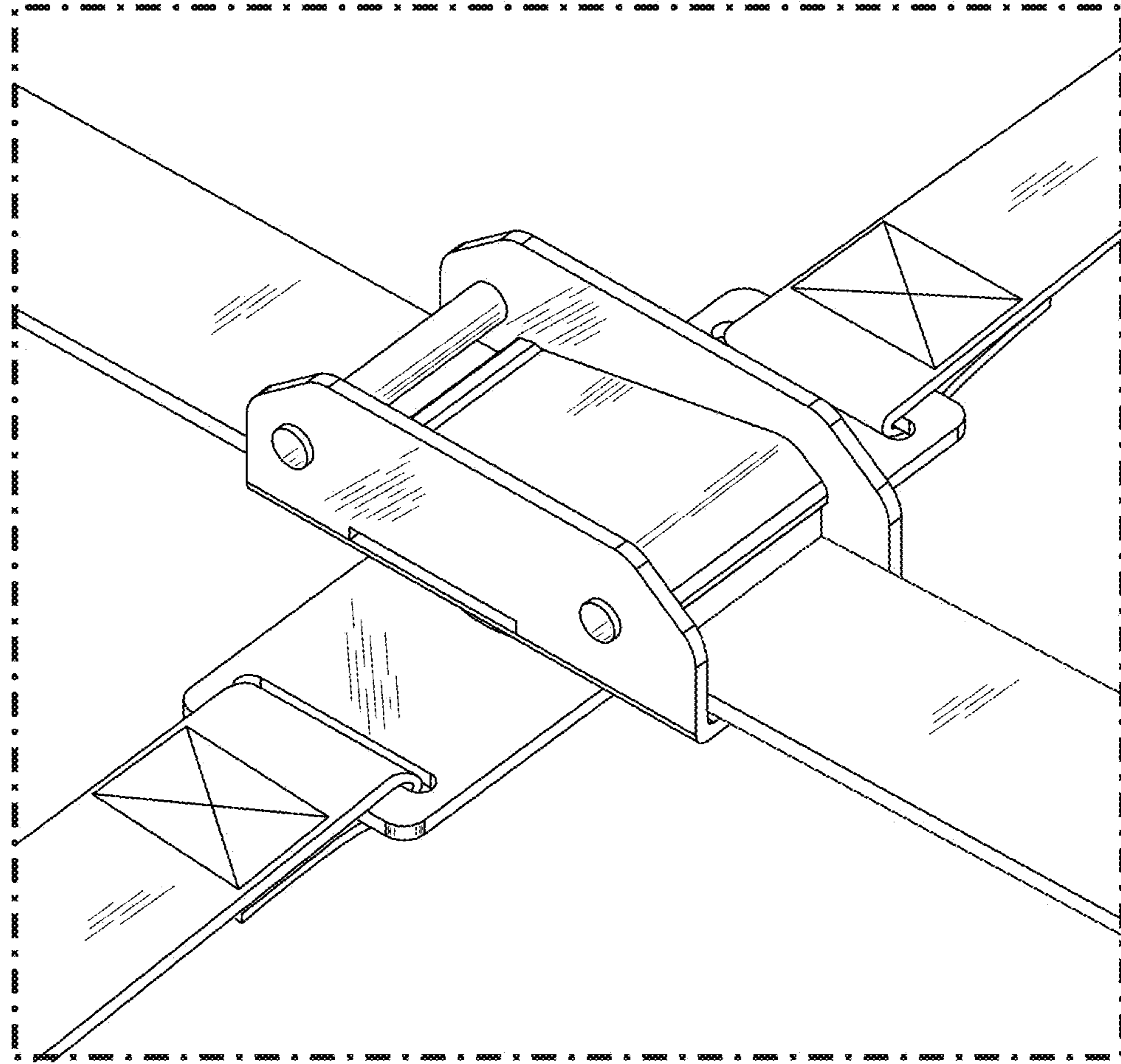


Fig. 14