



US00D749648S

(12) **United States Design Patent**
Jones, Sr. et al.

(10) **Patent No.:** **US D749,648 S**
(45) **Date of Patent:** **** Feb. 16, 2016**

(54) **BALE LIFTER**
(71) Applicants: **Donald C. Jones, Sr.**, Tifton, GA (US);
Alan McLeod, Sycamore, GA (US)
(72) Inventors: **Donald C. Jones, Sr.**, Tifton, GA (US);
Alan McLeod, Sycamore, GA (US)
(73) Assignee: **First Products, Inc.**, Tifton, GA (US)
(**) Term: **14 Years**
(21) Appl. No.: **29/515,912**
(22) Filed: **Jan. 28, 2015**
(51) **LOC (10) Cl.** **15-03**
(52) **U.S. Cl.**
USPC **D15/28**
(58) **Field of Classification Search**
USPC D15/10, 28, 32; 414/24.5, 703, 722,
414/911, 920, 724, 912, 721, 685; 294/61
CPC ... A01D 87/122; A01D 87/12; A01D 87/127;
A01D 87/00; A01D 90/00; B66F 9/12;
B66C 1/00; Y10S 414/133
See application file for complete search history.

5,807,053 A * 9/1998 Pride A01D 87/127
414/24.5
5,829,940 A * 11/1998 Mahaney A01D 87/126
294/105
6,126,985 A 10/2000 Cox
6,971,696 B1 * 12/2005 Koester A01D 87/127
294/120
7,008,162 B2 * 3/2006 Westendorf A01D 87/0076
414/24.5
7,182,568 B2 2/2007 McGinnes
7,753,636 B2 7/2010 Hennig
8,061,956 B2 11/2011 Burenga
8,444,362 B2 * 5/2013 Hennig A01D 87/122
414/24.5
D700,918 S 3/2014 Small
2004/0096307 A1 5/2004 McGinnes
2004/0126217 A1 * 7/2004 Westendorf A01D 87/0076
414/685
2005/0069405 A1 * 3/2005 McGinnes A01D 87/127
414/722
2009/0129895 A1 * 5/2009 Burenga A01D 87/127
414/24.5
2012/0187705 A1 7/2012 Small et al.

FOREIGN PATENT DOCUMENTS

WO 8906499 7/1989

* cited by examiner

Primary Examiner — Mark Goodwin
(74) *Attorney, Agent, or Firm* — Thomas/Horstemeyer, LLP

(57) **CLAIM**
The ornamental design for a bale lifter, as shown and described.

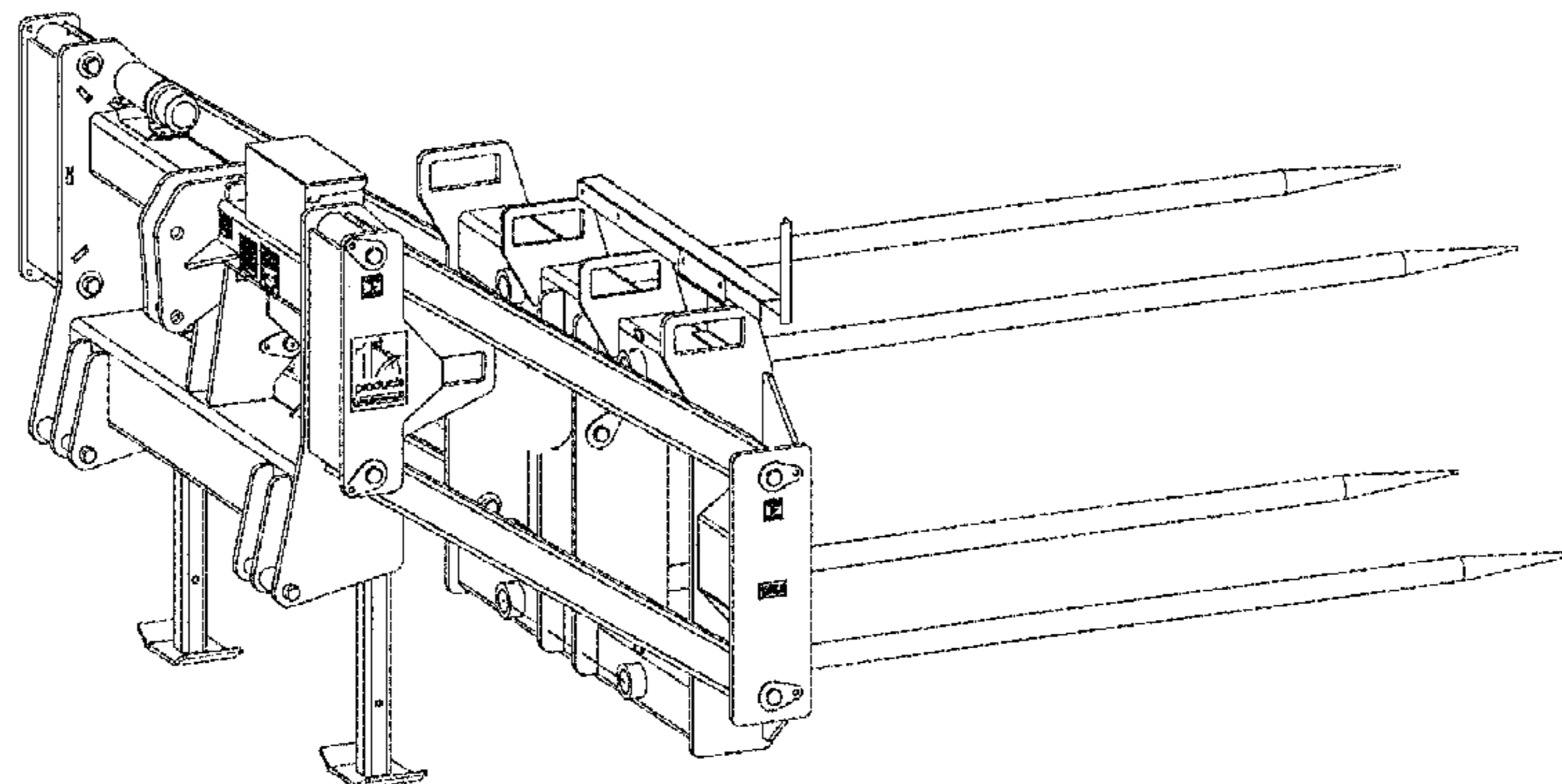
DESCRIPTION

FIG. 1 is a perspective view of the bale lifter, showing the rear, right side, and top thereof, with the support legs distended; FIG. 2 is a perspective view of the bale lifter, showing the front, side and top thereof, with the support legs distended; FIG. 3 is a side elevational view thereof, with the support legs distended; FIG. 4 is a back elevational view thereof, with the support legs distended; FIG. 5 is a front elevational view thereof; FIG. 6 is a top view thereof; and, FIG. 7 is a bottom view thereof.

1 Claim, 7 Drawing Sheets

(56) **References Cited**
U.S. PATENT DOCUMENTS

2,652,939 A 9/1953 Burch
2,868,399 A 1/1959 Fortier
3,416,686 A * 12/1968 Penrod A01D 87/126
414/685
3,921,837 A 11/1975 Vandewater
4,002,147 A 1/1977 Feterl
4,023,690 A 5/1977 Goode
4,032,184 A 6/1977 Blair
4,120,405 A 10/1978 Jones et al.
4,674,786 A * 6/1987 Lynch A01D 87/127
294/120
D292,136 S 9/1987 Burenga
4,850,789 A * 7/1989 Zimmerman B66F 9/061
172/272
4,926,617 A 5/1990 Van Mill
5,129,775 A 7/1992 Coats et al.
5,178,505 A 1/1993 Smith
5,352,080 A 10/1994 Bakke
5,476,356 A * 12/1995 Weiss A01D 87/08
414/24.5
D370,684 S * 6/1996 Johnson D15/32
5,584,636 A * 12/1996 Ramsey A01D 87/122
414/24.5



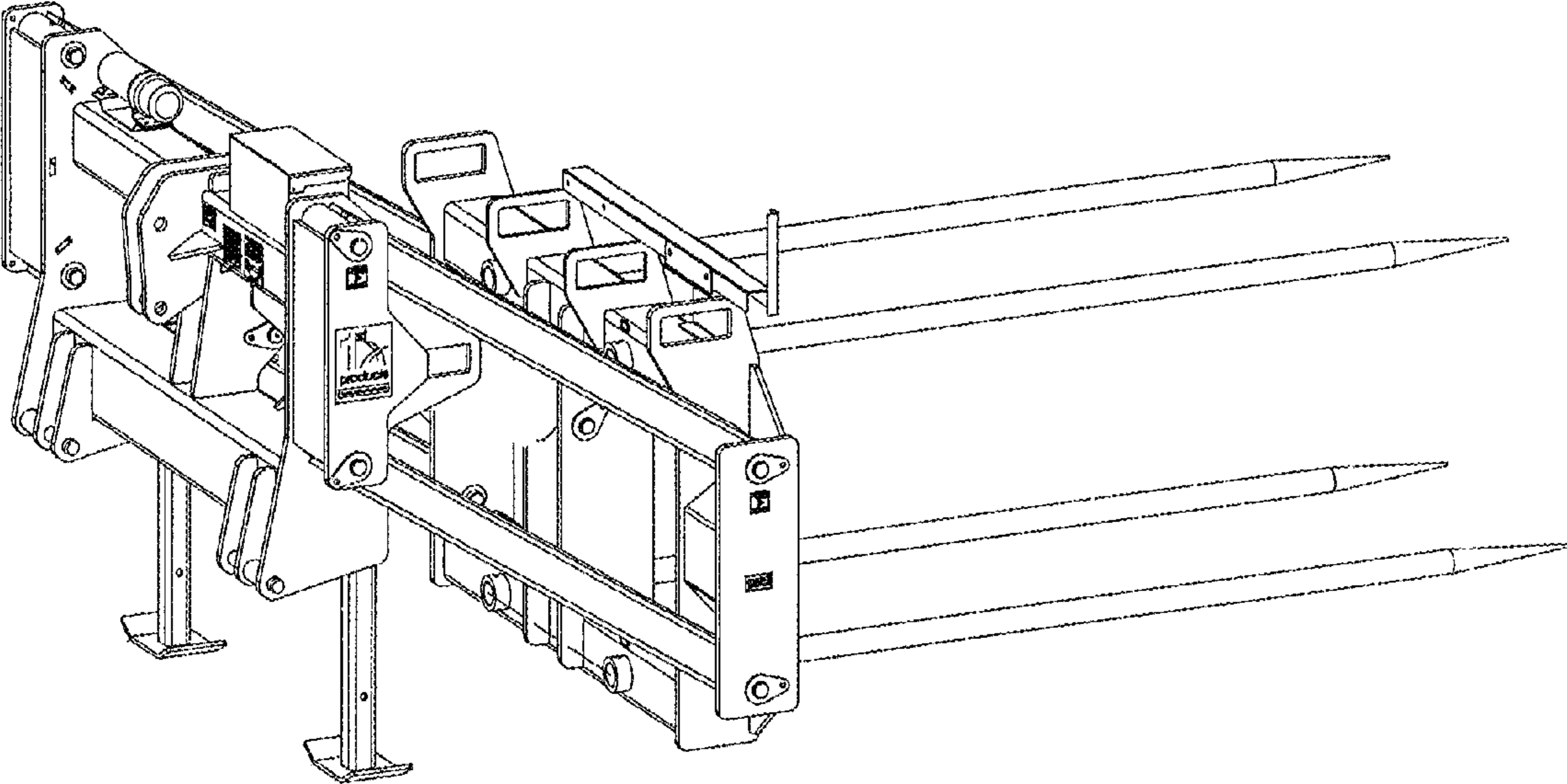


FIGURE 1

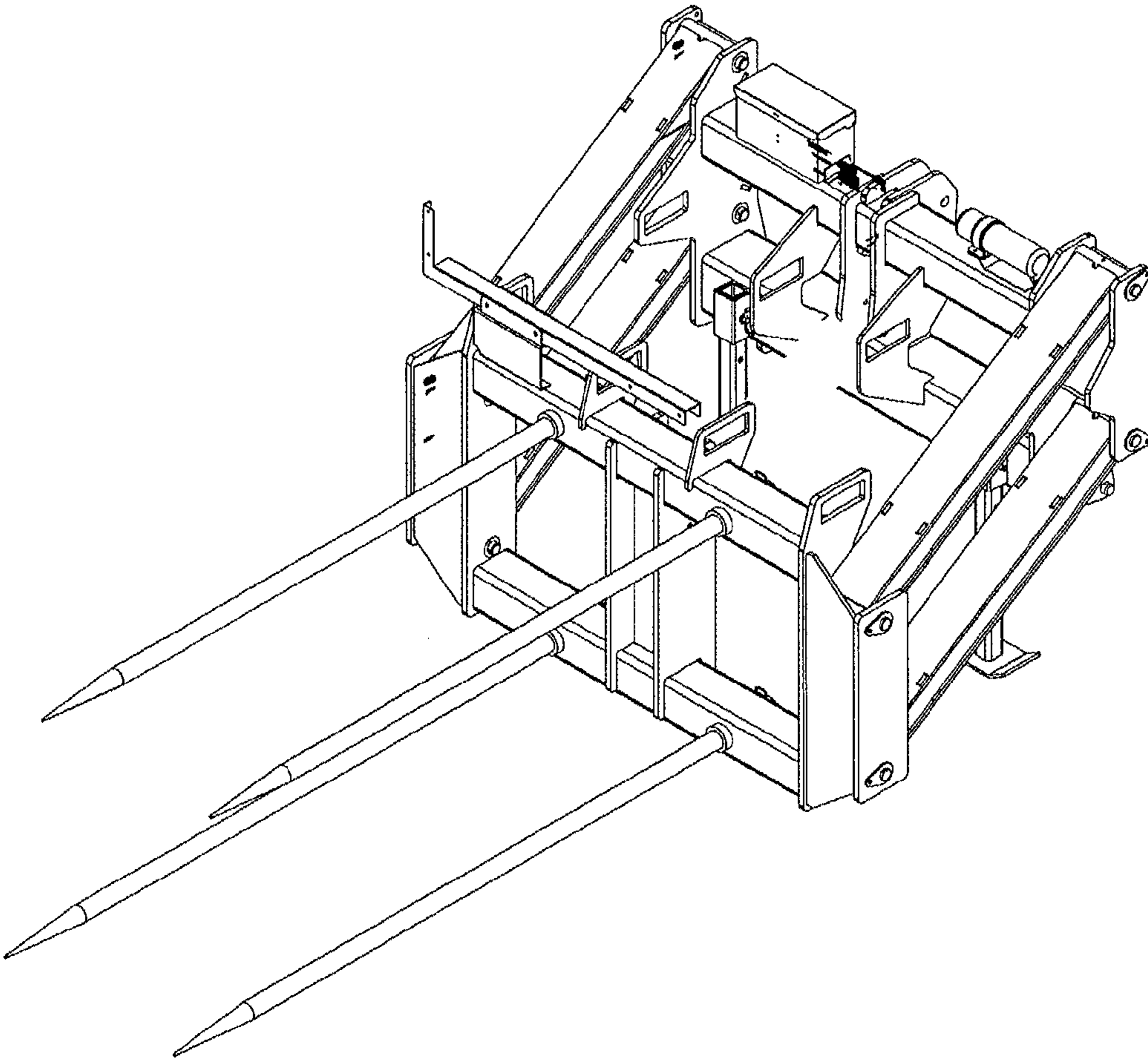


FIGURE 2

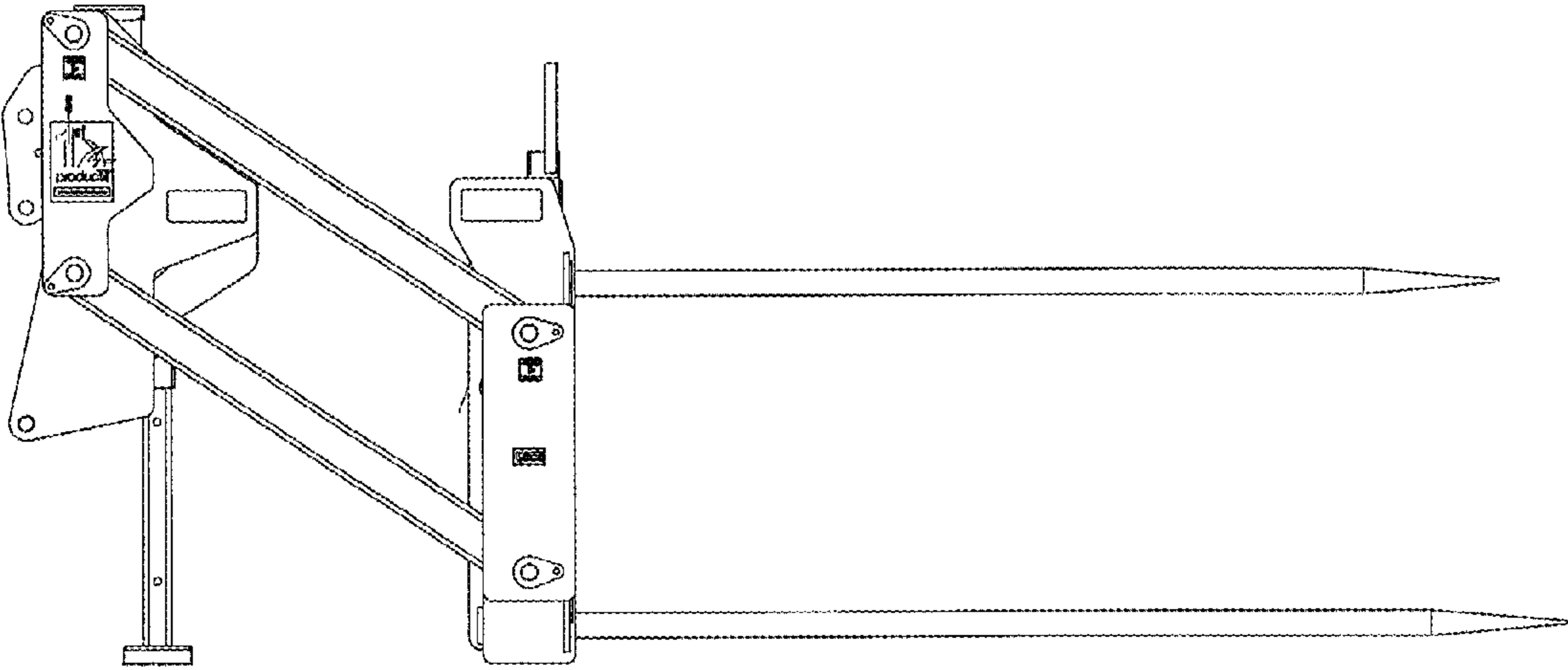


FIGURE 3

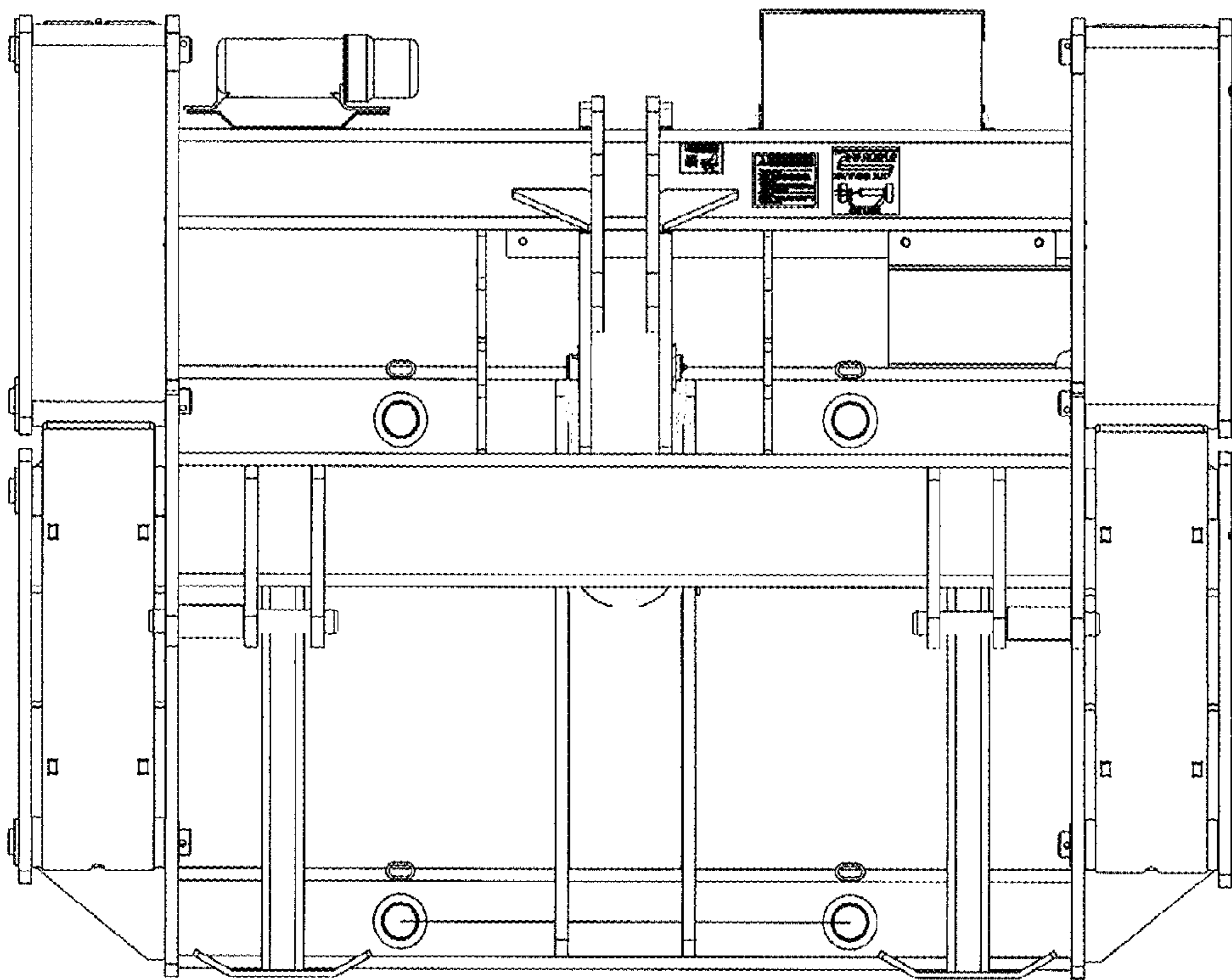


FIGURE 4

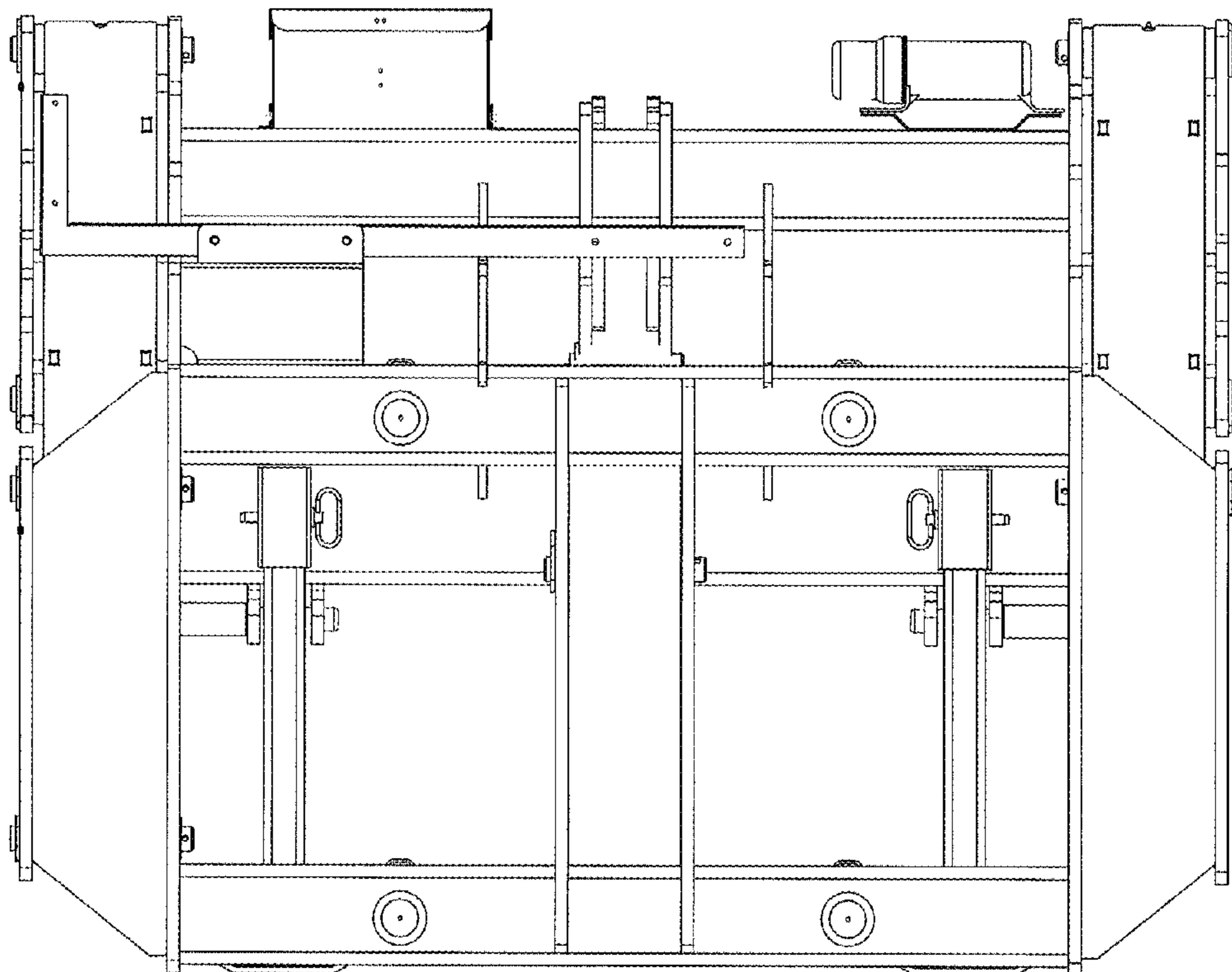


FIGURE 5

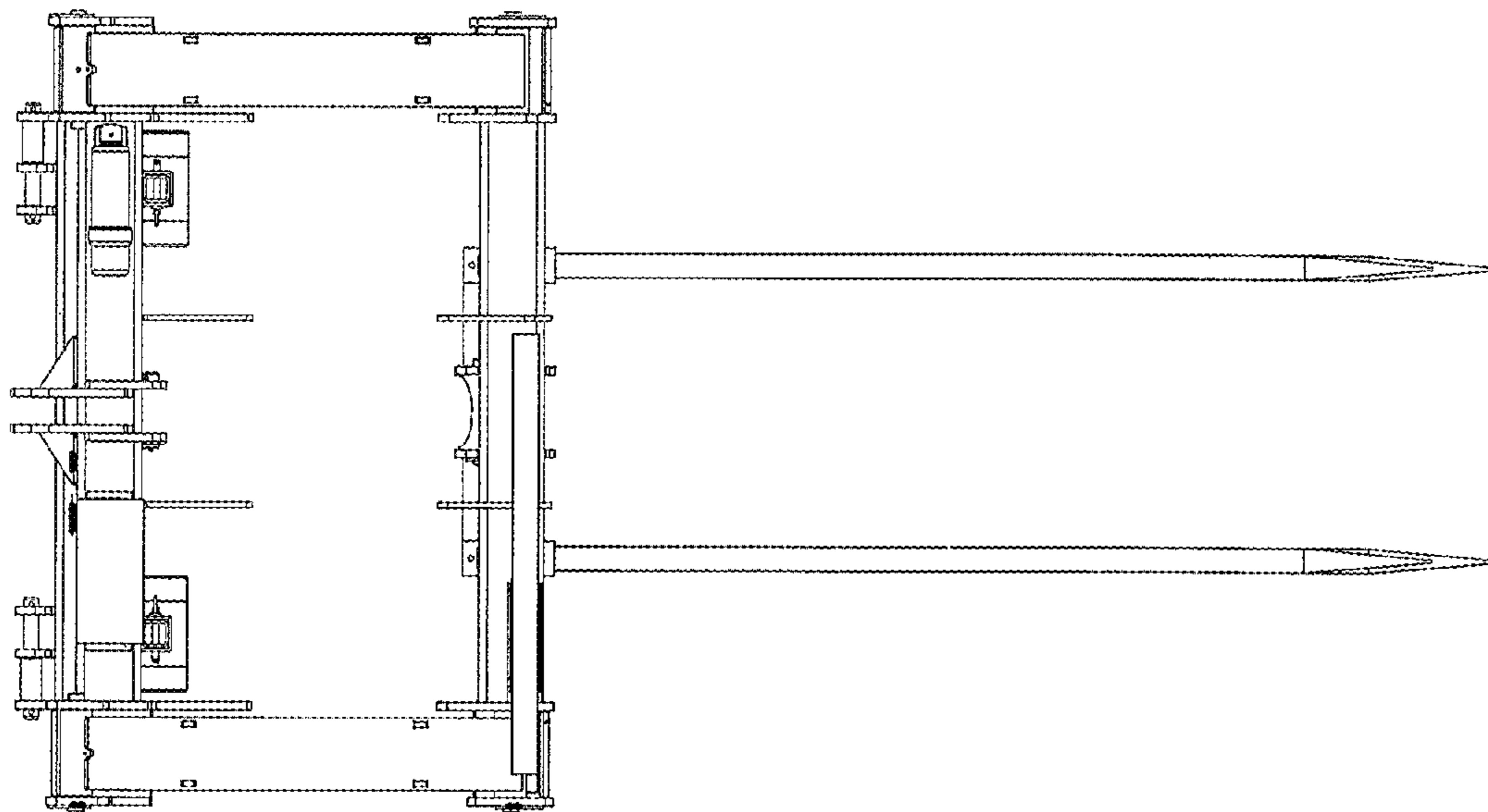


FIGURE 6

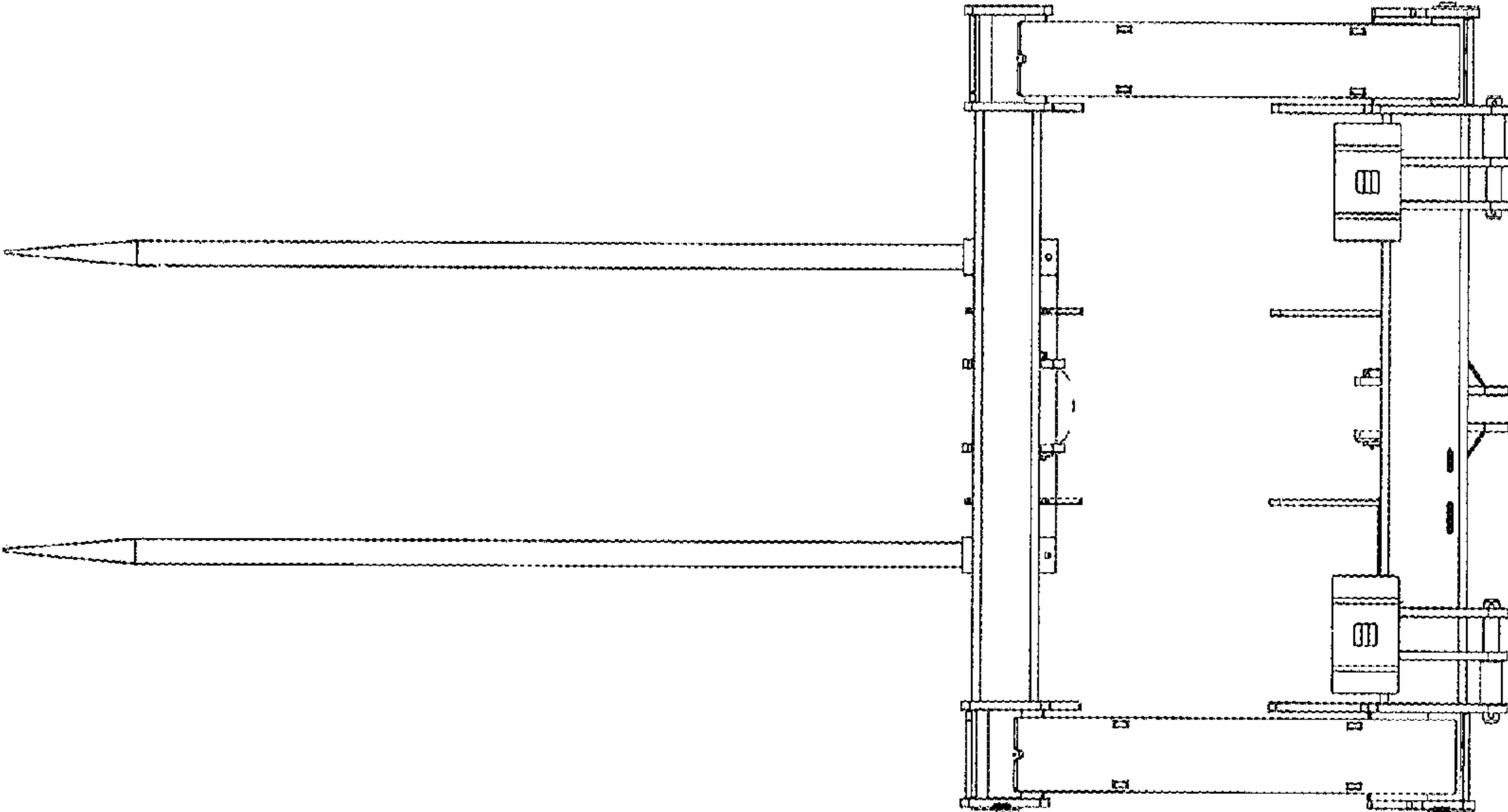


FIGURE 7