



US00D749645S

(12) **United States Design Patent**
Okuyama et al.

(10) **Patent No.:** **US D749,645 S**

(45) **Date of Patent:** **** Feb. 16, 2016**

(54) **TRACTOR**

(71) Applicant: **Yanmar Co., Ltd.**, Osaka (JP)

(72) Inventors: **Kiyoyuki Okuyama**, Yamagata (JP);
Fumio Ishibashi, Osaka (JP)

(73) Assignee: **YANMAR CO., LTD.**, Osaka (JP)

(**) Term: **14 Years**

(21) Appl. No.: **29/503,369**

(22) Filed: **Sep. 25, 2014**

(30) **Foreign Application Priority Data**

Mar. 31, 2014 (JP) D2014-7150

(51) **LOC (10) Cl.** **12-09**

(52) **U.S. Cl.**
USPC **D15/26**

(58) **Field of Classification Search**
USPC D15/10, 14-17, 22-26, 28, 30, 31
CPC B62D 49/00; B62D 49/06; B62D 49/0671
See application file for complete search history.

(56) **References Cited**

U.S. PATENT DOCUMENTS

D225,521 S *	12/1972	Lorenz et al.	D15/23
D247,624 S *	3/1978	Emundts et al.	D15/23
D274,524 S *	7/1984	Koval et al.	D15/23
D329,435 S *	9/1992	Katoh et al.	D15/23
D387,068 S *	12/1997	Kato et al.	D15/23
D391,581 S *	3/1998	Kato et al.	D15/23
6,000,203 A *	12/1999	Weatherbee et al.	56/14.9
D440,234 S *	4/2001	Katoh et al.	D15/23
D498,245 S *	11/2004	Kuwae et al.	D15/23
D519,130 S *	4/2006	Higashikawa et al.	D15/23

D519,131 S *	4/2006	Kuwae et al.	D15/23
D527,026 S *	8/2006	Kuwae et al.	D15/23
D555,674 S *	11/2007	Kuwae et al.	D15/23
D564,544 S *	3/2008	Higashikawa et al.	D15/23
D602,047 S *	10/2009	Kushita et al.	D15/23
D604,749 S *	11/2009	Kushita et al.	D15/23
D641,027 S *	7/2011	Kawashiri et al.	D15/23
D668,270 S *	10/2012	Kushita et al.	D15/23
D674,819 S *	1/2013	Hagele	D15/23
D693,374 S *	11/2013	Chlystek et al.	D15/23
D693,375 S *	11/2013	Chlystek et al.	D15/23
D703,699 S *	4/2014	Shimomura et al.	D15/23
D708,232 S *	7/2014	Furuki et al.	D15/23
D729,851 S *	5/2015	Kushita et al.	D15/23

* cited by examiner

Primary Examiner — Mitchell Siegel

(74) *Attorney, Agent, or Firm* — Sterne, Kessler, Goldstein and Fox P.L.L.C.

(57) **CLAIM**

The ornamental design for a tractor, as shown and described.

DESCRIPTION

FIG. 1 is a top perspective view of a tractor showing our new design;

FIG. 2 is a front view thereof;

FIG. 3 is a rear view thereof;

FIG. 4 is a top plan view thereof;

FIG. 5 is a bottom plan view thereof;

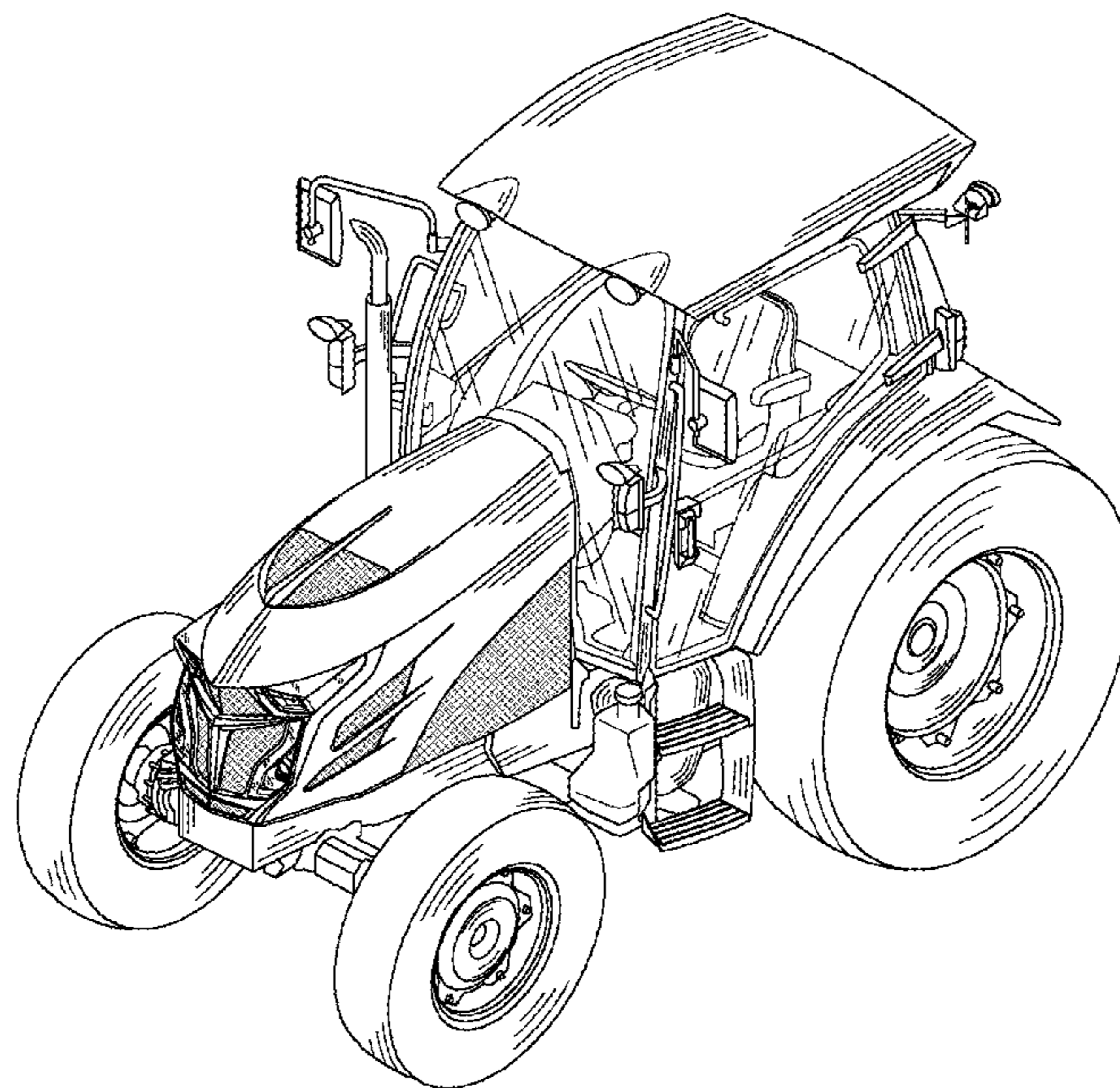
FIG. 6 is a left side view thereof; and,

FIG. 7 is a right side view thereof.

The oblique shade lines in the Figures show transparency and not surface ornamentation.

The grey shading in the Figures represents surface ornamentation.

1 Claim, 7 Drawing Sheets



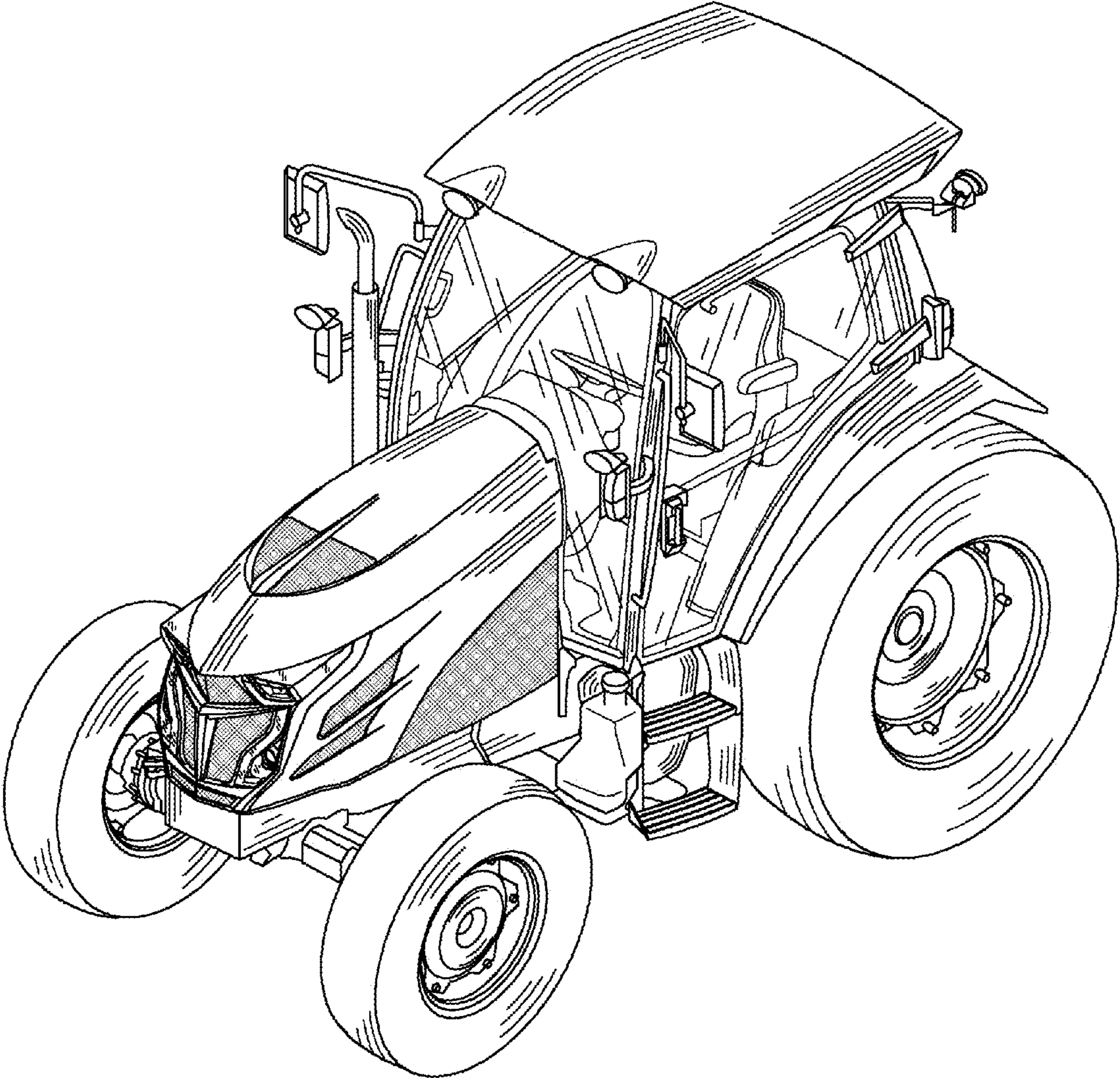


FIG. 1

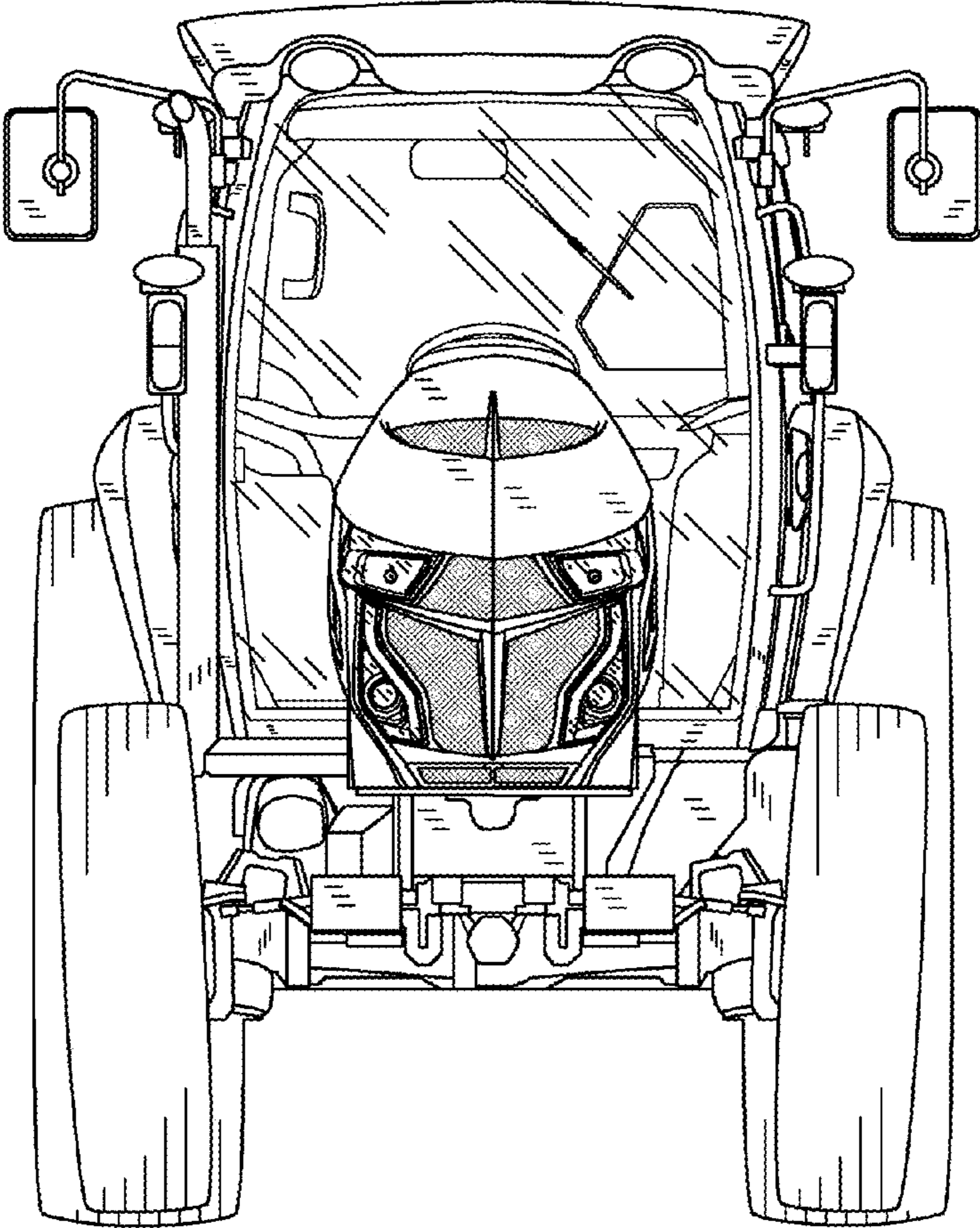


FIG. 2

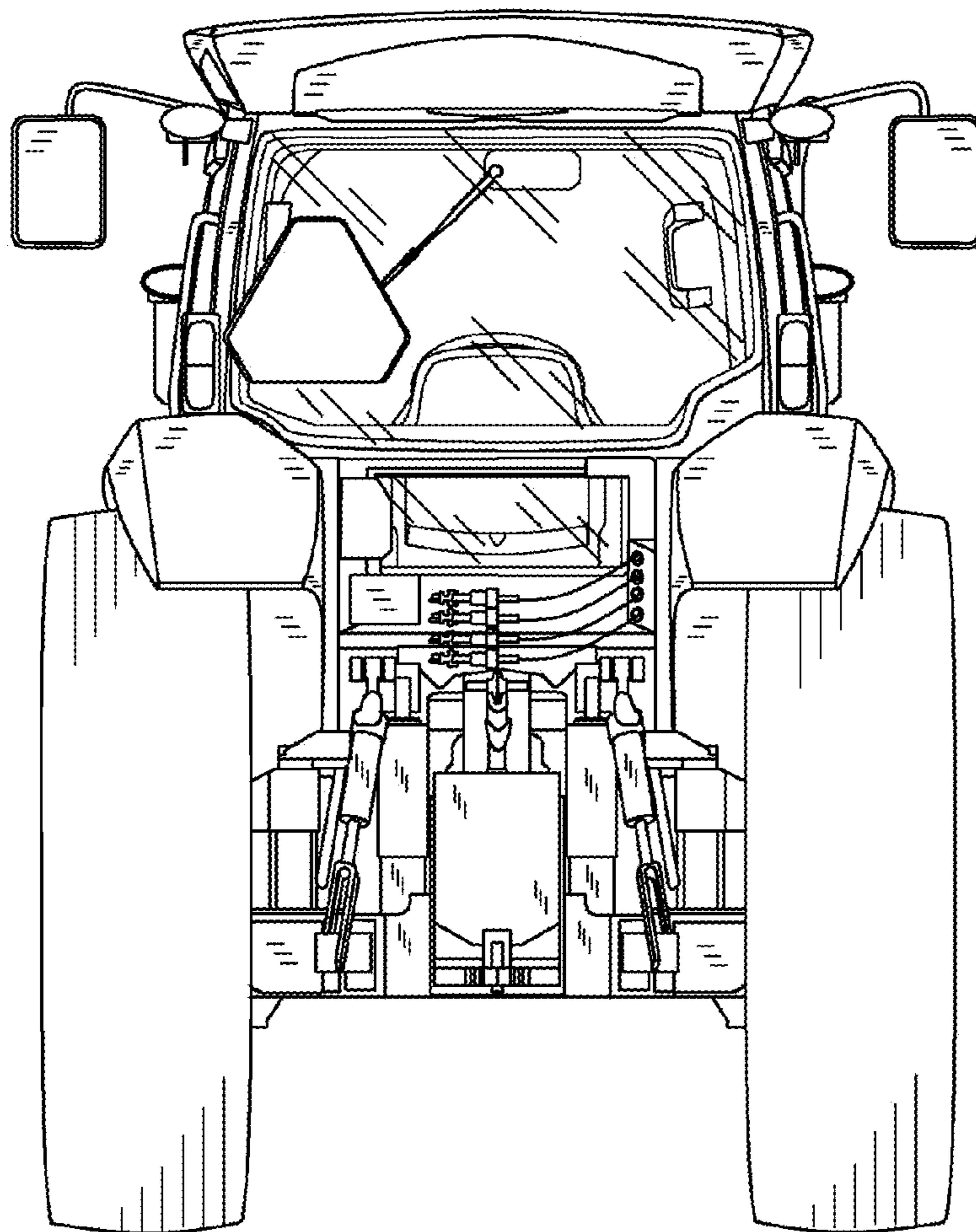


FIG. 3

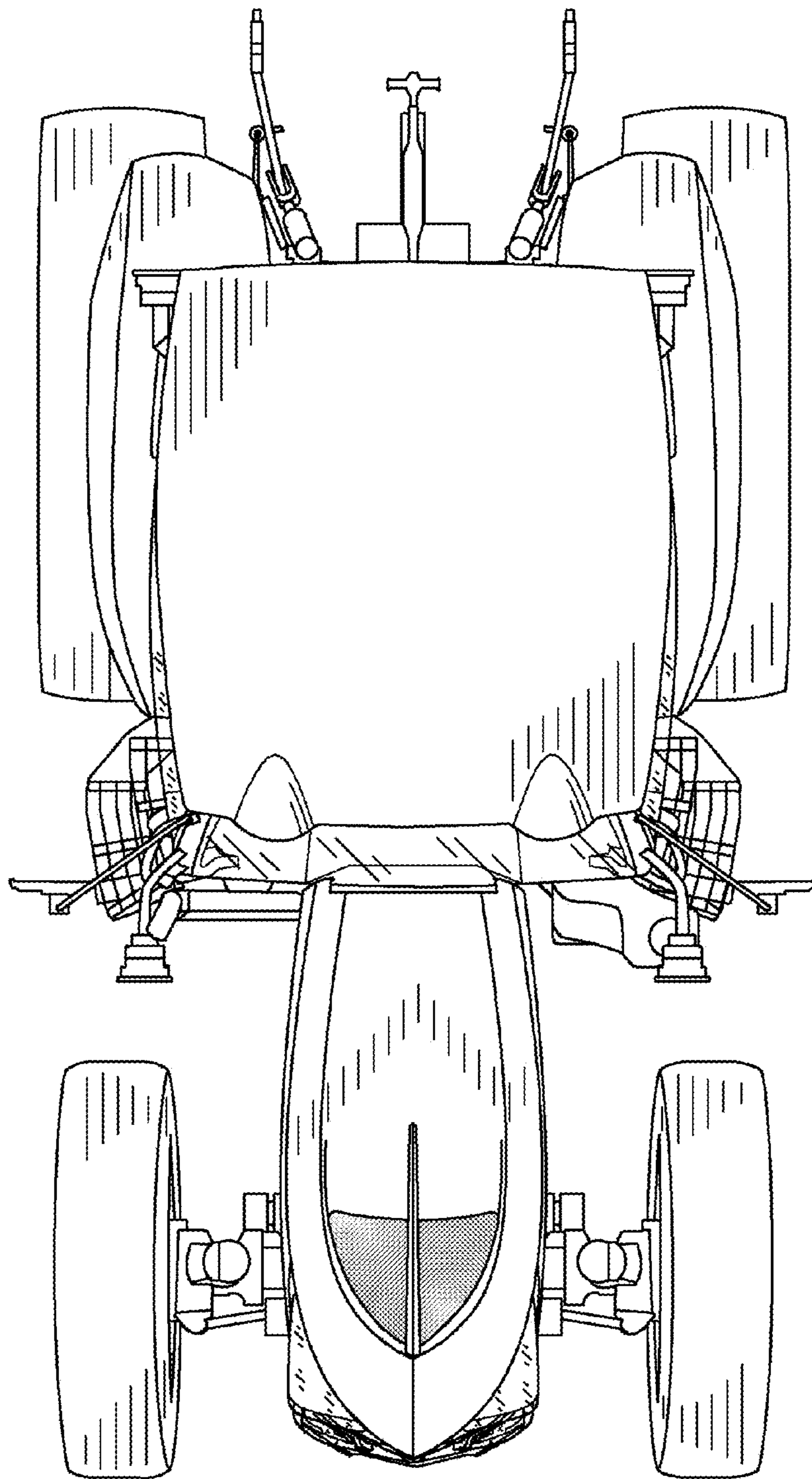


FIG. 4

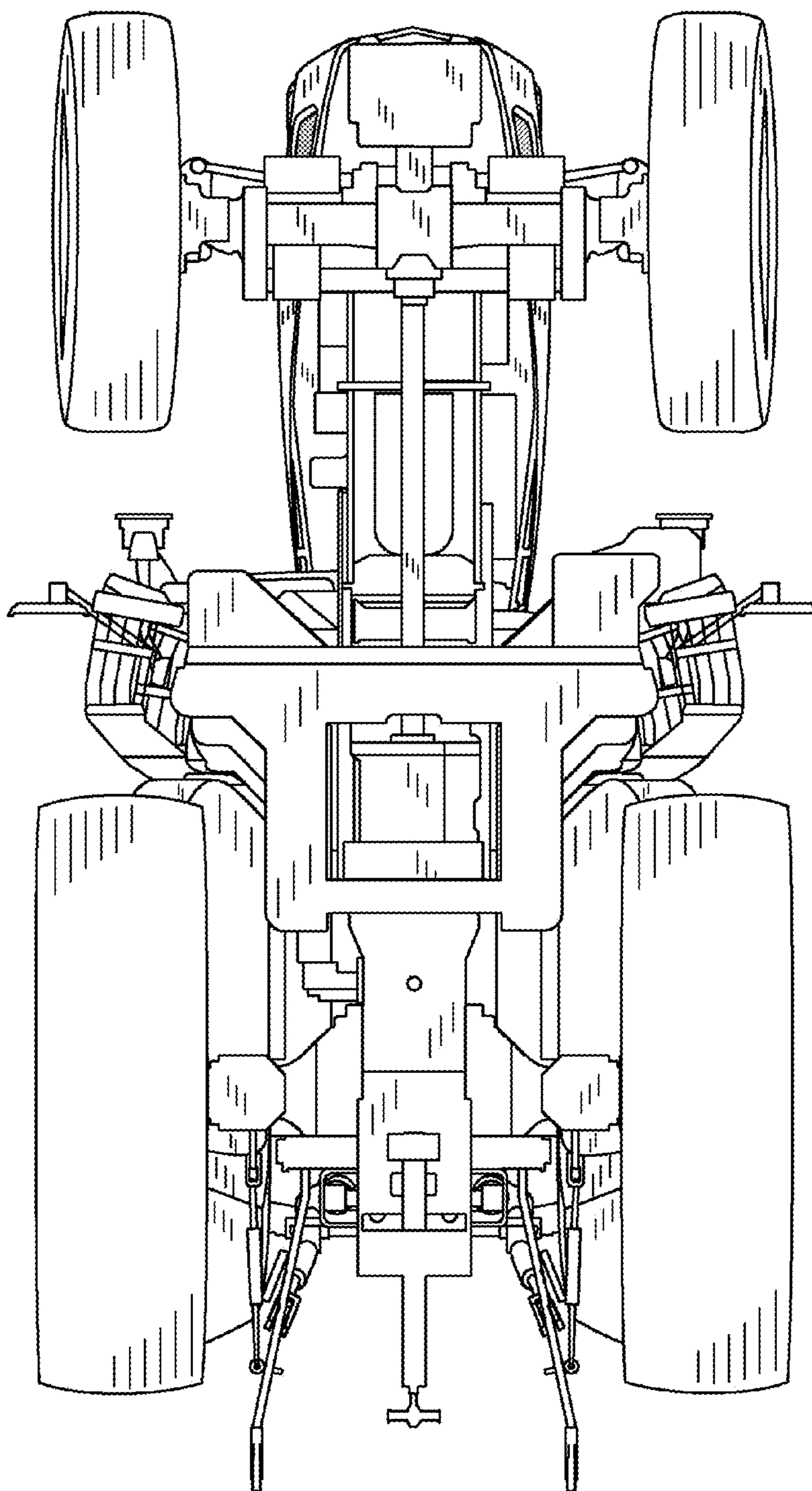


FIG. 5

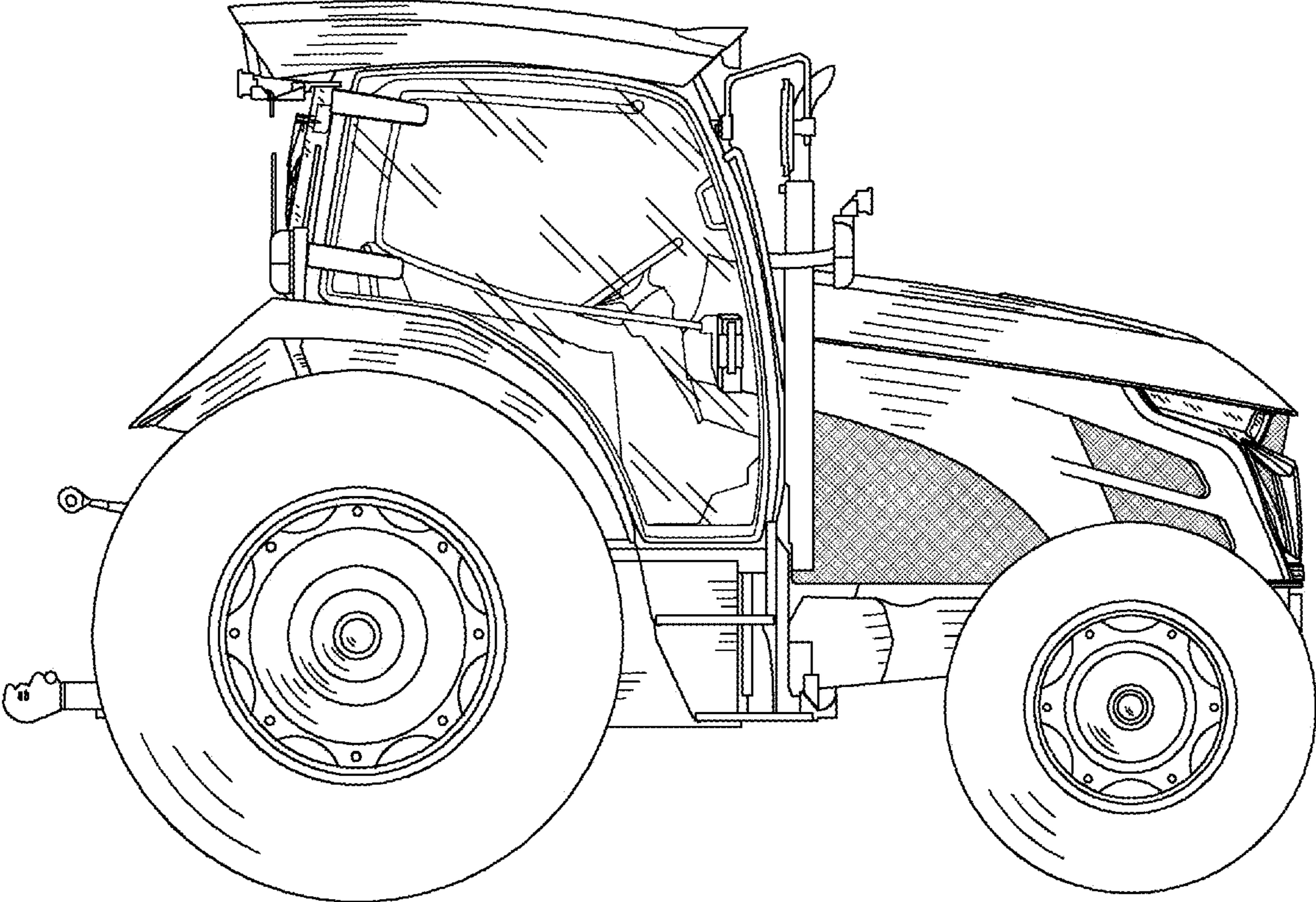


FIG. 6

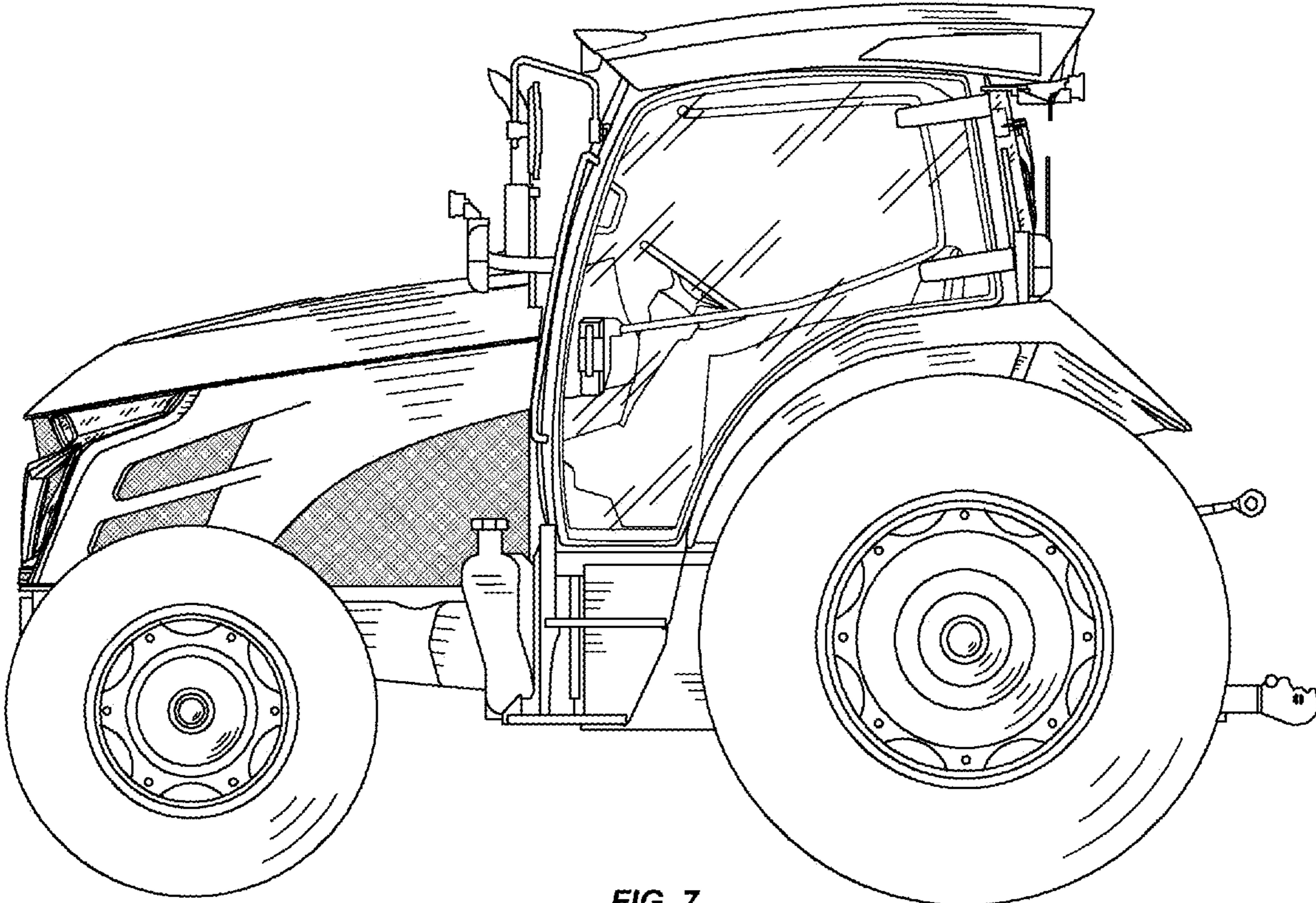


FIG. 7