



US00D749644S

(12) **United States Design Patent**
Redden et al.

(10) **Patent No.:** **US D749,644 S**
(45) **Date of Patent:** **** Feb. 16, 2016**

(54) **SUBSEA DUAL HOUSING ASSEMBLY**

(71) Applicants: **David B. Redden**, Waverly (CA); **Frank McCormack**, South East (CA); **Larry E. Huskins**, Milton (CA)

(72) Inventors: **David B. Redden**, Waverly (CA); **Frank McCormack**, South East (CA); **Larry E. Huskins**, Milton (CA)

(**) Term: **14 Years**

(21) Appl. No.: **29/507,537**

(22) Filed: **Oct. 28, 2014**

(51) **LOC (10) Cl.** **15-04**

(52) **U.S. Cl.**

USPC **D15/21**

(58) **Field of Classification Search**

USPC D15/21, 28, 10

CPC E21B 33/00; E21B 33/038; E21B 33/035;

E21B 33/064

See application file for complete search history.

(56) **References Cited**

U.S. PATENT DOCUMENTS

6,408,947 B1 * 6/2002 Cunningham E21B 33/035

166/339

7,921,917 B2 * 4/2011 Kotrla E21B 33/035

166/339

8,881,829 B2 * 11/2014 Redden E21B 33/064

166/338

2006/0124314 A1 * 6/2006 Haheim E21B 19/22

2010/0300700 A1 * 12/2010 Garbett E21B 33/038

166/368

2012/0175125 A1 * 7/2012 Krohn E21B 33/0355

166/344

* cited by examiner

Primary Examiner — Mitchell Siegel

(74) *Attorney, Agent, or Firm* — Dean A. Craine

(57) **CLAIM**

The ornamental design for subsea dual housing assembly, as shown and described.

DESCRIPTION

FIG. 1 is a front perspective view of a subsea dual housing assembly in an assembled configuration.

FIG. 2 is a front elevational view of the subsea dual housing assembly in an assembled configuration.

FIG. 3 is a sectional side elevational view of the subsea dual housing assembly in an assembled configuration shown in FIG. 3.

FIG. 4 is a top plan view of the subsea dual housing assembly; and,

FIG. 5 is a bottom plan view of the subsea dual housing assembly.

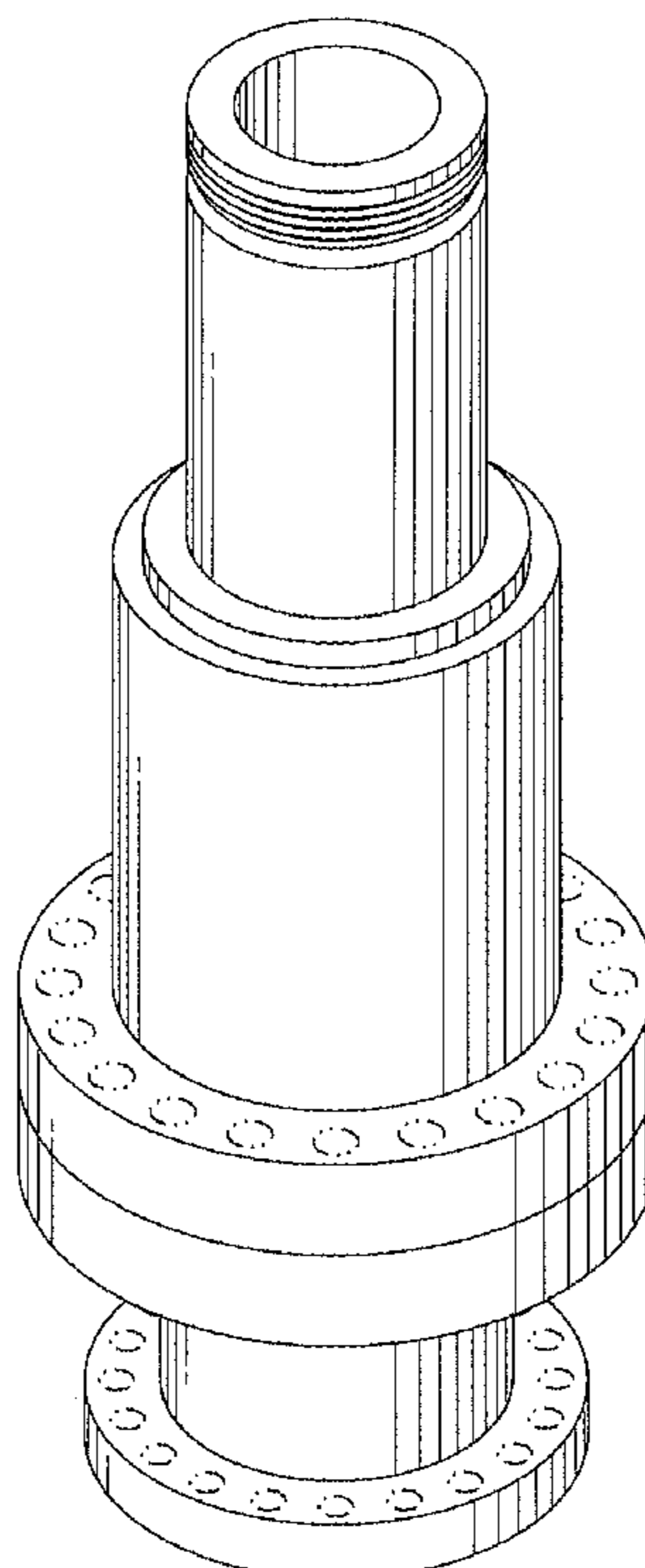
FIG. 6 is an exploded front perspective view of a subsea dual housing assembly shown in FIGS. 1-5.

FIG. 7 is an exploded side elevational view of the exploded subsea dual housing assembly shown in FIG. 6; and,

FIG. 8 is a sectional side elevational view of the exploded subsea dual housing assembly shown in FIGS. 6 and 7.

The broken line showing is included for the purpose of illustrating and forms no part of the claimed design.

1 Claim, 4 Drawing Sheets



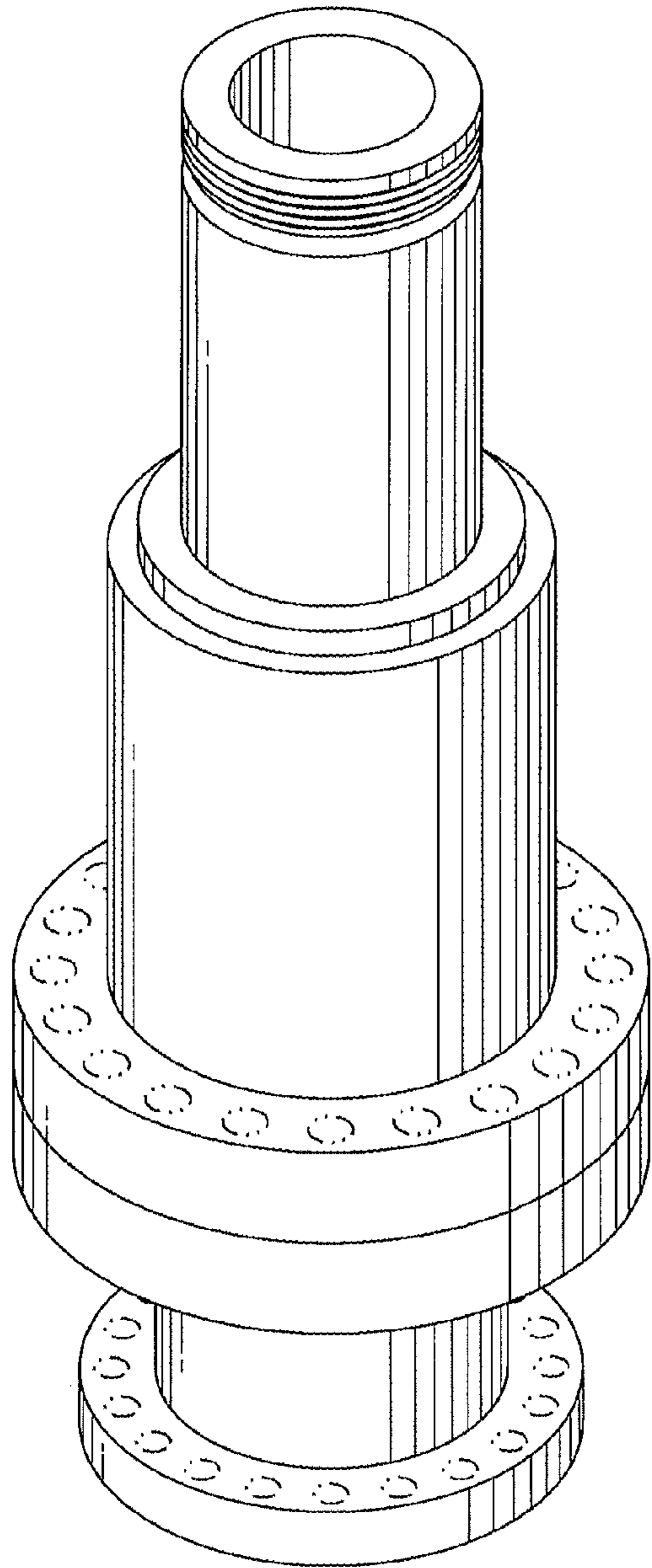


Fig. 1

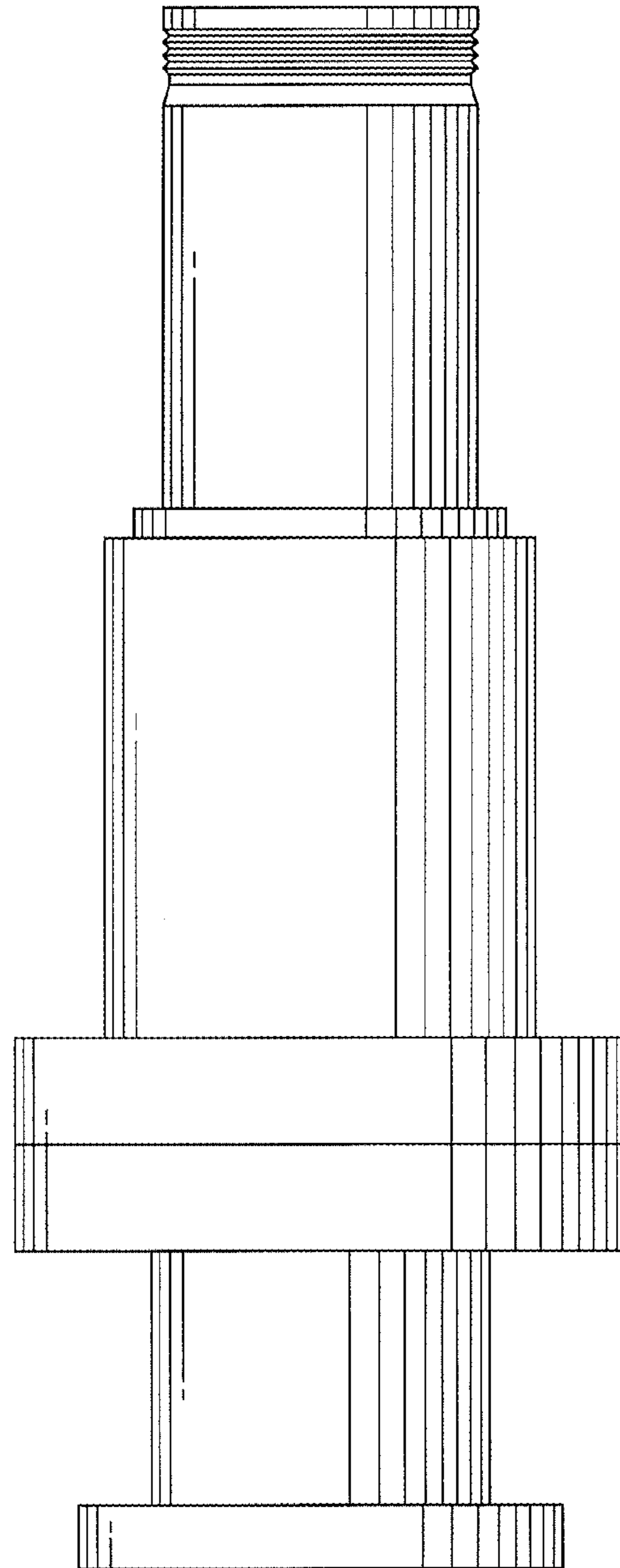


Fig. 2

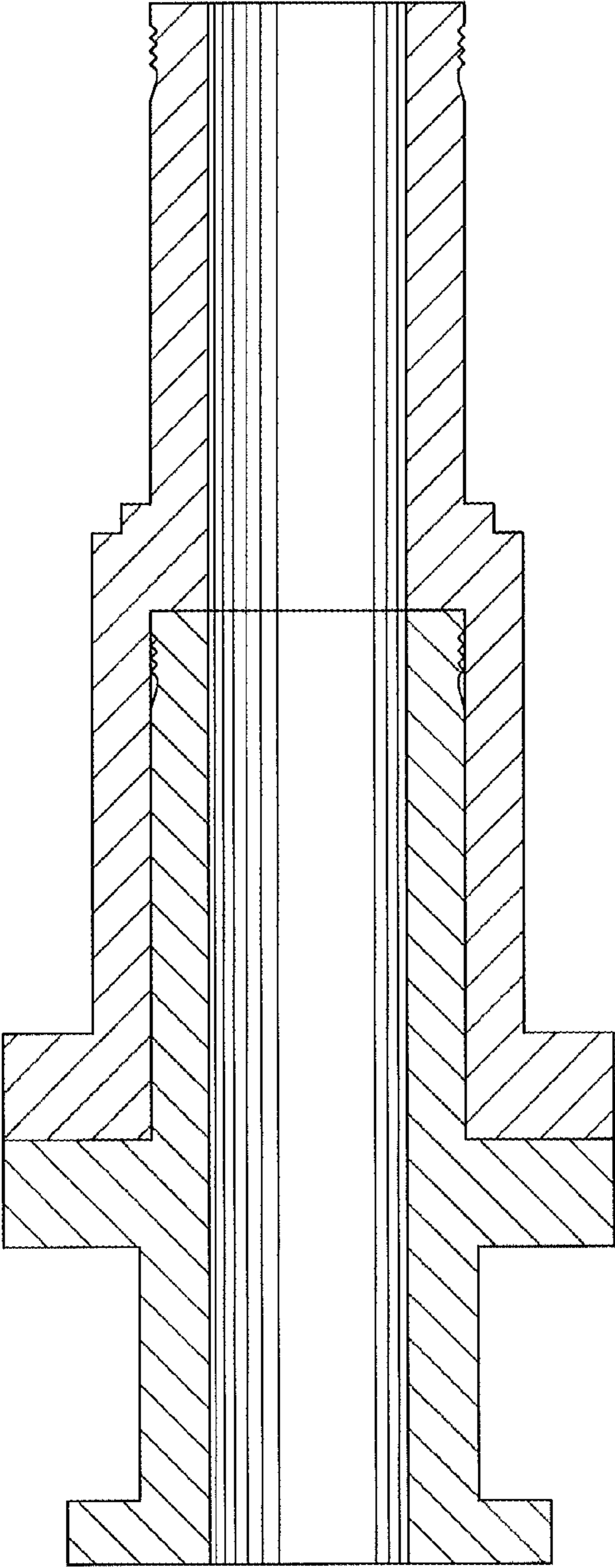


Fig. 3

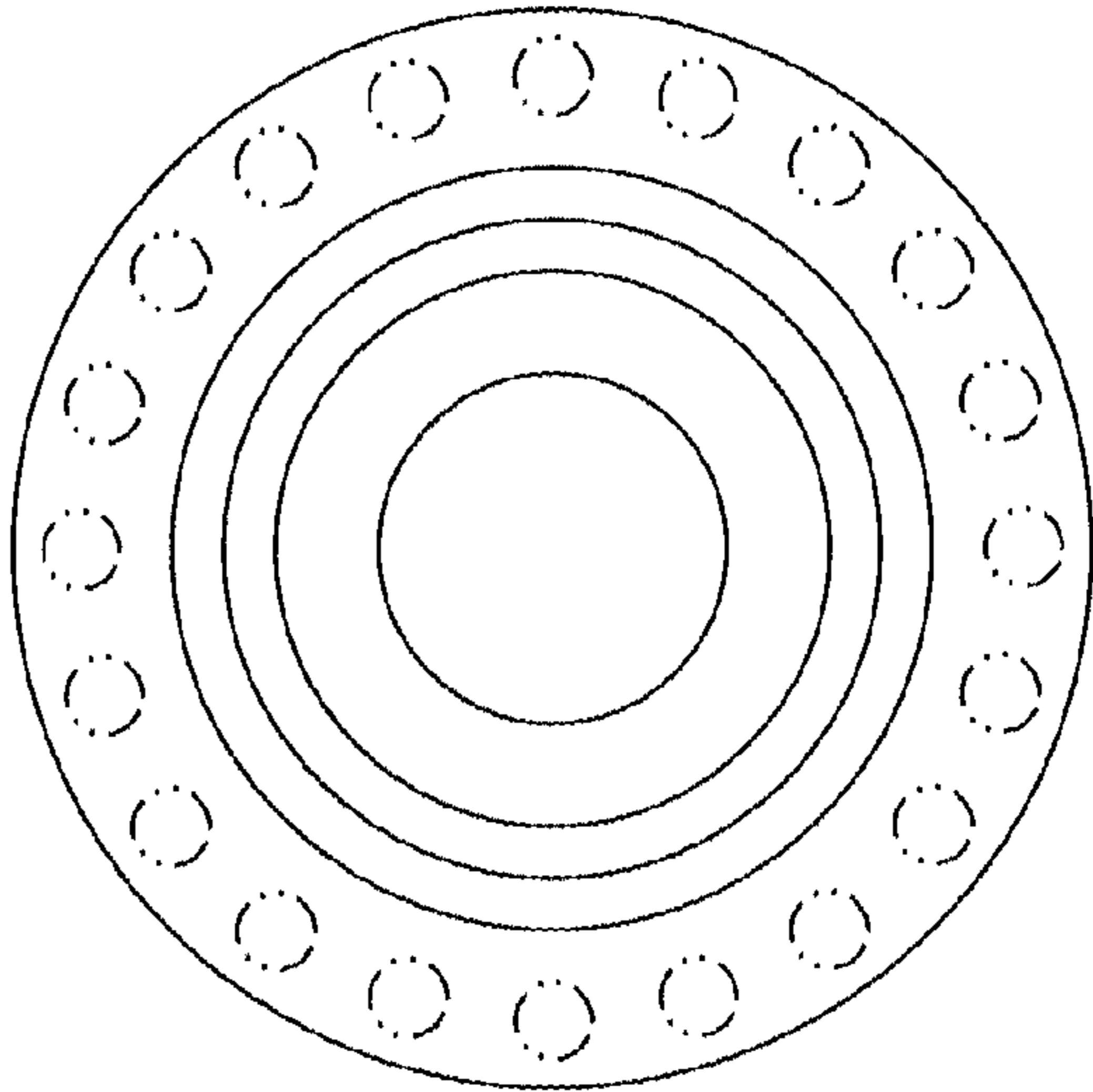


Fig. 4

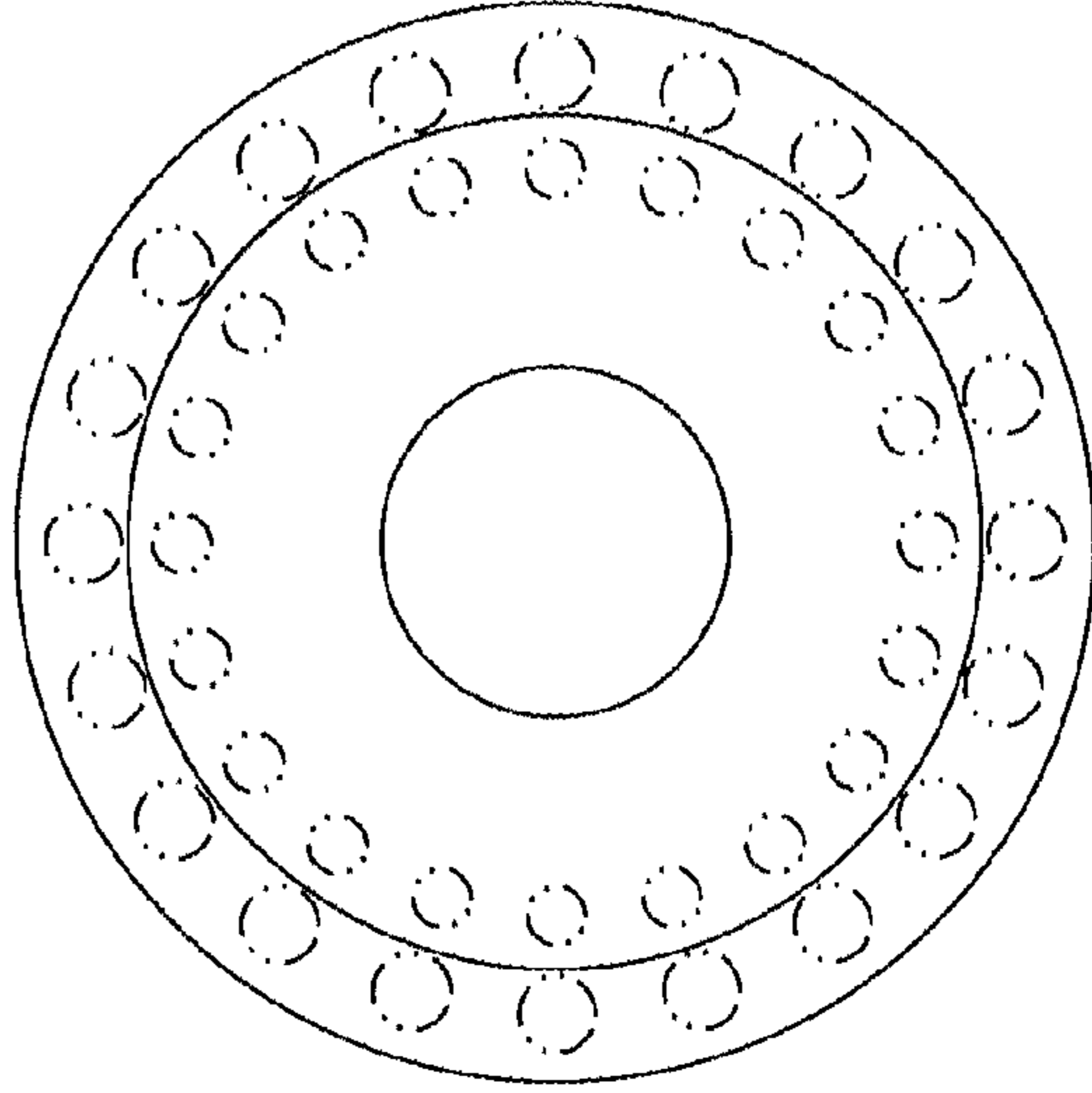


Fig. 5

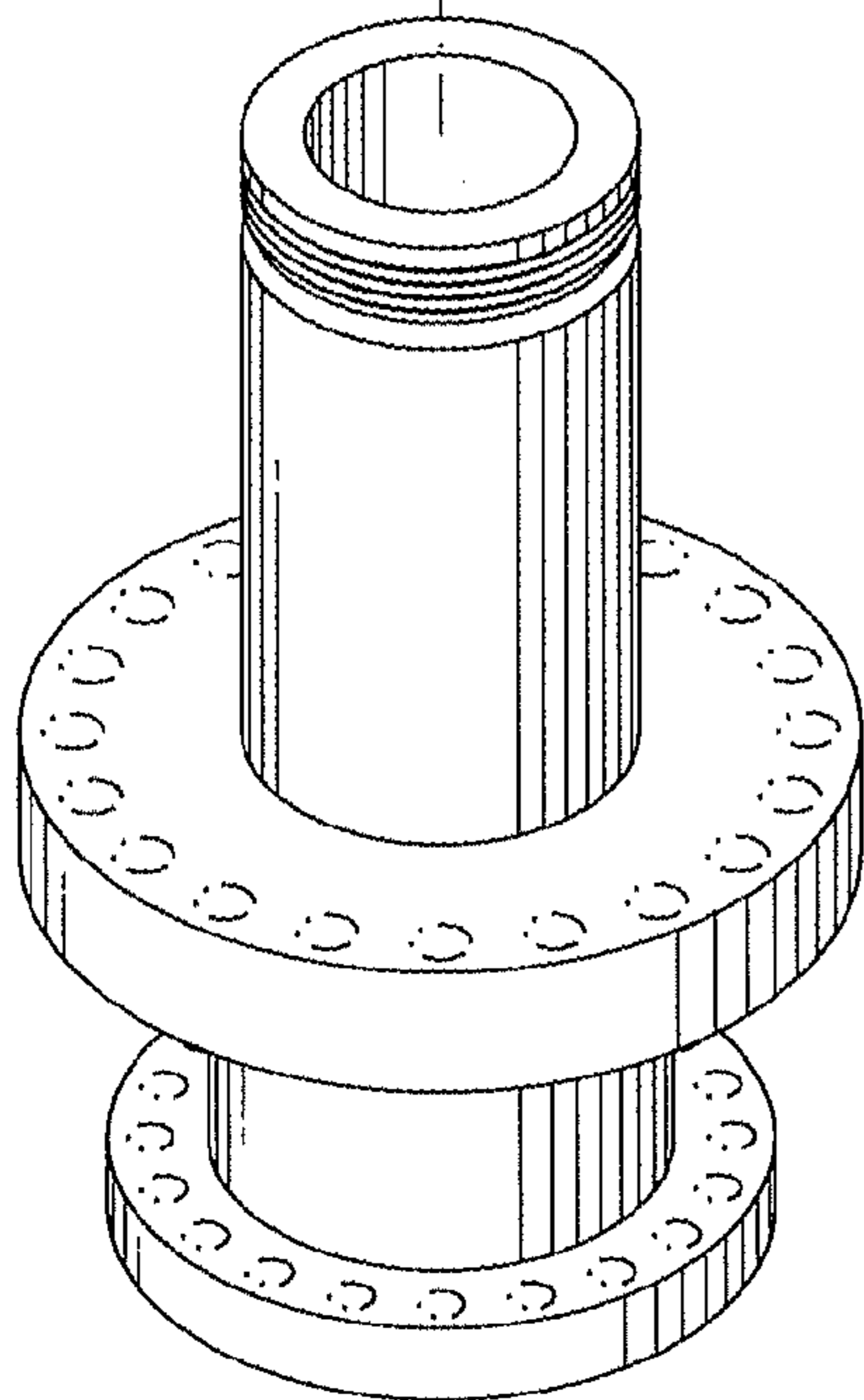
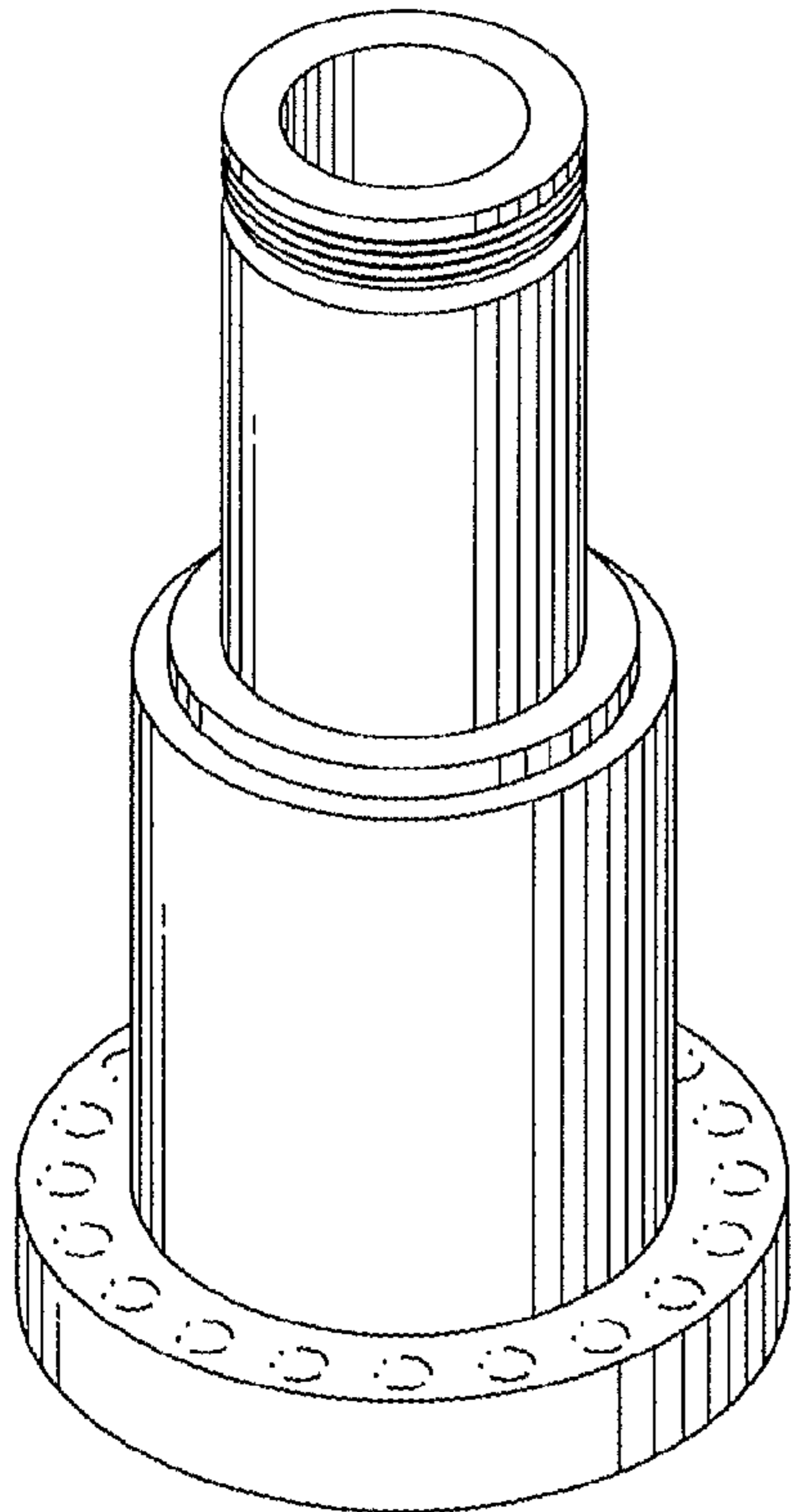


Fig. 6

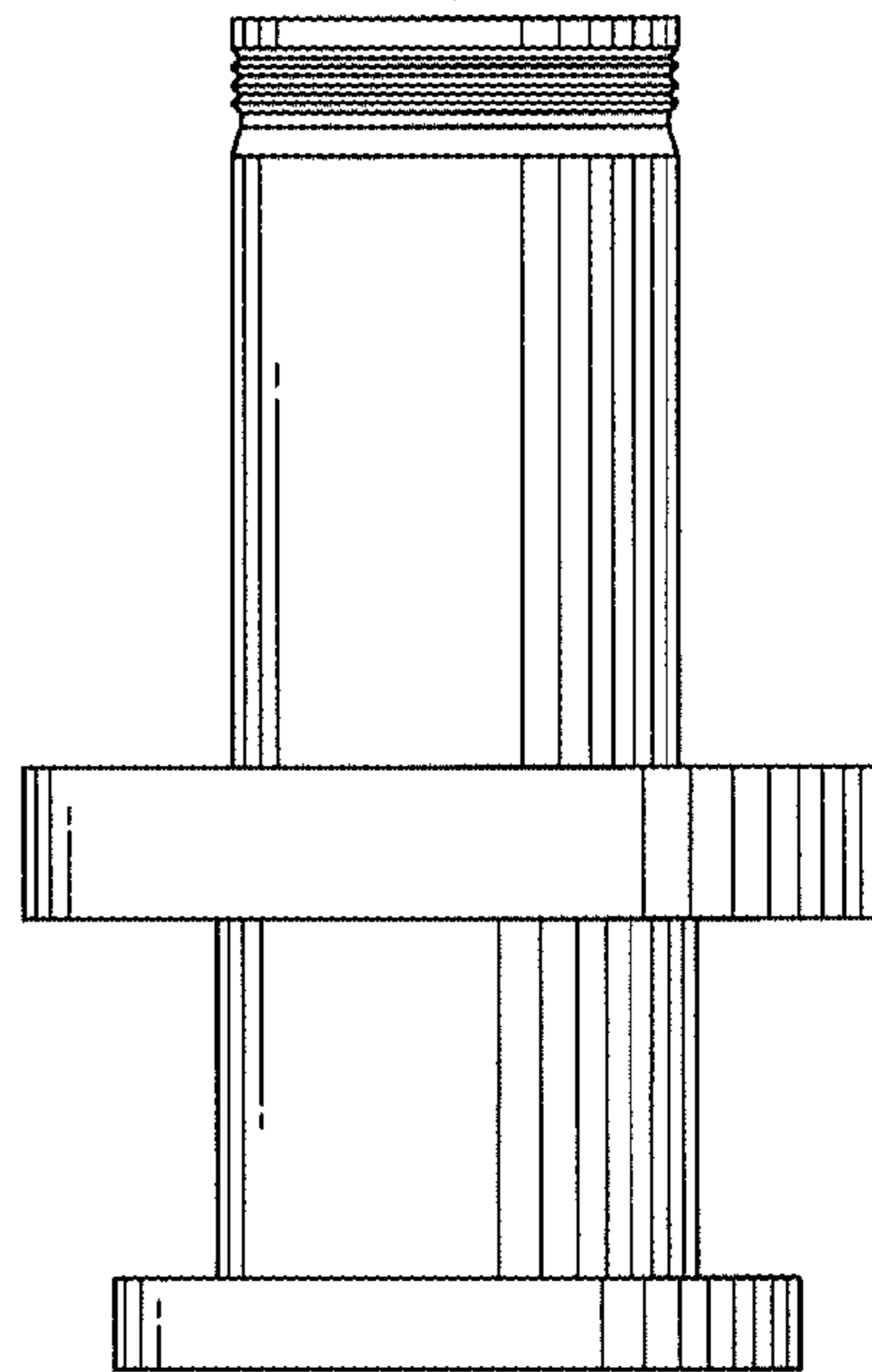
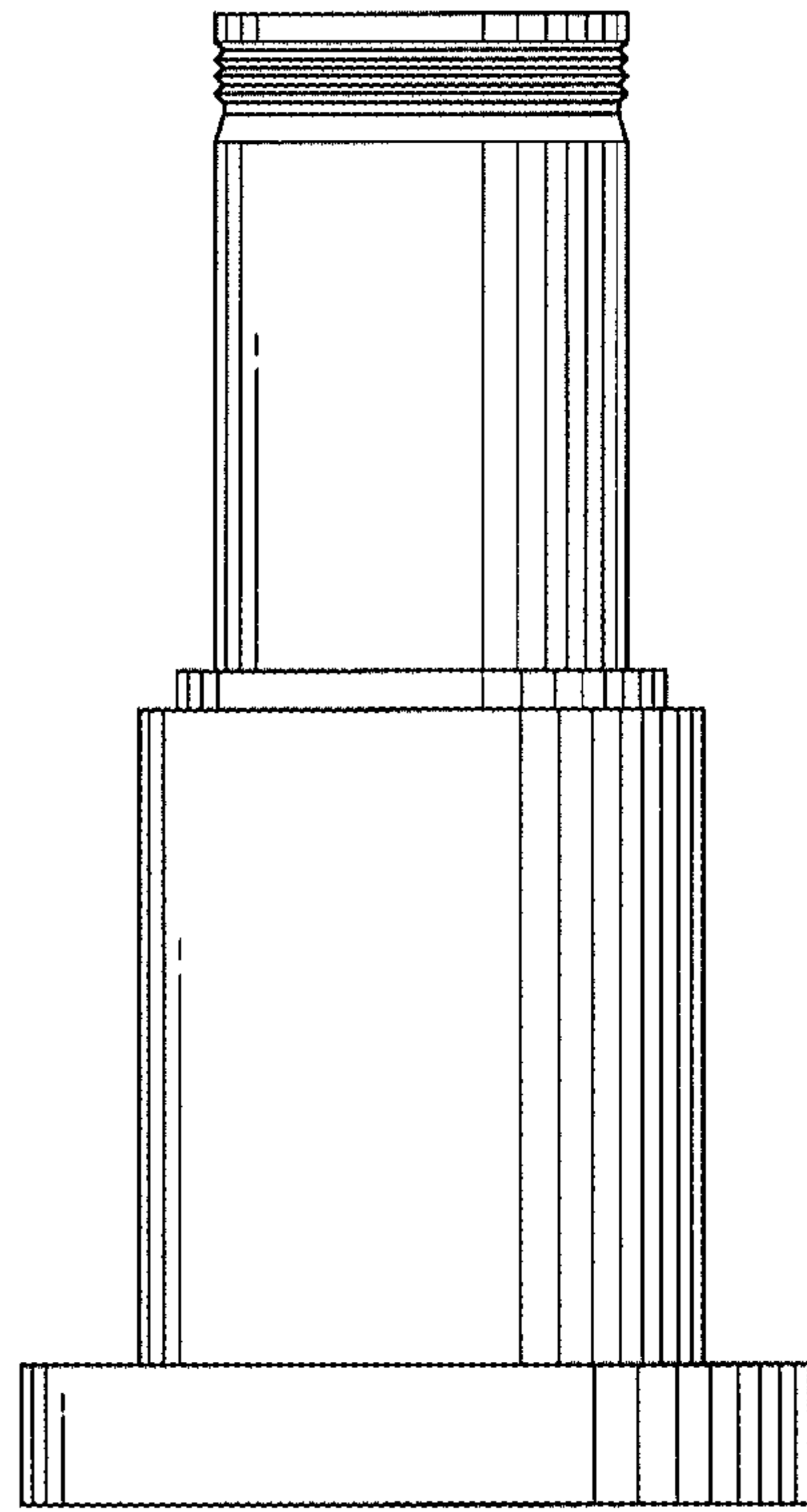


Fig. 7

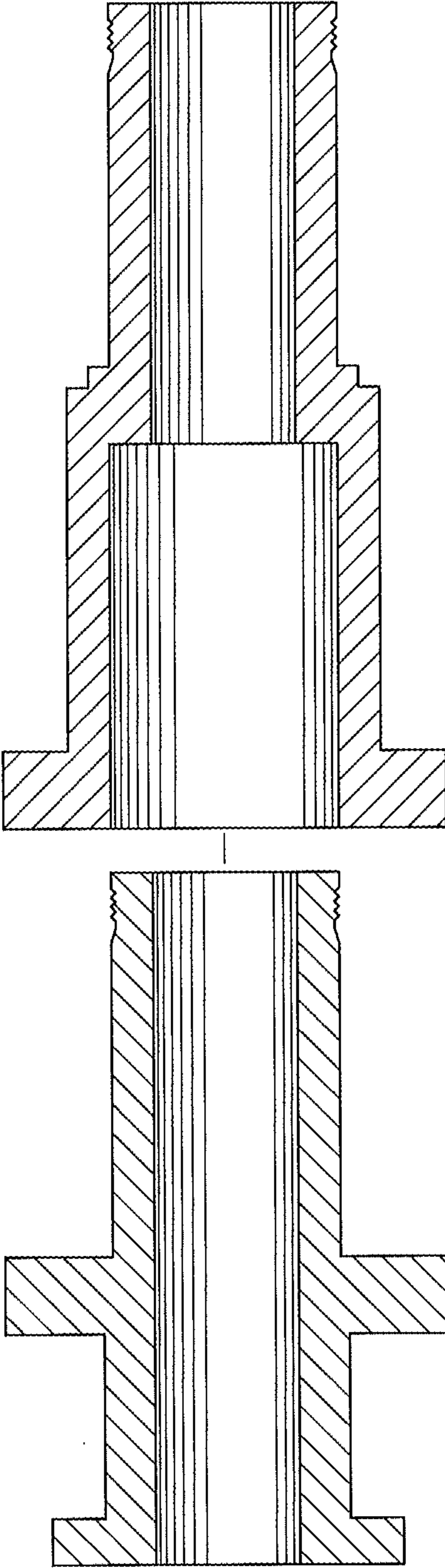


Fig. 8