



US00D749643S

(12) **United States Design Patent**  
**Craig et al.**

(10) **Patent No.:** **US D749,643 S**

(45) **Date of Patent:** **\*\* Feb. 16, 2016**

(54) **AIR COMPRESSOR**  
(71) Applicant: **Black & Decker Inc.**, Newark, DE (US)  
(72) Inventors: **Scott D. Craig**, Jackson, TN (US); **Jeff Akins**, Towson, MD (US)  
(73) Assignee: **Black & Decker Inc.**, Newark, DE (US)  
(\*\*) Term: **14 Years**

(21) Appl. No.: **29/509,857**

(22) Filed: **Nov. 21, 2014**

(51) **LOC (10) Cl.** ..... **15-02**

(52) **U.S. Cl.**  
USPC ..... **D15/9**

(58) **Field of Classification Search**  
USPC ..... D15/7-9; D23/231, 232, 225; 417/60, 417/235, 265, 321, 355, 358, 363, 359, 417/410.1, 415-416, 405, 900; 60/408, 60/412; 184/26-37; 415/140-147; 123/495, 509; 137/565.34  
CPC ..... F02M 37/04; F02M 37/14  
See application file for complete search history.

(56) **References Cited**

**U.S. PATENT DOCUMENTS**

D516,091 S \* 2/2006 Leasure et al. .... D15/9  
D517,092 S \* 3/2006 Leasure et al. .... D15/9

D539,309 S \* 3/2007 Matsuoka et al. .... D15/9  
D578,551 S \* 10/2008 Bonzer ..... D15/9  
D585,460 S \* 1/2009 Plunk et al. .... D15/9  
D589,985 S \* 4/2009 Steinfels ..... D15/9  
D620,500 S \* 7/2010 Brandt et al. .... D15/9  
D649,163 S \* 11/2011 Moormann et al. .... D15/7  
D667,466 S \* 9/2012 Barmore et al. .... D15/7  
D718,790 S \* 12/2014 Yang ..... D15/9

\* cited by examiner

*Primary Examiner* — Ralf Seifert

(74) *Attorney, Agent, or Firm* — Rhonda L. Barton

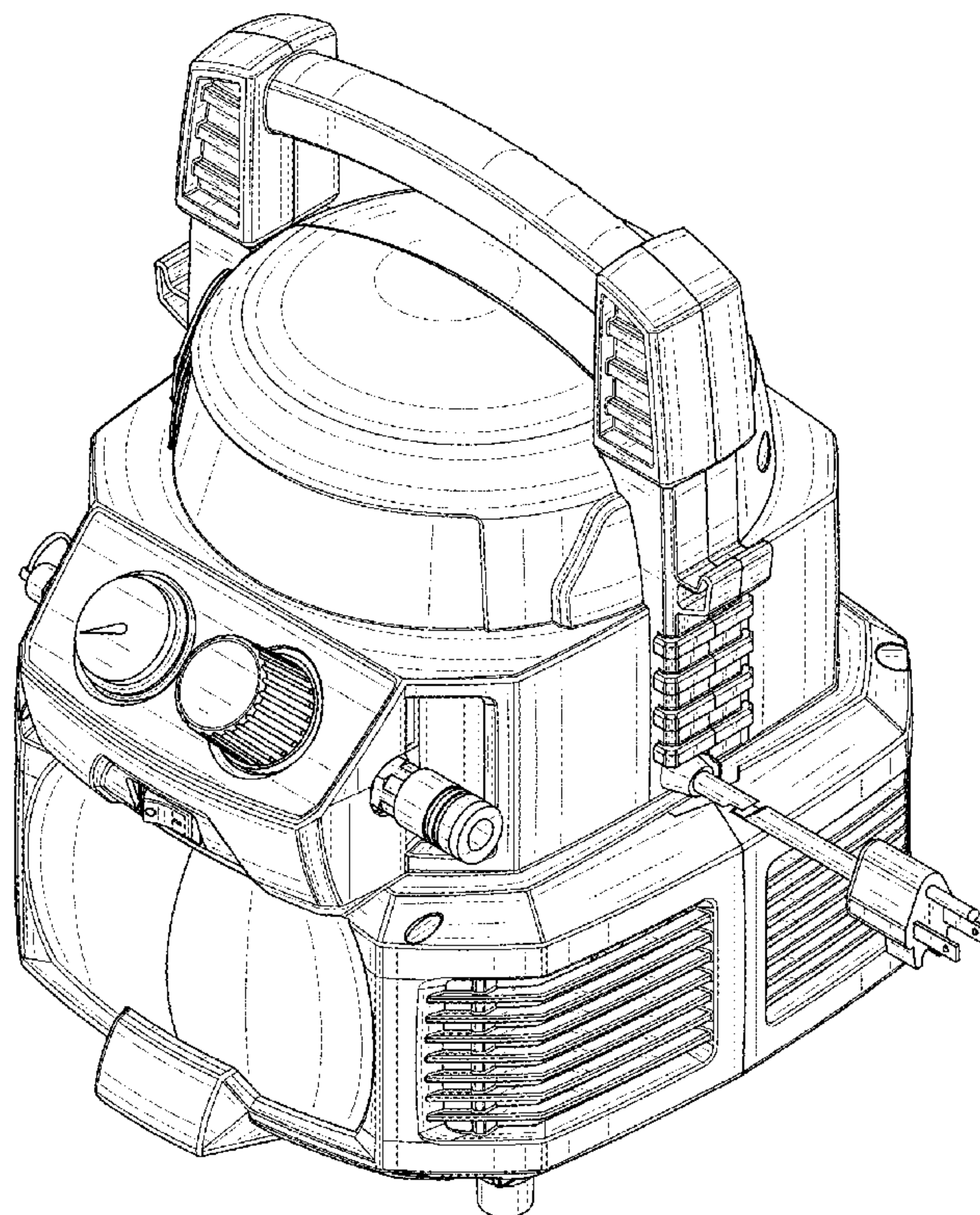
(57) **CLAIM**

The ornamental design for an air compressor, as shown and described.

**DESCRIPTION**

FIG. 1 is a right perspective view of an air compressor showing our design;  
FIG. 2 is a front view thereof;  
FIG. 3 is a rear view thereof;  
FIG. 4 is a left side view thereof;  
FIG. 5 is a right side view thereof;  
FIG. 6 is a top view thereof; and,  
FIG. 7 is a bottom view thereof.  
The broken lines are included for the purpose of illustrating portions of the air compressor that form no part of the claimed design.

**1 Claim, 7 Drawing Sheets**



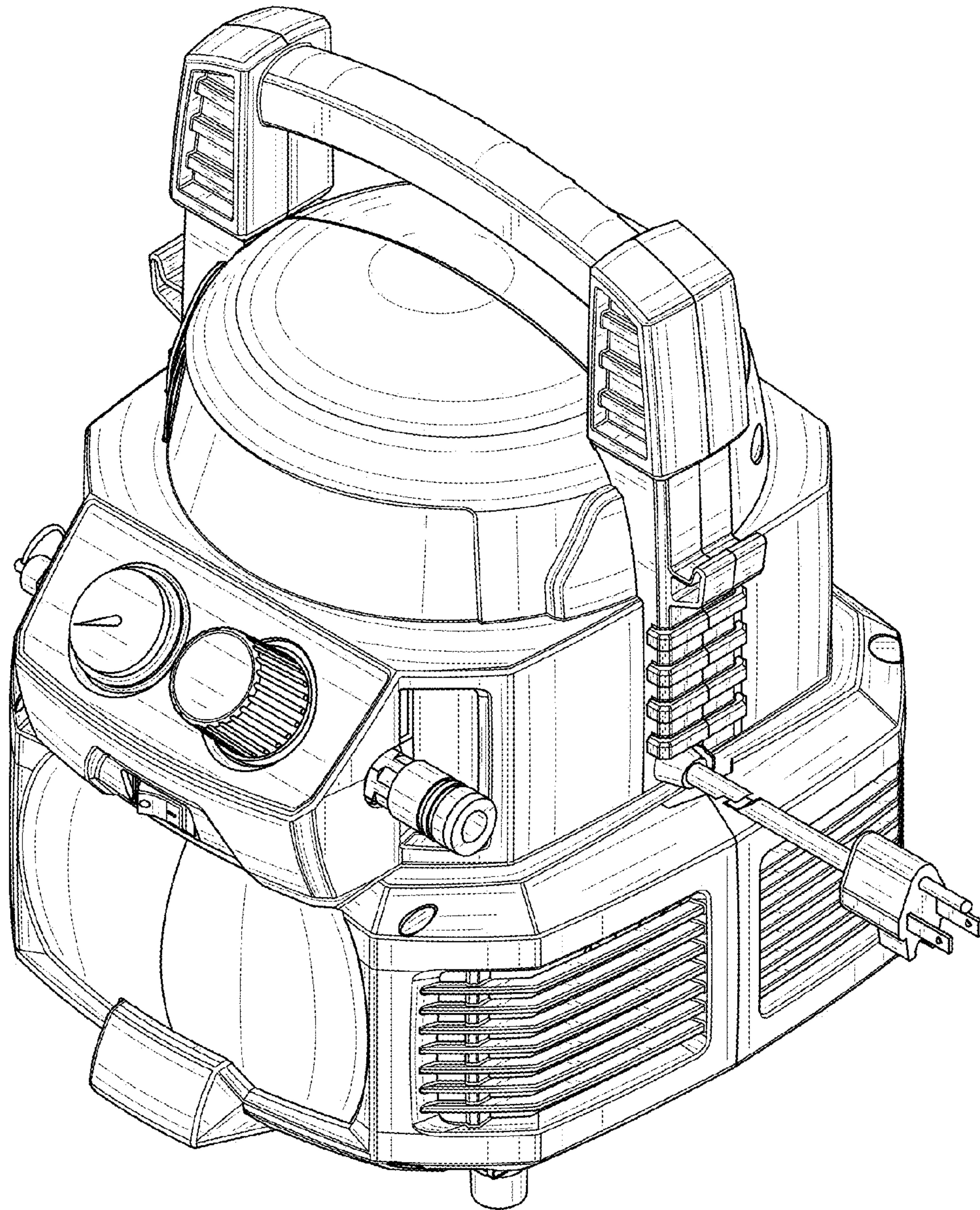


FIG. 1



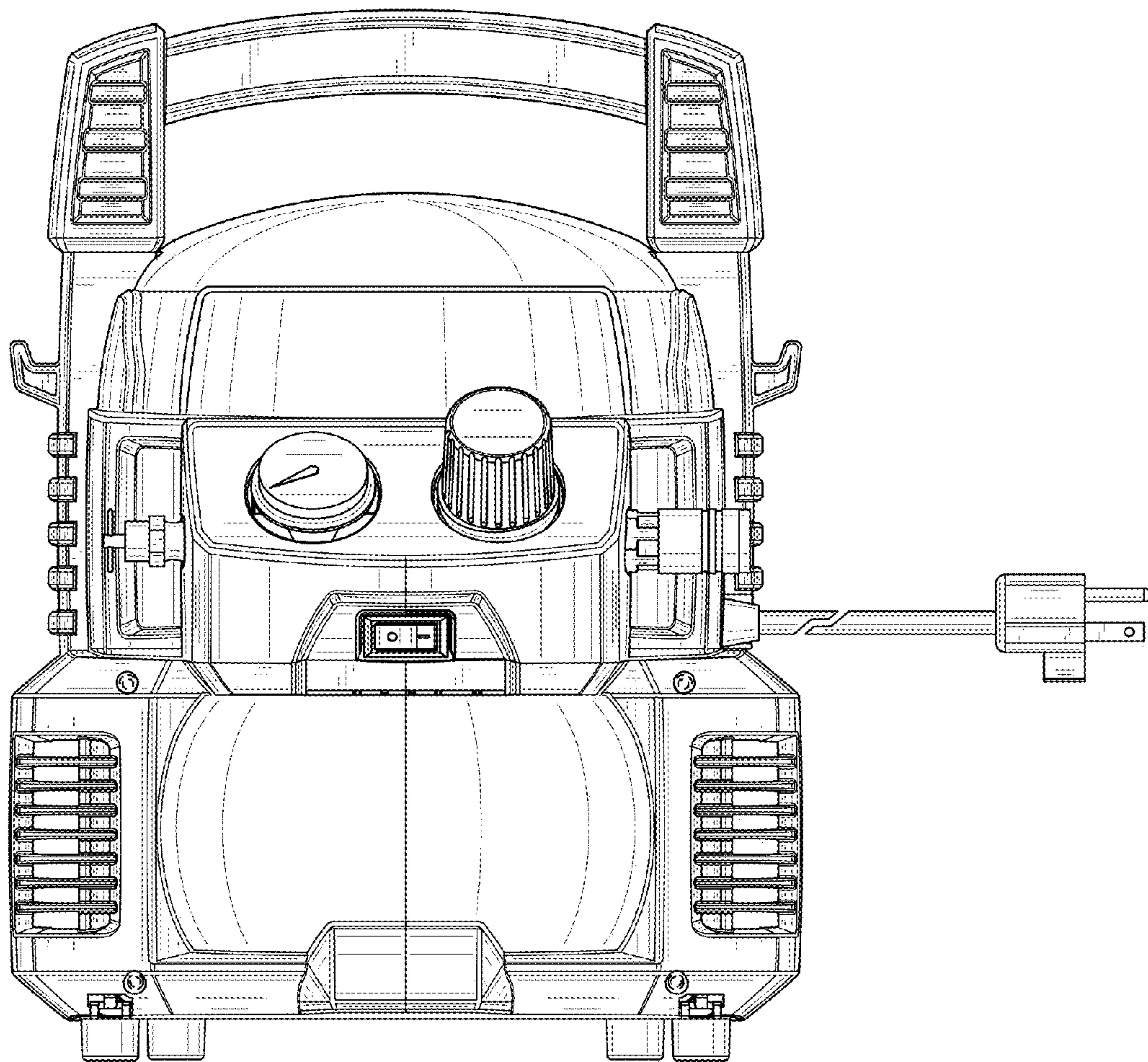


FIG. 2

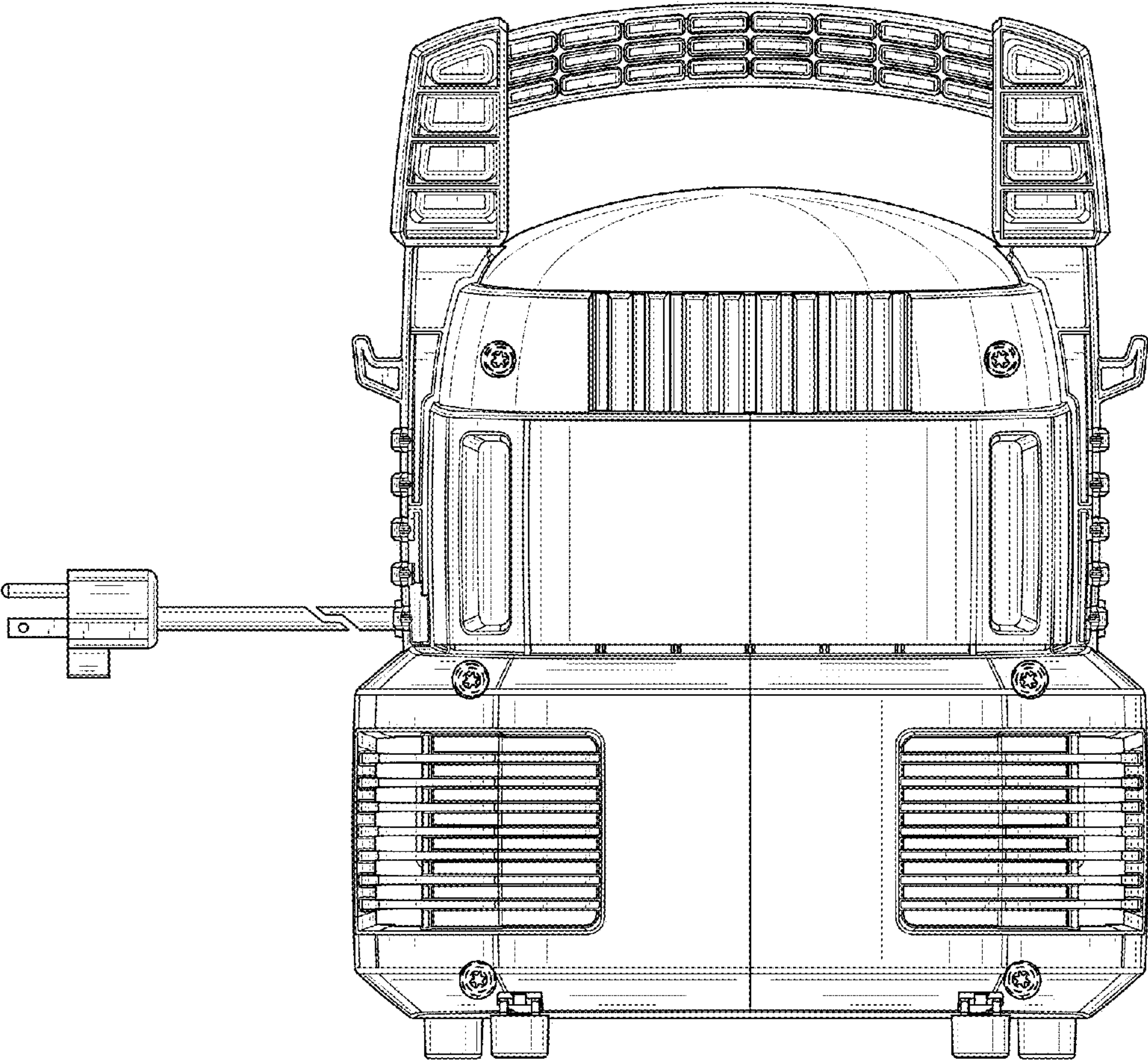


FIG. 3

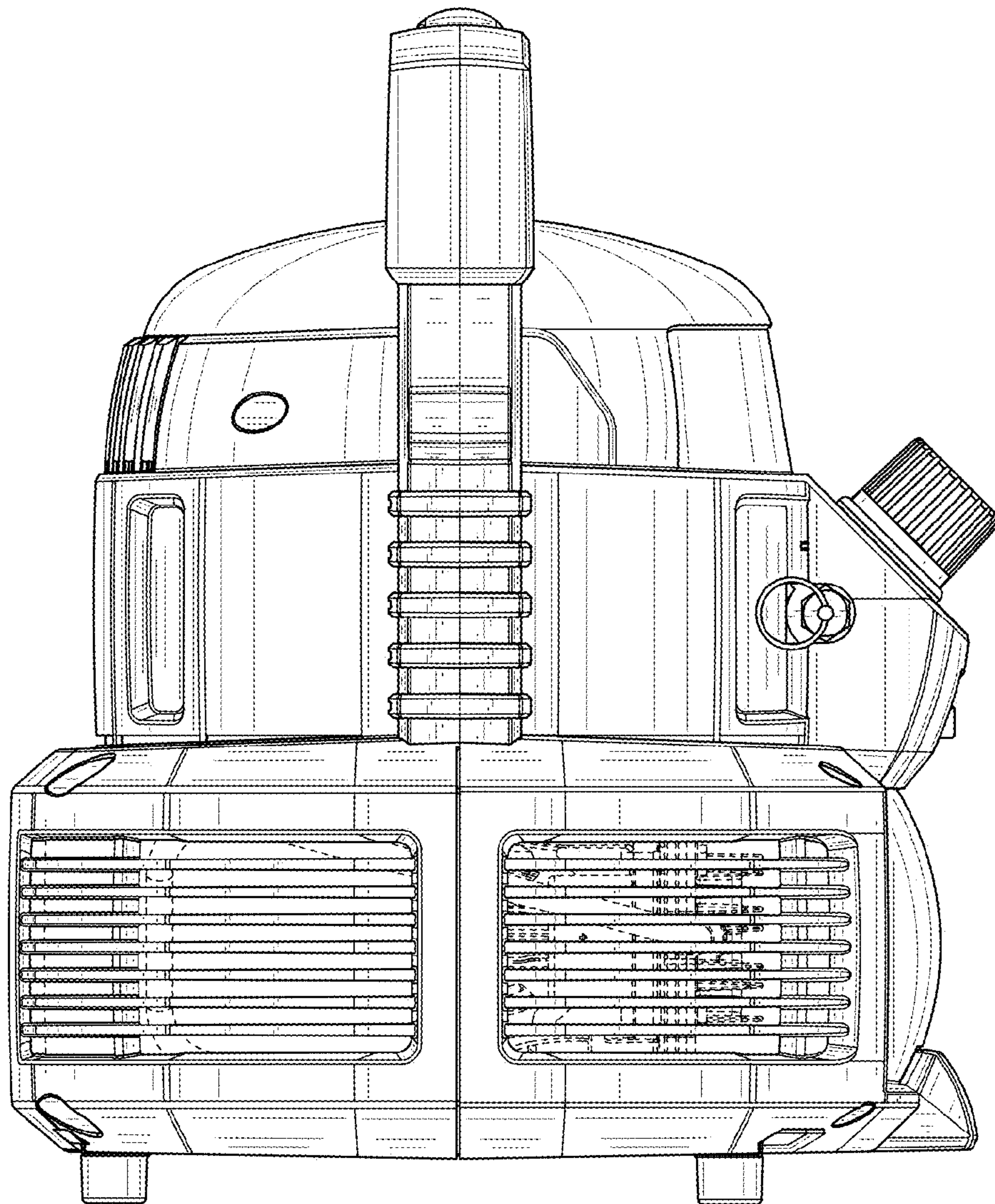


FIG. 4



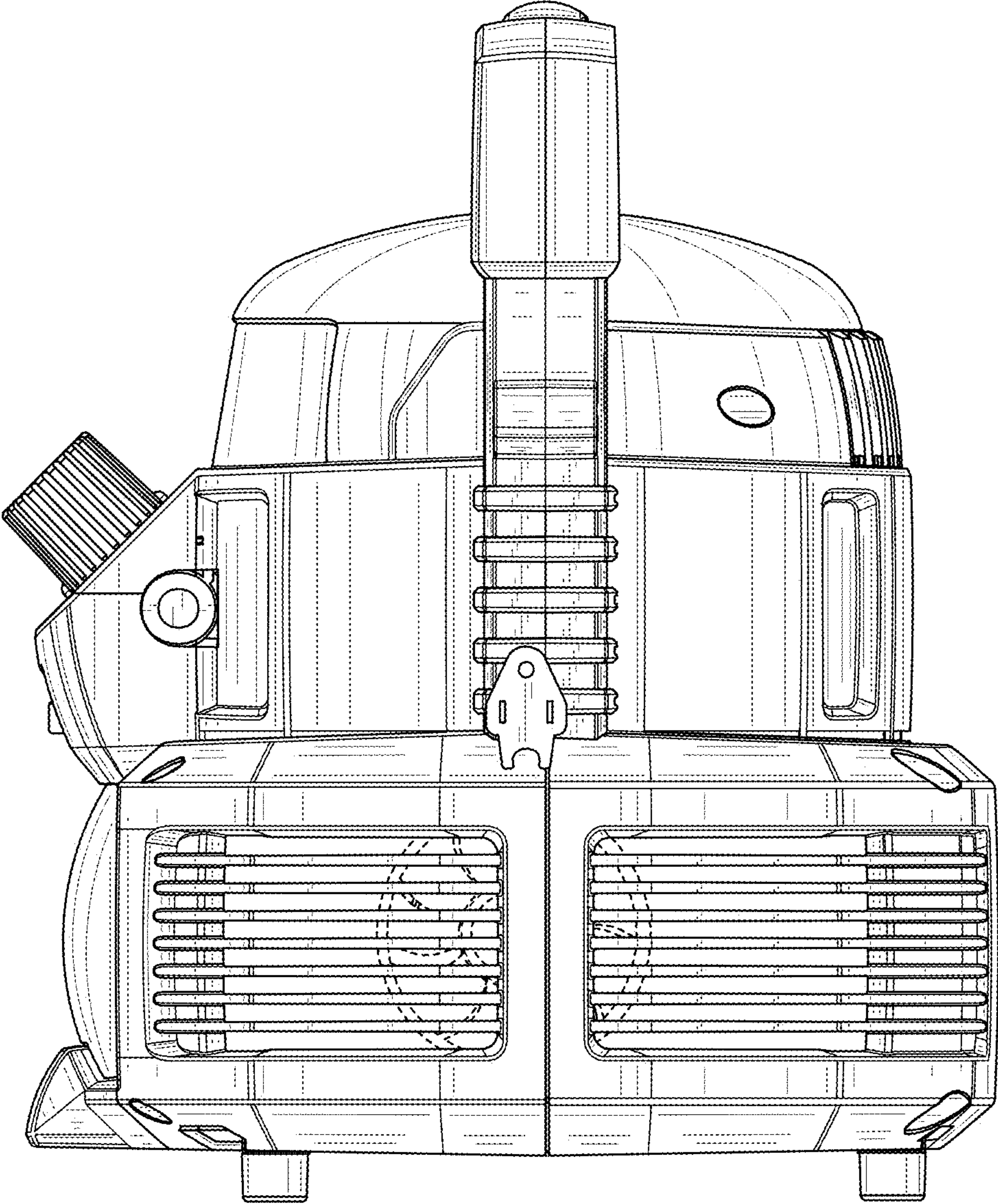


FIG. 5

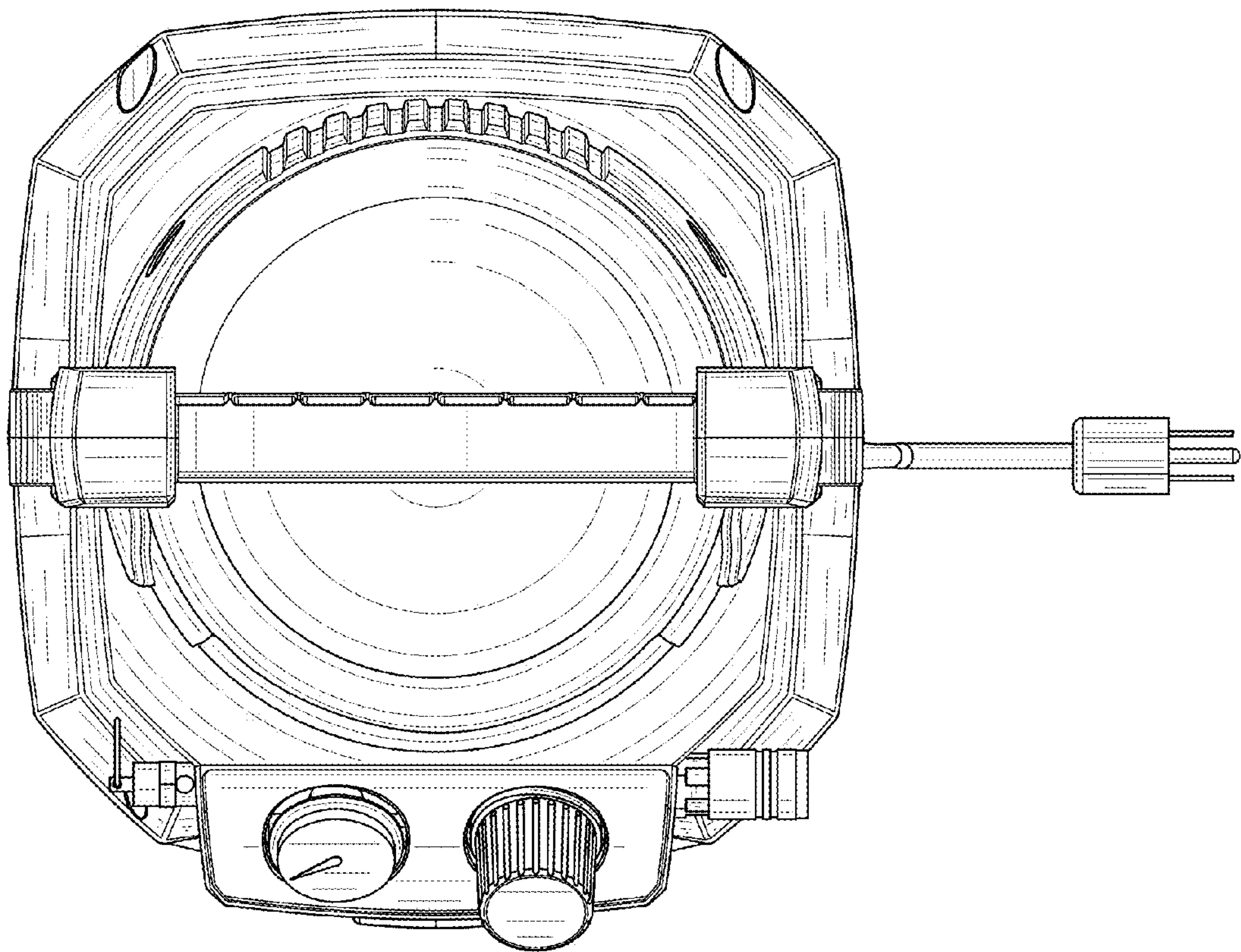


FIG. 6

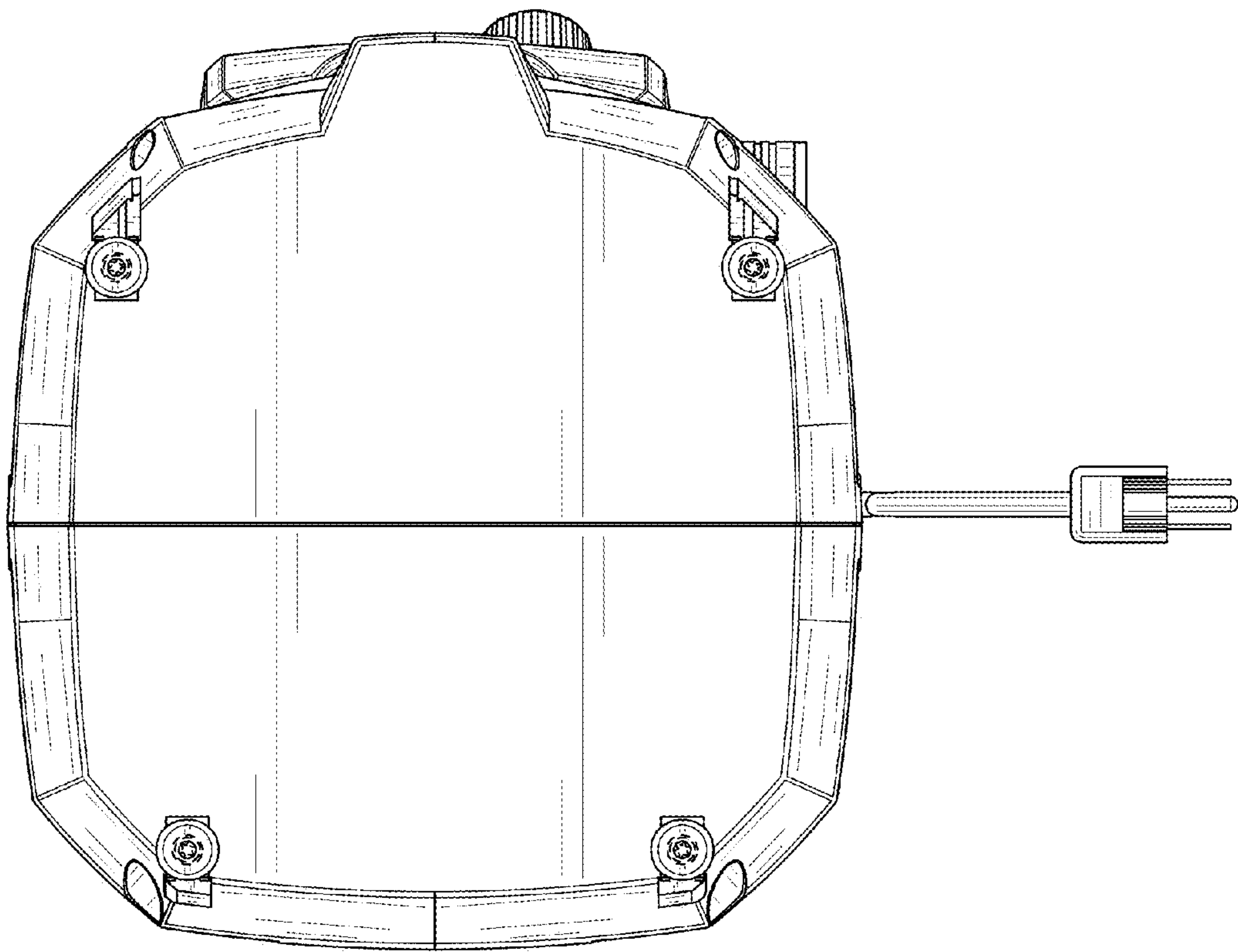


FIG. 7