



US00D749642S

(12) **United States Design Patent**  
**Fisher et al.**

(10) **Patent No.:** **US D749,642 S**

(45) **Date of Patent:** **\*\* Feb. 16, 2016**

(54) **HYDRAULIC POWER UNIT FOR A DIFFERENTIAL**

(71) Applicant: **Eaton Corporation**, Cleveland, OH (US)

(72) Inventors: **Daniel P. Fisher**, Coldwater, MI (US);  
**Andrew N. Edler**, Homer, MI (US)

(73) Assignee: **Eaton Corporation**, Cleveland, OH (US)

(\*\*) Term: **14 Years**

(21) Appl. No.: **29/473,101**

(22) Filed: **Nov. 19, 2013**

(51) **LOC (10) Cl.** ..... **15-01**

(52) **U.S. Cl.**  
USPC ..... **D15/5**

(58) **Field of Classification Search**  
USPC ..... D15/5, 148, 149, 199; D12/160, 159;  
475/226, 220, 149, 150, 151, 152, 153,  
475/154, 249, 248, 231; 192/70.11;  
180/305

See application file for complete search history.

(56) **References Cited**

**U.S. PATENT DOCUMENTS**

3,041,975	A *	7/1962	Johnston et al.	.....	417/401
2007/0102223	A1 *	5/2007	Tate et al.	.....	180/305
2015/0057125	A1 *	2/2015	Pump et al.	.....	475/160

\* cited by examiner

*Primary Examiner* — T. Chase Nelson

*Assistant Examiner* — Ania Aman

(74) *Attorney, Agent, or Firm* — Remarck Law Group PLC

(57) **CLAIM**

The ornamental design for a hydraulic power unit for a differential, as shown and described.

**DESCRIPTION**

FIG. 1 is a first perspective view of a hydraulic power unit for a differential showing our new design.

FIG. 2 is a second perspective view of the hydraulic power unit for a differential of FIG. 1.

FIG. 3 is a top view of the hydraulic power unit for a differential of FIG. 1.

FIG. 4 is a front view of the hydraulic power unit for a differential of FIG. 1.

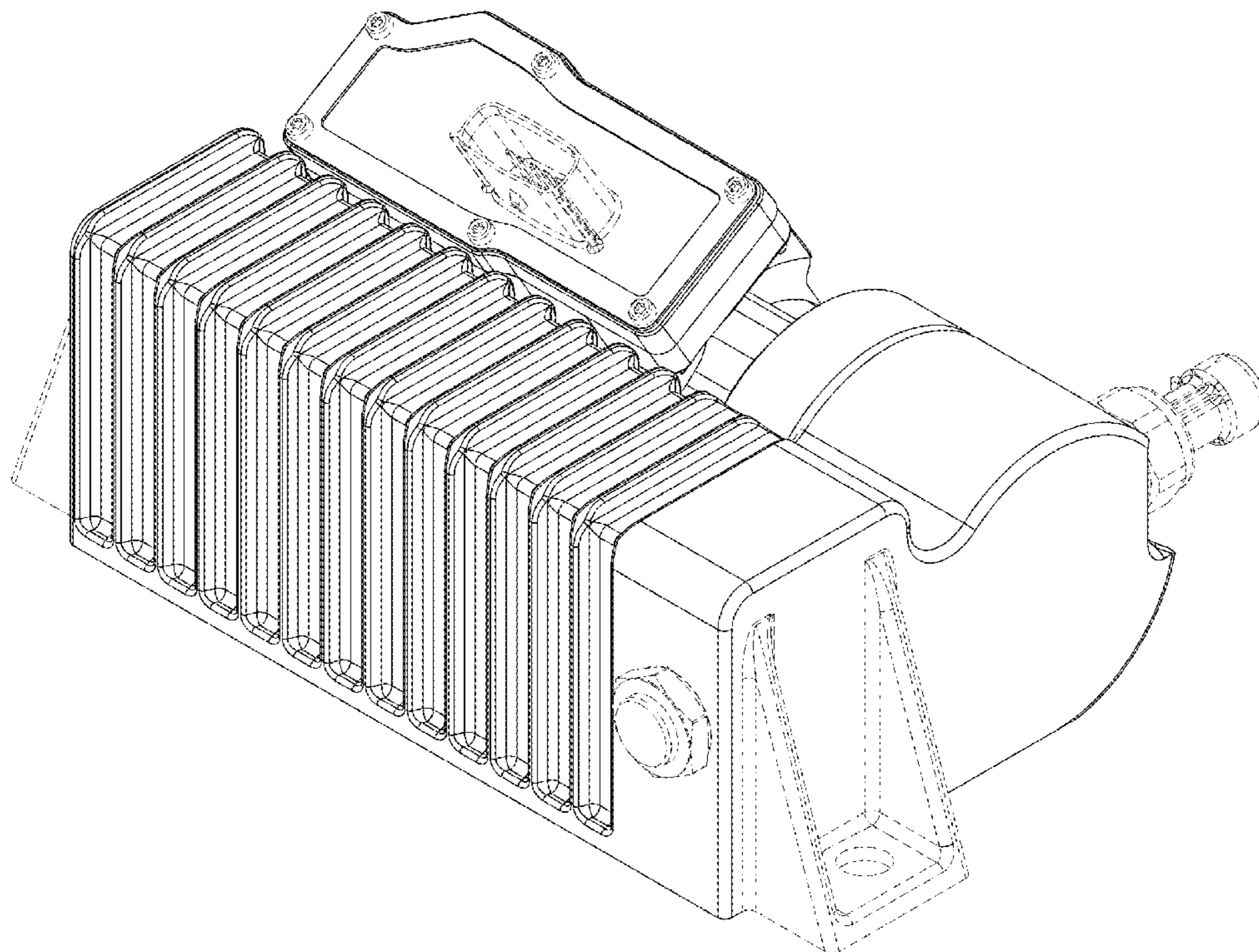
FIG. 5 is a rear view of the hydraulic power unit for a differential of FIG. 1.

FIG. 6 is a first side view of the hydraulic power unit for a differential of FIG. 1; and,

FIG. 7 is a second side view of the hydraulic power unit for a differential of FIG. 1.

Any portion of the hydraulic power unit for a differential shown in broken lines is for the purpose of illustrating environmental structure and forms no part of the claimed design.

**1 Claim, 7 Drawing Sheets**



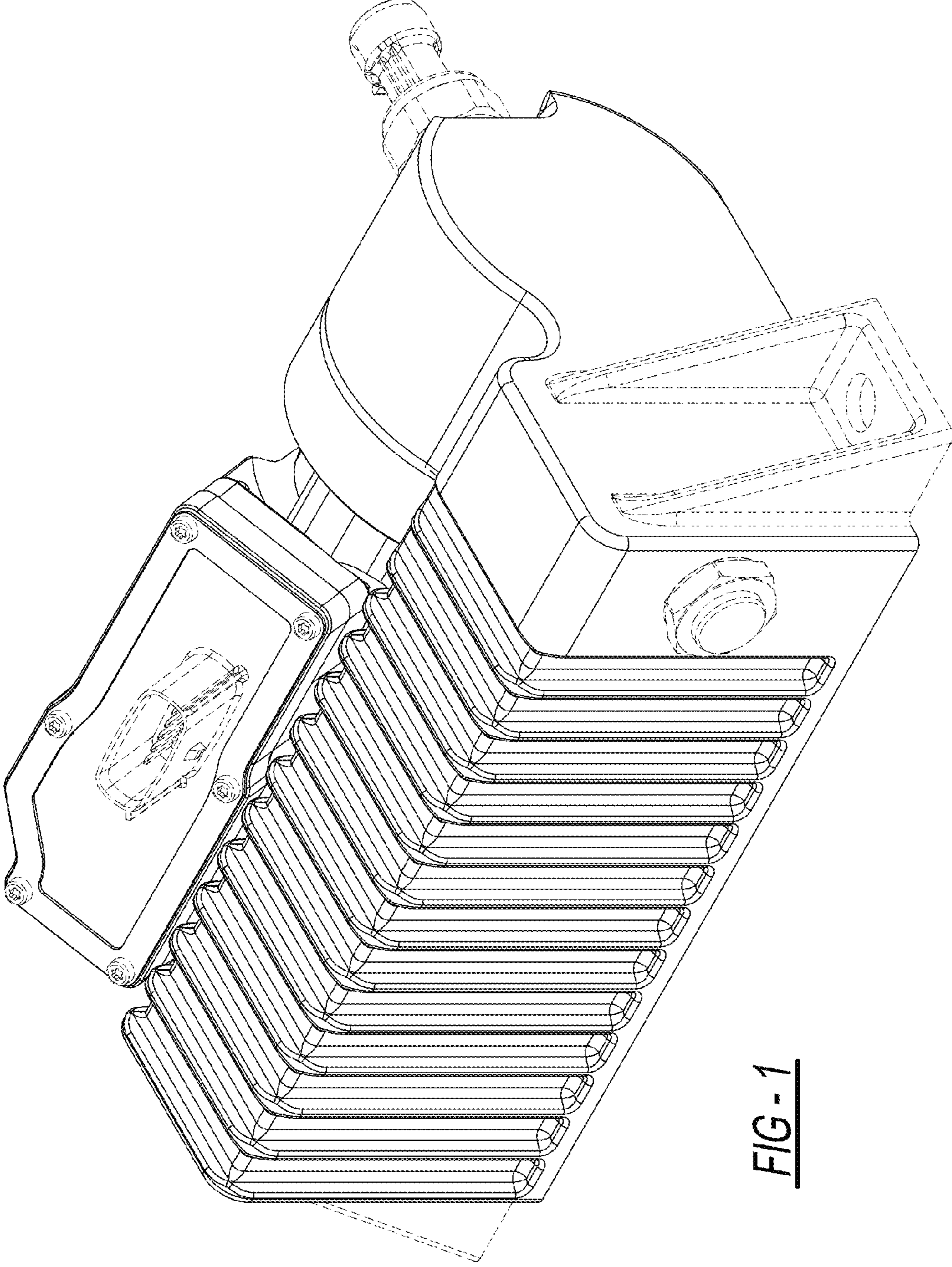


FIG - 1



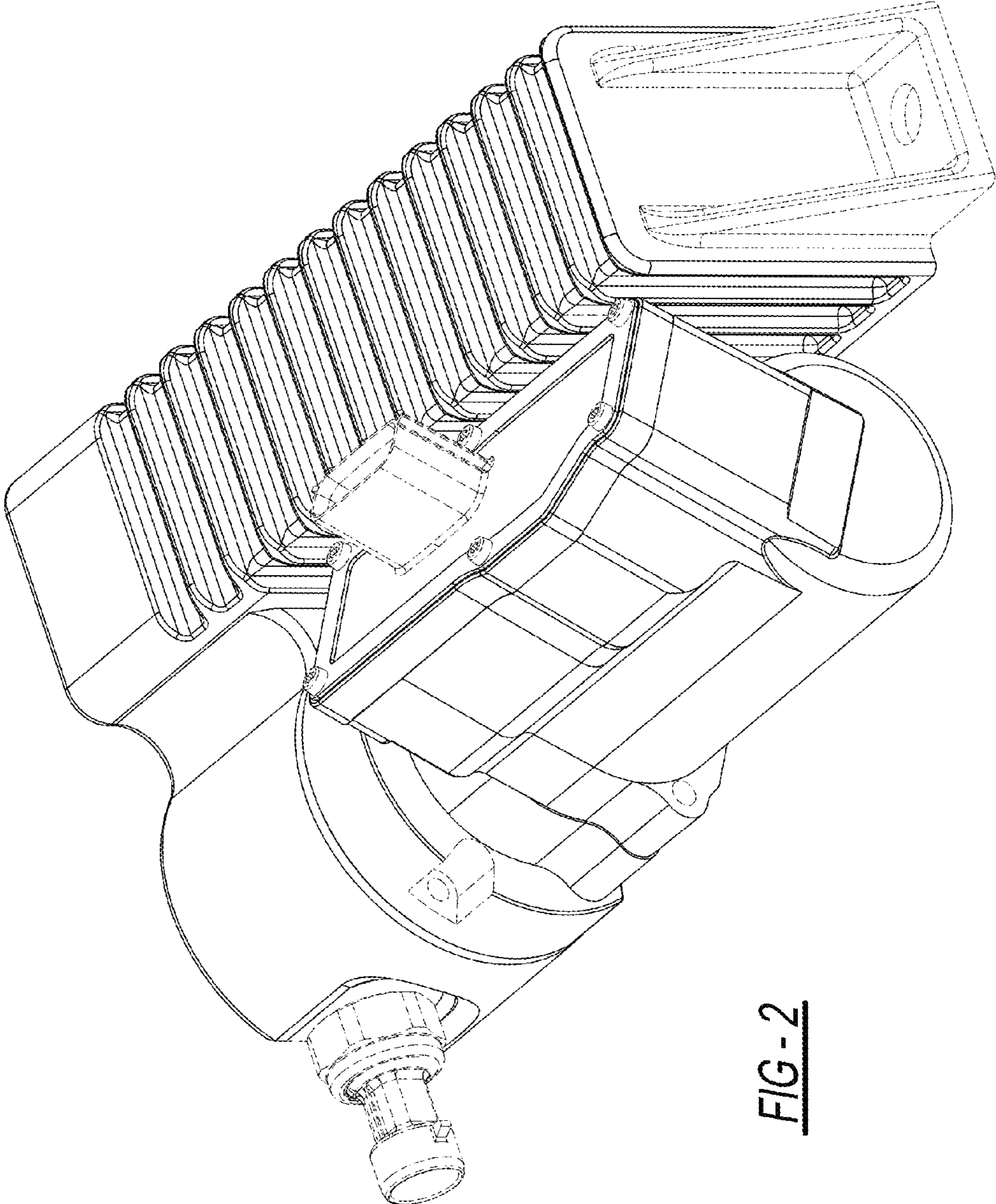


FIG - 2

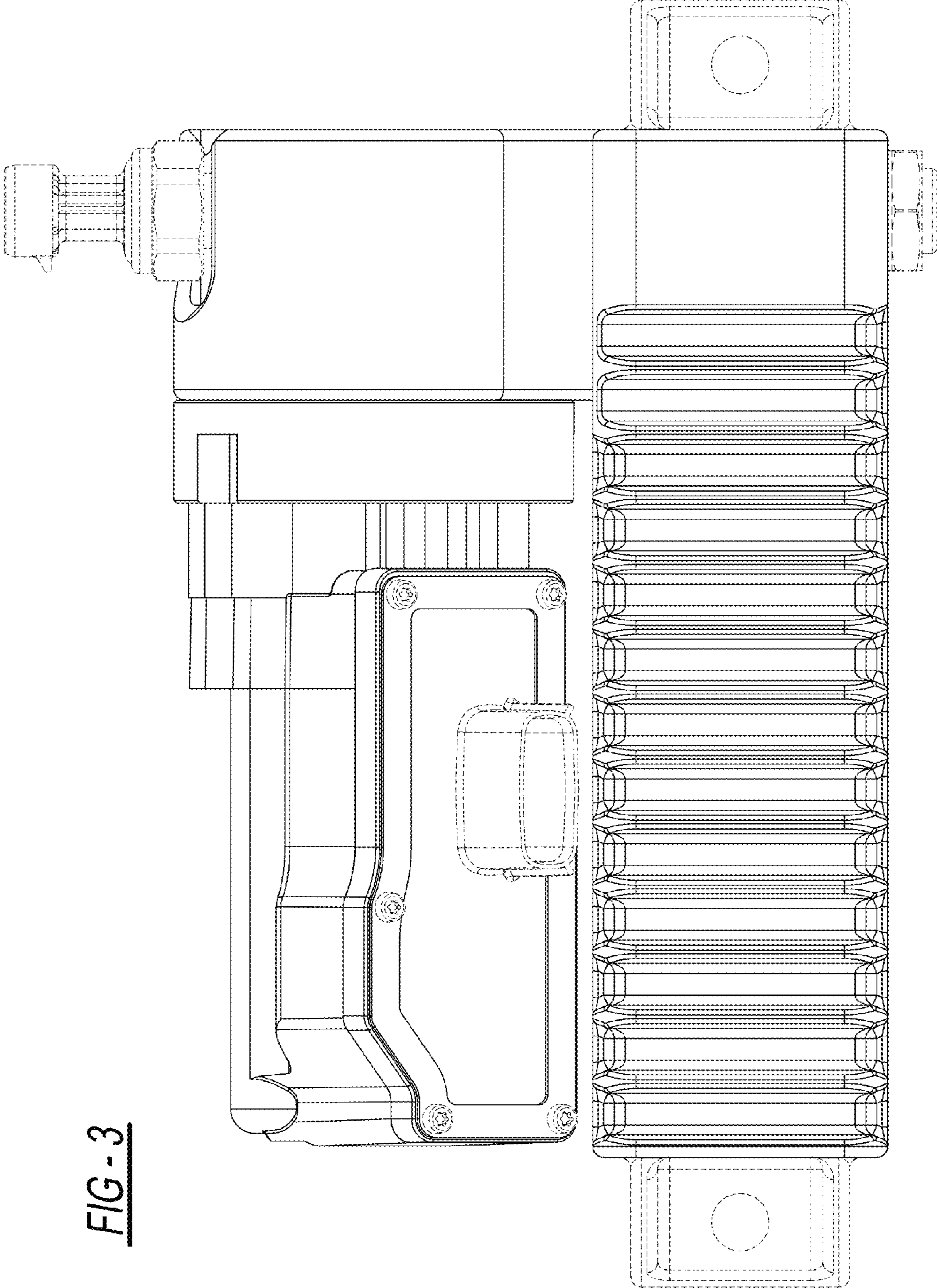


FIG - 3

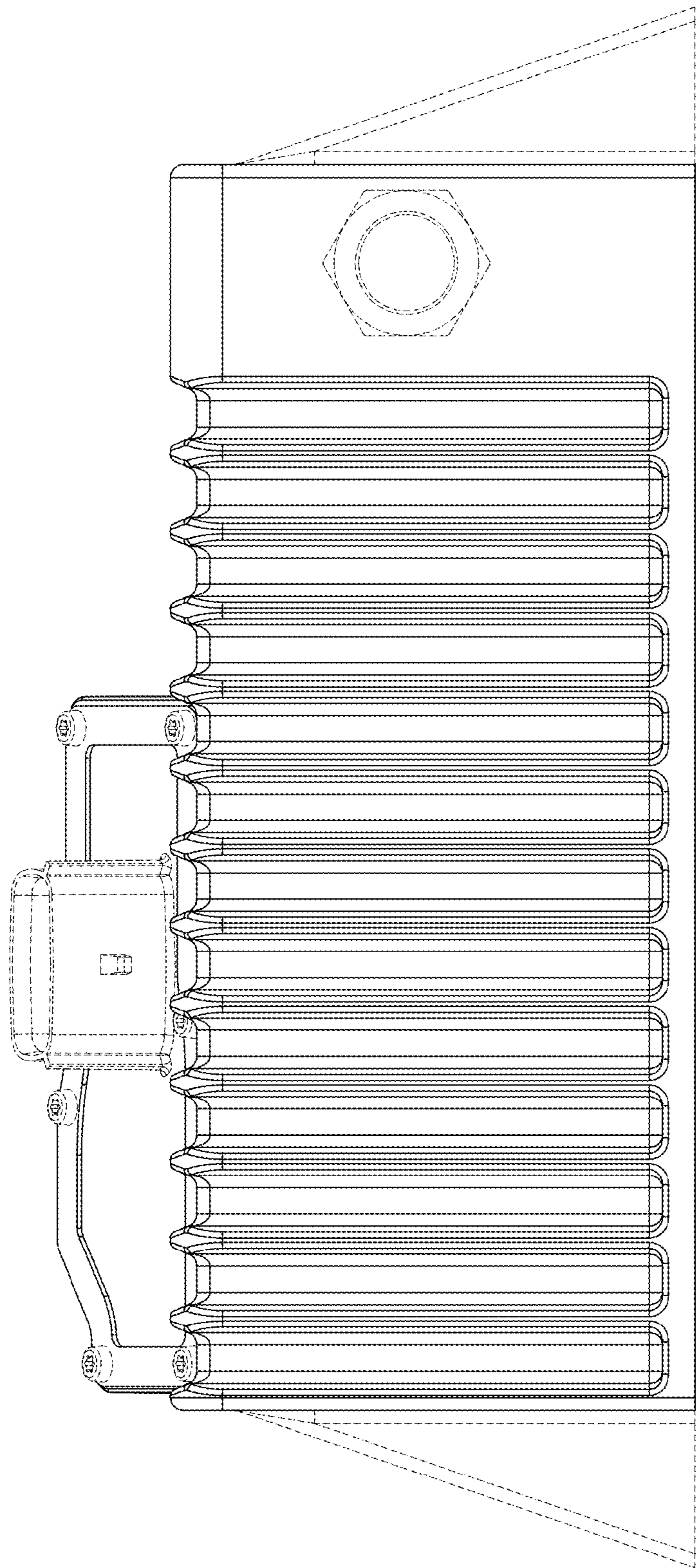


FIG - 4



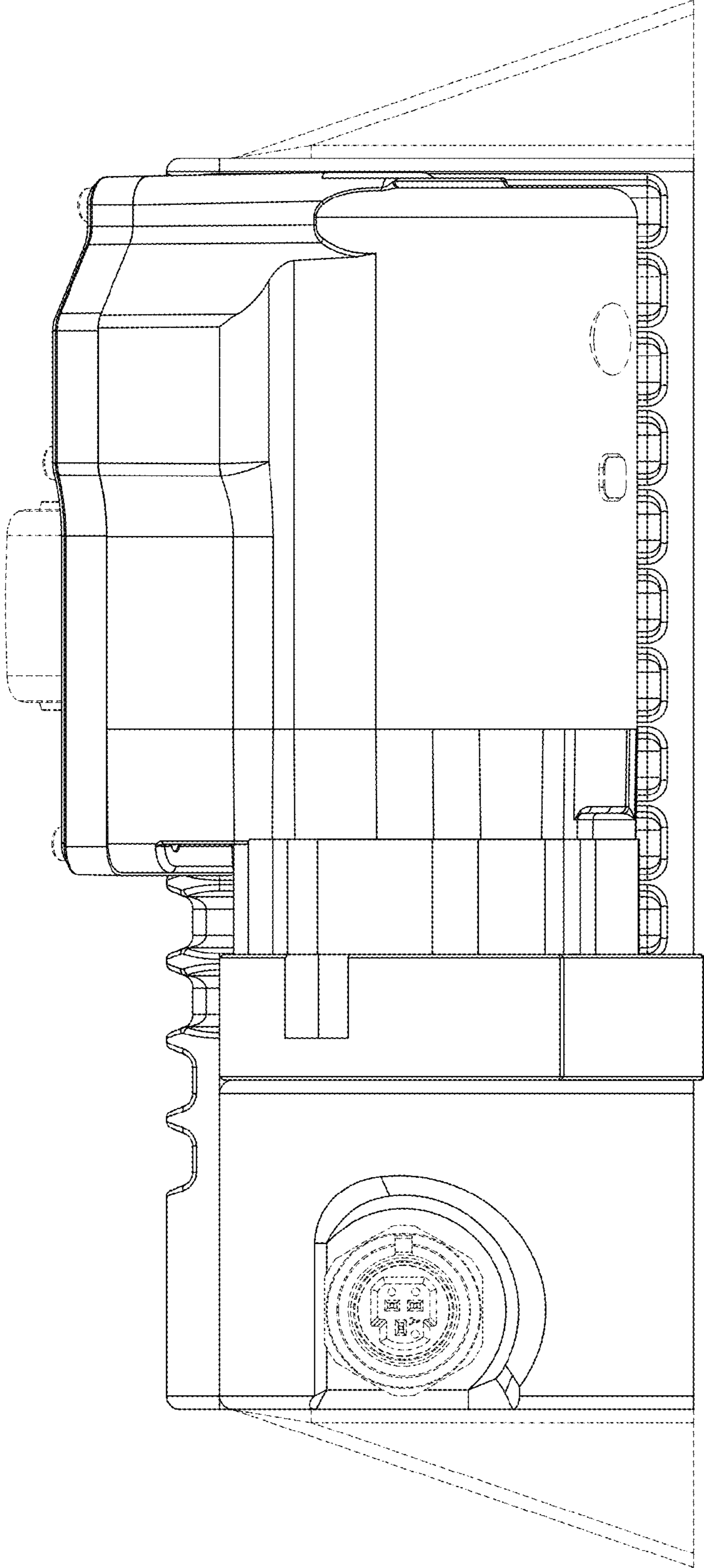


FIG - 5

FIG - 6

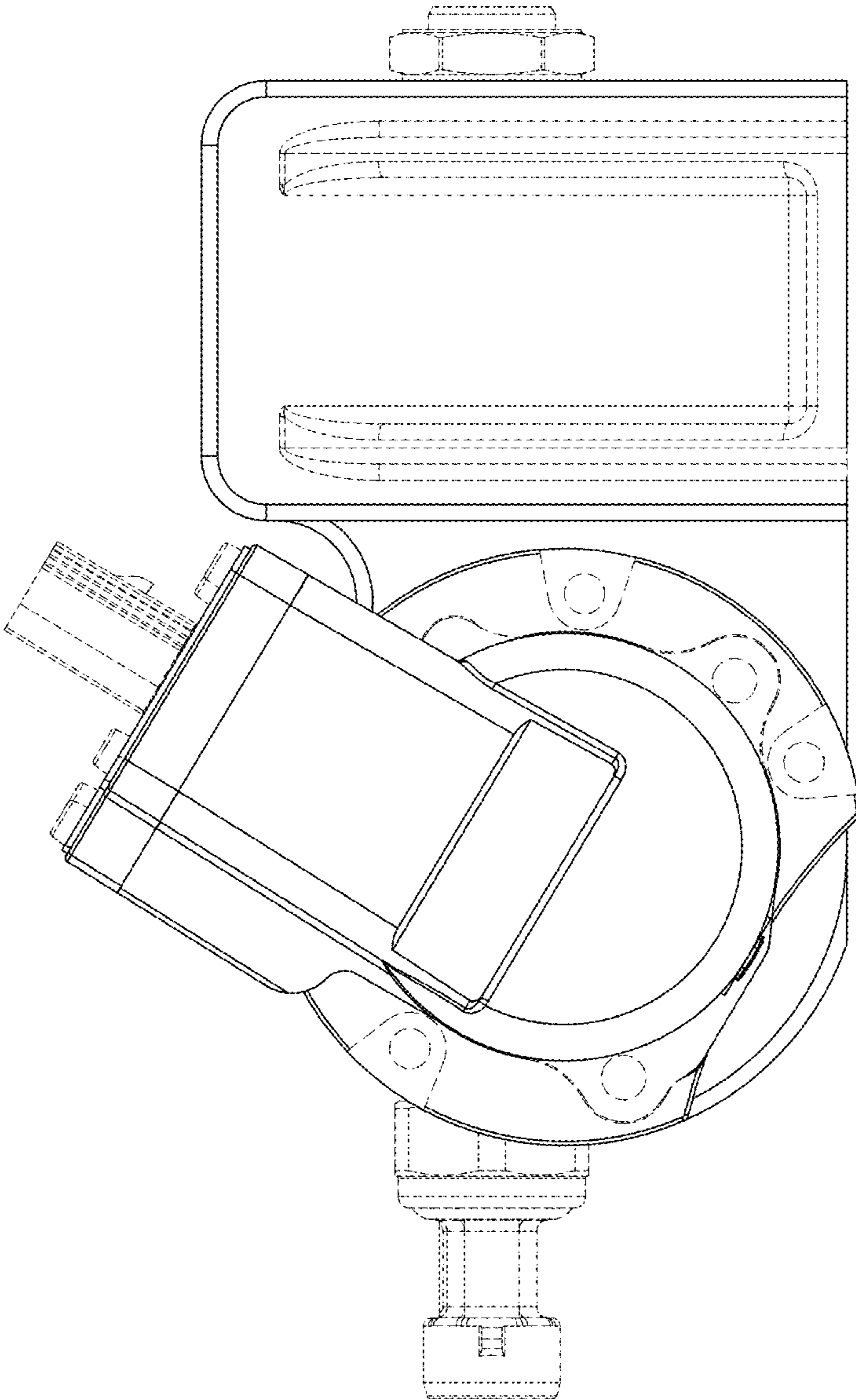


FIG - 7

