



US00D749641S

(12) **United States Design Patent**
Menssen et al.

(10) **Patent No.:** **US D749,641 S**

(45) **Date of Patent:** **** Feb. 16, 2016**

(54) **AIR FILTER**

(76) Inventors: **Joerg Menssen**, Ludwigsburg (DE);
Oliver Steins, Ludwigsburg (DE); **Kai Hilarius**, Ludwigsburg (DE); **Stefan Becker**, Mannheim (DE)

(**) Term: **14 Years**

(21) Appl. No.: **29/429,281**

(22) Filed: **Aug. 8, 2012**

(30) **Foreign Application Priority Data**

Feb. 8, 2012 (CN) 2012 3 0024218

(51) **LOC (10) Cl.** **15-01**

(52) **U.S. Cl.**
USPC **D15/5**

(58) **Field of Classification Search**

USPC D15/1-6; 55/495, 345, 337, 321, 324,
55/482; D23/365

CPC B01D 46/521; B01D 46/0005; B01D
46/2411; B01D 46/10; B01D 50/002; B01D
46/526; B01D 46/0002; B01D 2265/06;
B01D 46/0004; B01D 2271/022; B01D
46/0023; B01D 46/2414; B01D 2271/027

See application file for complete search history.

(56) **References Cited**

U.S. PATENT DOCUMENTS

7,491,254	B2 *	2/2009	Krisko et al.	55/337
7,645,310	B2 *	1/2010	Krisko et al.	55/337
7,993,422	B2 *	8/2011	Krisko et al.	55/337
8,012,227	B2 *	9/2011	Greif	55/337
8,157,880	B2 *	4/2012	Muenkel	55/385.3
8,167,965	B2 *	5/2012	Greif	55/337
8,216,334	B2 *	7/2012	Nelson et al.	55/495
8,394,160	B2 *	3/2013	Muenkel	55/385.3
8,652,228	B2 *	2/2014	Krisko et al.	55/337
8,657,900	B2 *	2/2014	Menssen	55/337

8,657,903	B2 *	2/2014	Menssen	55/345
D705,412	S *	5/2014	Dworatzek et al.	D23/365
8,784,522	B2 *	7/2014	Menssen et al.	55/337
8,790,431	B2 *	7/2014	Muenkel et al.	55/337
2007/0289265	A1 *	12/2007	Coulonvaux et al.	55/324
2010/0162673	A1 *	7/2010	Grosche et al.	55/482
2010/0186353	A1 *	7/2010	Ackermann et al.	55/321
2012/0198802	A1 *	8/2012	Menssen	55/337
2013/0031878	A1 *	2/2013	Menssen	55/345
2014/0033666	A1 *	2/2014	Menssen et al.	55/495

* cited by examiner

Primary Examiner — T. Chase Nelson

Assistant Examiner — Ania Aman

(74) *Attorney, Agent, or Firm* — James Hasselbeck

(57) **CLAIM**

We claim the ornamental design for an air filter, as shown and described.

DESCRIPTION

FIG. 1 is a perspective view of an air filter showing our new design configured vertically;

FIG. 2 is a front elevational view thereof;

FIG. 3 is a rear elevational view thereof;

FIG. 4 is a right side elevational view thereof;

FIG. 5 is a left side elevational view thereof;

FIG. 6 is a bottom plan view thereof; and

FIG. 7 is a top plan view thereof;

FIG. 8 is a perspective view of an air filter showing our new design configured horizontally;

FIG. 9 is a front elevational view thereof;

FIG. 10 is a rear elevational view thereof;

FIG. 11 is a left side elevational view thereof;

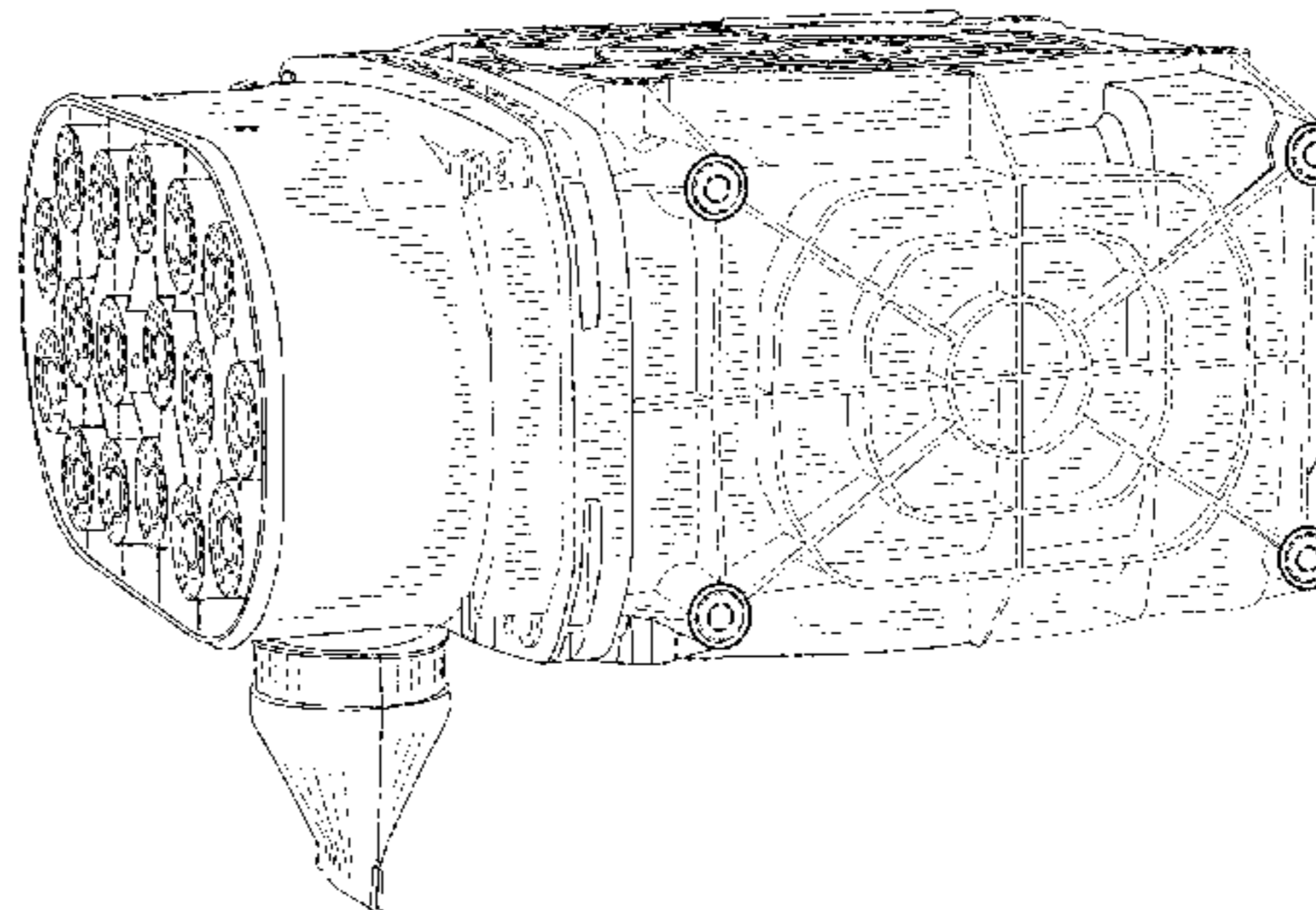
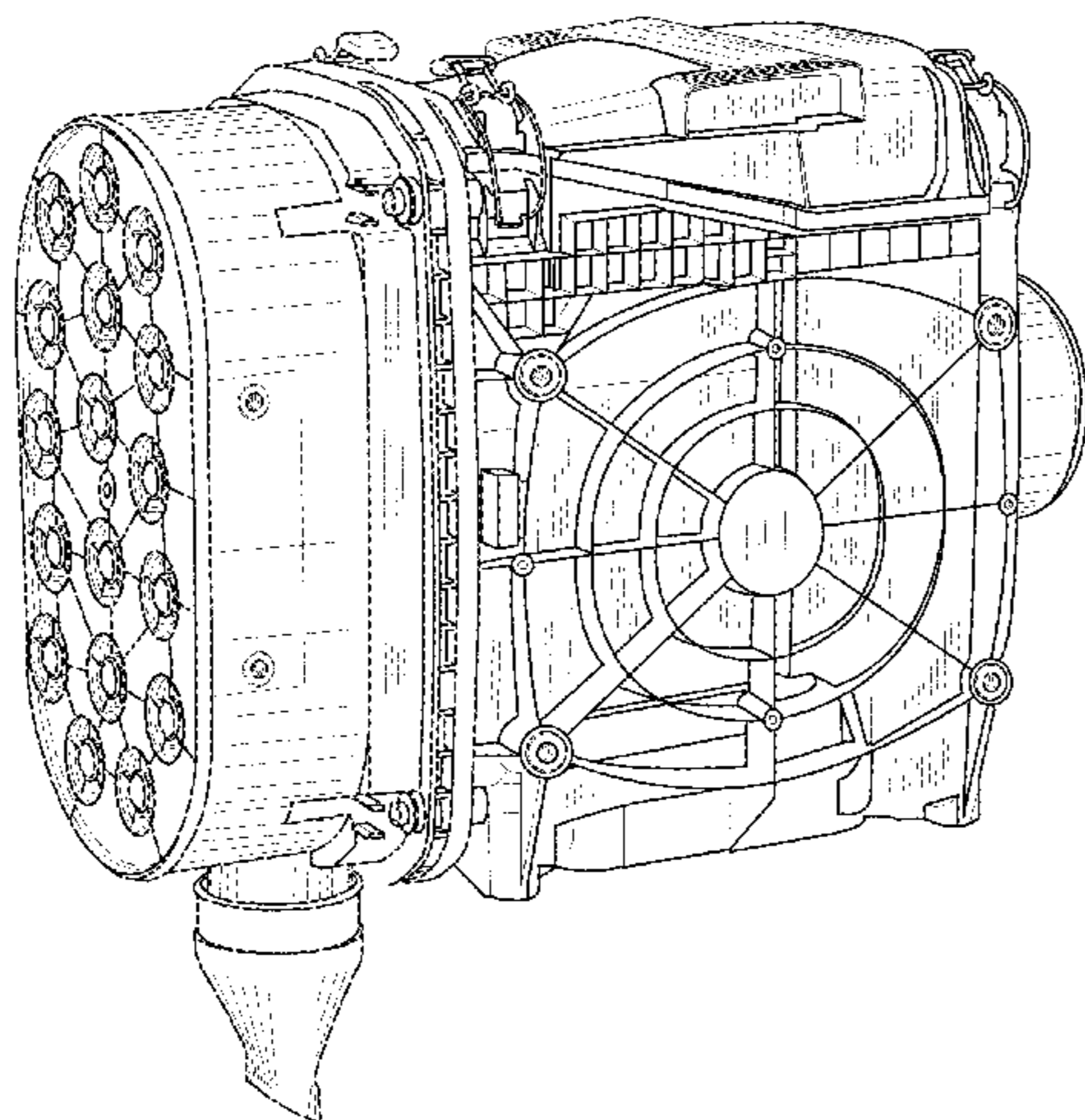
FIG. 12 is a right side elevational view thereof;

FIG. 13 is a top plan view thereof; and,

FIG. 14 is a bottom plan view thereof.

The broken lines shown in the drawings are for the purpose of illustrating portions of the article that form no part of the claimed design.

1 Claim, 8 Drawing Sheets



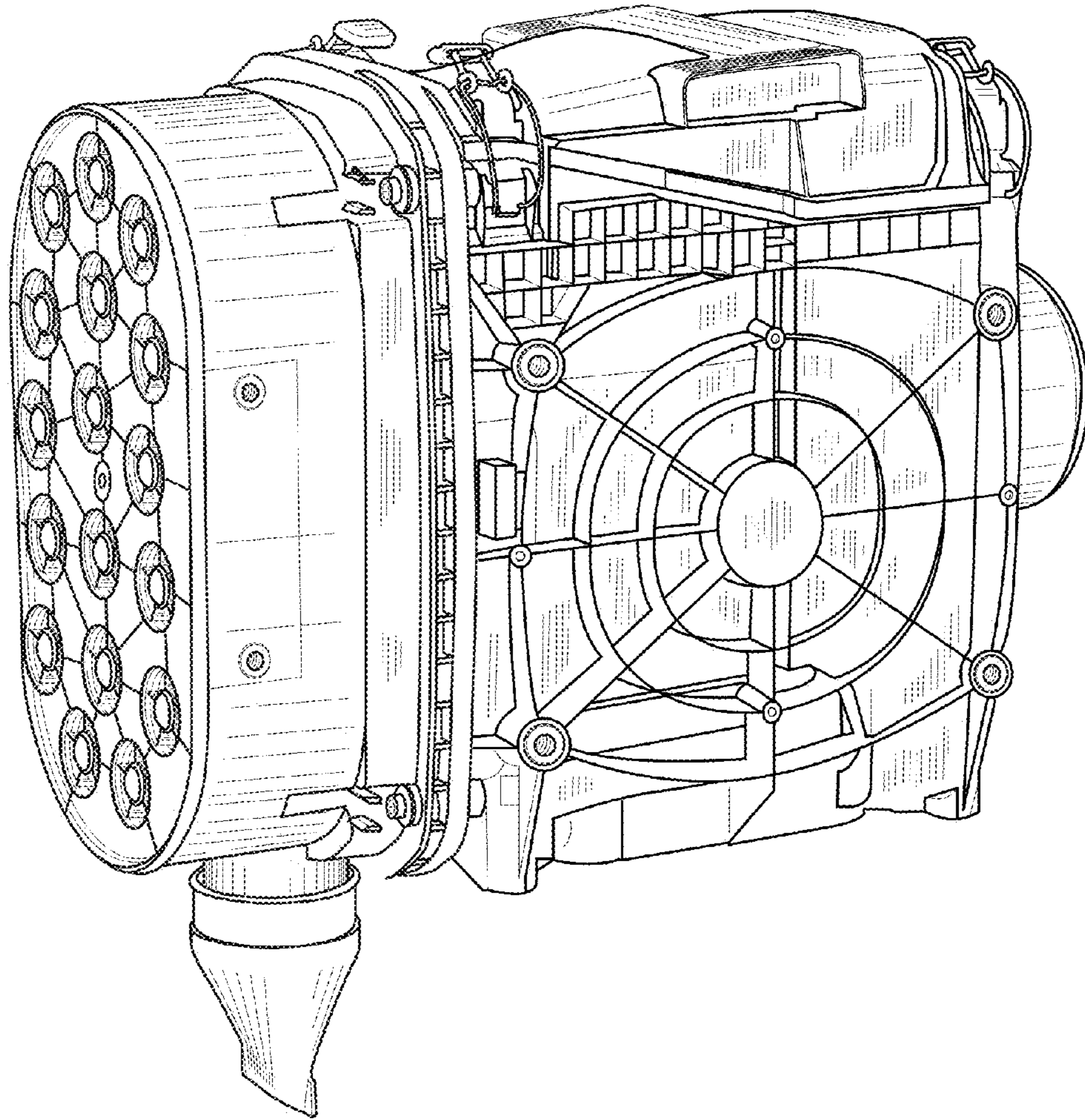


FIG. 1

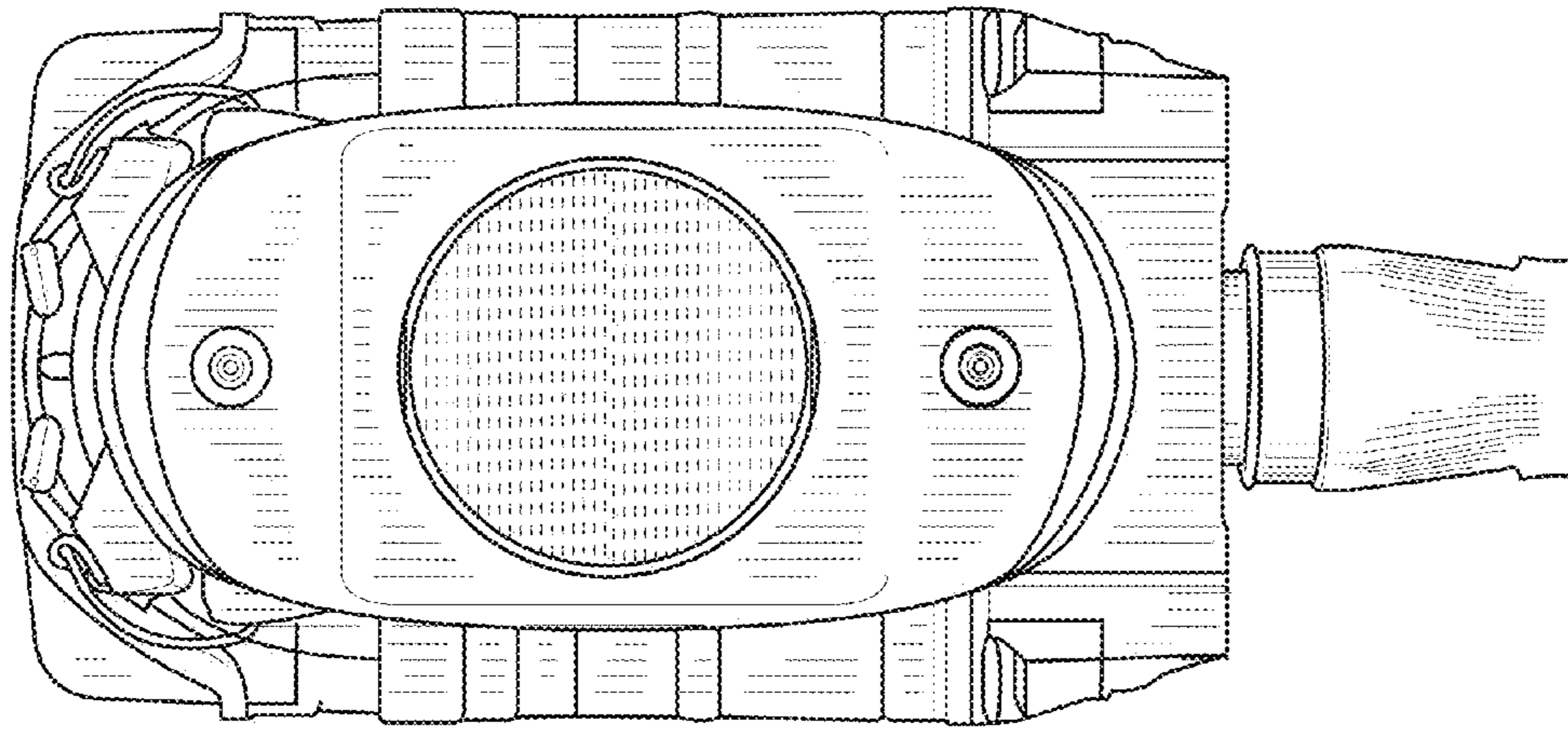


FIG. 2

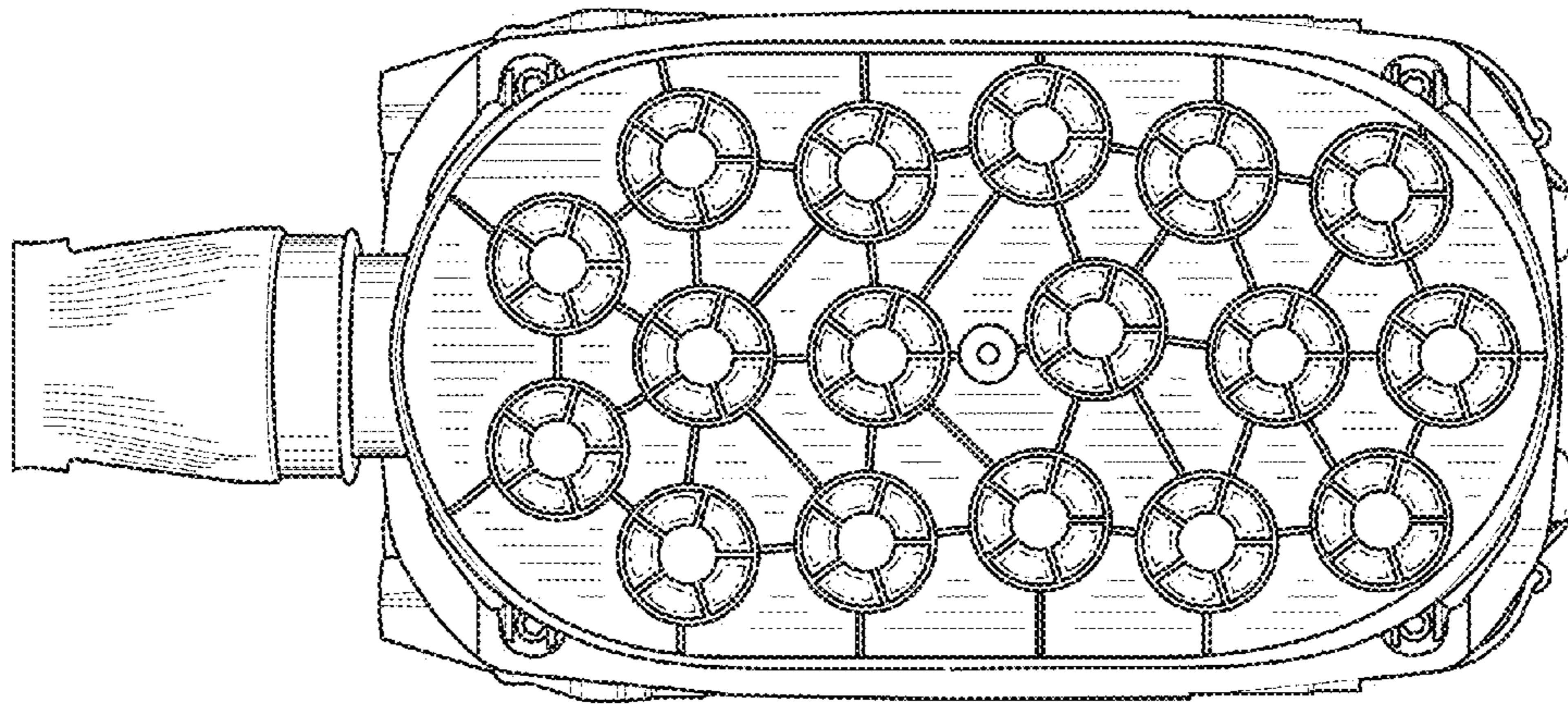


FIG. 3

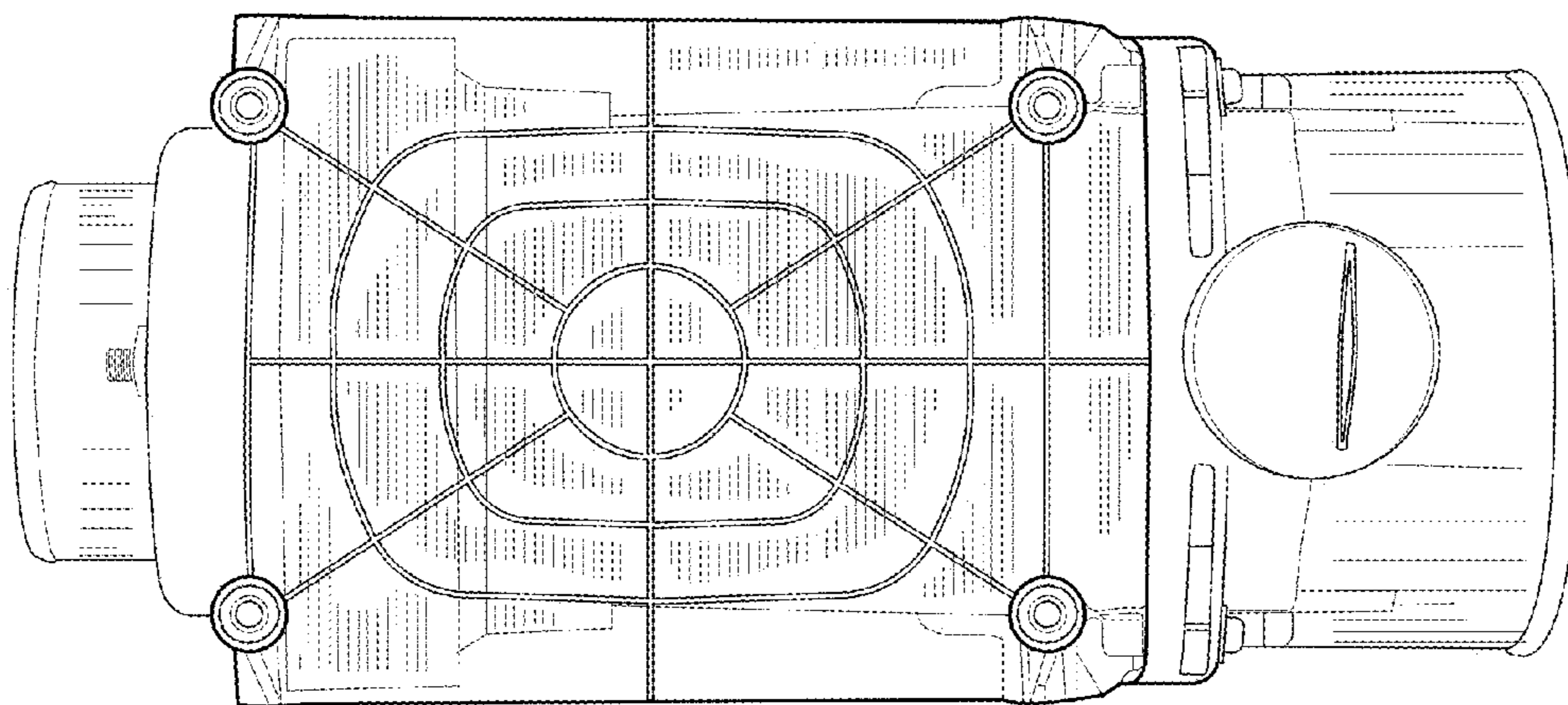


FIG. 4

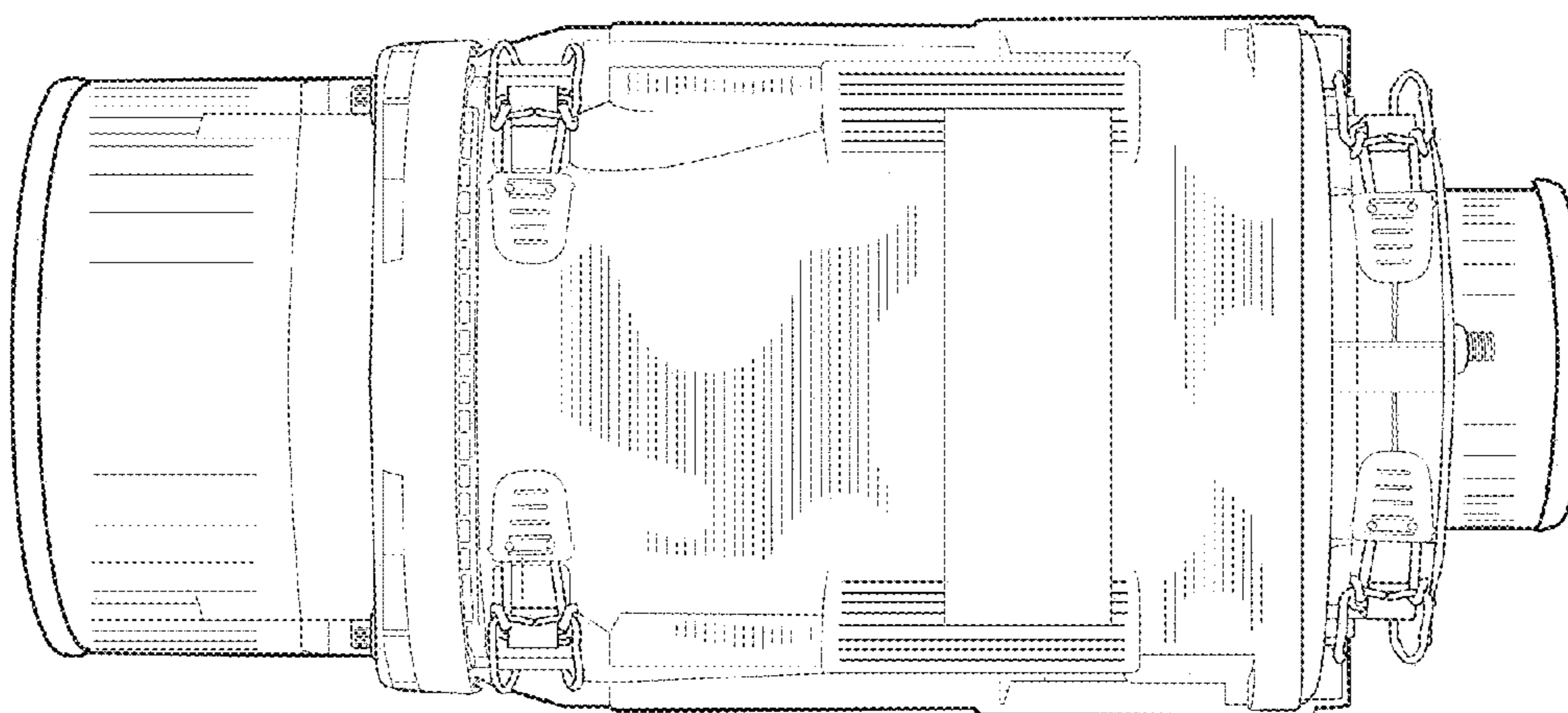


FIG. 5

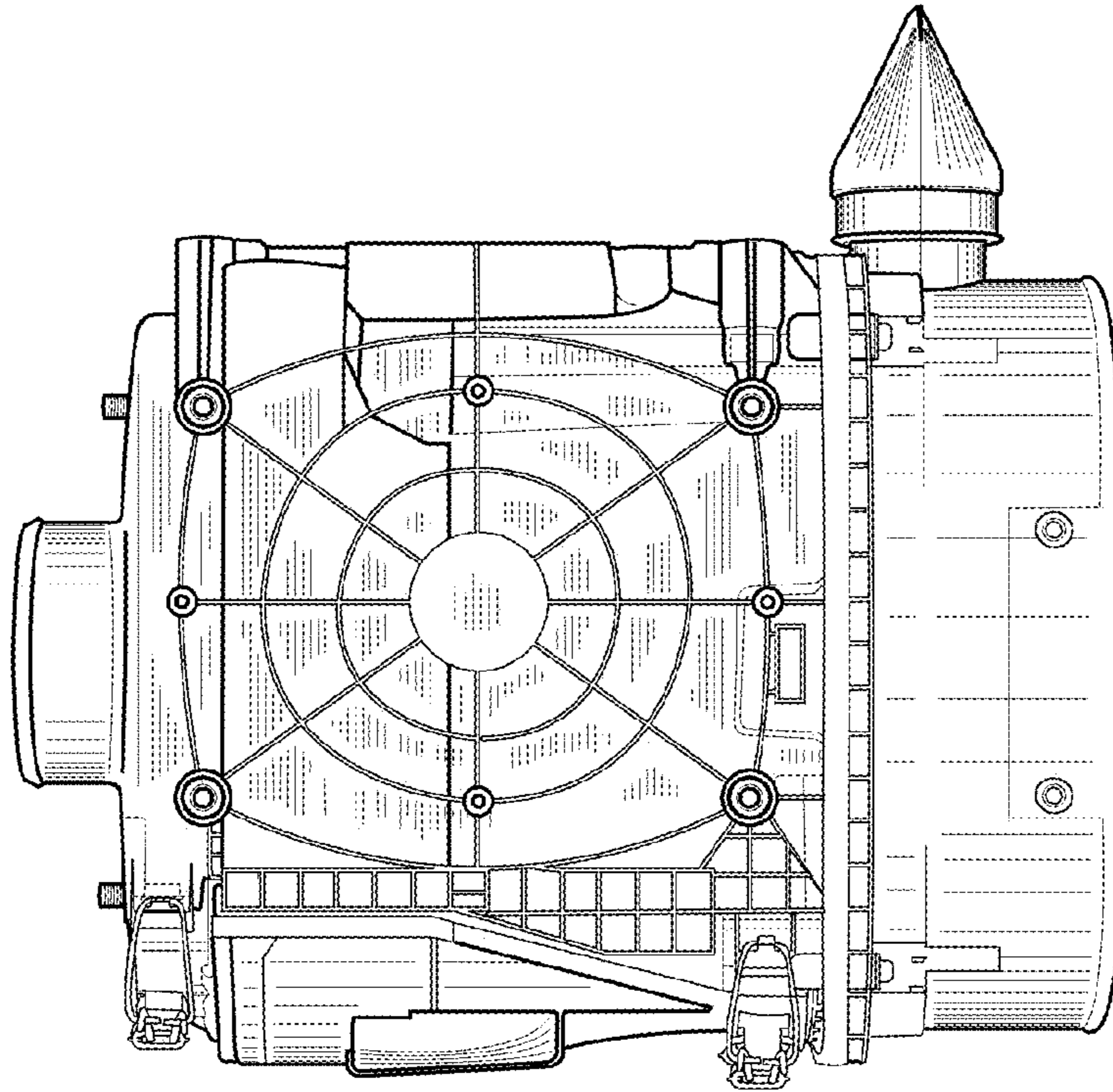


FIG. 6

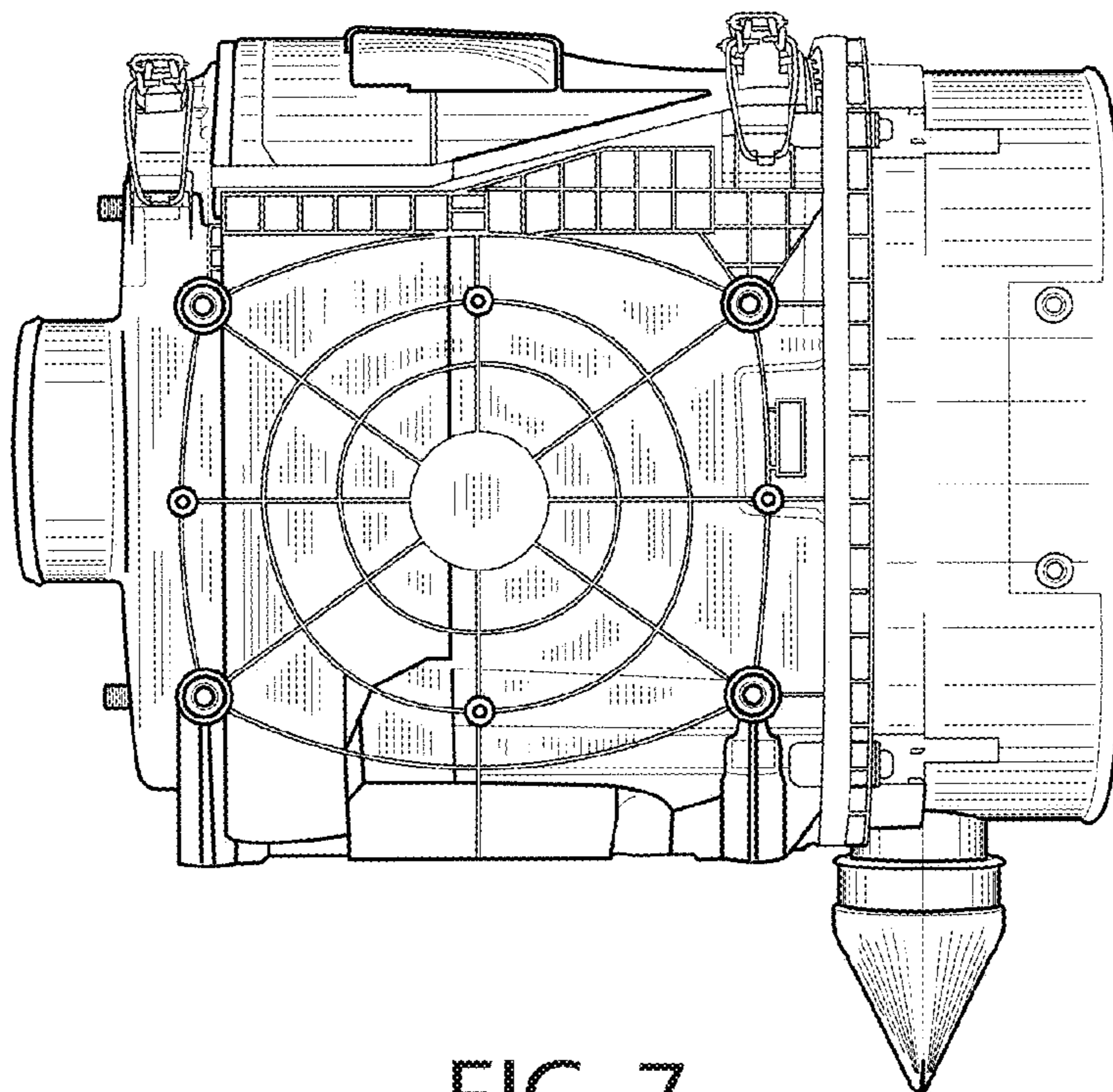


FIG. 7

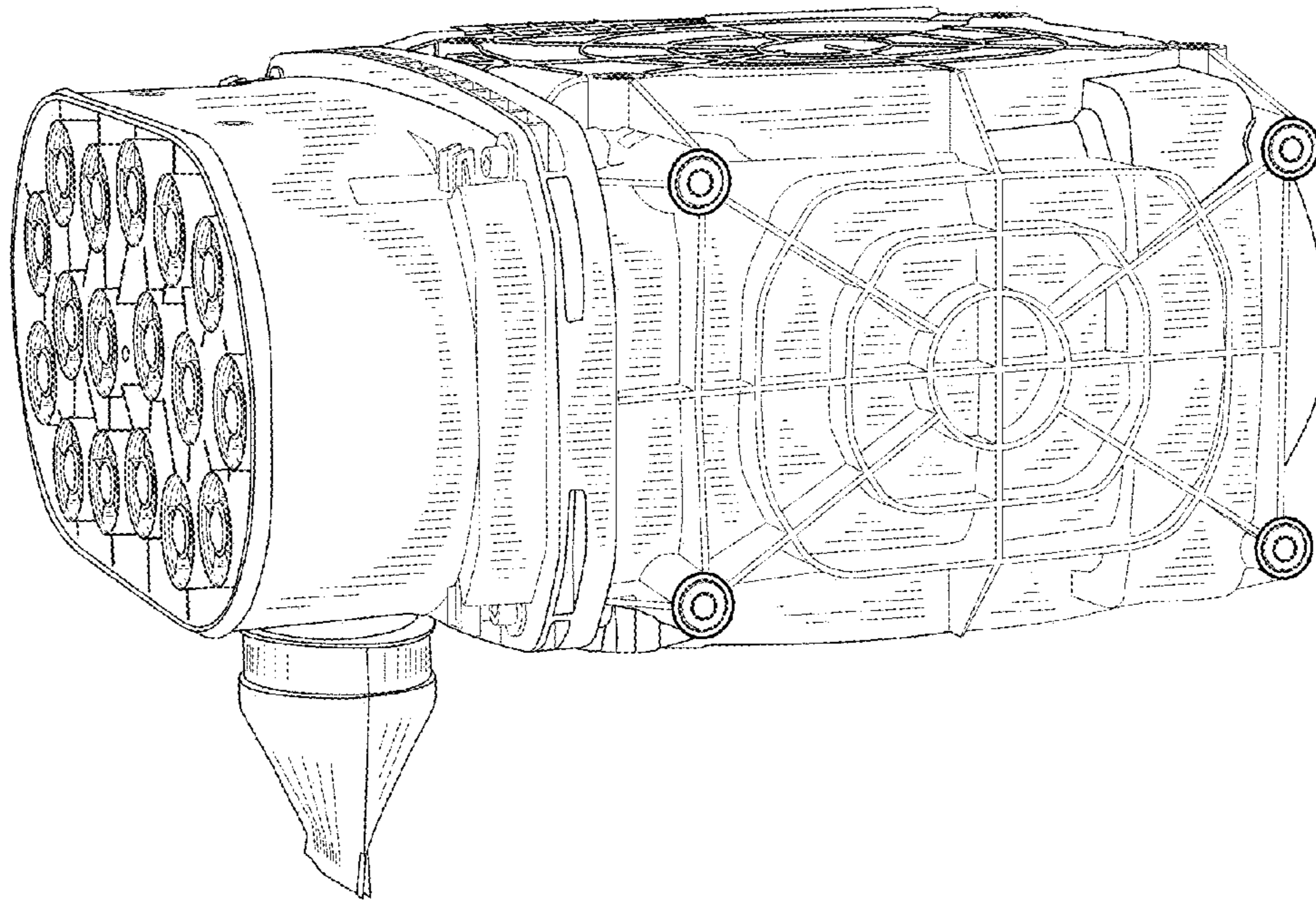


FIG. 8

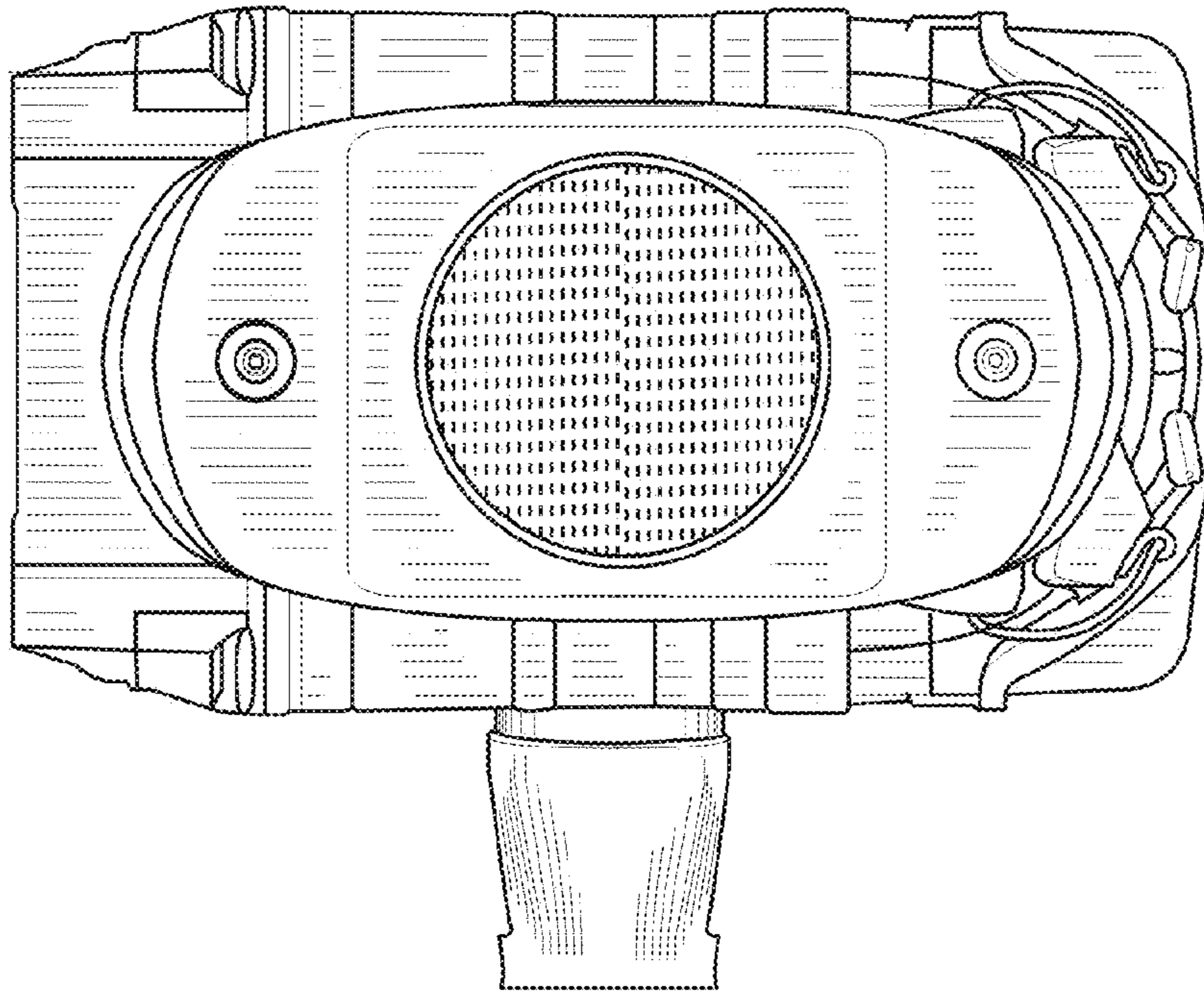


FIG. 9

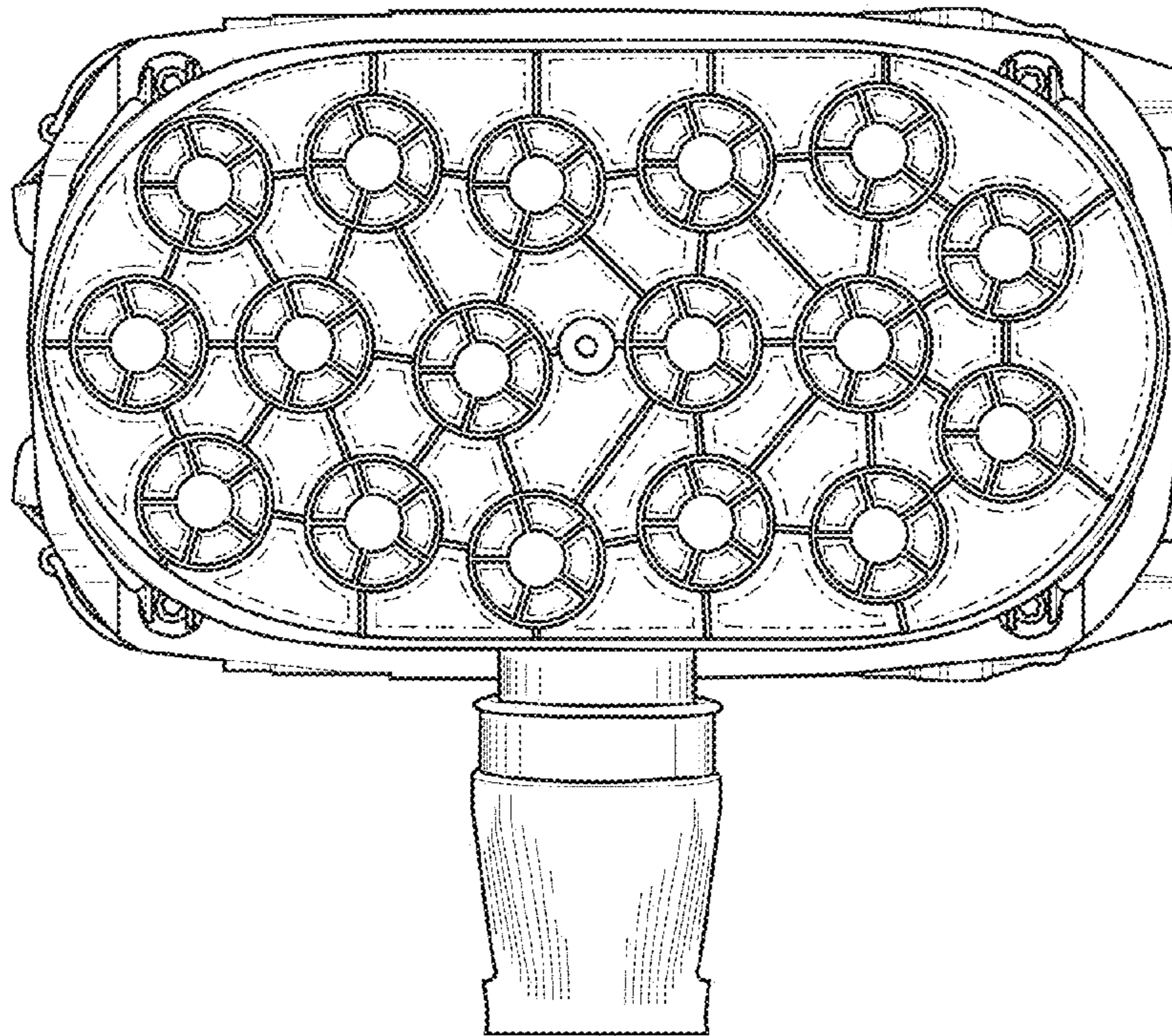


FIG. 10

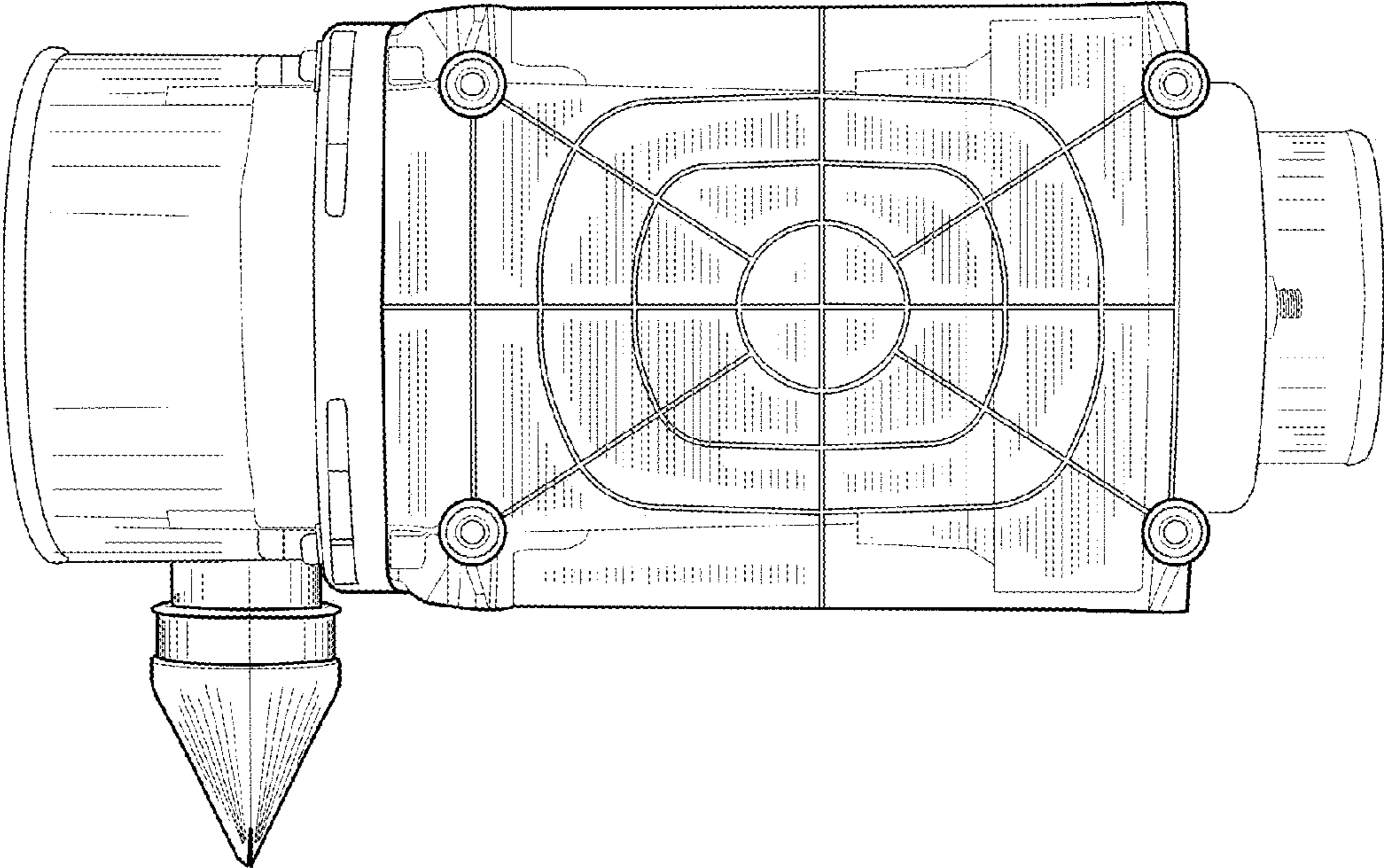


FIG. 11

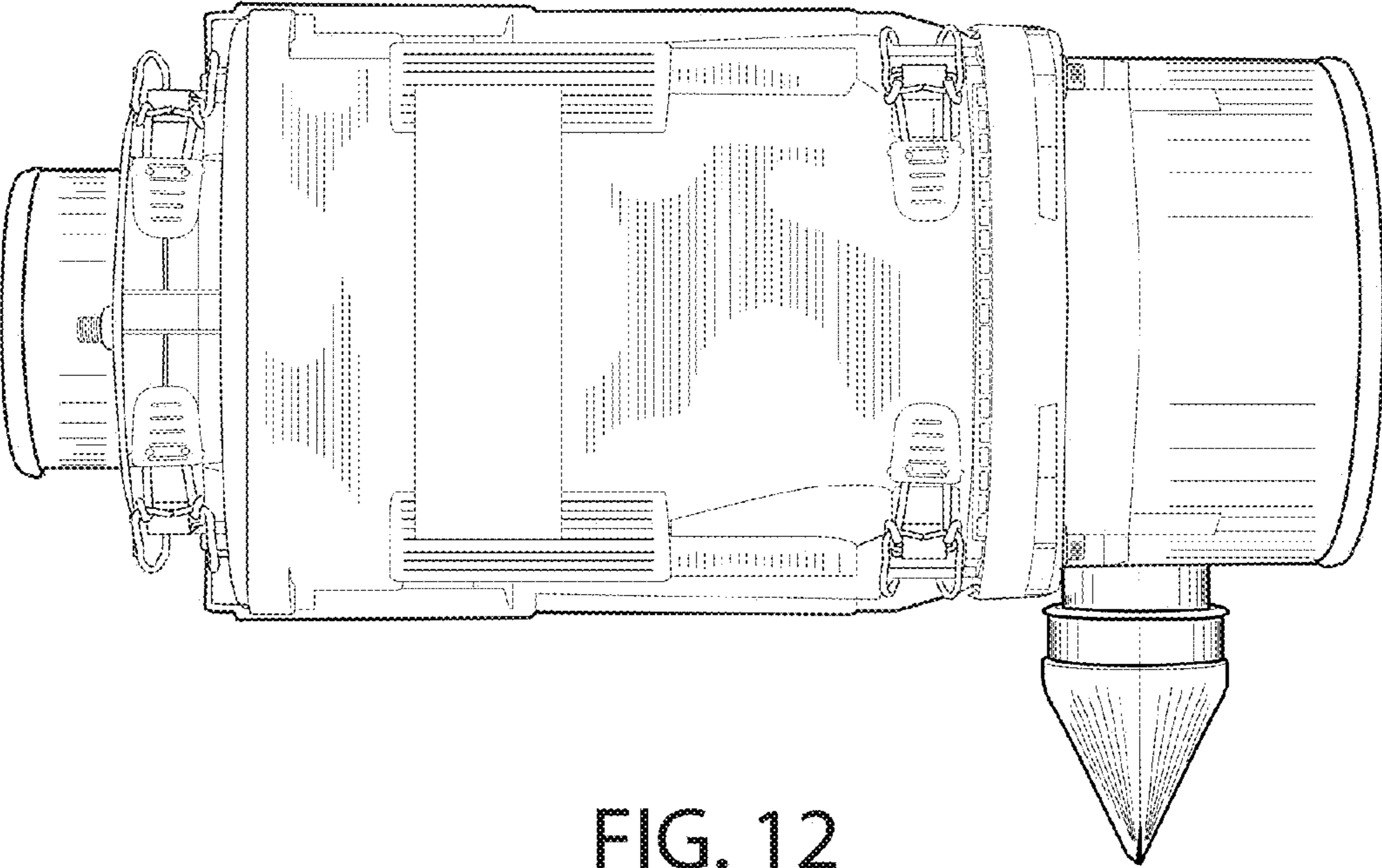


FIG. 12

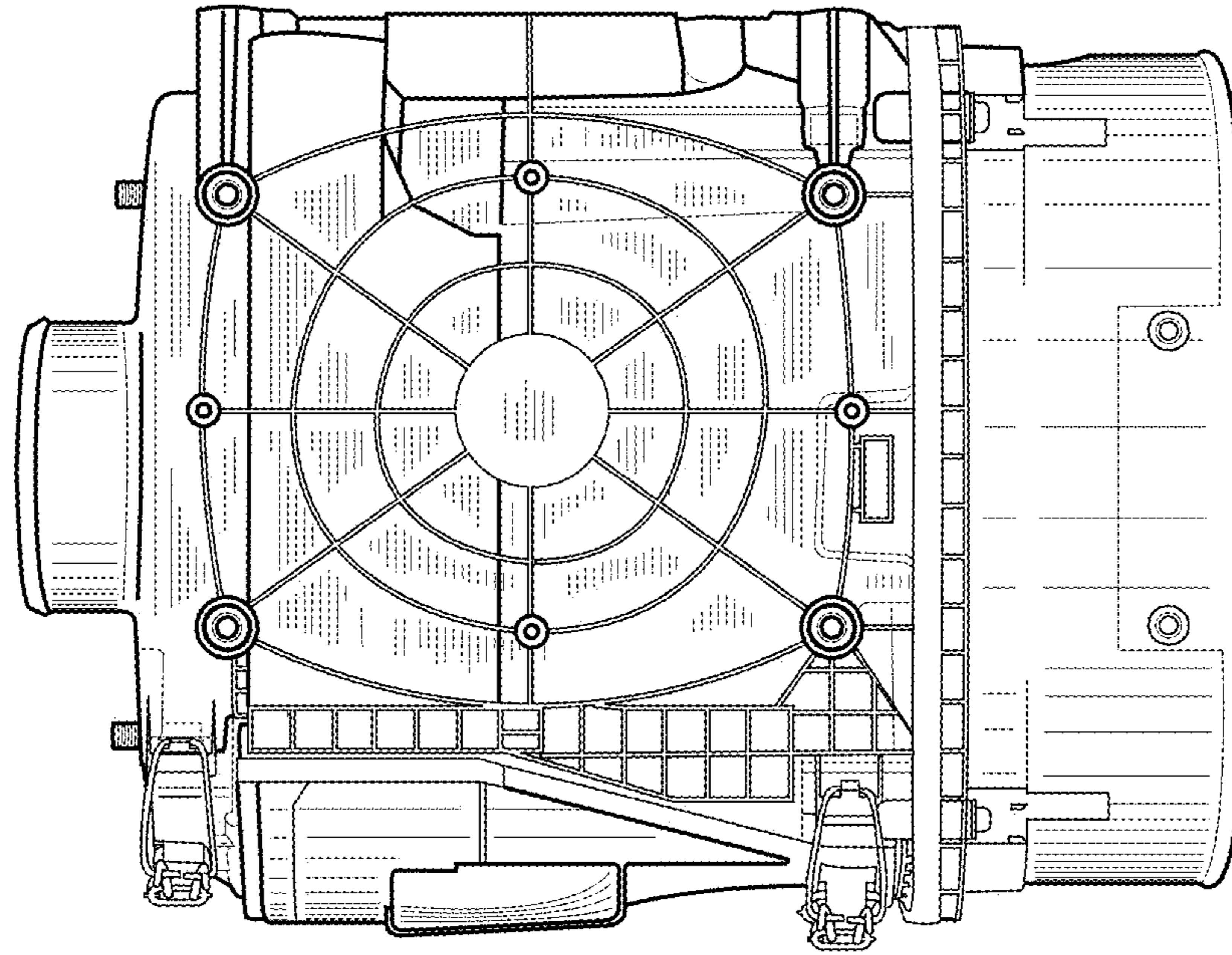


FIG. 13

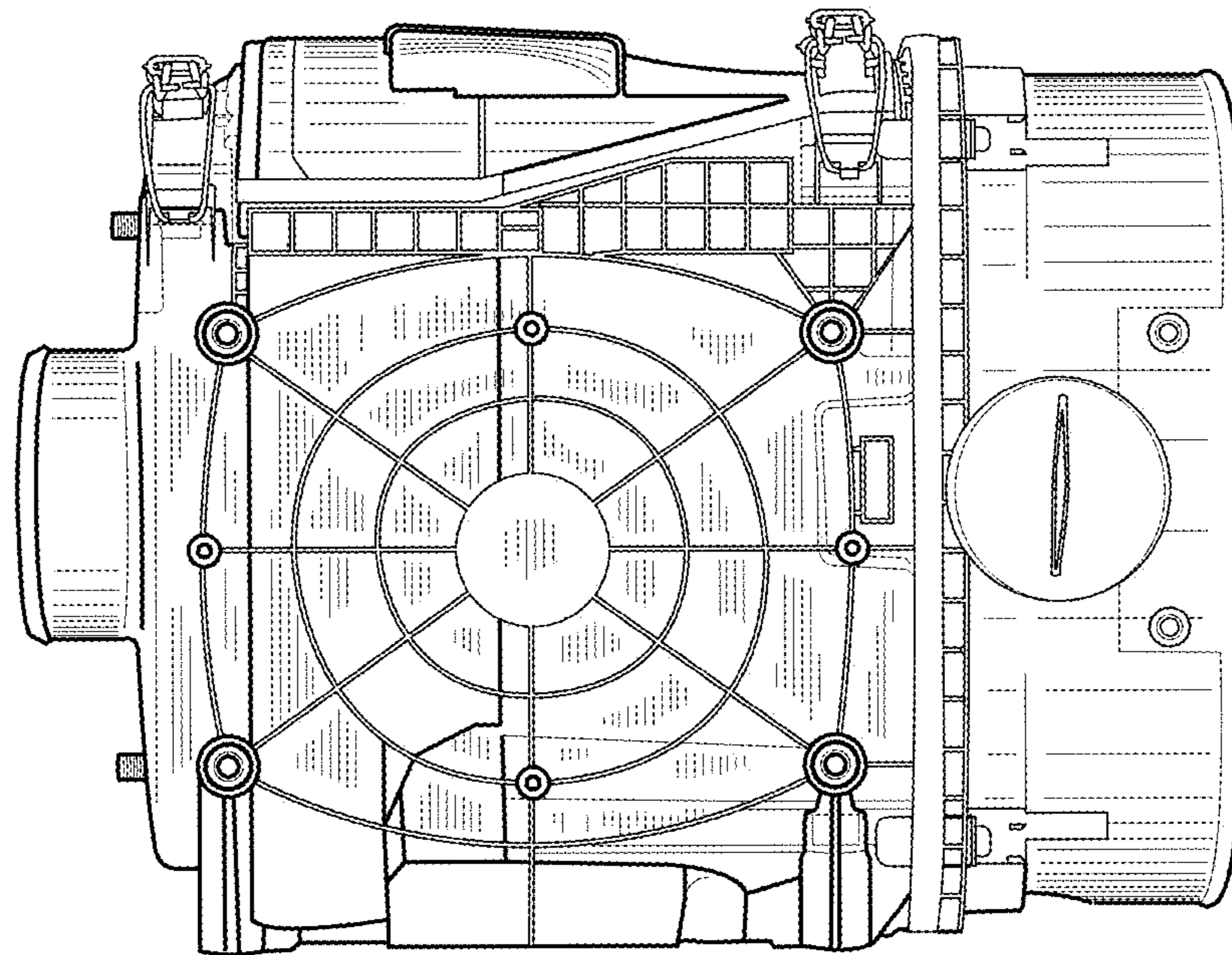


FIG. 14