



US00D749640S

(12) **United States Design Patent**
Wang

(10) **Patent No.:** **US D749,640 S**
(45) **Date of Patent:** **** Feb. 16, 2016**

(54) **MUSIC PLAYER**
(71) Applicant: **SHENZHEN QUESTYLE AUDIO TECHNOLOGY CO., LTD**, Shenzhen (CN)
(72) Inventor: **Fengshuo Wang**, Guangdong (CN)
(**) Term: **14 Years**
(21) Appl. No.: **29/514,770**
(22) Filed: **Jan. 16, 2015**

6,593,914 B1 * 7/2003 Nuovo G06F 1/1626 341/22
D490,786 S * 6/2004 Richards D14/137
D512,404 S * 12/2005 Yang D14/203.3
6,977,675 B2 * 12/2005 Kotzin G06F 1/1626 345/156
7,281,214 B2 * 10/2007 Fadell G06F 3/0238 345/172
D559,266 S * 1/2008 Oh D14/496
D597,521 S * 8/2009 Andre D14/203.3
D608,341 S * 1/2010 Nakagawa D14/137
7,647,129 B1 * 1/2010 Griffin, Jr. H04B 1/3822 700/94
D712,870 S * 9/2014 Kim D14/203.7
D717,763 S * 11/2014 Han D14/203.7

(30) **Foreign Application Priority Data**
Jan. 5, 2015 (CN) 2015 3 0001353
(51) **LOC (10) Cl.** **14-03**
(52) **U.S. Cl.**
USPC **D14/496**
(58) **Field of Classification Search**
USPC D14/496, 401, 435, 474, 483, 217, 137, D14/138, 160, 168, 356, 203.1–203.8, 507, D14/155, 138 R; 345/156, 169, 173–179, 345/905; 715/727–729, 864; 710/1, 5, 8; 713/1, 600; 455/1.1, 1.7, 73, 344–347, 455/93, 95, 3.01–3.06, 550.1, 573.1; 370/342–344; 369/1, 2, 6–12; 463/43–47; 273/148 B
CPC H04J 11/00; H04J 13/00; H04J 14/00
See application file for complete search history.

* cited by examiner

Primary Examiner — Prabhakar Deshmukh
(74) *Attorney, Agent, or Firm* — Prakash Nama; Global IP Services, PLLC

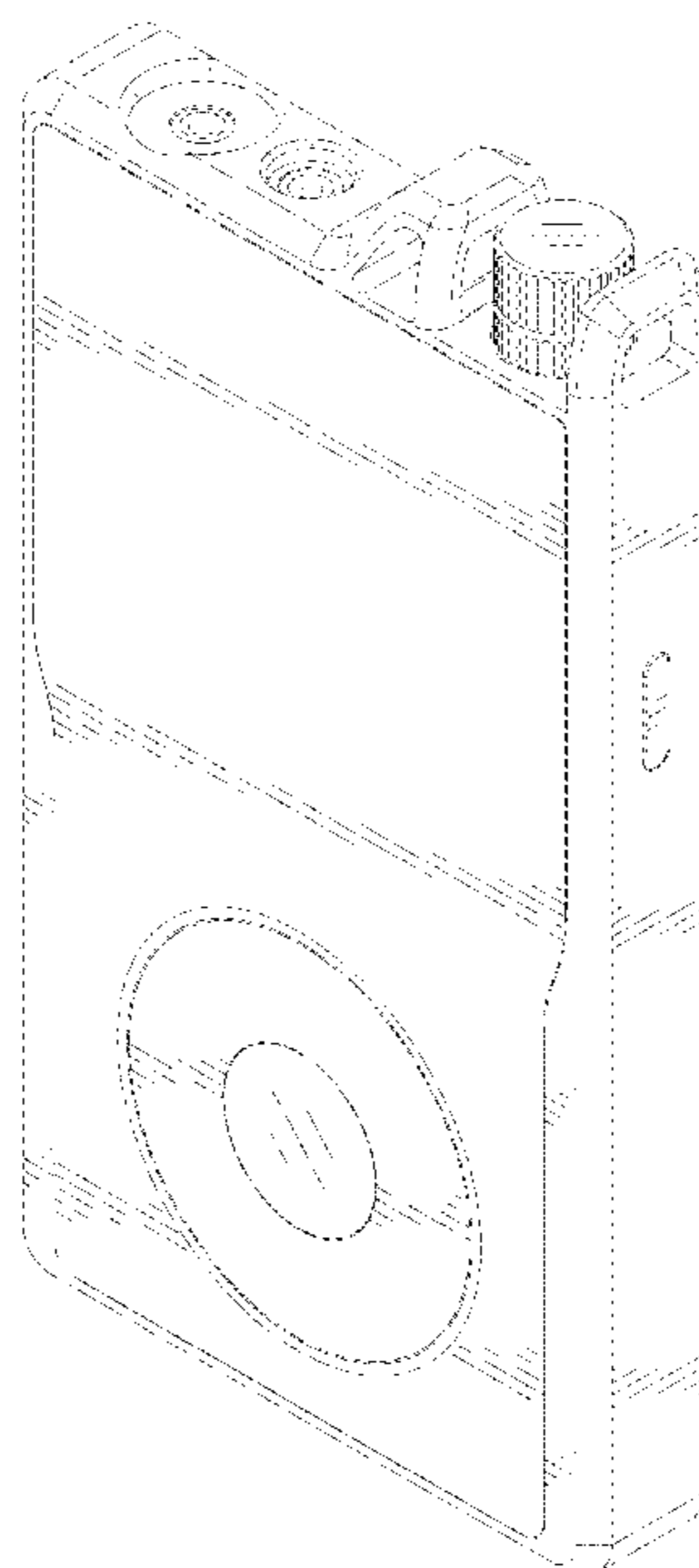
(56) **References Cited**
U.S. PATENT DOCUMENTS
4,856,088 A * 8/1989 Oliwa G08B 5/225 340/7.54
D351,169 S * 10/1994 Leung D14/188

(57) **CLAIM**
The ornamental design for a music player, as shown.

DESCRIPTION

FIG. 1 is a front elevational view of a music player showing my new design;
FIG. 2 is a rear elevational view thereof;
FIG. 3 is a left side view thereof;
FIG. 4 is a right side view thereof;
FIG. 5 is a top plan view thereof;
FIG. 6 is a bottom plan view thereof;
FIG. 7 is a perspective view thereof; and,
FIG. 8 is a perspective view thereof.

1 Claim, 6 Drawing Sheets



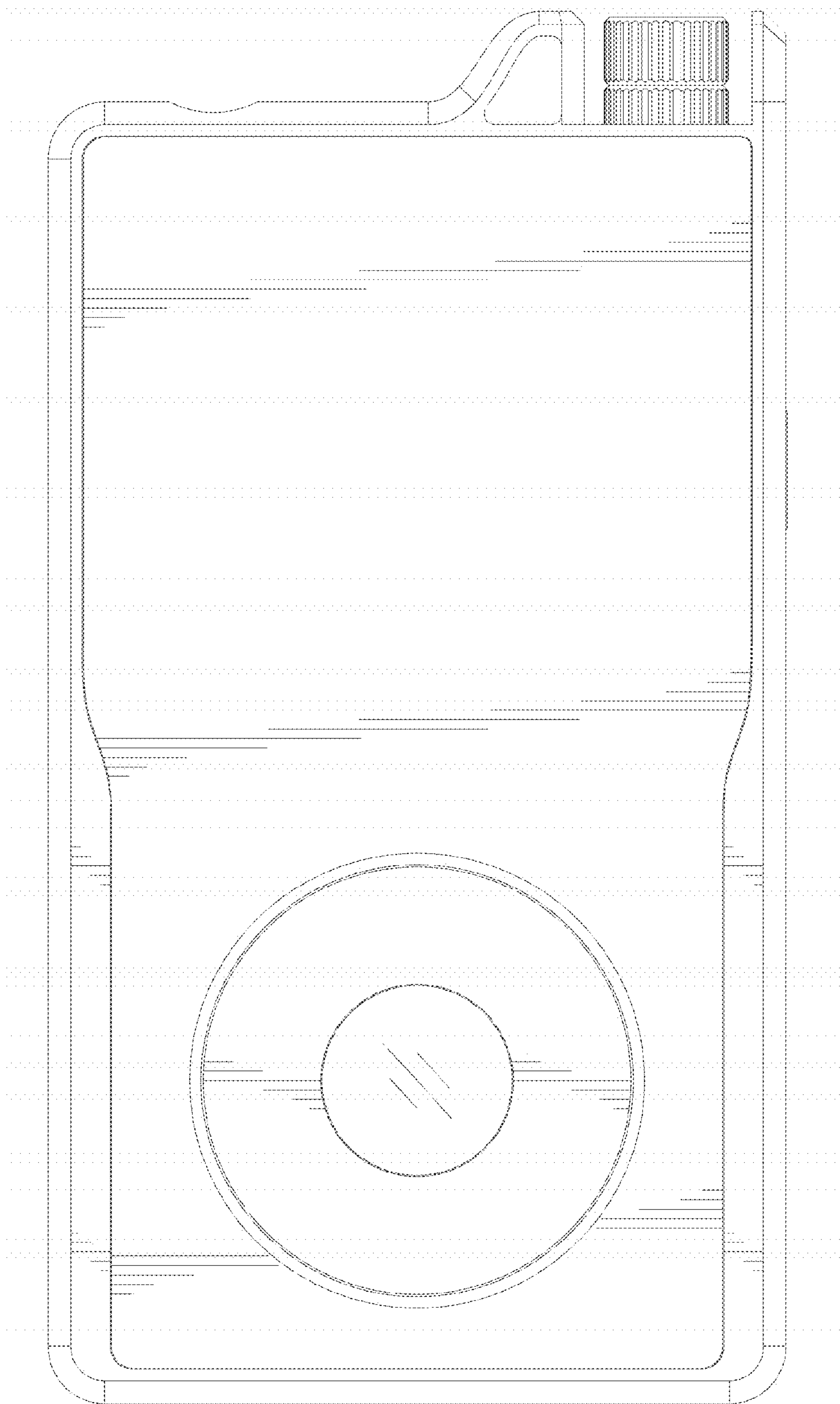


FIG. 1

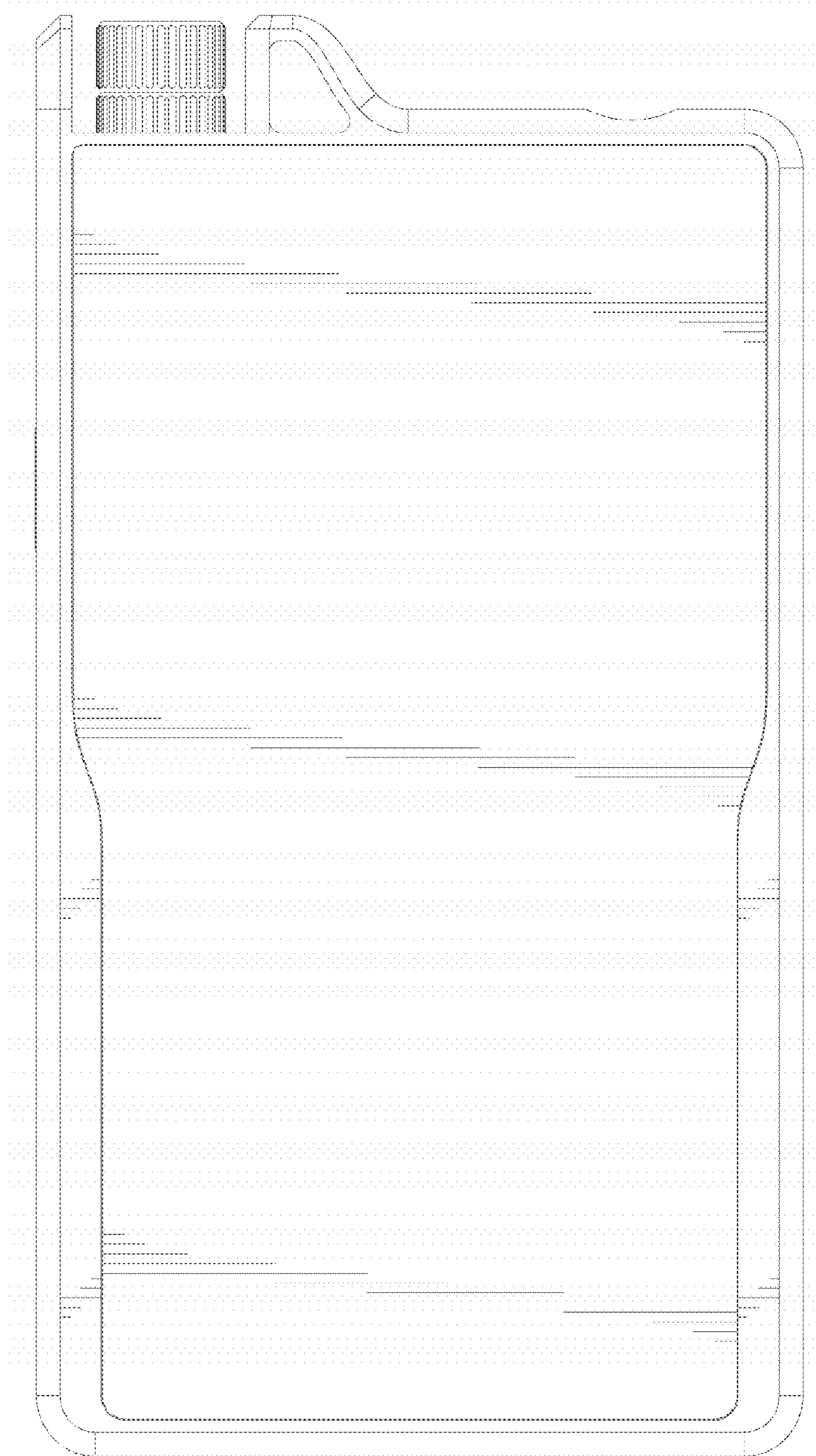


FIG. 2

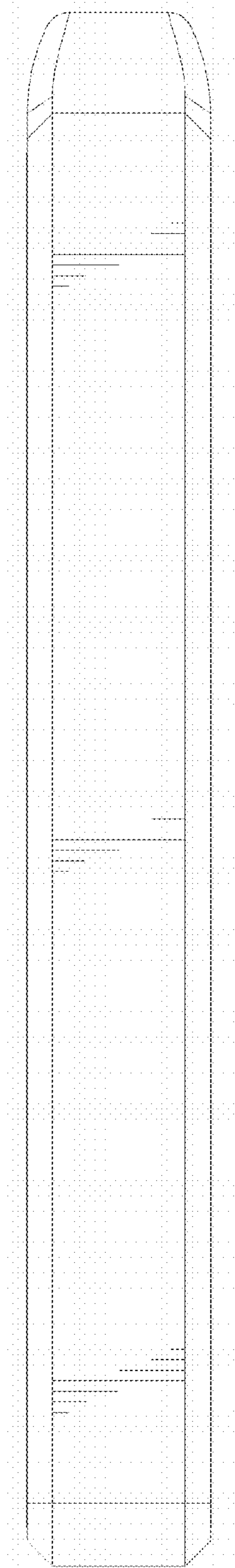


FIG. 3

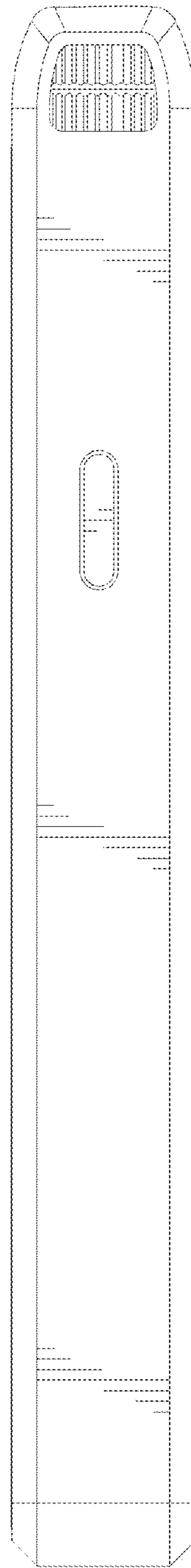


FIG. 4

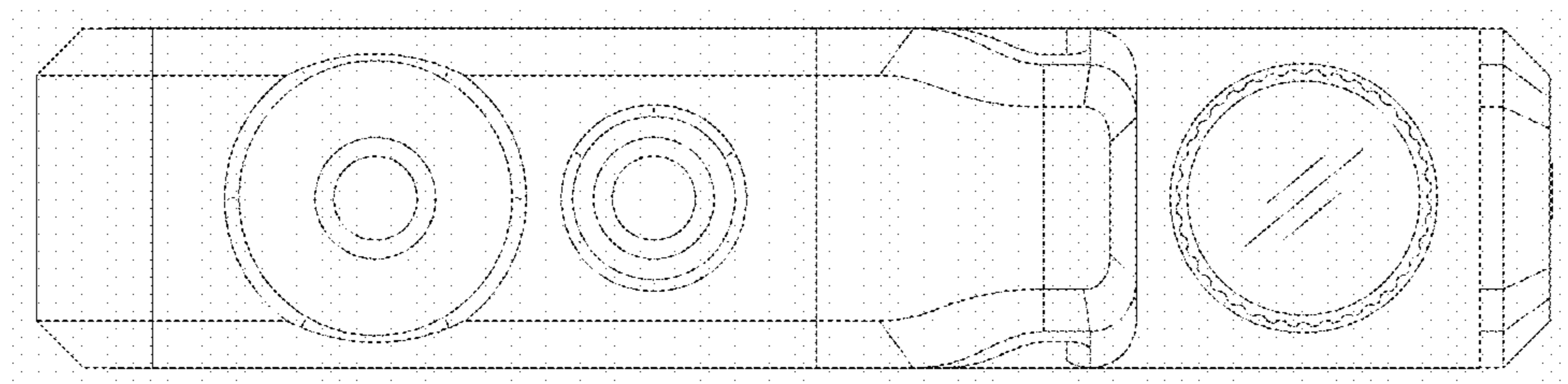


FIG. 5

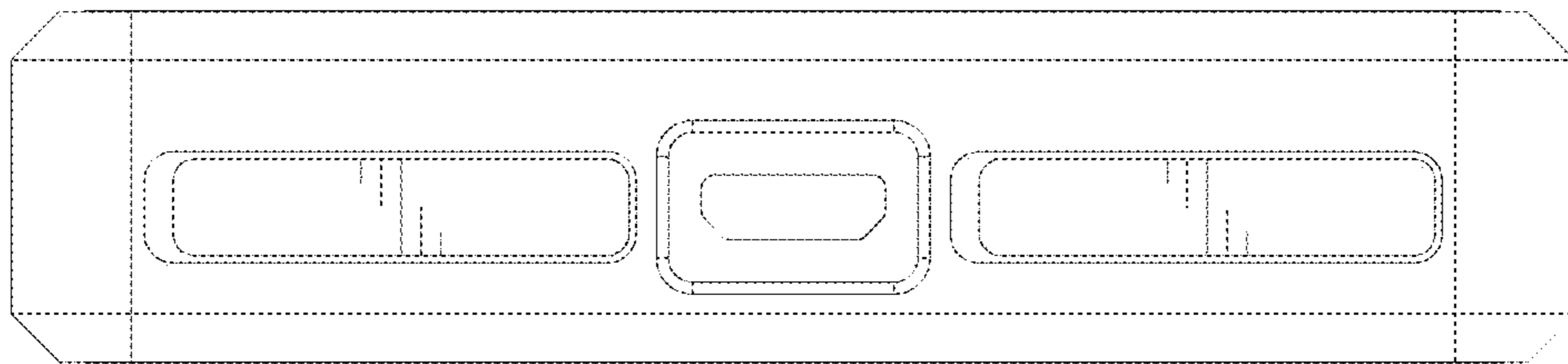


FIG. 6

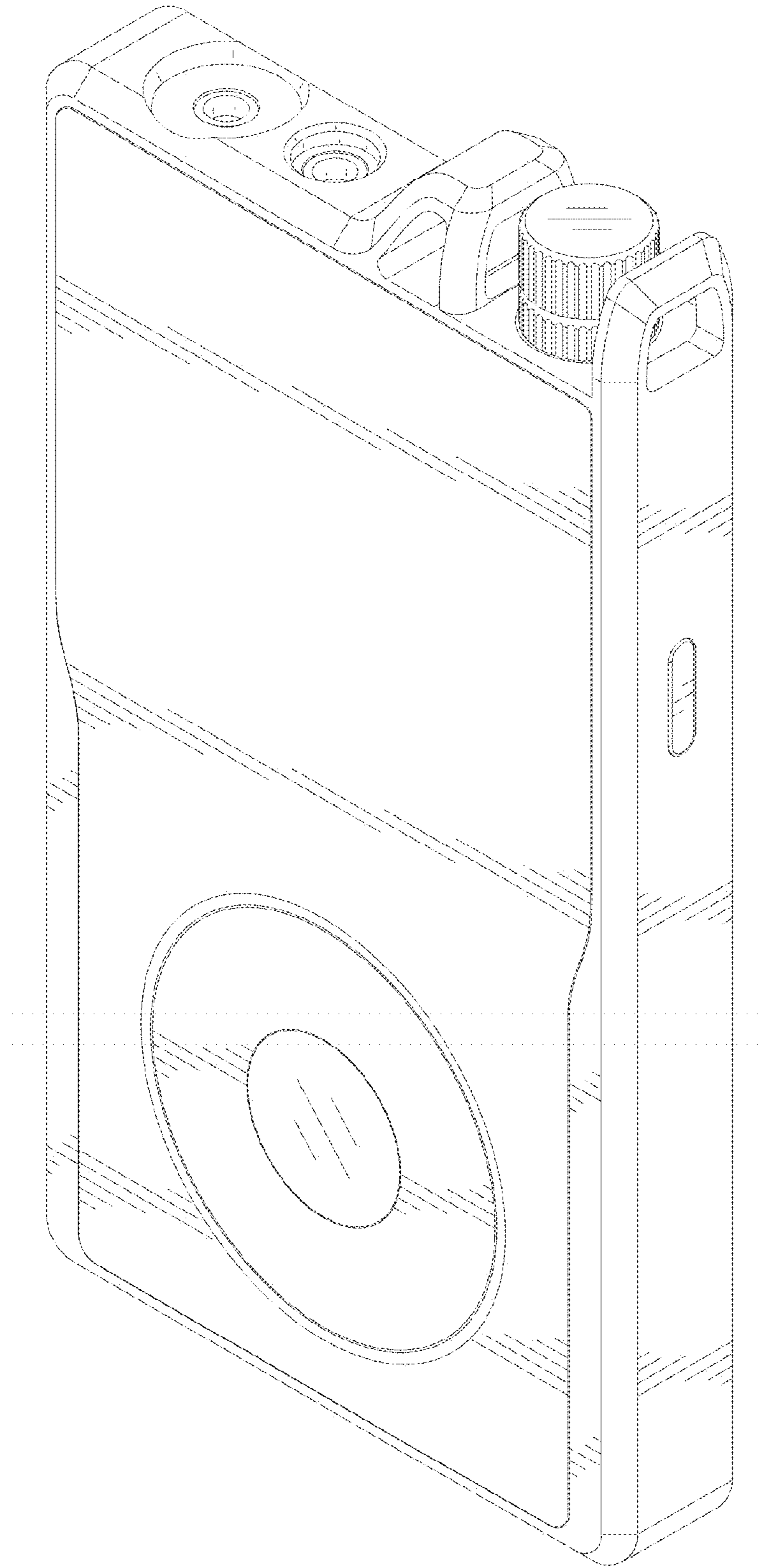


FIG. 7

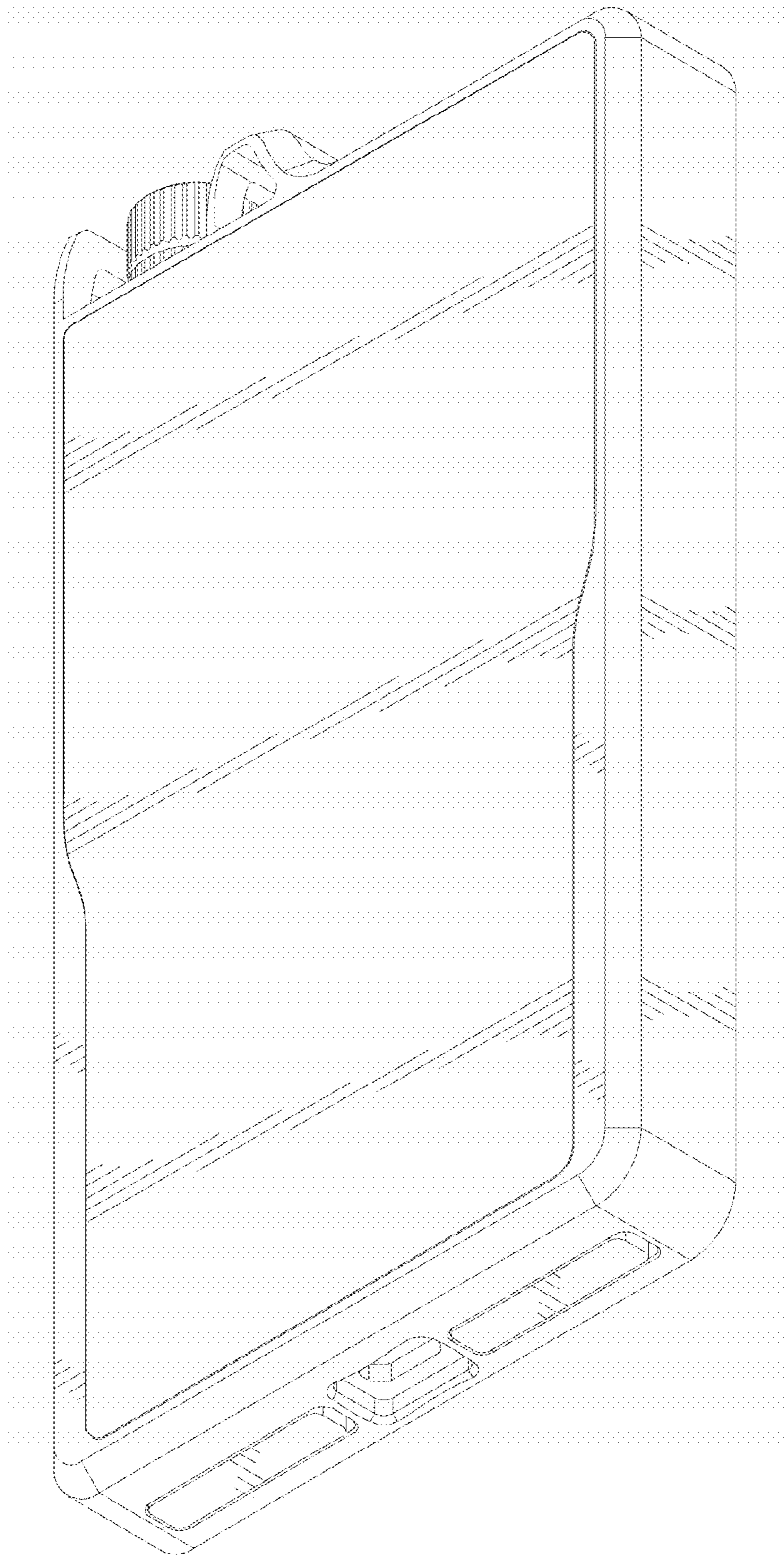


FIG. 8