



US00D749622S

(12) **United States Design Patent**
Chaudhri et al.

(10) **Patent No.:** **US D749,622 S**
(45) **Date of Patent:** **** Feb. 16, 2016**

(54) **DISPLAY SCREEN OR PORTION THEREOF WITH ANIMATED GRAPHICAL USER INTERFACE**

(71) Applicant: **Apple Inc.**, Cupertino, CA (US)

(72) Inventors: **Imran Chaudhri**, San Francisco, CA (US); **Jonathan P. Ive**, San Francisco, CA (US)

(73) Assignee: **Apple Inc.**, Cupertino, CA (US)

(**) Term: **14 Years**

(21) Appl. No.: **29/457,495**

(22) Filed: **Jun. 10, 2013**

(51) **LOC (10) Cl.** **14-04**

(52) **U.S. Cl.**
USPC **D14/488**

(58) **Field of Classification Search**
USPC D14/485–495
CPC G06F 3/0482; G06F 3/04842; G06F 3/04817; G06F 3/048; G06F 17/211; G06F 17/212
See application file for complete search history.

(56) **References Cited**

U.S. PATENT DOCUMENTS

D559,857 S *	1/2008	Van Dongen	D14/488
7,383,510 B2 *	6/2008	Pry	G06F 17/30864 707/E17.108
D625,323 S *	10/2010	Matsushima	D14/487
D627,790 S	11/2010	Chaudhri		
D633,918 S	3/2011	Vance et al.		
D637,604 S	5/2011	Brinda		
D651,608 S	1/2012	Allen et al.		
D660,864 S	5/2012	Anzures et al.		
D671,557 S	11/2012	Peters et al.		
D733,747 S *	7/2015	Jeong	D14/488
D736,246 S *	8/2015	Zhang	D14/488
2009/0271723 A1 *	10/2009	Matsushima	G06F 3/0482 715/769
2010/0125786 A1 *	5/2010	Ozawa	G06F 3/04845 715/702

2012/0017147 A1 *	1/2012	Mark	G06F 1/1639 715/702
2013/0036384 A1 *	2/2013	Murata	G06F 3/0482 715/815
2013/0254717 A1 *	9/2013	Al-Ali	G06F 3/0488 715/830
2014/0082497 A1 *	3/2014	Chalouhi	G06F 17/30064 715/716
2014/0229895 A1 *	8/2014	Noda	G06F 3/0488 715/830
2014/0282208 A1 *	9/2014	Chaudhri	G06F 3/04883 715/779

OTHER PUBLICATIONS

U.S. Appl. No. 29/419,402, filed Apr. 27, 2012.

* cited by examiner

Primary Examiner — Karen E Kearney

Assistant Examiner — John Reickel

(74) *Attorney, Agent, or Firm* — Sterne, Kessler, Goldstein & Fox P.L.L.C.

(57) **CLAIM**

The ornamental design for a display screen or portion thereof with animated graphical user interface, as shown and described.

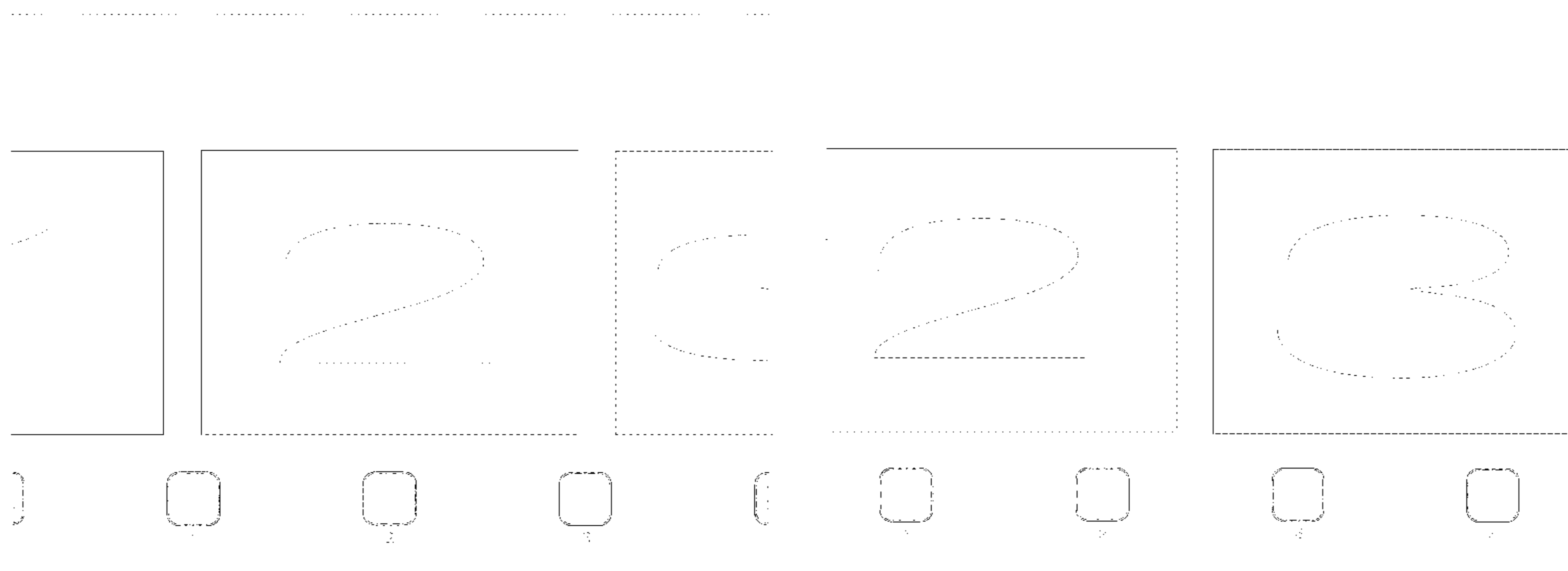
DESCRIPTION

FIG. 1 is a front view of a display screen or portion thereof with animated graphical user interface showing a first image in the sequence showing our new design; FIG. 2 is a second image thereof; FIG. 3 is a third image thereof; FIG. 4 is a fourth image thereof; and, FIG. 5 is a fifth image thereof.

The outermost dashed broken lines in the figures show a display screen or portion thereof, and form no part of the claimed design. The other dashed broken lines in the figures show portions of the animated graphical user interface that form no part of the claimed design. The dot-dash lines in the figures and the areas within the dot-dash lines show portions of the animated graphical user interface that form no part of the claimed design.

The appearance of the animated images sequentially transitions between the images shown in FIGS. 1 through 5. The process or period in which one image transitions to another forms no part of the claimed design.

1 Claim, 5 Drawing Sheets



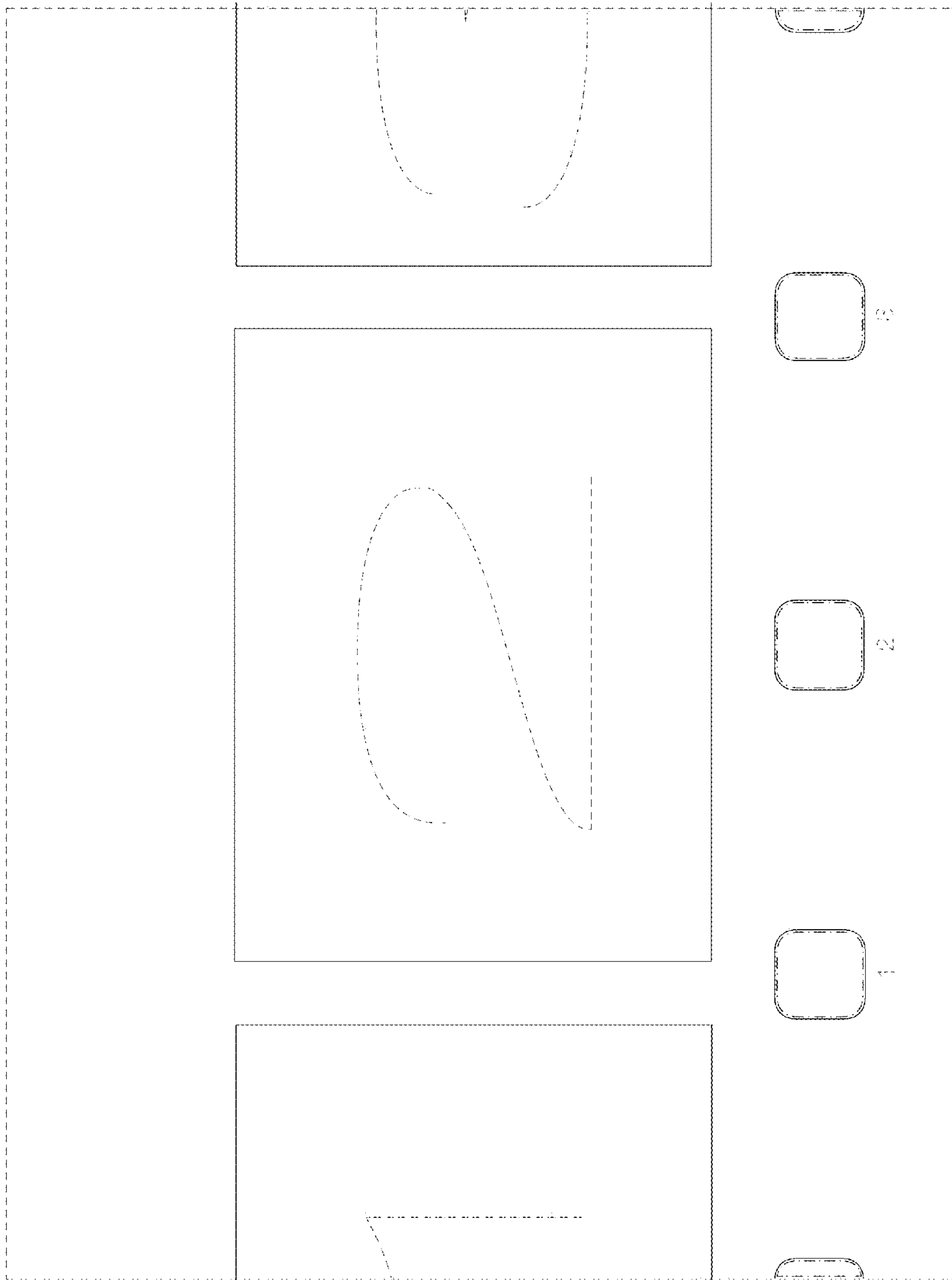


FIG. 1

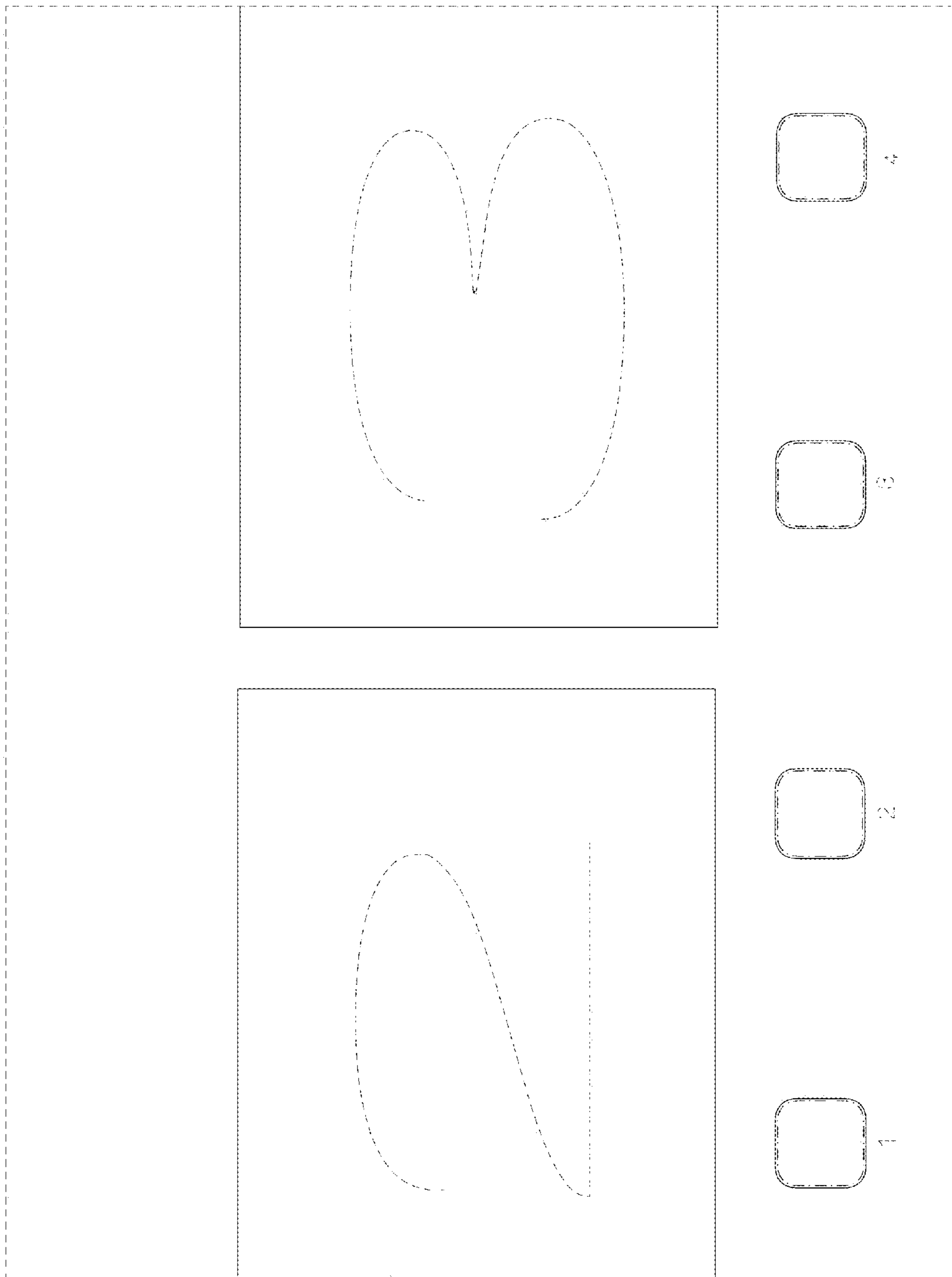


FIG. 2

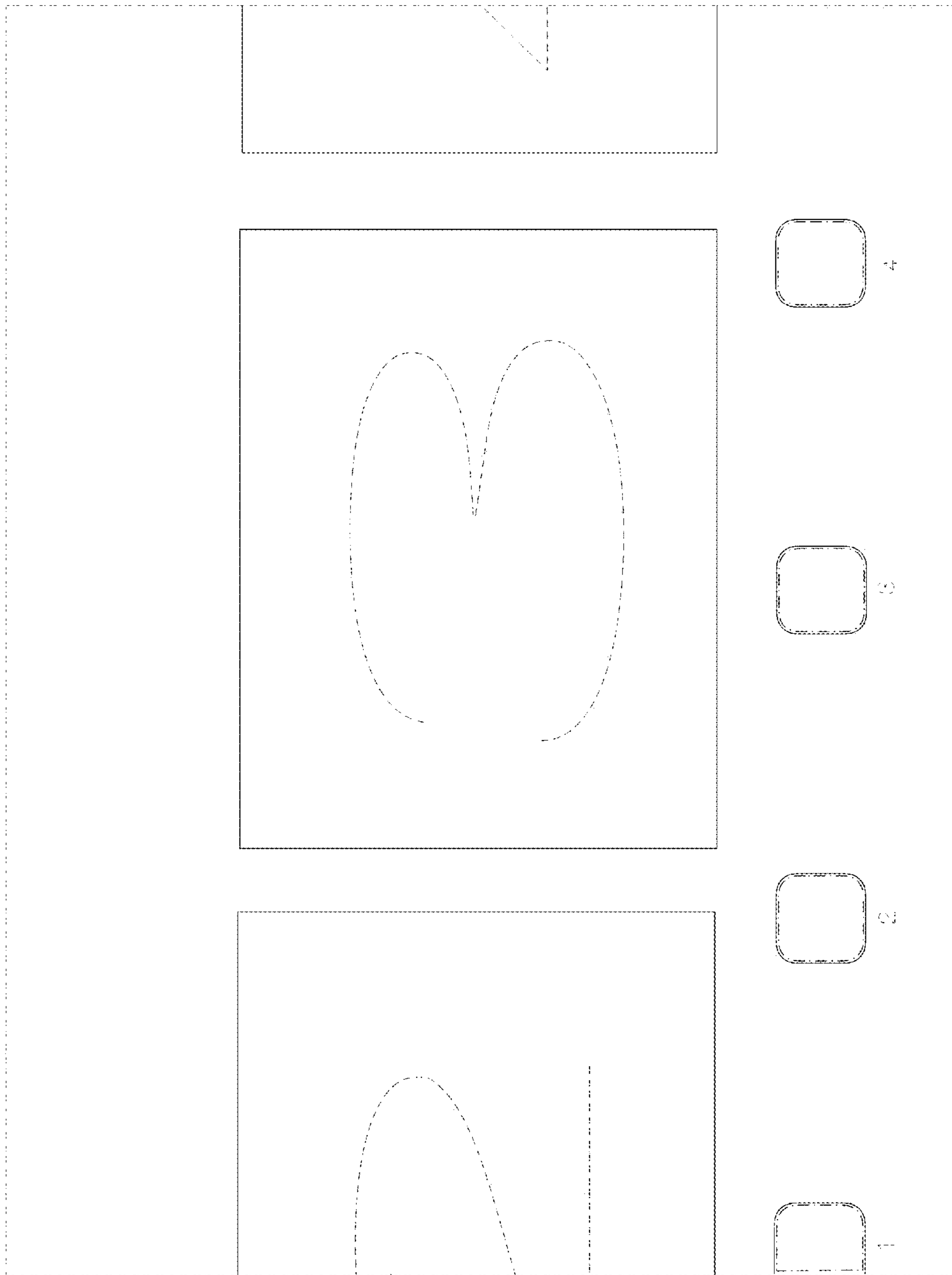


FIG. 3

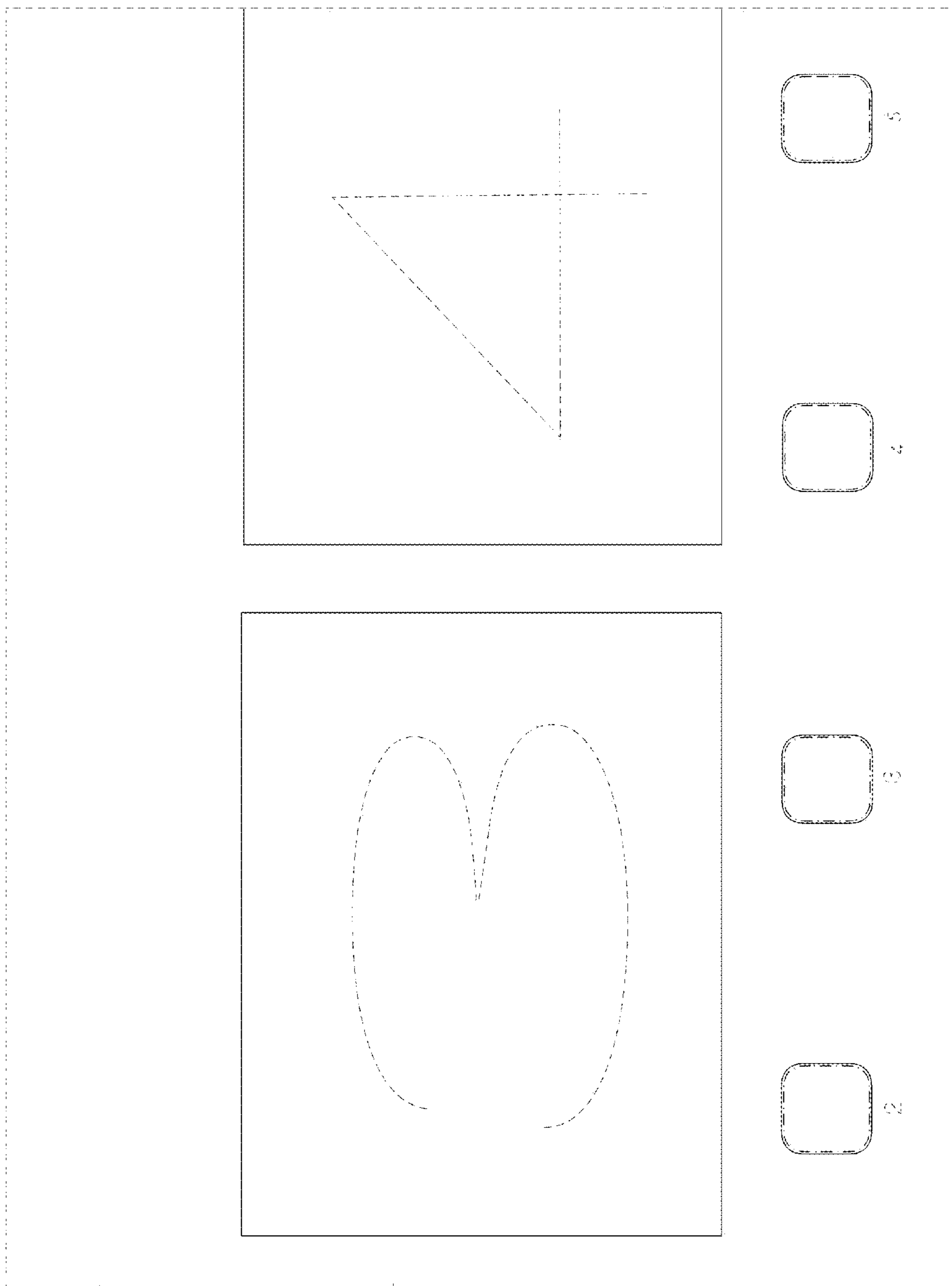


FIG. 4

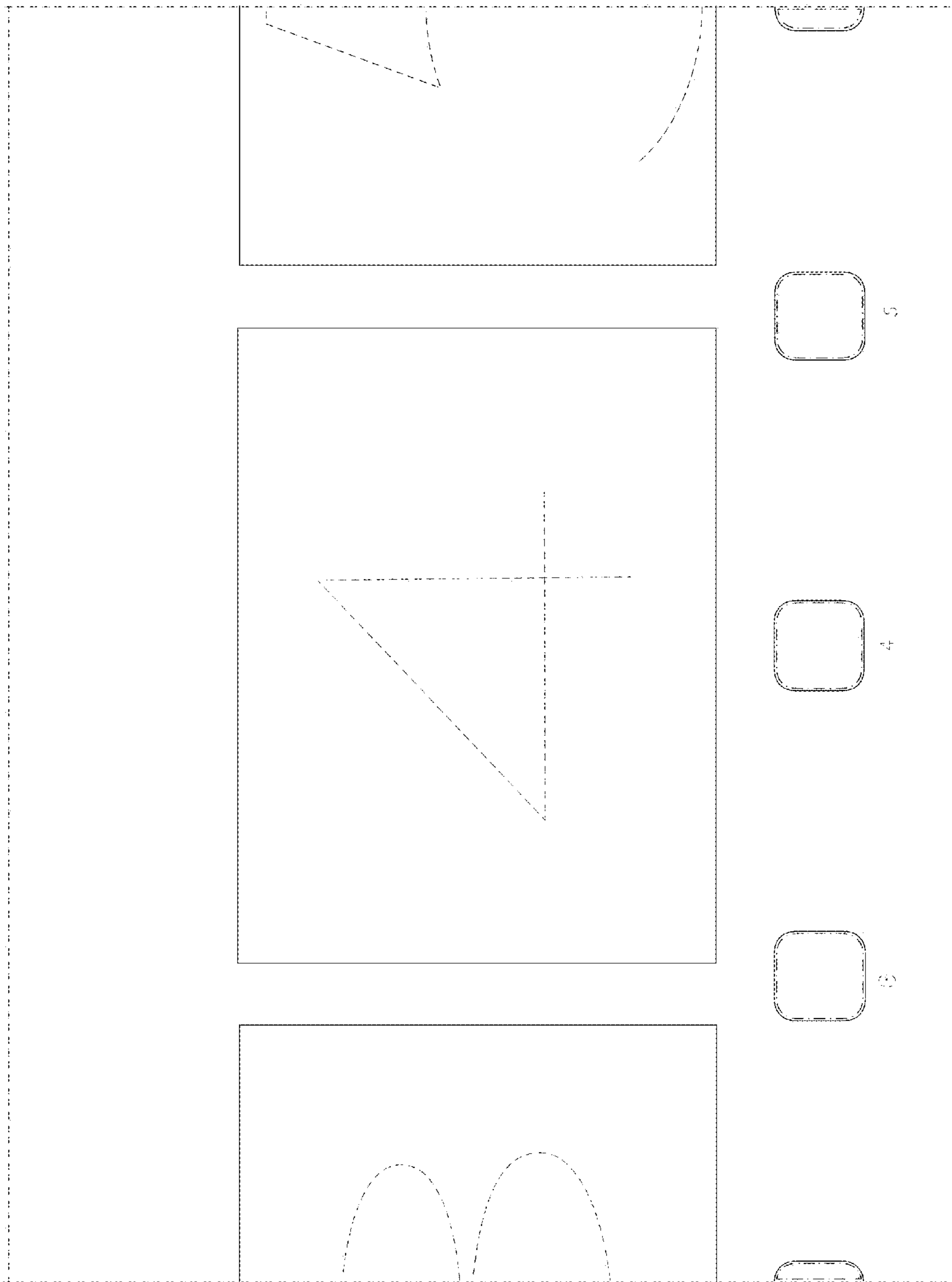


FIG. 5