

US00D749606S

(12) **United States Design Patent**  
**Wang**

(10) **Patent No.:** **US D749,606 S**

(45) **Date of Patent:** **\*\* Feb. 16, 2016**

(54) **DISPLAY SCREEN WITH GRAPHICAL USER INTERFACE**

(71) Applicant: **Lenovo (Beijing) Co., Ltd.**, Beijing (CN)

(72) Inventor: **Renjie Wang**, Beijing (CN)

(73) Assignee: **LENOVO (BEIJING) CO., LTD.**, Beijing (CN)

(\*\*) Term: **14 Years**

(21) Appl. No.: **29/445,479**

(22) Filed: **Feb. 12, 2013**

(30) **Foreign Application Priority Data**

Dec. 27, 2012 (CN) ..... 2012 3 0656619

(51) **LOC (10) CL.** ..... **14-04**

(52) **U.S. CL.**  
USPC ..... **D14/486**

(58) **Field of Classification Search**  
USPC ..... D14/485-495  
CPC .... G06F 3/048; G06F 3/04817; G06F 3/0482  
See application file for complete search history.

(56) **References Cited**

**U.S. PATENT DOCUMENTS**

D124,670 S *	1/1941	Ruderman	.....	D6/453
D384,341 S *	9/1997	Hoffman et al.	.....	D14/486
D396,455 S *	7/1998	Bier	.....	D14/489
D456,028 S *	4/2002	Sakata	.....	D14/488
D461,822 S *	8/2002	Okuley	.....	D14/489
6,448,987 B1 *	9/2002	Easty et al.	.....	715/834
D473,151 S *	4/2003	Sedlak et al.	.....	D10/103
D480,092 S *	9/2003	Kreikemeier et al.	.....	D14/486
D493,471 S *	7/2004	McIntosh	.....	D14/485
D500,766 S *	1/2005	Hanisch et al.	.....	D14/489
D505,135 S *	5/2005	Sapp et al.	.....	D14/489

D507,002 S *	7/2005	Retuta et al.	.....	D14/486
D523,441 S *	6/2006	Sapp et al.	.....	D14/486
D534,541 S *	1/2007	Retuta et al.	.....	D14/486
D544,495 S *	6/2007	Evans et al.	.....	D14/488
D544,496 S *	6/2007	Evans et al.	.....	D14/489
D545,231 S *	6/2007	Waldman	.....	D10/125
D545,323 S *	6/2007	Decombe	.....	D14/485
D545,324 S *	6/2007	Decombe	.....	D14/485
D550,696 S *	9/2007	Kortum et al.	.....	D14/491
D554,660 S *	11/2007	Hoover et al.	.....	D14/487
D554,661 S *	11/2007	Hoover et al.	.....	D14/487
D561,193 S *	2/2008	O'Mullan et al.	.....	D14/489
D563,972 S *	3/2008	Sherry	.....	D14/487
D566,722 S *	4/2008	Jackson	.....	D14/489
D574,395 S *	8/2008	Loretan et al.	.....	D14/487
D591,305 S *	4/2009	Shimoda	.....	D14/485
D593,107 S *	5/2009	Shimoda et al.	.....	D14/485
D599,814 S *	9/2009	Ogura et al.	.....	D14/489
D602,033 S *	10/2009	Vu et al.	.....	D14/485
D606,091 S *	12/2009	O'Donnell et al.	.....	D14/489
D607,007 S *	12/2009	Kocmick	.....	D14/489
D607,009 S *	12/2009	McEnaney	.....	D14/489
D614,192 S *	4/2010	Takano et al.	.....	D14/486
7,692,635 B2 *	4/2010	Iwamura	.....	345/172

(Continued)

*Primary Examiner* — Kevin Rudzinski

(74) *Attorney, Agent, or Firm* — Brinks Gilson & Lione; G. Peter Nichols

(57) **CLAIM**

The ornamental design for a display screen with graphical user interface, as shown and described.

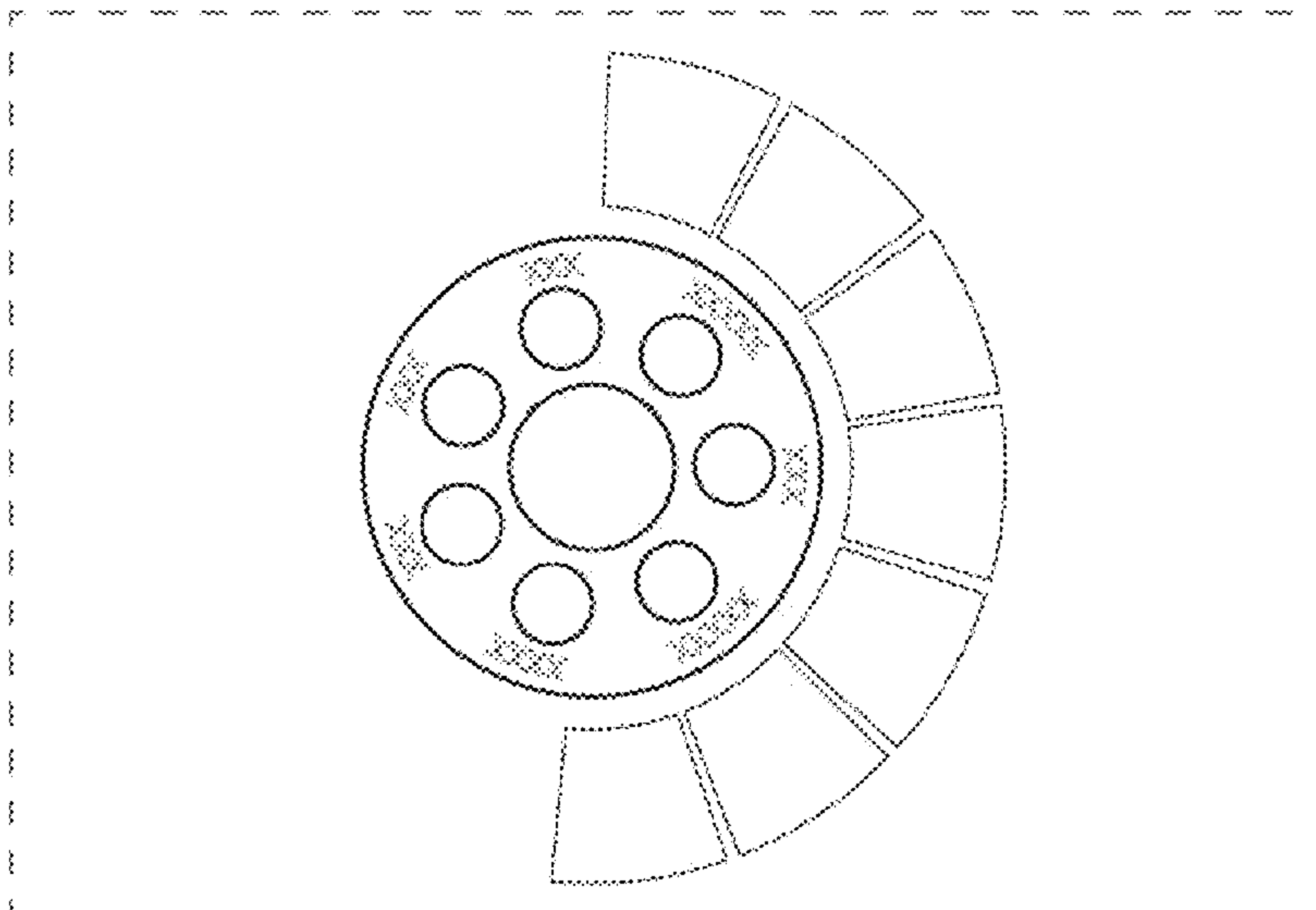
**DESCRIPTION**

The FIGURE is a front view of a display screen with graphical user interface showing my new design.

The broken lines showing portions of the graphical user interface, such as the "X"s, are included to demonstrate environment and form no part of the claimed design.

The broken lines illustrating the display screen form no part of the claimed design.

**1 Claim, 1 Drawing Sheet**



(56)

References Cited

U.S. PATENT DOCUMENTS

D619,614 S *	7/2010	O'Mullan et al. ....	D14/489	D702,251 S *	4/2014	Kotler et al. ....	D14/487
D623,658 S *	9/2010	Fitzmaurice et al. ....	D14/489	D704,213 S *	5/2014	Agnew .....	D14/487
D625,319 S *	10/2010	Allen et al. ....	D14/485	D708,203 S *	7/2014	Johnson .....	D14/487
D625,328 S *	10/2010	Fitzmaurice et al. ....	D14/489	D708,221 S *	7/2014	Danton et al. ....	D14/492
D626,876 S *	11/2010	Jones .....	D10/124	D709,898 S *	7/2014	Sloo et al. ....	D14/485
D630,644 S *	1/2011	Wilson .....	D14/486	D710,367 S *	8/2014	Quattrocchi .....	D14/485
D630,646 S *	1/2011	Wilson .....	D14/487	D711,904 S *	8/2014	Sundy et al. ....	D14/486
D630,647 S *	1/2011	Wilson .....	D14/487	D711,905 S *	8/2014	Morrison et al. ....	D14/486
D635,987 S *	4/2011	Mays et al. ....	D14/487	D712,911 S *	9/2014	Pearson et al. ....	D14/486
D635,988 S *	4/2011	Mays et al. ....	D14/487	D714,317 S *	9/2014	Pereira .....	D14/485
7,992,102 B1 *	8/2011	De Angelo .....	715/834	D714,320 S *	9/2014	Pereira .....	D14/485
D645,470 S *	9/2011	Matas .....	D14/489	D714,321 S *	9/2014	Pereira .....	D14/485
D650,392 S *	12/2011	Glezer et al. ....	D14/486	D714,322 S *	9/2014	Pereira .....	D14/485
D654,925 S *	2/2012	Nishizawa et al. ....	D14/488	D716,315 S *	10/2014	Behzadi et al. ....	D14/485
8,151,209 B2 *	4/2012	Law et al. ....	715/773	D716,316 S *	10/2014	Behzadi et al. ....	D14/485
D665,161 S *	8/2012	Leifeld et al. ....	D3/203.2	D716,319 S *	10/2014	Fan et al. ....	D14/485
D665,163 S *	8/2012	Leifeld et al. ....	D3/203.2	D716,320 S *	10/2014	Fan et al. ....	D14/485
D667,018 S *	9/2012	Clanton et al. ....	D14/485	D716,325 S *	10/2014	Brudnicki .....	D14/486
D667,433 S *	9/2012	Phelan .....	D14/491	D716,829 S *	11/2014	Sik .....	D14/486
D672,784 S *	12/2012	Clanton et al. ....	D14/485	D717,823 S *	11/2014	Brotman et al. ....	D14/486
D682,305 S *	5/2013	Mierau et al. ....	D14/488	D718,321 S *	11/2014	Charles et al. ....	D14/486
D684,585 S *	6/2013	Plesnicher et al. ....	D14/486	D721,087 S *	1/2015	Barling .....	D14/485
D684,586 S *	6/2013	Plesnicher et al. ....	D14/486	D721,088 S *	1/2015	Barling et al. ....	D14/485
D684,587 S *	6/2013	Plesnicher et al. ....	D14/486	D722,079 S *	2/2015	Charles et al. ....	D14/488
D687,460 S *	8/2013	Tyler et al. ....	D14/489	D722,606 S *	2/2015	Stroupe et al. ....	D14/485
D690,718 S *	10/2013	Thomsen et al. ....	D14/485	D725,143 S *	3/2015	Terleski et al. ....	D14/489
D691,637 S *	10/2013	Deurwaarder .....	D14/511	D726,741 S *	4/2015	Lee et al. ....	D14/485
D692,017 S *	10/2013	Andersson et al. ....	D14/485	D727,336 S *	4/2015	Allison et al. ....	D14/485
D694,257 S *	11/2013	McKinley et al. ....	D14/486	D727,928 S *	4/2015	Allison et al. ....	D14/485
D697,071 S *	1/2014	Brinda .....	D14/485	D729,260 S *	5/2015	Ahn et al. ....	D14/485
D697,074 S *	1/2014	Waldman .....	D14/485	9,076,346 B2 *	7/2015	Quattrocchi	
D698,817 S *	2/2014	Laverack et al. ....	D14/489	2005/0010955 A1 *	1/2005	Elia et al. ....	725/88
D699,248 S *	2/2014	Pearson et al. ....	D14/485	2007/0271528 A1 *	11/2007	Park et al. ....	715/810
D699,251 S *	2/2014	Rao et al. ....	D14/486	2008/0126992 A1 *	5/2008	Scheu et al. ....	715/835
D699,737 S *	2/2014	Pearson et al. ....	D14/486	2009/0019397 A1 *	1/2009	Buffet et al. ....	715/837
D699,746 S *	2/2014	Pearson et al. ....	D14/488	2010/0037185 A1 *	2/2010	Li .....	715/863
D699,747 S *	2/2014	Pearson et al. ....	D14/488	2011/0249005 A1 *	10/2011	Hautvast .....	345/440
D699,750 S *	2/2014	Pearson et al. ....	D14/488	2012/0096383 A1 *	4/2012	Sakamoto et al. ....	715/772
D700,207 S *	2/2014	Pearson et al. ....	D14/488	2012/0124520 A1 *	5/2012	Samp et al. ....	715/834
				2013/0096819 A1 *	4/2013	Tarnok .....	701/428

\* cited by examiner

