



(12) **United States Design Patent**
Emami et al.

(10) **Patent No.:** **US D749,600 S**
(45) **Date of Patent:** **** Feb. 16, 2016**

- (54) **DATA ACCESSING DEVICE**
- (71) Applicant: **KINGSTON DIGITAL, INC.**, Fountain Valley, CA (US)
- (72) Inventors: **Arman Emami**, Fountain Valley, CA (US); **Feng-Sheng Lin**, Hsinchu (TW); **Peter Leekuo Chou**, Fountain Valley, CA (US); **Yu-kuo Huang**, Hsinchu (TW)
- (73) Assignee: **Kingston Digital, Inc.**, Fountain Valley, CA (US)
- (**) Term: **14 Years**
- (21) Appl. No.: **29/503,576**
- (22) Filed: **Sep. 26, 2014**
- (51) **LOC (10) Cl.** **14-99**
- (52) **U.S. Cl.**
USPC **D14/480.6**
- (58) **Field of Classification Search**
USPC D14/356, 358, 432, 137, 138, 140, 188, D14/217, 240, 242, 299, 191, 411, 433, D14/435.1, 436, 480.1-480.7, 484.1, 155, D14/203.1-203.8; D13/110, 184, 133, 154, D13/162, 103, 199; D10/65, 75, 78; D9/432; D3/273; 341/22
CPC H01R 35/02; H01R 1/04; A63H 5/00; A63H 13/02; A63H 29/22; A63H 33/00; B25J 5/00; B25J 19/00; G05B 15/00; G05B 15/02; G06F 1/1626; G09B 5/06; G09B 19/00; G01S 15/93; H04L 67/306
See application file for complete search history.

(56) **References Cited**

U.S. PATENT DOCUMENTS

- D479,712 S * 9/2003 Ng D14/203.3
- D534,448 S * 1/2007 Shaffer, II D10/104.1
- D548,233 S * 8/2007 Loftus D14/480.5

- D580,434 S * 11/2008 Kim D14/385
- D620,016 S * 7/2010 Lo D14/480.6
- D622,278 S * 8/2010 Ma D14/480.6
- D638,430 S * 5/2011 Lee D13/133
- D685,808 S * 7/2013 Billington D14/480.6
- D705,235 S * 5/2014 Slemp D14/480.6
- D712,414 S * 9/2014 Tsai D14/480.6
- 2007/0054522 A1 * 3/2007 Choi H04M 1/0225
439/144
- 2008/0278902 A1 * 11/2008 Nguyen G06K 19/07732
361/679.43

(Continued)

Primary Examiner — Karen E Kearney

Assistant Examiner — Nathaniel D Buckner

(74) *Attorney, Agent, or Firm* — Skaar Ulbrich Macari, P.A.

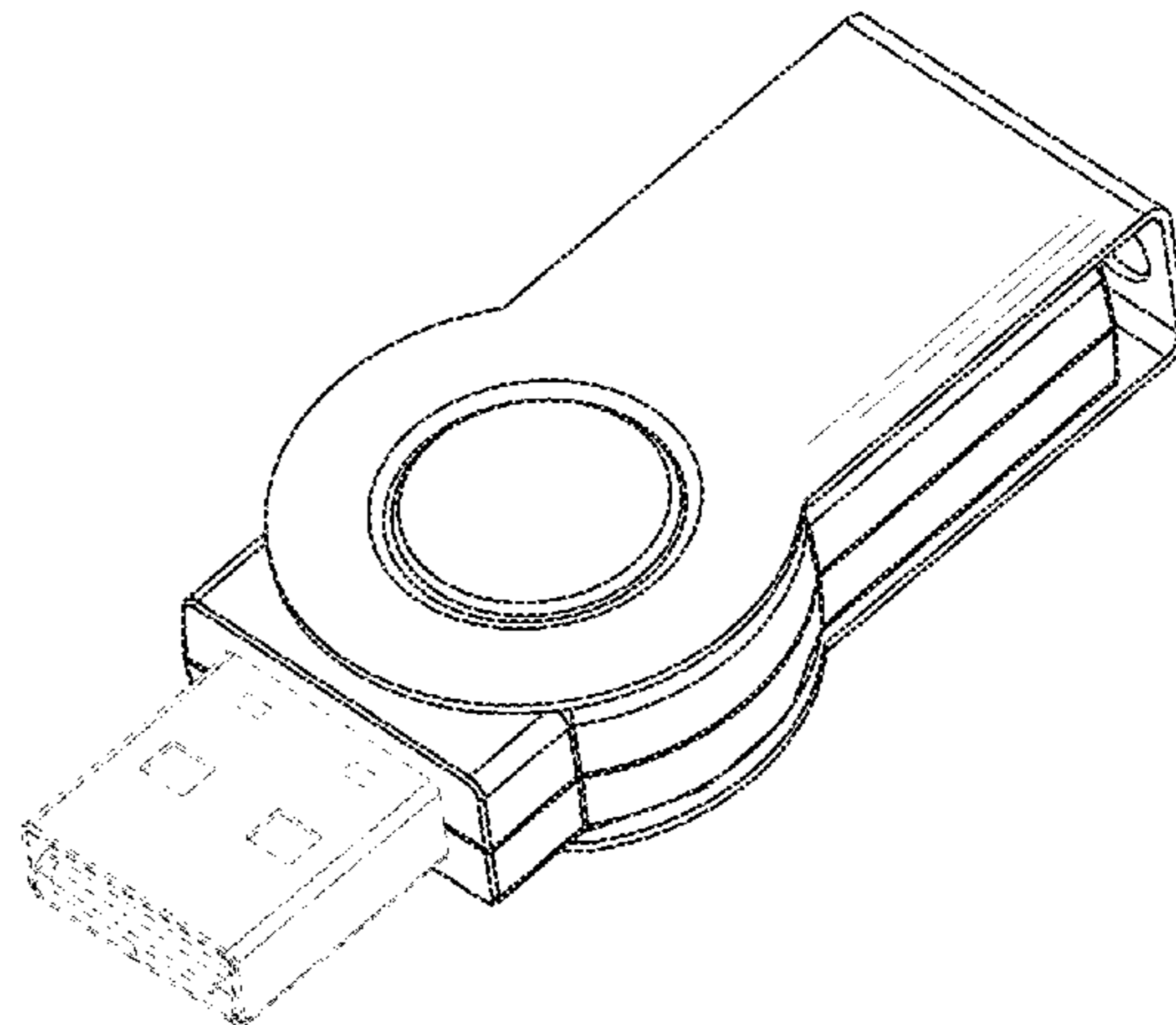
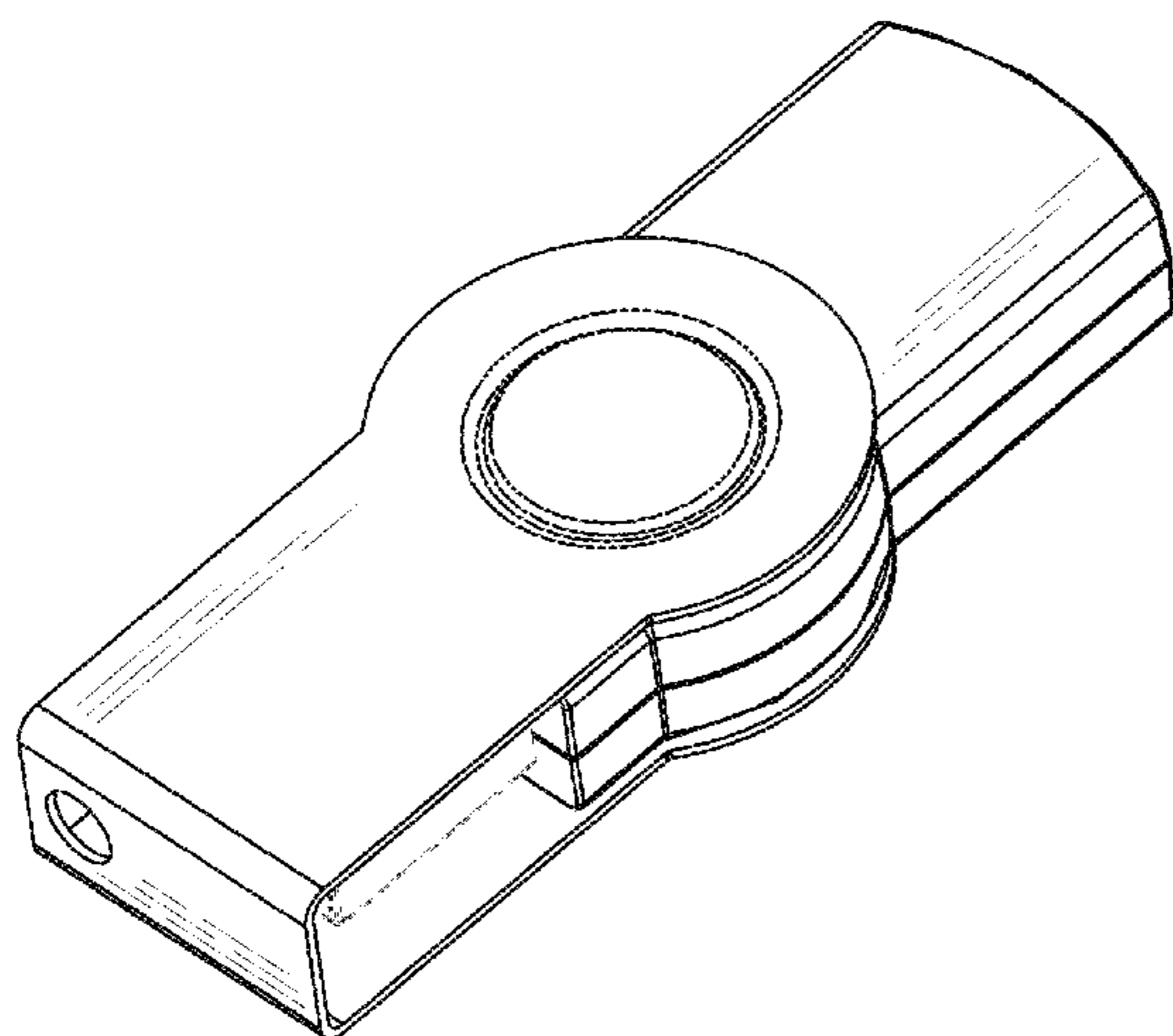
(57) **CLAIM**

We claim the ornamental design for a data accessing device, as shown and described.

DESCRIPTION

FIG. 1 is a perspective view of a data accessing device showing the claimed design;
 FIG. 2 is a front elevational view of FIG. 1;
 FIG. 3 is a rear elevational view of FIG. 1;
 FIG. 4 is a left side elevational view of FIG. 1;
 FIG. 5 is a right side elevational view of FIG. 1;
 FIG. 6 is a top plan view of FIG. 1;
 FIG. 7 is a bottom plan view of FIG. 1;
 FIG. 8 is a perspective view showing the data accessing device in a usage state;
 FIG. 9 is a front elevational view of FIG. 8;
 FIG. 10 is a rear elevational view of FIG. 8;
 FIG. 11 is a left side elevational view of FIG. 8;
 FIG. 12 is a right side elevational view of FIG. 8;
 FIG. 13 is a top plan view of FIG. 8; and,
 FIG. 14 is a bottom plan view of FIG. 8.
 The broken lines in the figures represent portions of the article which form no part of the claim.

1 Claim, 8 Drawing Sheets



US D749,600 S

Page 2

(56)

References Cited

U.S. PATENT DOCUMENTS

2010/0075517 A1*	3/2010	Ni	G06K 19/07732 439/131
2011/0237099 A1*	9/2011	Ni	G06K 19/07732 439/142
2009/0108056 A1*	4/2009	Faust	G06K 19/07703 235/375

* cited by examiner

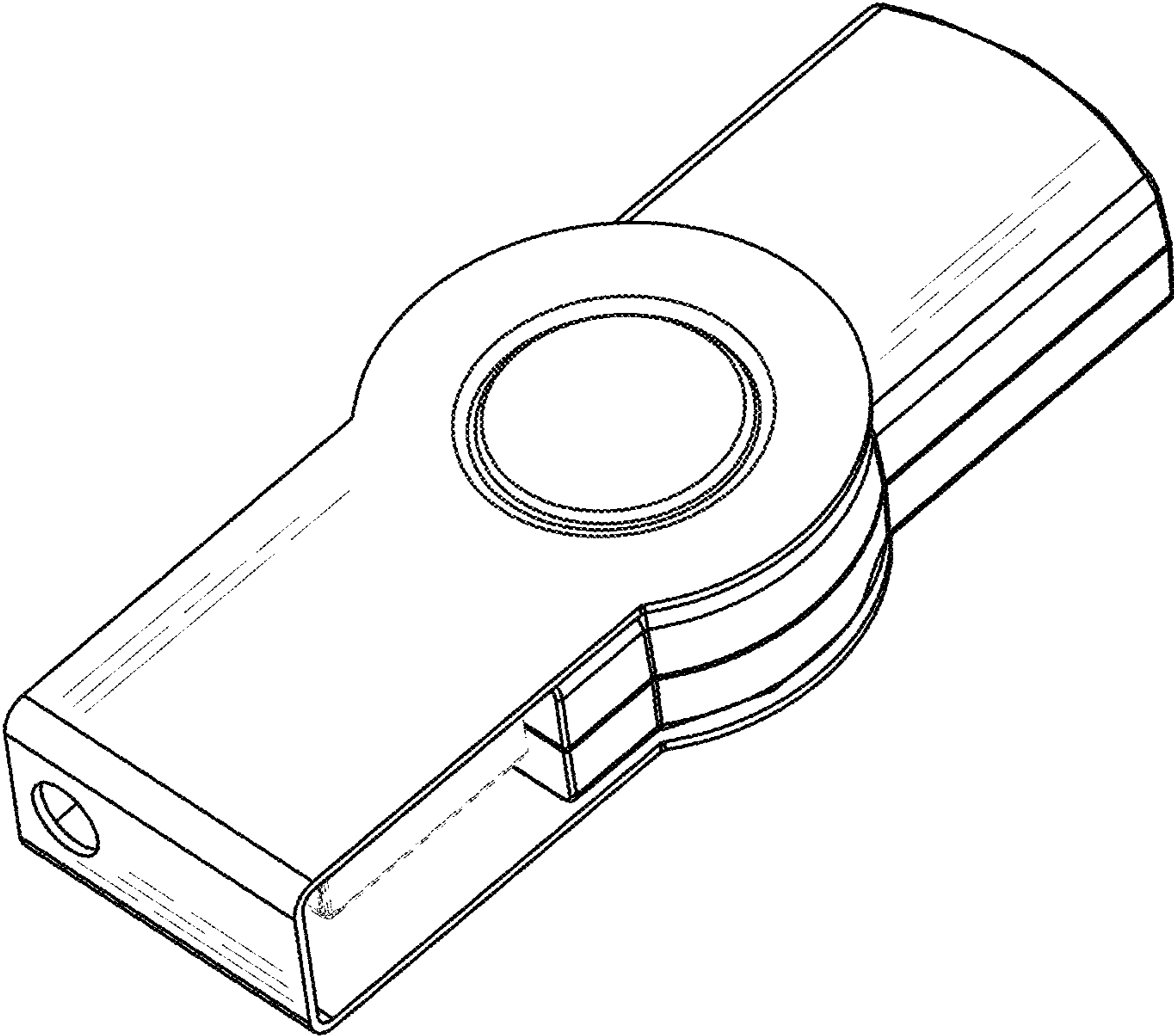


FIG. 1

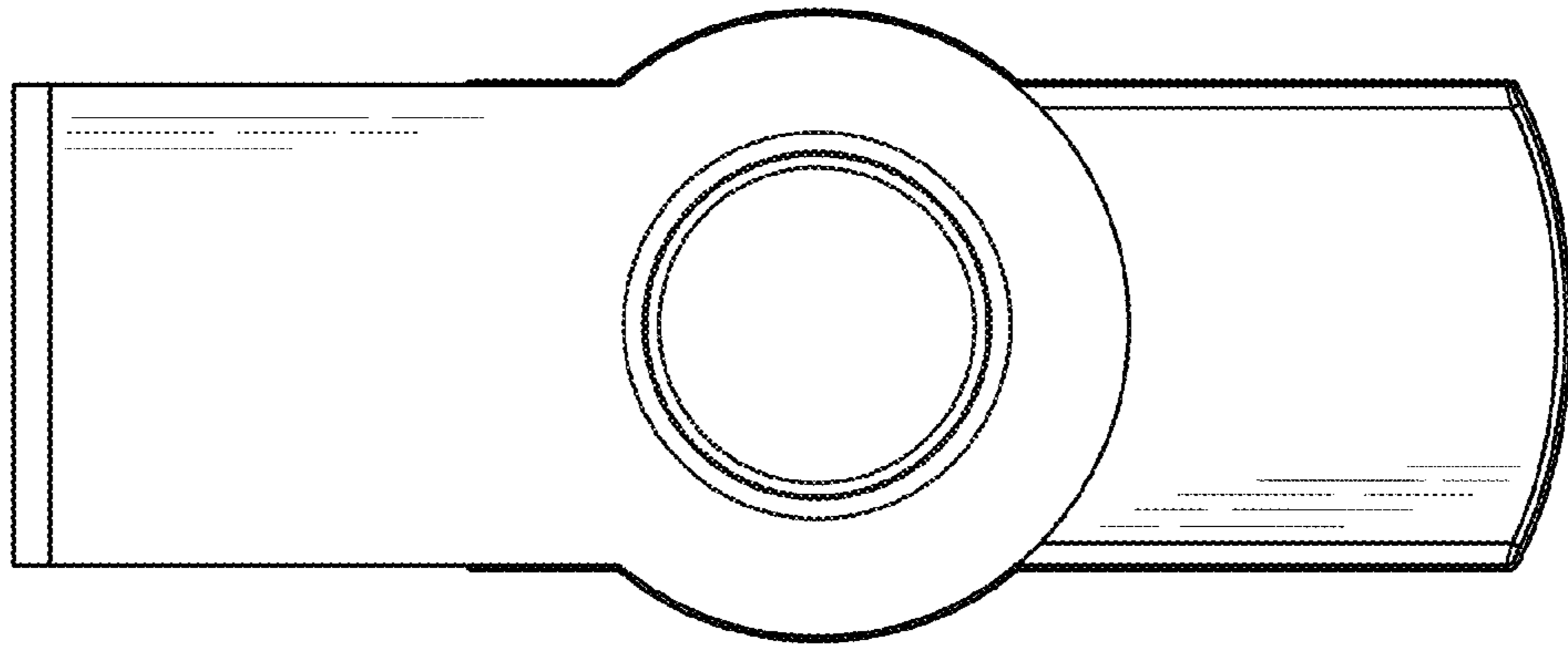


FIG. 2

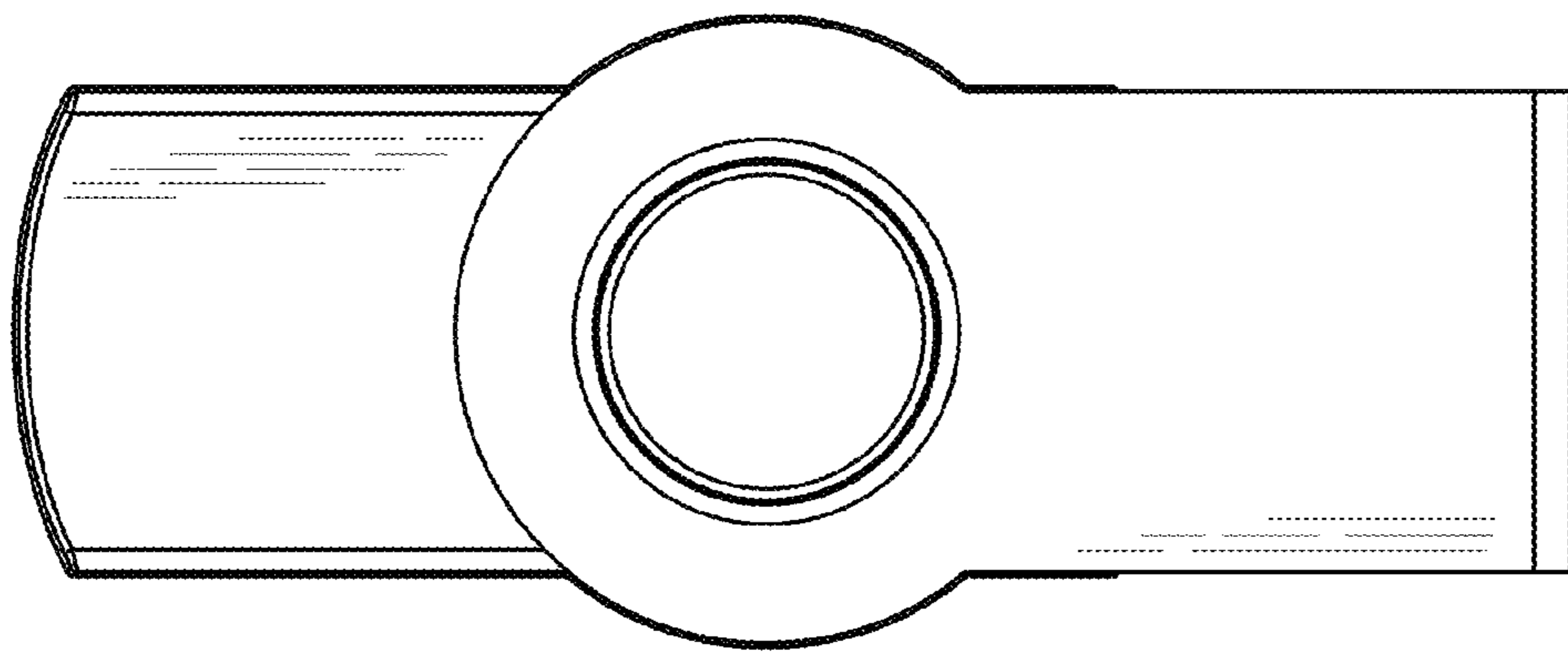


FIG. 3

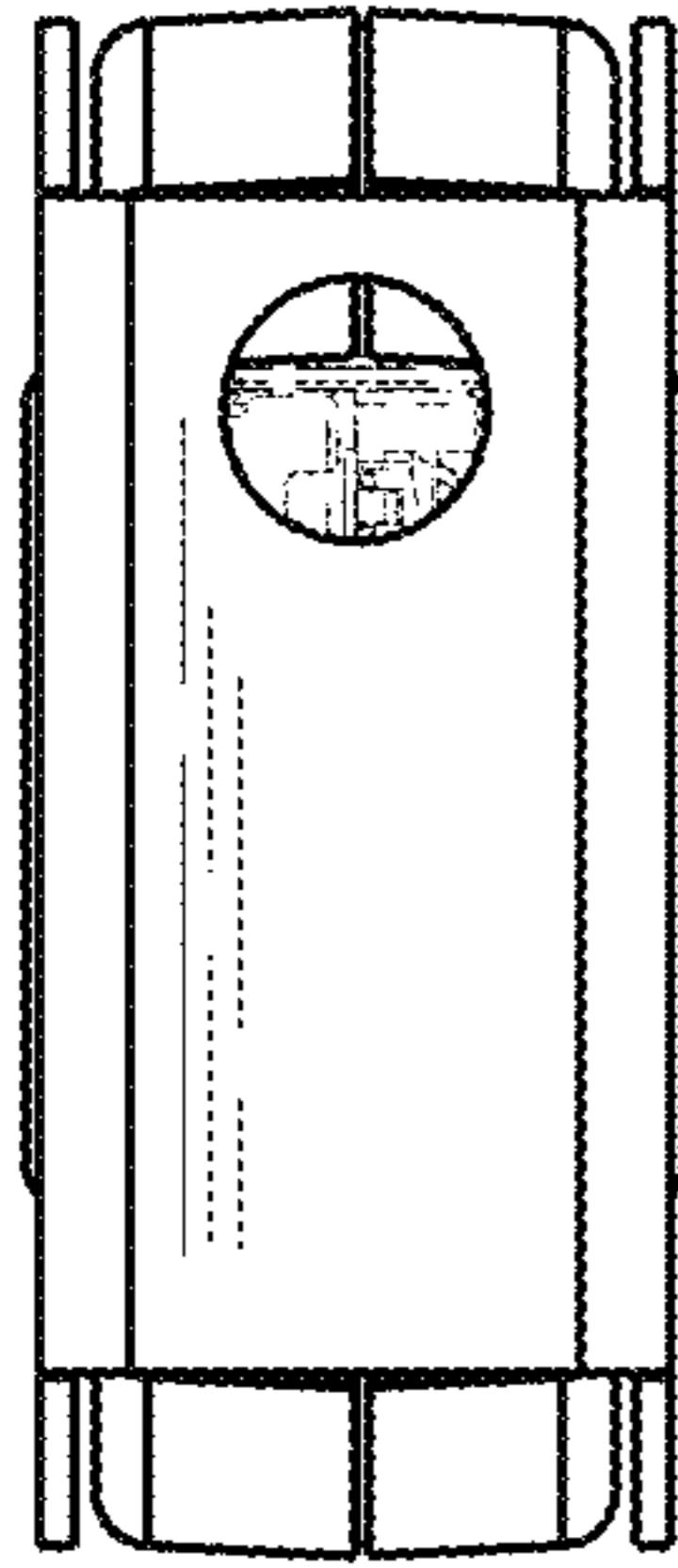


FIG. 4

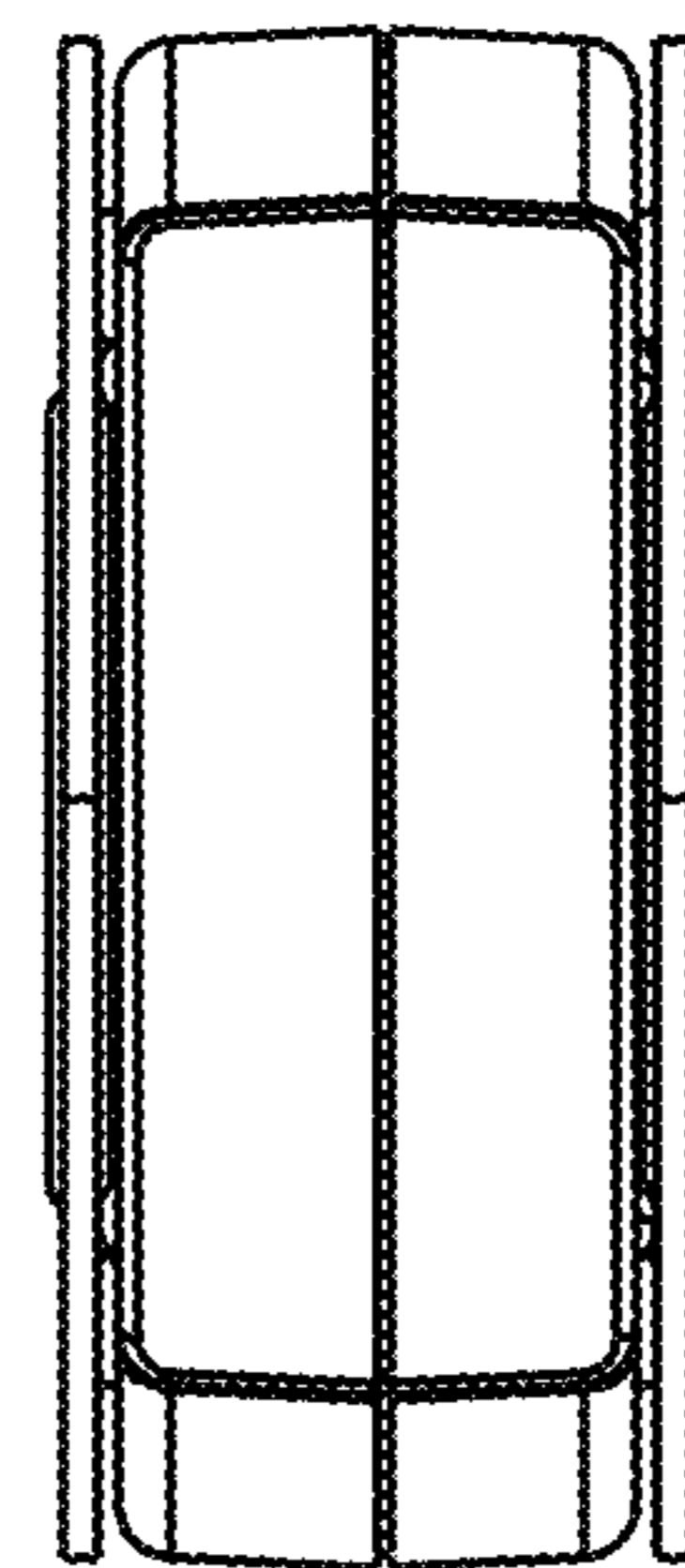


FIG. 5

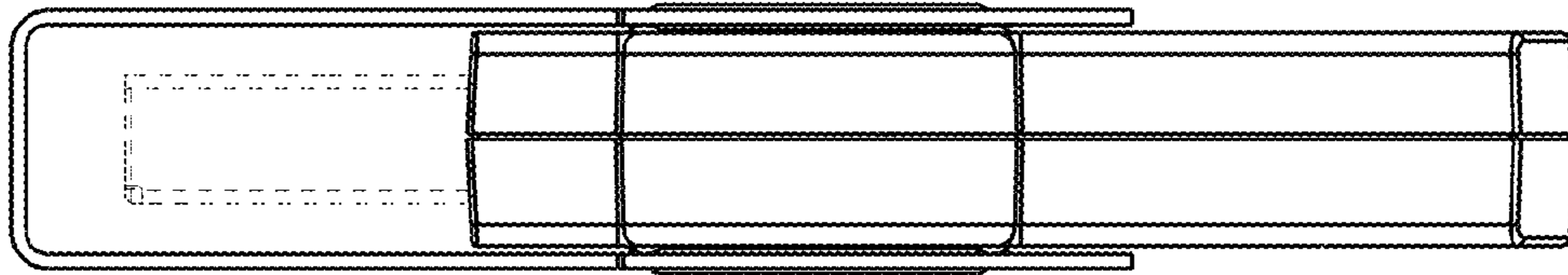


FIG. 6

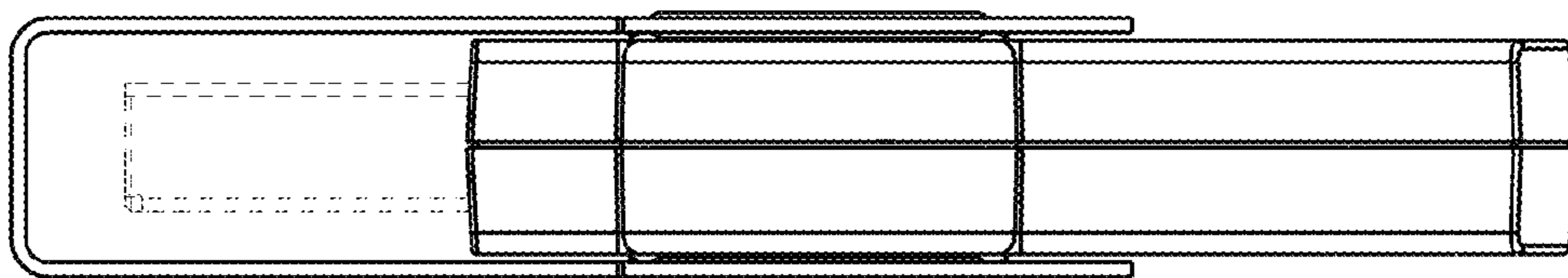


FIG. 7

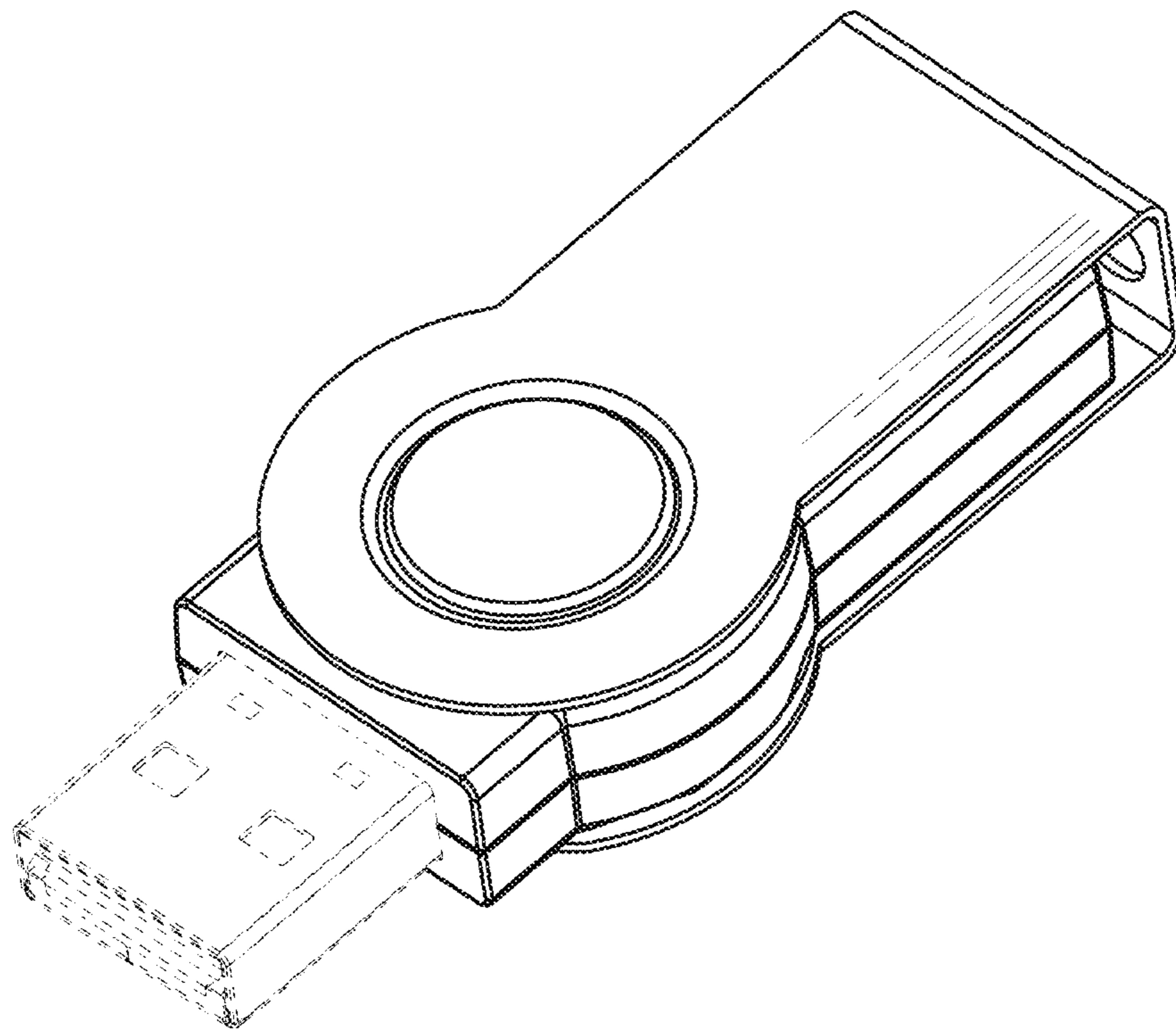


FIG. 8

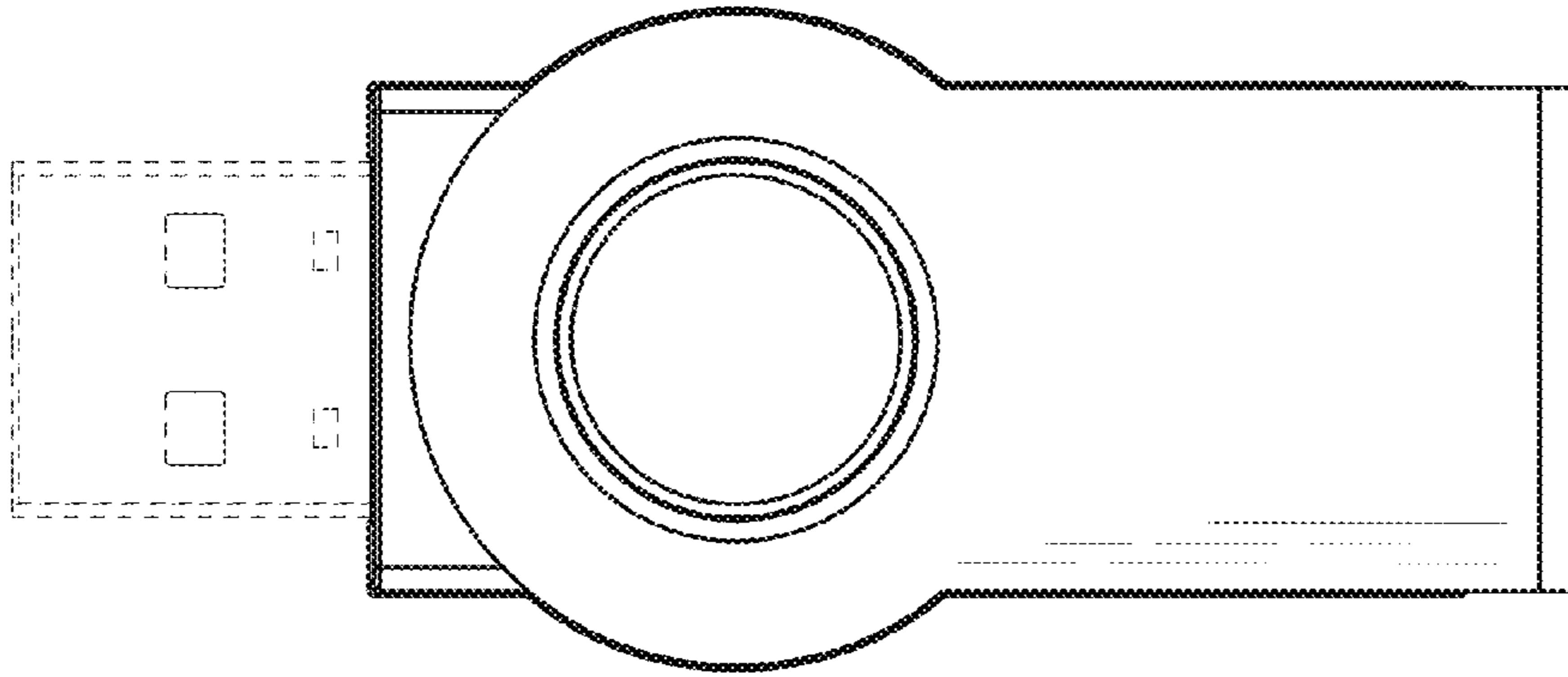


FIG. 9

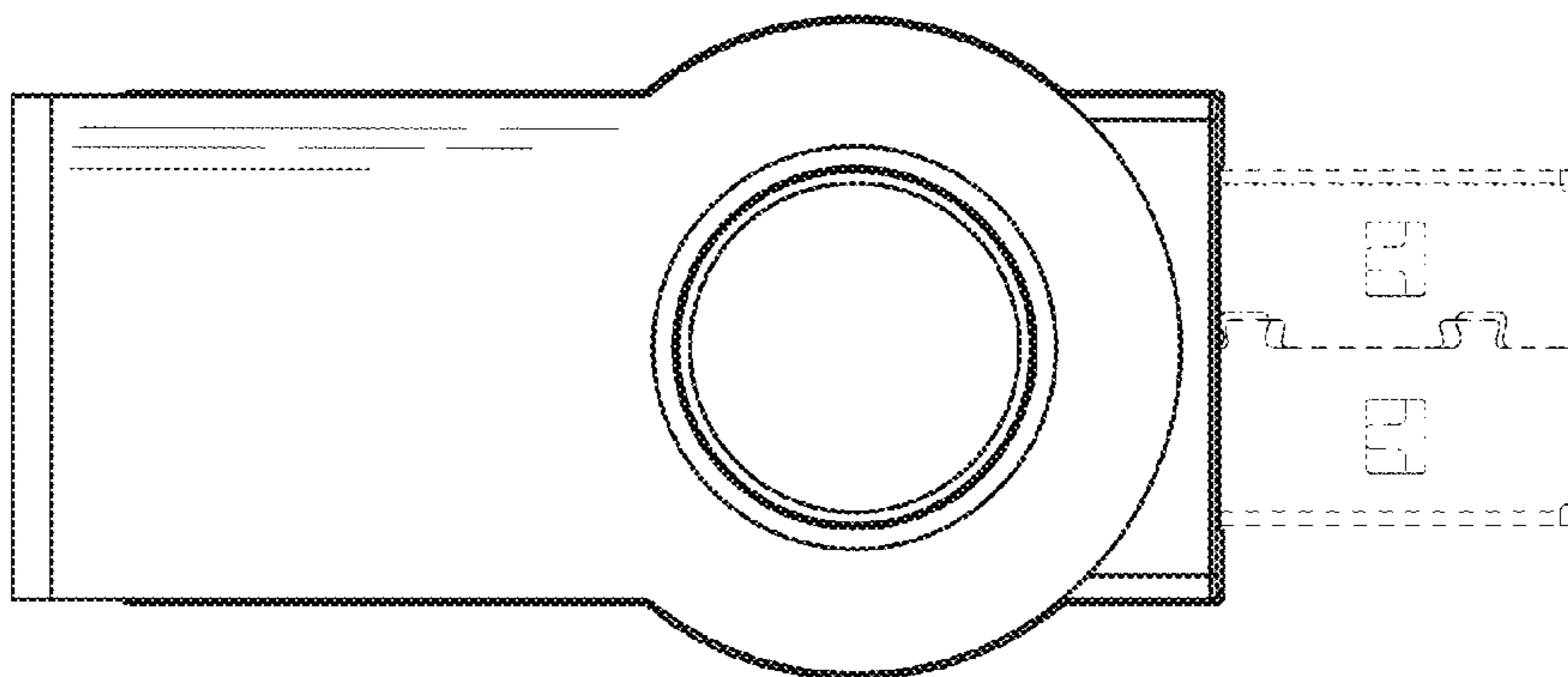


FIG. 10

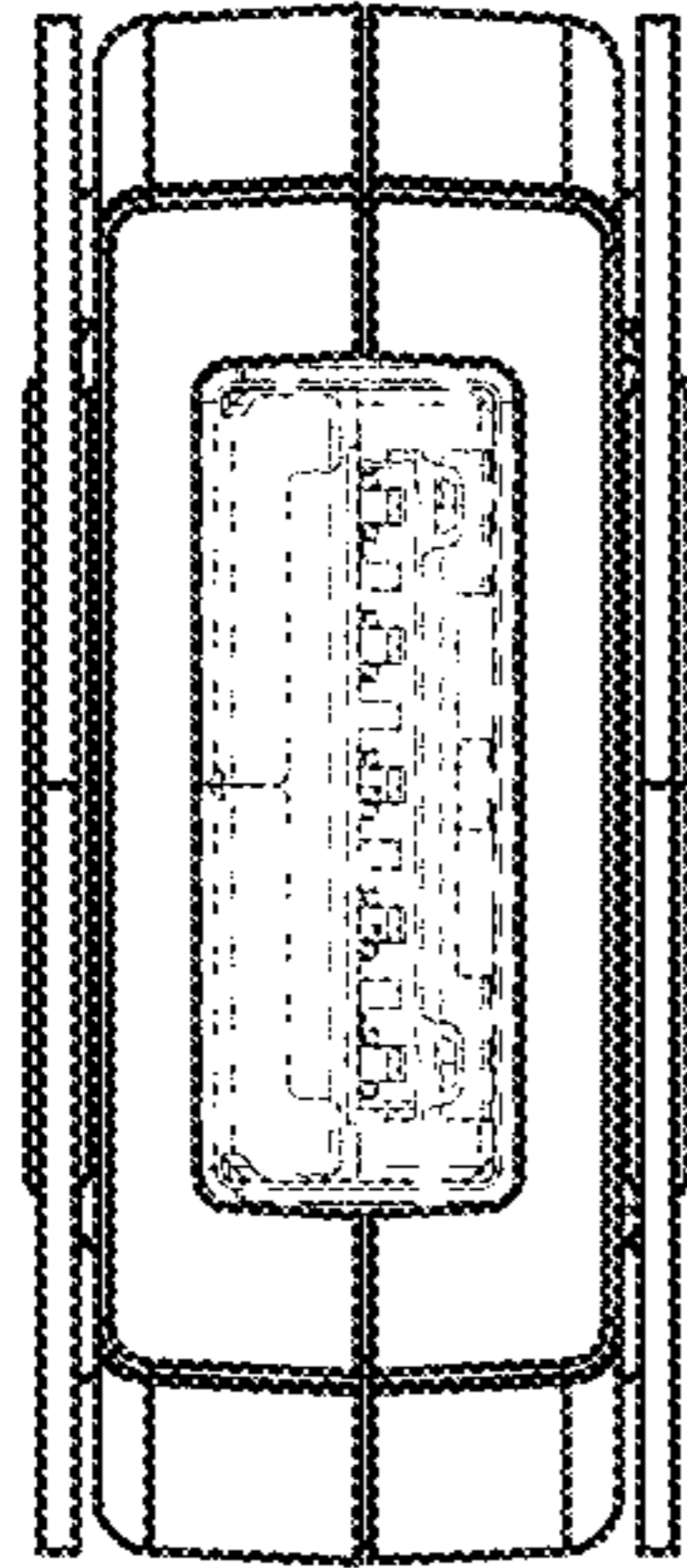


FIG. 11

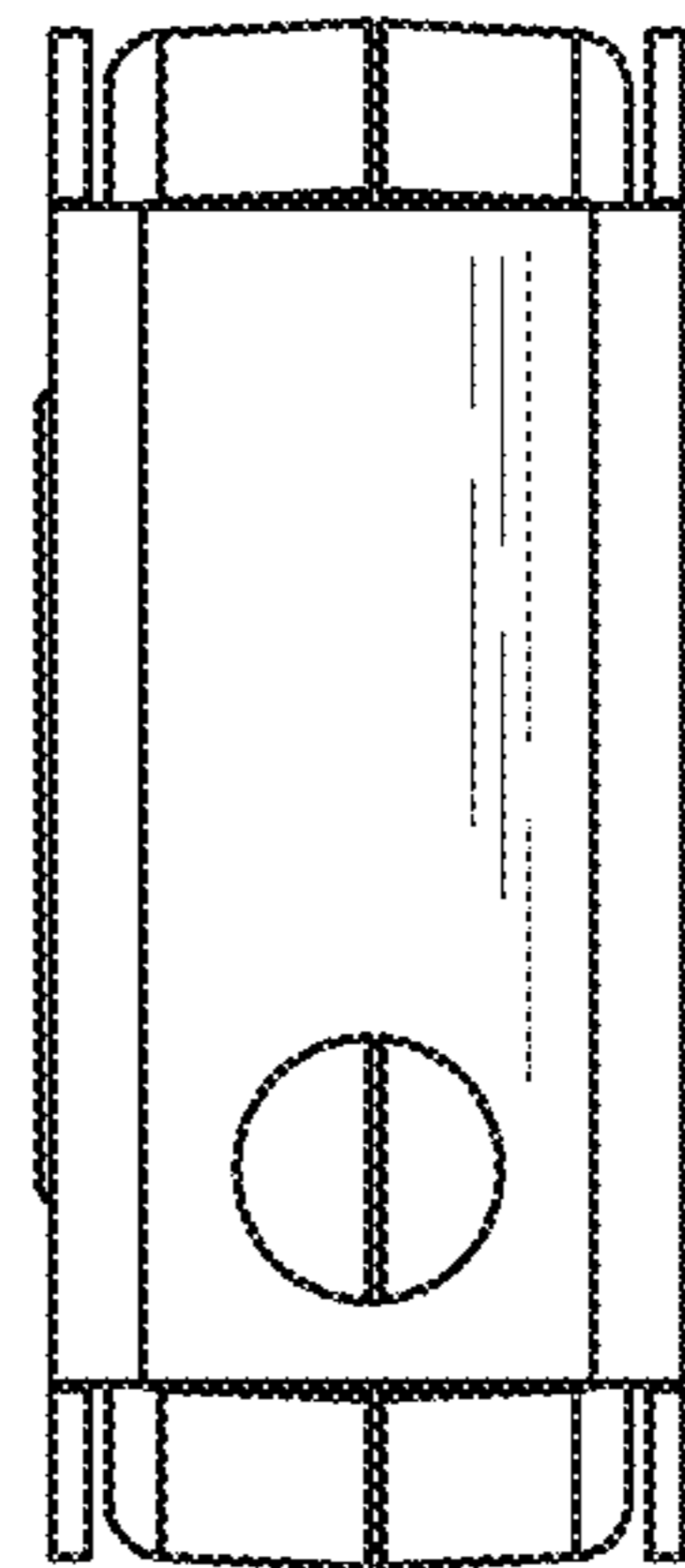


FIG. 12



FIG. 13



FIG. 14