



US00D749599S

(12) **United States Design Patent**  
**Anderson et al.**

(10) **Patent No.:** **US D749,599 S**

(45) **Date of Patent:** **\*\* Feb. 16, 2016**

- (54) **J-SHAPED FLASH DRIVE**
- (71) Applicant: **LEEF TECHNOLOGY LIMITED**,  
Alamo, CA (US)
- (72) Inventors: **Jon Lee Anderson**, Salt Lake City, UT  
(US); **Axle Dean Looslie**, Salt Lake City,  
UT (US); **Mark Edwin Schulte**, Orem,  
UT (US); **Troy Austin Leininger**, Provo,  
UT (US)
- (73) Assignee: **LEEF TECHNOLOGY LIMITED**,  
Alamo, CA (US)
- (\*\*) Term: **14 Years**
- (21) Appl. No.: **29/499,697**
- (22) Filed: **Aug. 18, 2014**
- (51) **LOC (10) Cl.** ..... **14-99**
- (52) **U.S. Cl.**  
USPC ..... **D14/480.1**
- (58) **Field of Classification Search**  
USPC ..... D14/300-302, 314, 348-370, 383-385,  
D14/435, 435.1, 480.1, 480.5, 96, 125, 135,  
D14/155, 240-242, 299; D13/103, 119,  
D13/162, 184, 199; D10/65, 75, 78;  
D9/432; D3/273  
CPC .. G11B 33/027; G11B 33/122; G11B 33/124;  
G11B 33/022; G11B 33/025  
See application file for complete search history.

- 8,456,826 B2 \* 6/2013 Mao ..... H05K 5/0278  
361/679.31
- D685,807 S \* 7/2013 Billington ..... D14/480.5
- D697,501 S \* 1/2014 Fargeau ..... D14/240
- D709,513 S \* 7/2014 Huang ..... D14/480.3
- D712,414 S \* 9/2014 Tsai ..... D14/480.6
- D724,029 S \* 3/2015 Huang et al. .... D13/133
- D725,068 S \* 3/2015 Cho et al. .... D14/138 R

\* cited by examiner

*Primary Examiner* — Karen E Kearney

*Assistant Examiner* — Nathaniel D Buckner

(74) *Attorney, Agent, or Firm* — Perkins Coie LLP

(57) **CLAIM**

The ornamental design for a J-shaped flash drive, as shown and described.

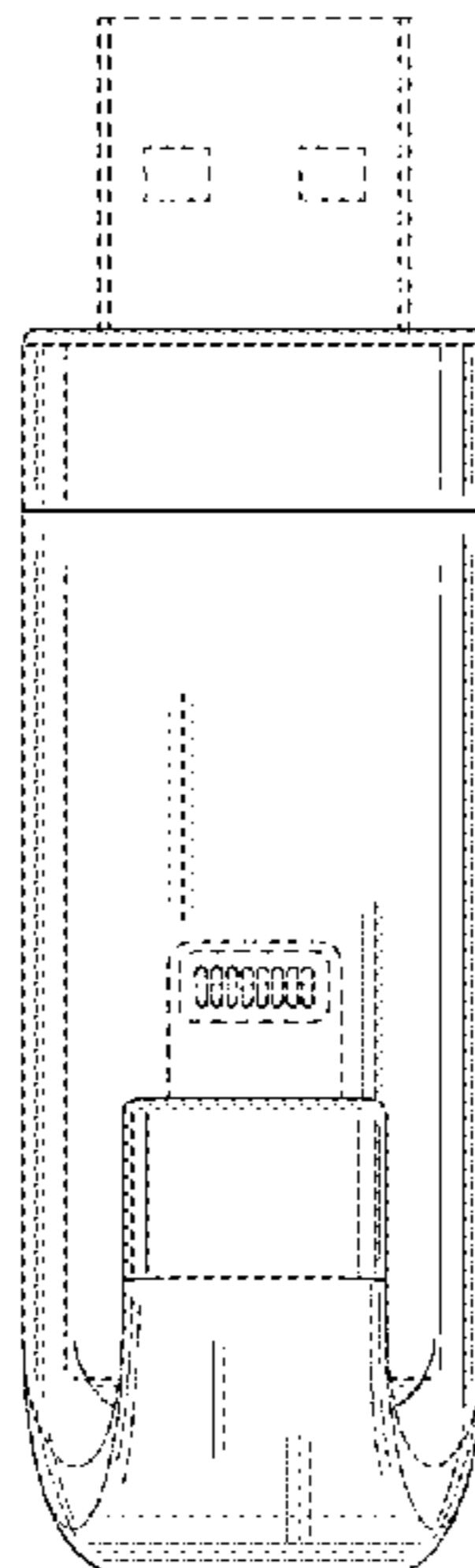
**DESCRIPTION**

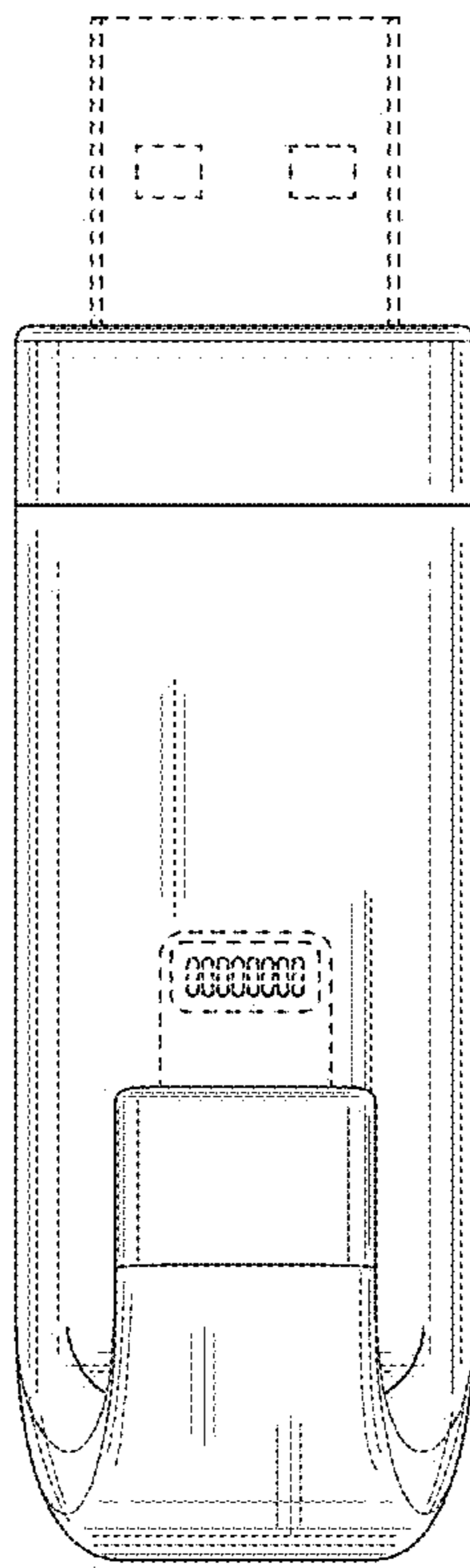
FIG. 1 is a front view of a J-shaped flash drive showing our new design;  
 FIG. 2 is a rear view thereof;  
 FIG. 3 is a right side view thereof, the left side being a mirror image thereto;  
 FIG. 4 is a bottom view thereof;  
 FIG. 5 is a top view thereof;  
 FIG. 6 is a rear top left perspective view thereof;  
 FIG. 7 is a rear bottom left perspective view thereof;  
 FIG. 8 is a front bottom left perspective view thereof;  
 FIG. 9 is a front top left perspective view thereof;  
 FIG. 10 is a right side view thereof, shown in an environment of use; and,  
 FIG. 11 is a front side view thereof shown in a second environment of use.  
 The broken lines showing the connectors in FIGS. 1-11 represent portions of the article which form no part of the claimed design. The broken lines showing the smart phone in FIG. 10 and the laptop in FIG. 11 are included for the purpose of illustrating environmental structure and form no part of the claimed design.

**1 Claim, 10 Drawing Sheets**

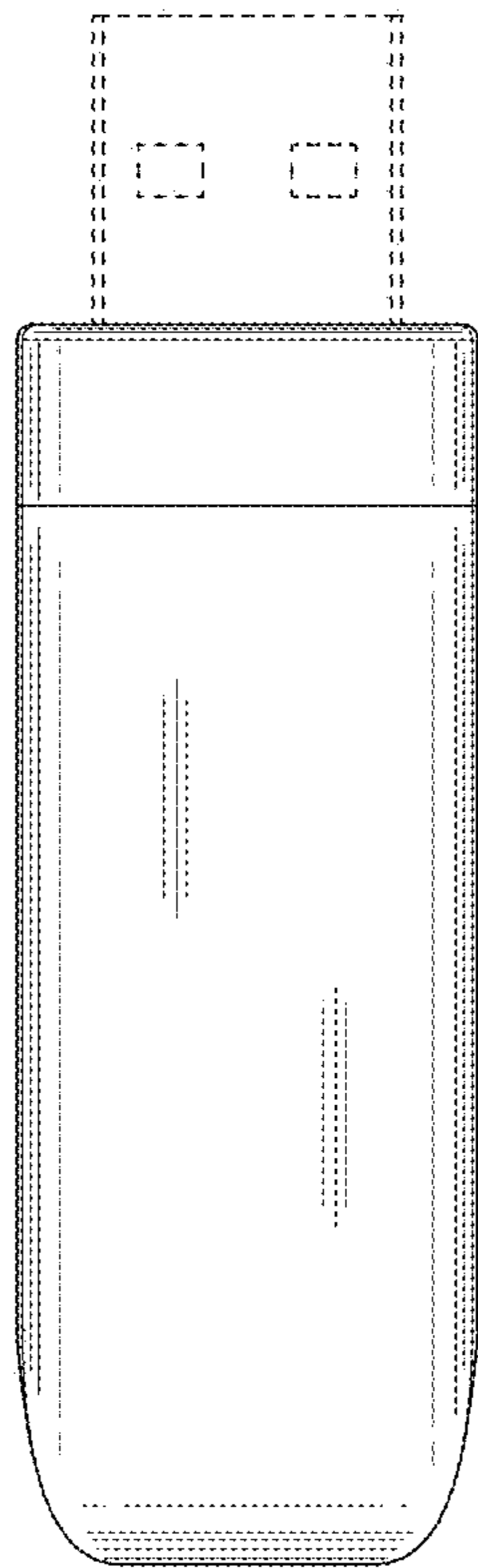
(56) **References Cited**  
U.S. PATENT DOCUMENTS

- D462,689 S \* 9/2002 Moran ..... D14/480.5
- D513,005 S \* 12/2005 Kobayakawa ..... D14/480.1
- D532,001 S \* 11/2006 Burke ..... D14/240
- D556,196 S \* 11/2007 Cheng ..... D14/480.3
- D559,904 S \* 1/2008 Schwab ..... D14/436
- D631,058 S \* 1/2011 Chin ..... D14/480.7
- D673,953 S \* 1/2013 Li ..... D11/27
- D674,784 S \* 1/2013 Choi ..... D14/240

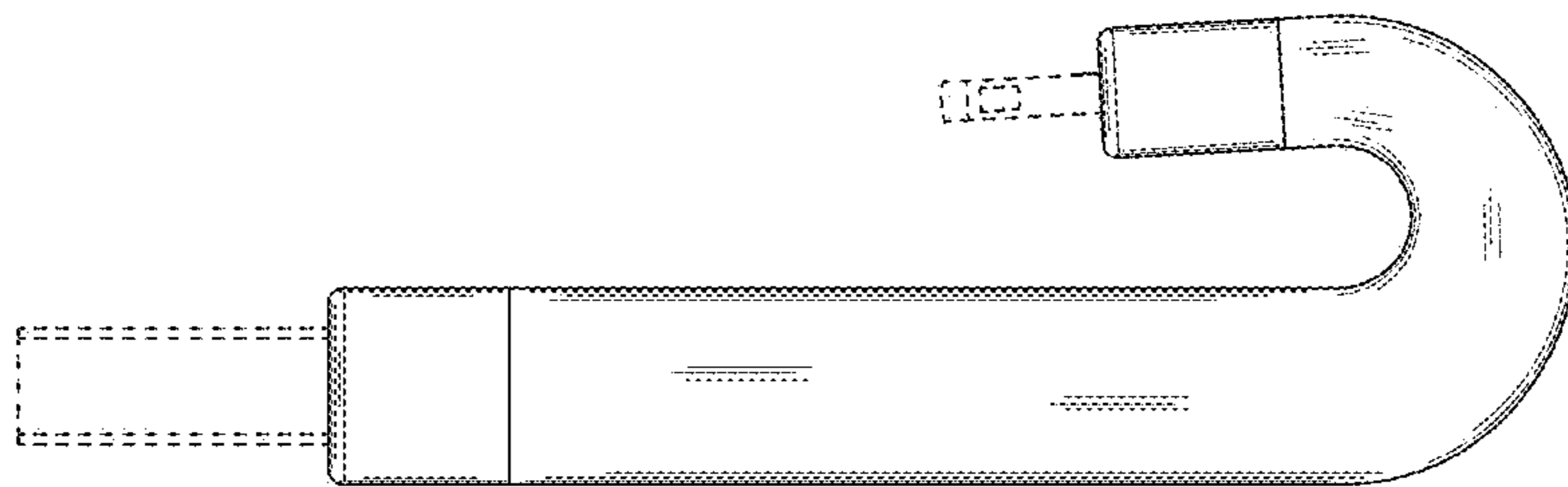




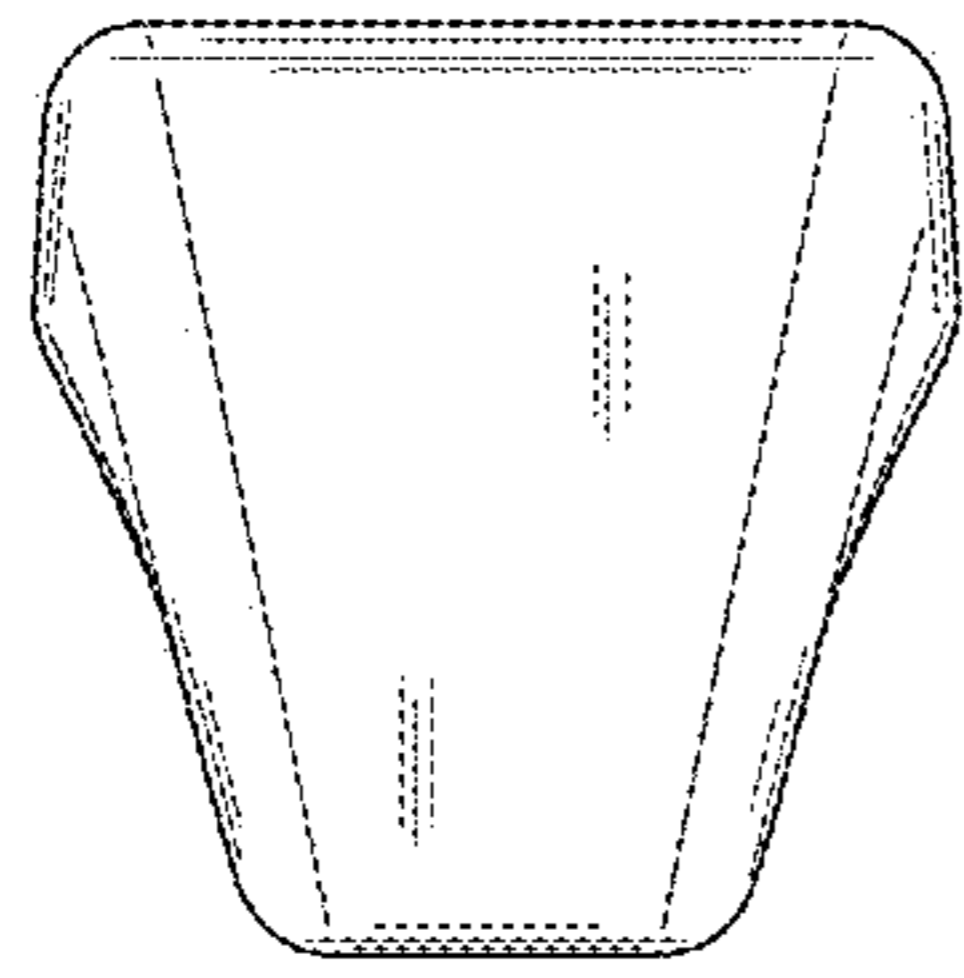
**Fig. 1**



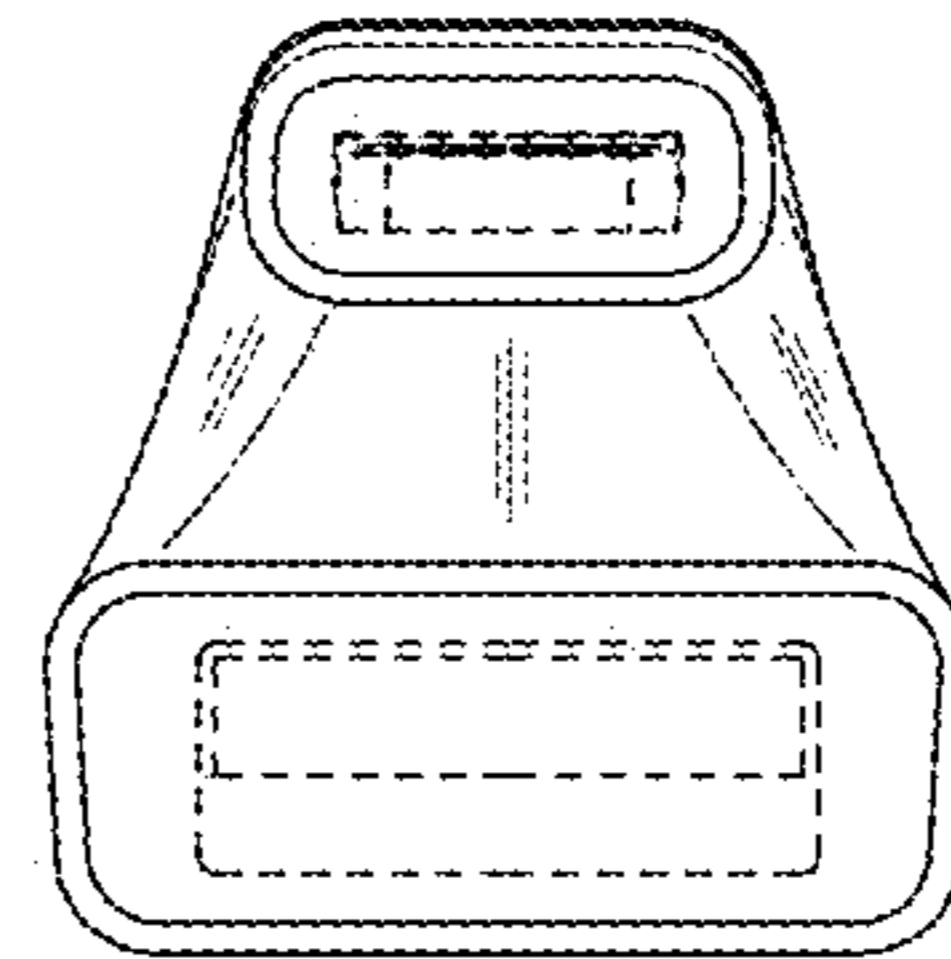
**Fig. 2**



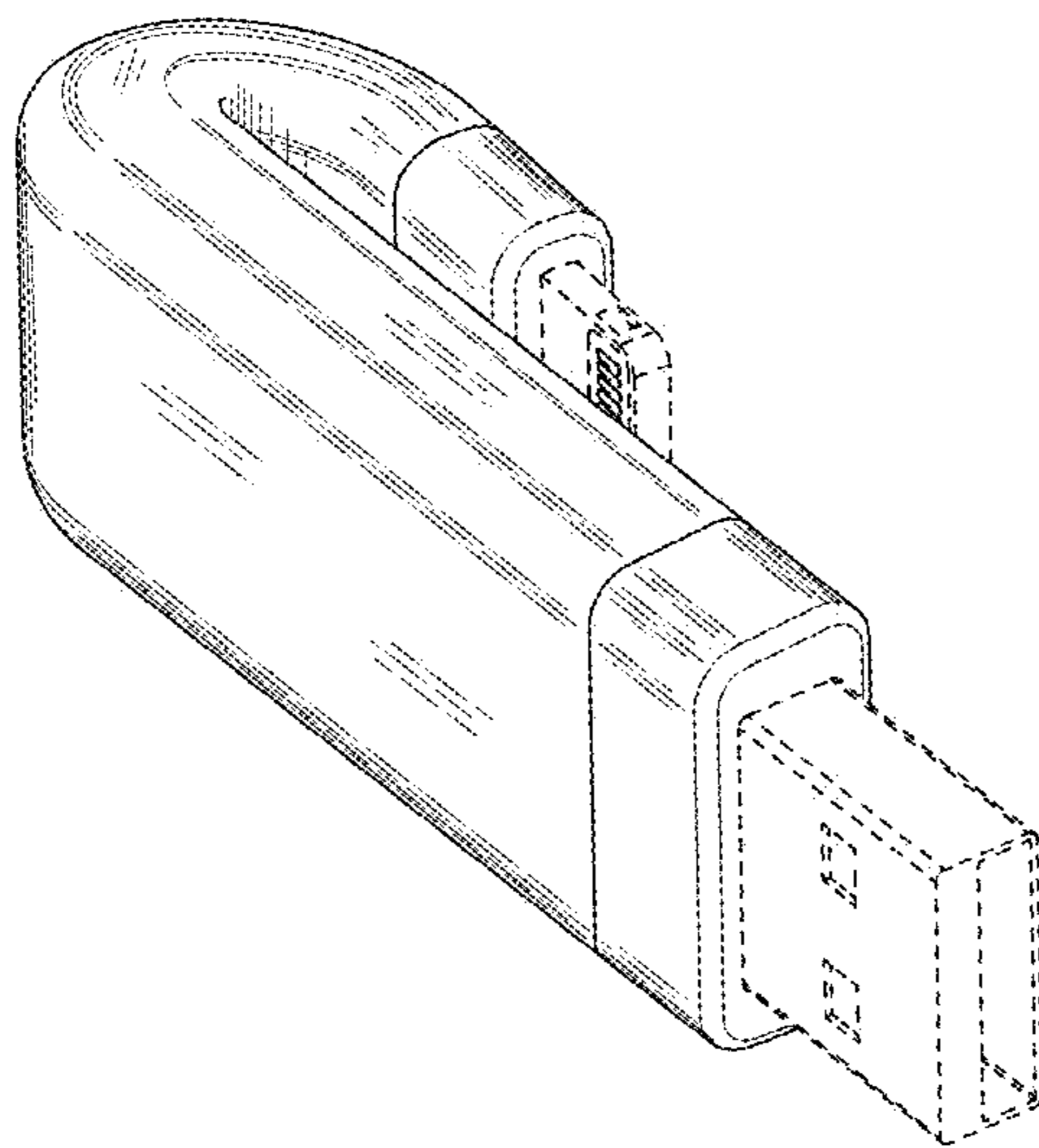
**Fig. 3**



**Fig. 4**



**Fig. 5**



**Fig. 6**

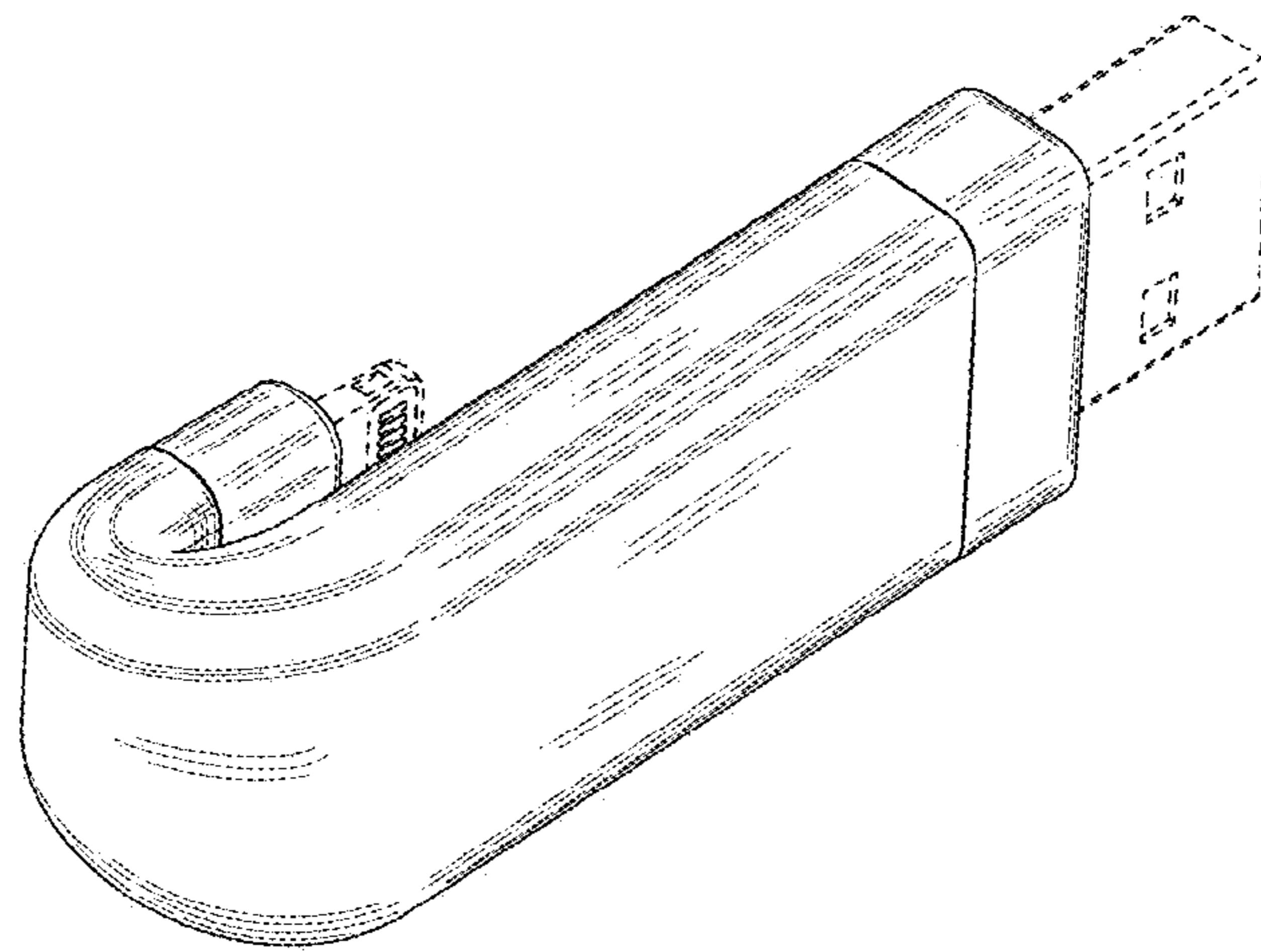
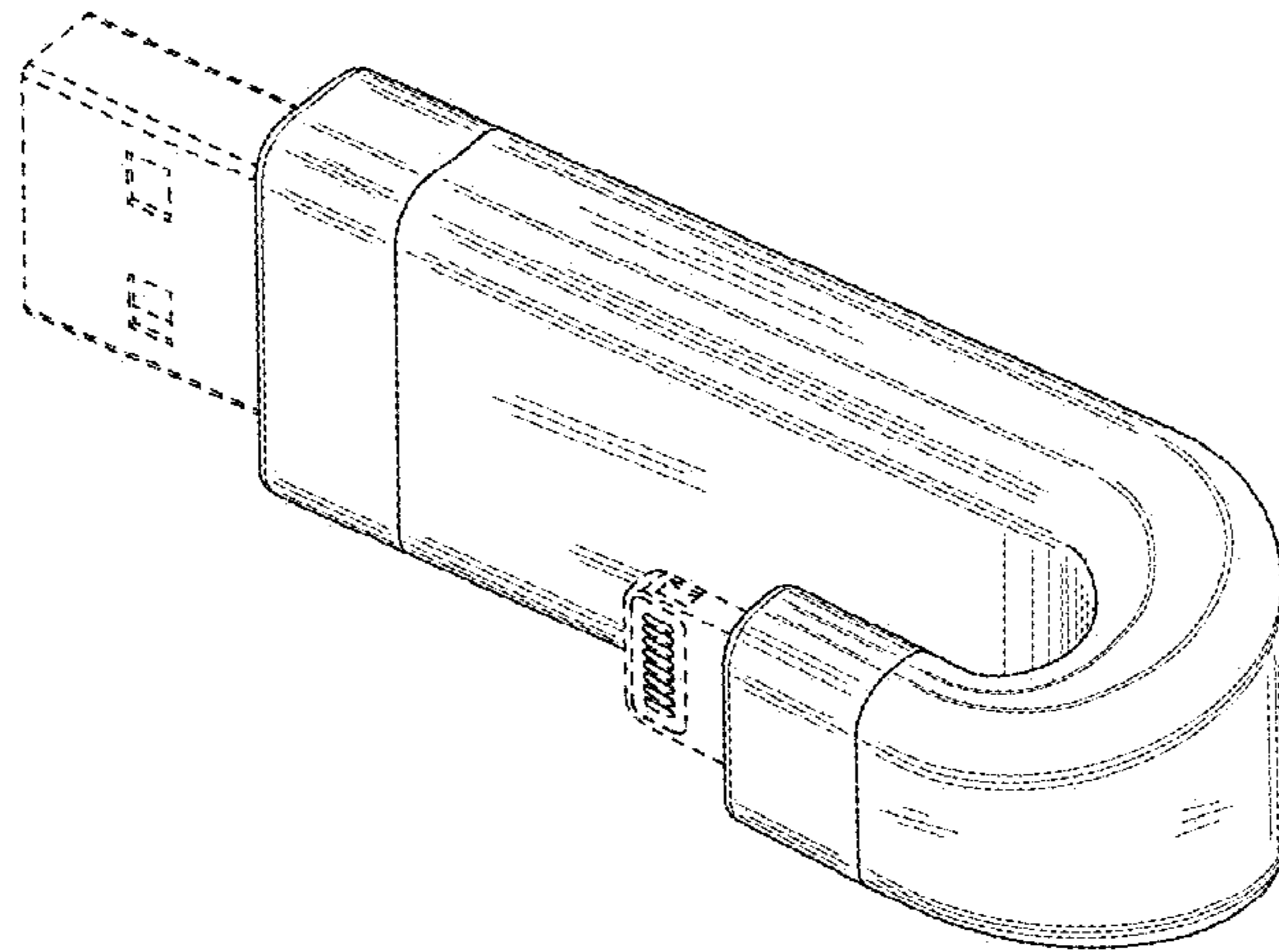
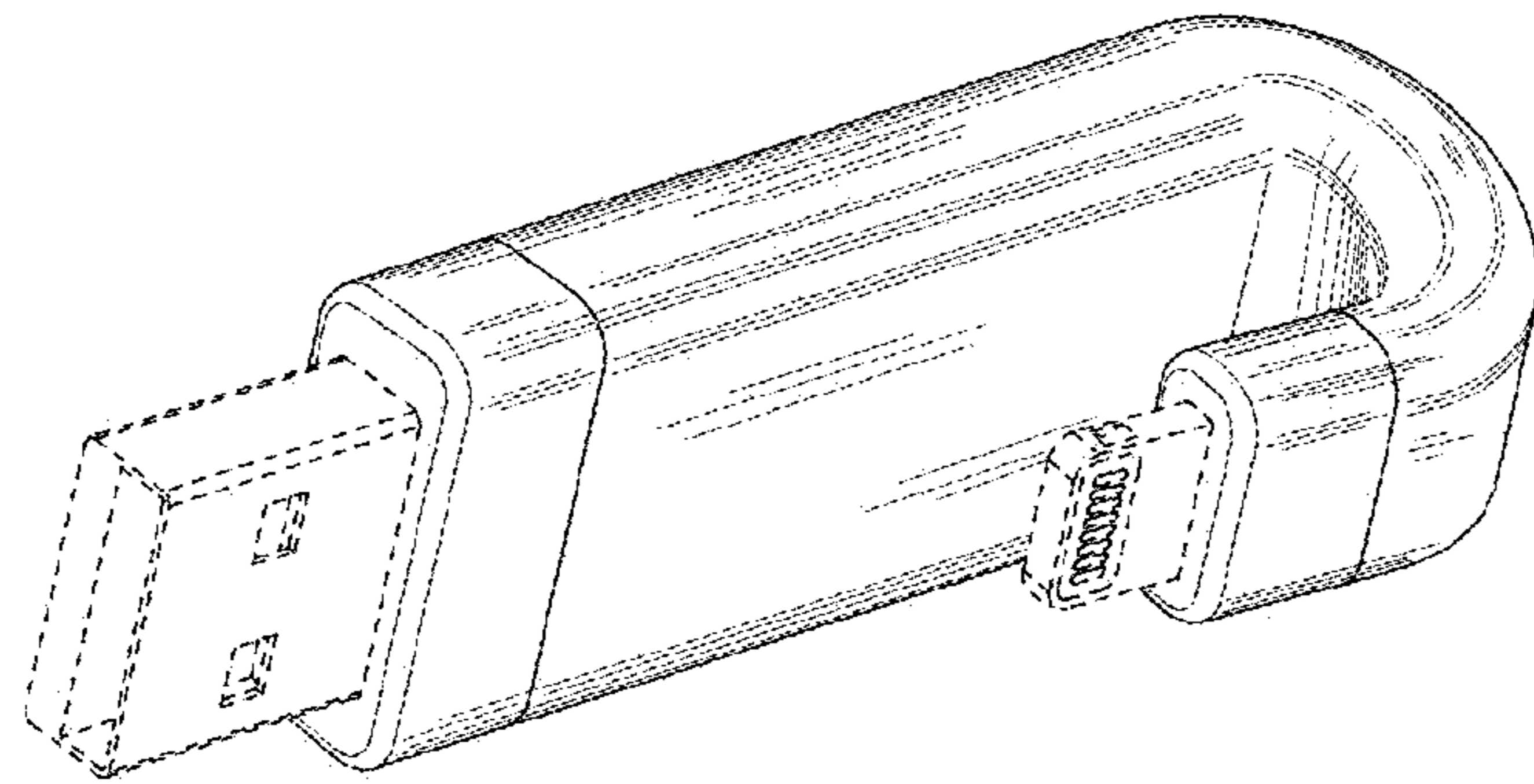


Fig. 7



**Fig. 8**





**Fig. 9**

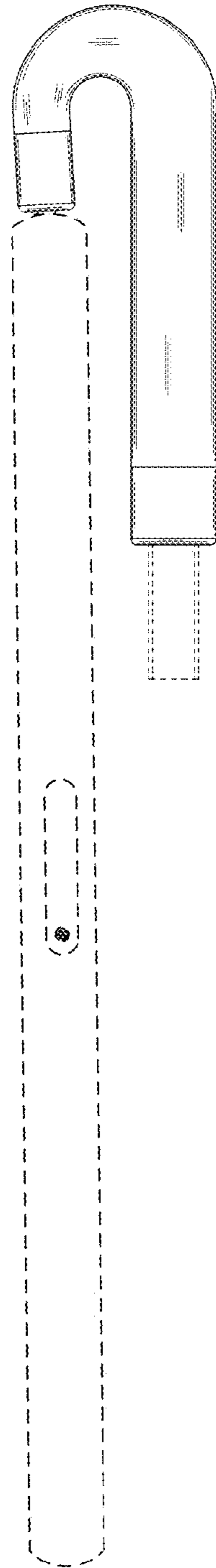
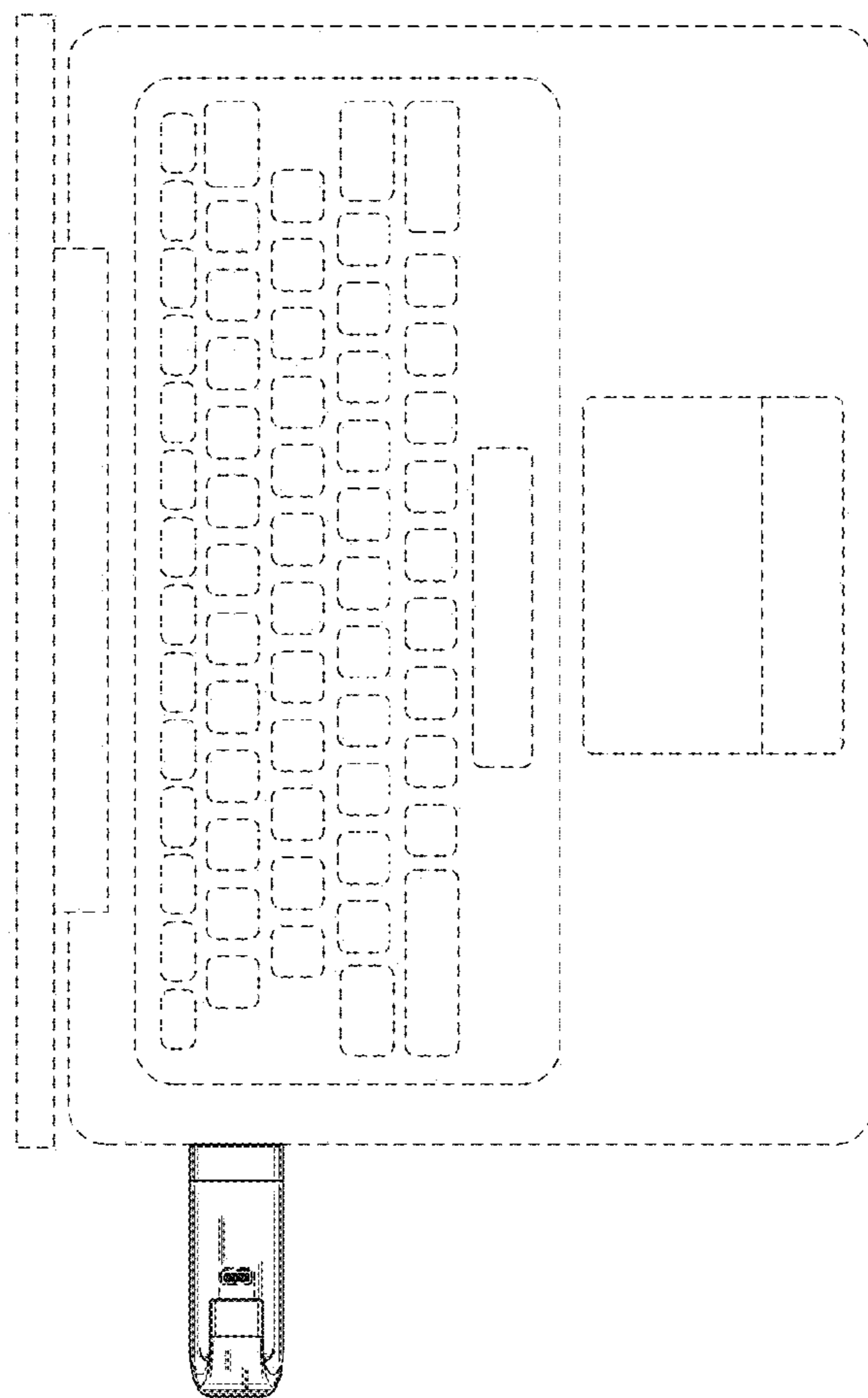


Fig. 10



**Fig. 11**