



US00D749598S

(12) **United States Design Patent**
Ray et al.

(10) **Patent No.:** **US D749,598 S**

(45) **Date of Patent:** **** Feb. 16, 2016**

(54) **MONITOR-MOUNTABLE COMPUTING DEVICE**

(71) Applicants: **Kevin Ray**, Oakland, CA (US); **Maxwell Ray**, Oakland, CA (US)

(72) Inventors: **Kevin Ray**, Oakland, CA (US); **Maxwell Ray**, Oakland, CA (US)

(73) Assignee: **Kevin & Maxwell Ray**, Oakland, CA (US)

(**) Term: **14 Years**

(21) Appl. No.: **29/481,149**

(22) Filed: **Feb. 1, 2014**

(51) **LOC (10) Cl.** **14-02**

(52) **U.S. Cl.**
USPC **D14/448**

(58) **Field of Classification Search**

USPC D14/371-382, 125-129, 336, 337, D14/447-452, 492, 335, 239, 457, 439-441, D14/432, 251-253; D8/349, 354, 363, 373, D8/376, 380; 348/180, 184, 325, 739, 825; D12/407, 415; D3/218; 341/12; 359/601, 609, 312, 608; D6/470, 474, D6/483, 484, 487, 323, 555, 572, 574, 567, D6/678
CPC G06F 3/0412; G06F 3/016; G06F 3/0488; G06F 3/011; G06F 3/038; G06F 3/03543; G06F 3/0338; G06F 3/0202; G06F 3/0219; G06F 3/0213; G06F 1/1616; G06F 3/023; G06F 3/04883; G02F 1/13338; G02F 1/1313; G02F 1/1333; G02F 1/135; G02F 1/132; G02F 1/133308; G02F 1/134309; G02F 1/13718; G09G 3/3648; G06K 15/1252; B41J 2/465; G03F 7/70291; G02B 27/0172; G02B 5/30; G02B 2027/0118; G02B 27/0101; F16M 13/02; F16M 13/00; F16M 11/10; F16M 11/04; F16M 2200/08; F16M 11/2021; A47B 21/0314; A47B 88/044; A47B 2021/0335; H02G 3/126; F16B 47/00; F16B 47/006; A47G 1/17; A47K 2201/00

See application file for complete search history.

(56) **References Cited**

U.S. PATENT DOCUMENTS

D327,502 S * 6/1992 Maloney D19/86
D392,679 S * 3/1998 Crist D19/88

(Continued)

Primary Examiner — Deanna L Pratt

Assistant Examiner — Katie Mroczka

(74) *Attorney, Agent, or Firm* — Dov Rosenfeld; Inventek

(57) **CLAIM**

We claim the ornamental design for a monitor-mountable computing device, as shown and described.

DESCRIPTION

FIG. 1 is an upper front right perspective view of a monitor-mountable computing device of the present invention;

FIG. 2 is a front elevational view of the monitor-mountable computing device of FIG. 1;

FIG. 3 is a right side elevational view of the monitor-mountable computing device of FIG. 1, the left side of which is a mirror image thereof;

FIG. 4 is a rear elevational view of the monitor-mountable computing device of FIG. 1;

FIG. 5 is a top plan view of the monitor-mountable computing device of FIG. 1; and,

FIG. 6 is a bottom plan view of the monitor-mountable computing device of FIG. 1.

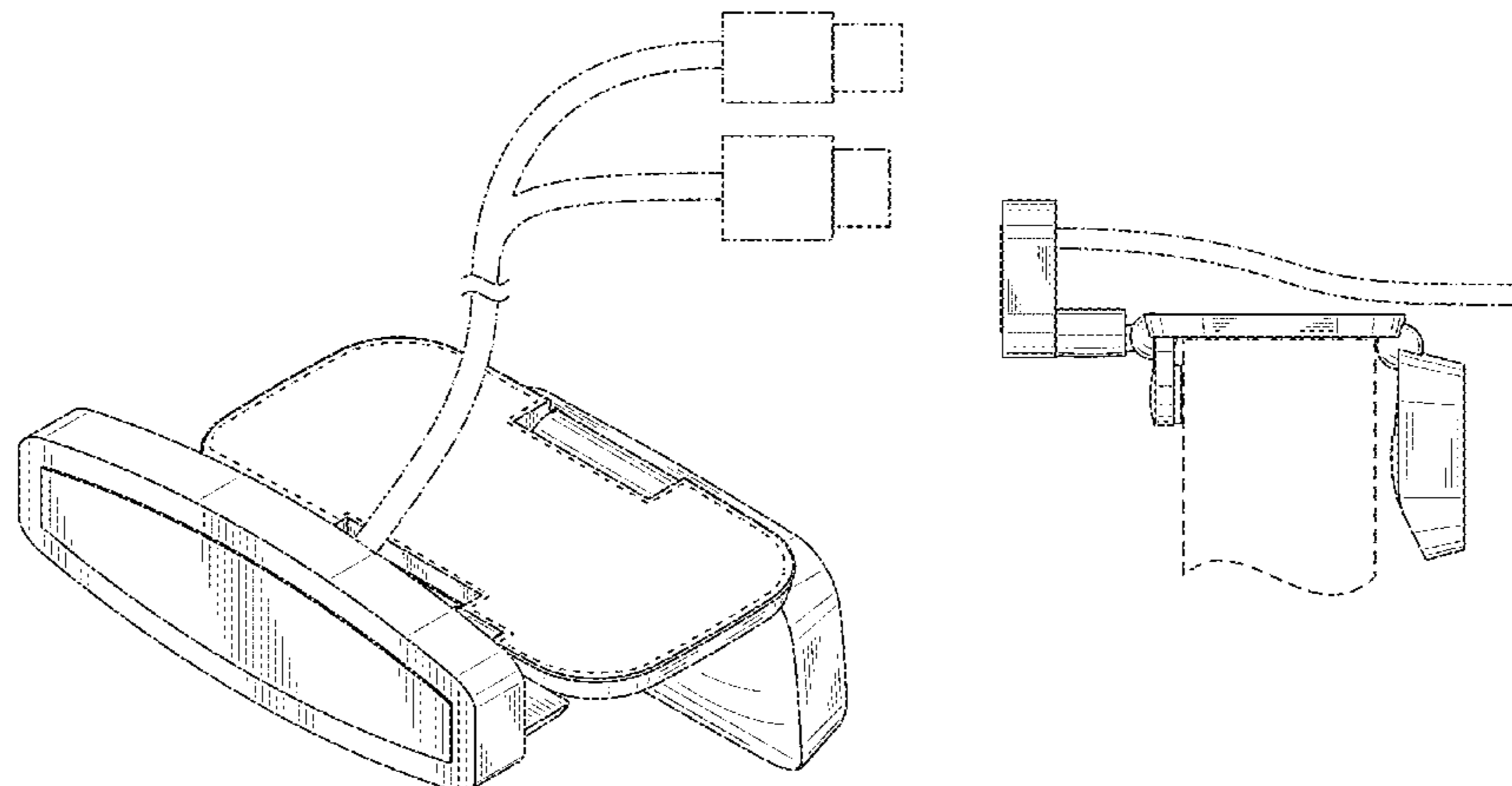
The dashed line of FIG. 3 is for the purpose of illustrating environmental structure comprising a monitor on which the monitor-mountable computing device of the present invention may be mounted, and forms no part of the claimed design.

The chain dashed lines of FIGS. 1, 3, 4, 5, and 6 are for the purpose of illustrating environmental structure comprising cables which may be attached to the monitor-mountable computing device of the present invention, and form no part of the claimed design.

The dashed lines of FIGS. 1, 4, 5, and 6 and areas within their boundaries form no part of the claimed design and define surfaces where the design may include indicia or design features that also form no part of the claimed design.

The monitor-mountable computing device of the present invention includes a housing for a processor that is intended in use to be mounted on the top of a computer monitor.

1 Claim, 3 Drawing Sheets



(56)

References Cited

U.S. PATENT DOCUMENTS

5,738,320 A * 4/1998 Matos A47B 81/061
108/1
D396,248 S * 7/1998 Nemeth D19/88
D462,691 S * 9/2002 Attwood D14/439
D469,811 S * 2/2003 Costa D14/448

D489,375 S * 5/2004 Stapleton D14/439
D590,401 S * 4/2009 Mandel D14/439
D644,776 S * 9/2011 Rea D26/63
D646,315 S * 10/2011 Orf D14/263
D692,426 S * 10/2013 Gervais D14/388
D726,806 S * 4/2015 Demars D14/448
D726,807 S * 4/2015 DeMars D14/448

* cited by examiner

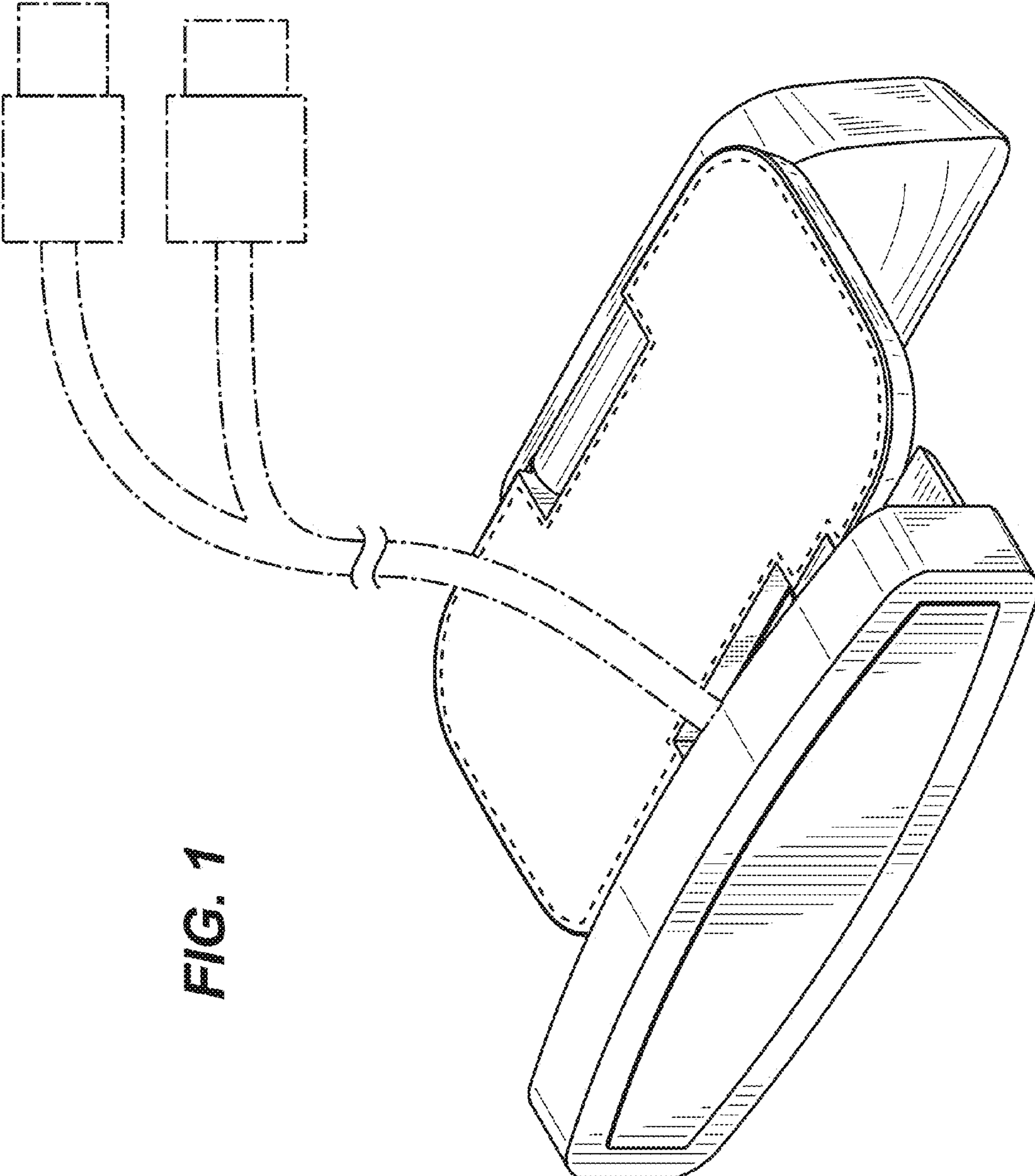


FIG. 1

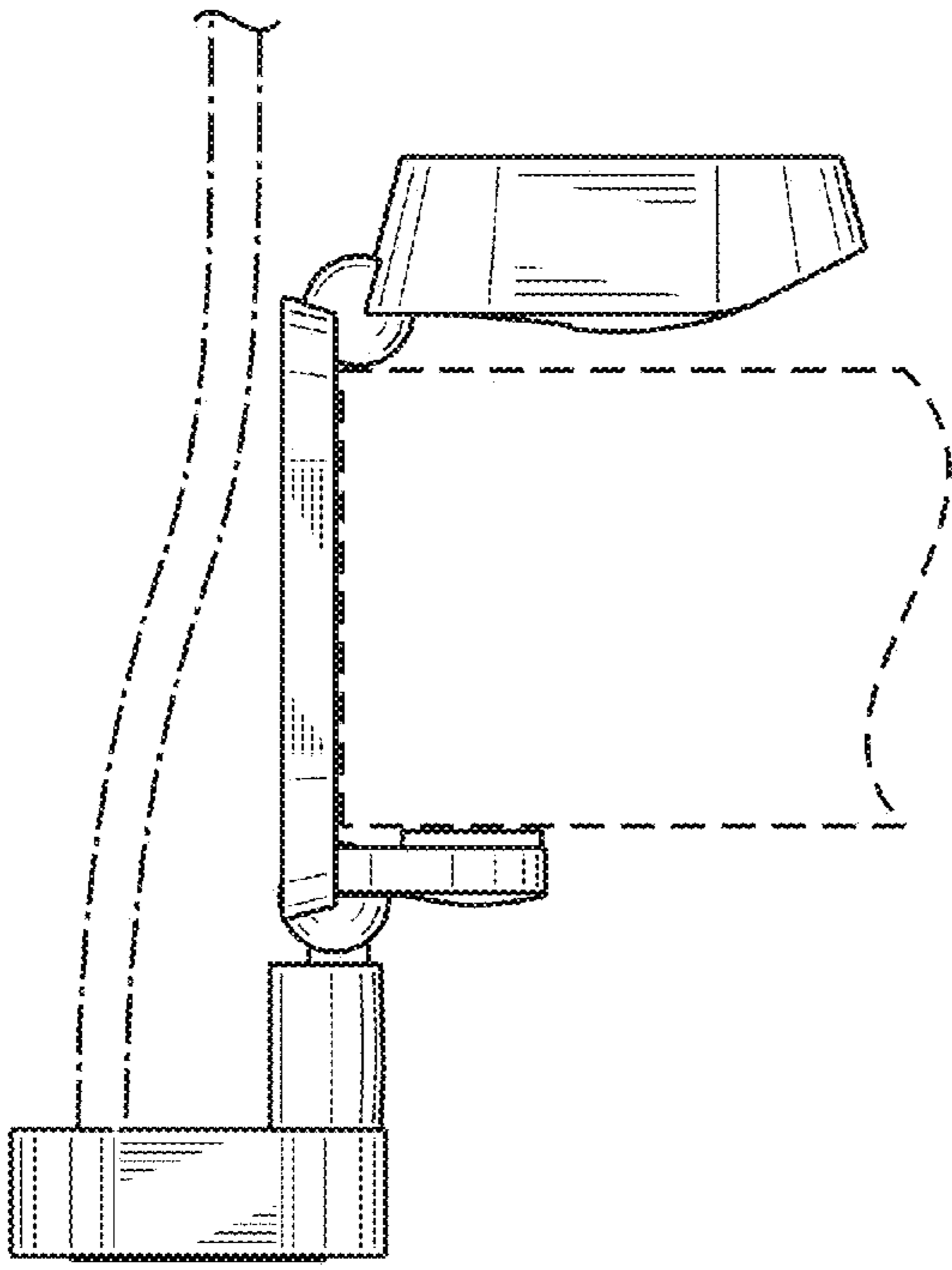


FIG. 3

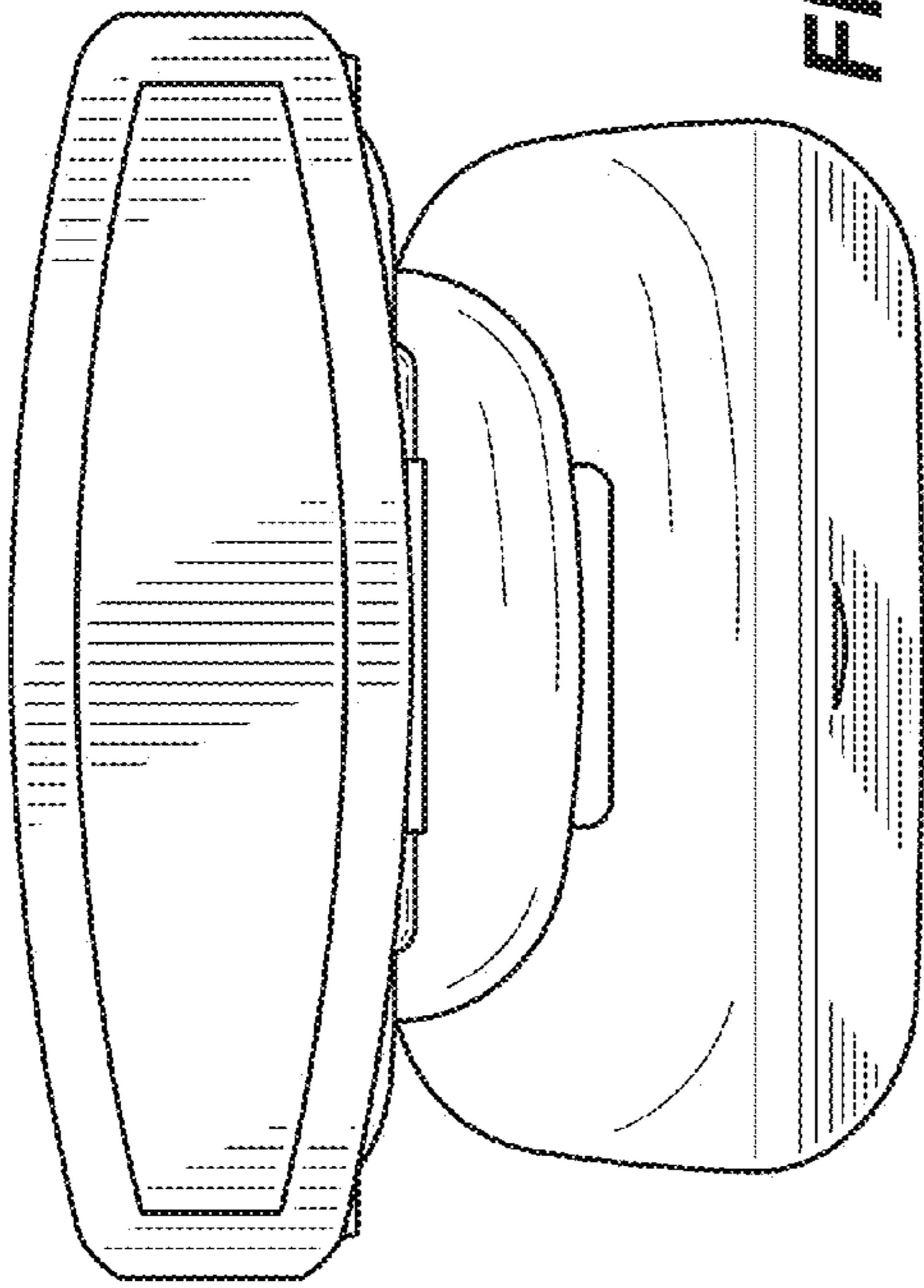


FIG. 2

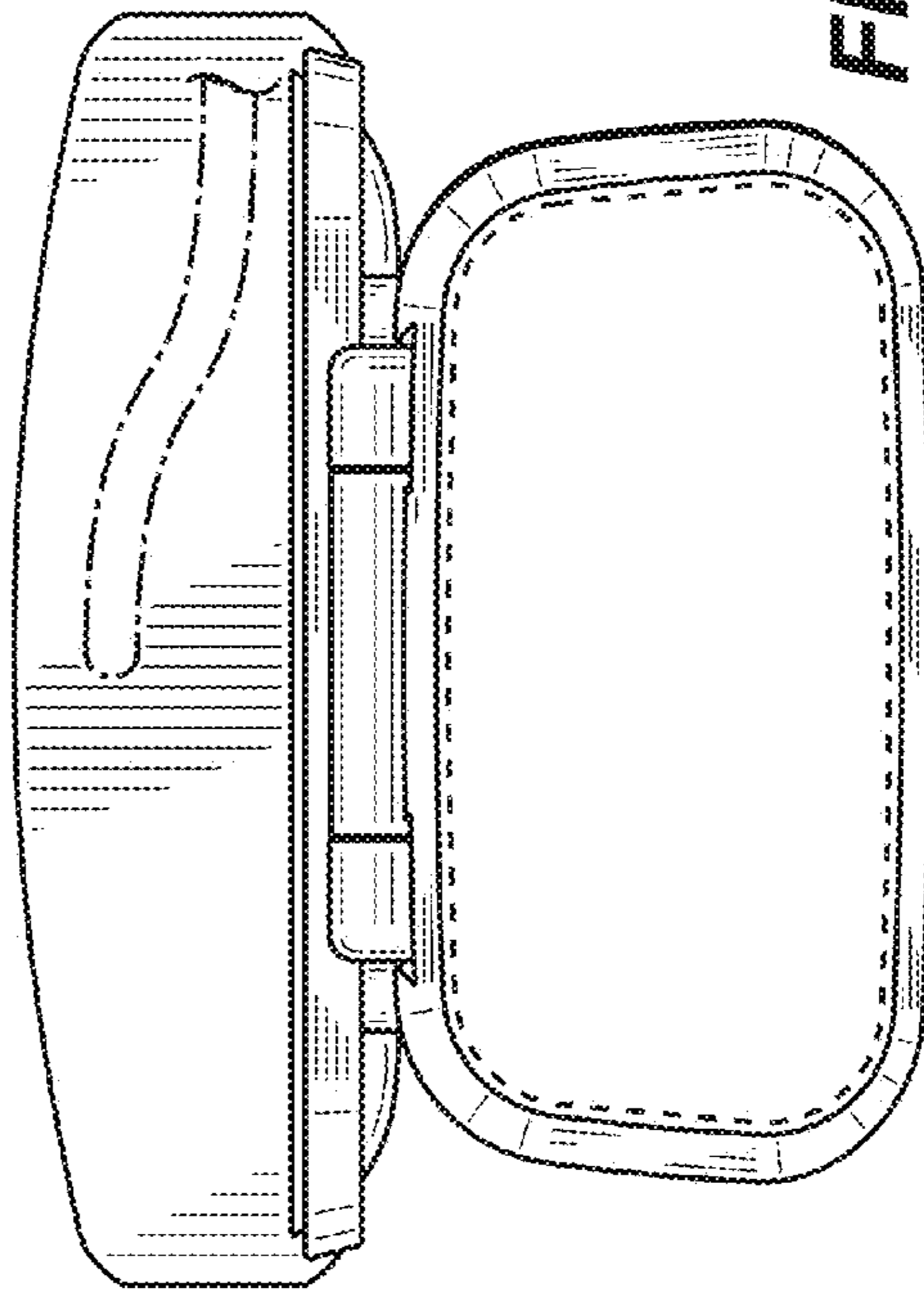


FIG. 4

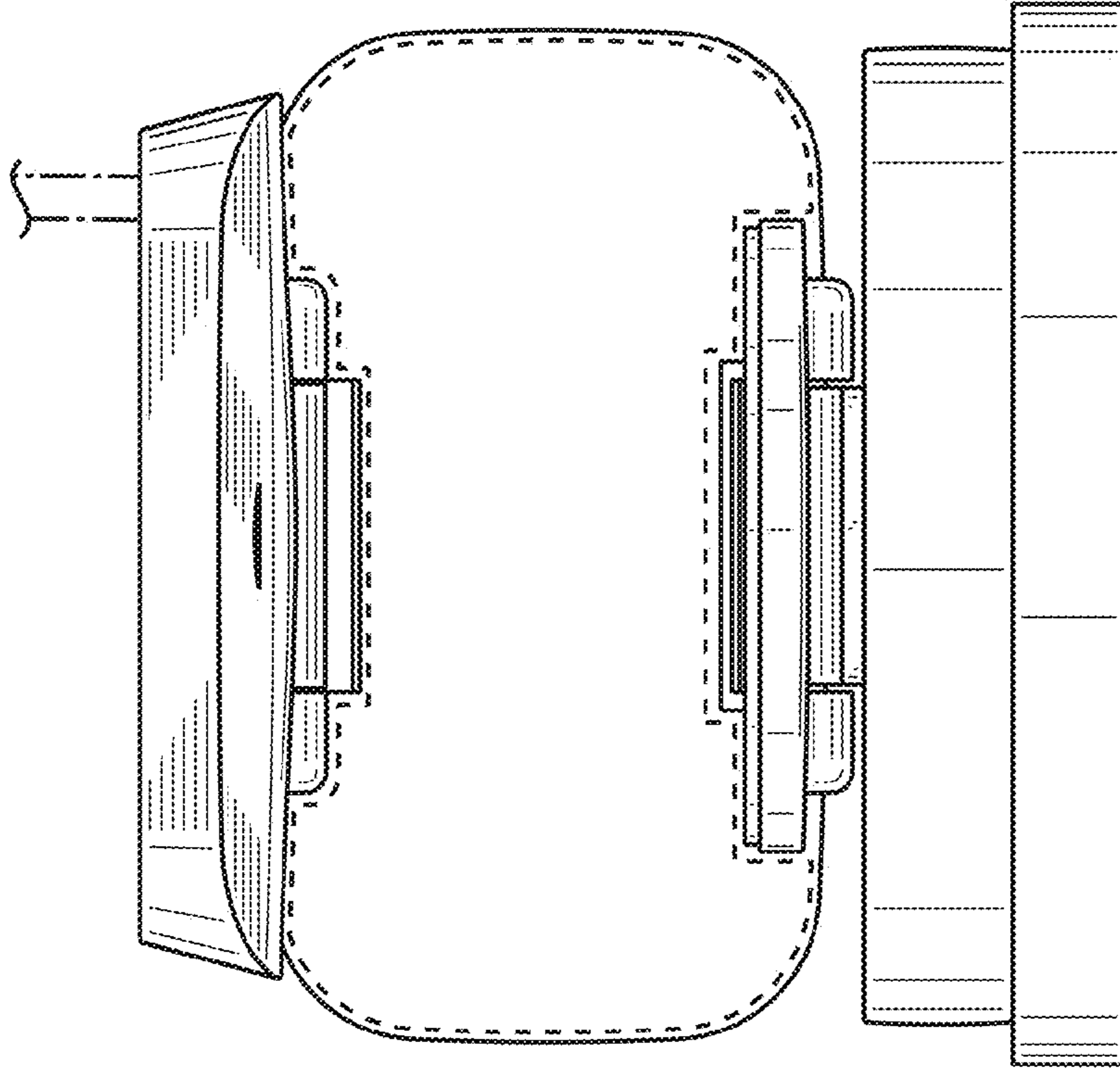


FIG. 6

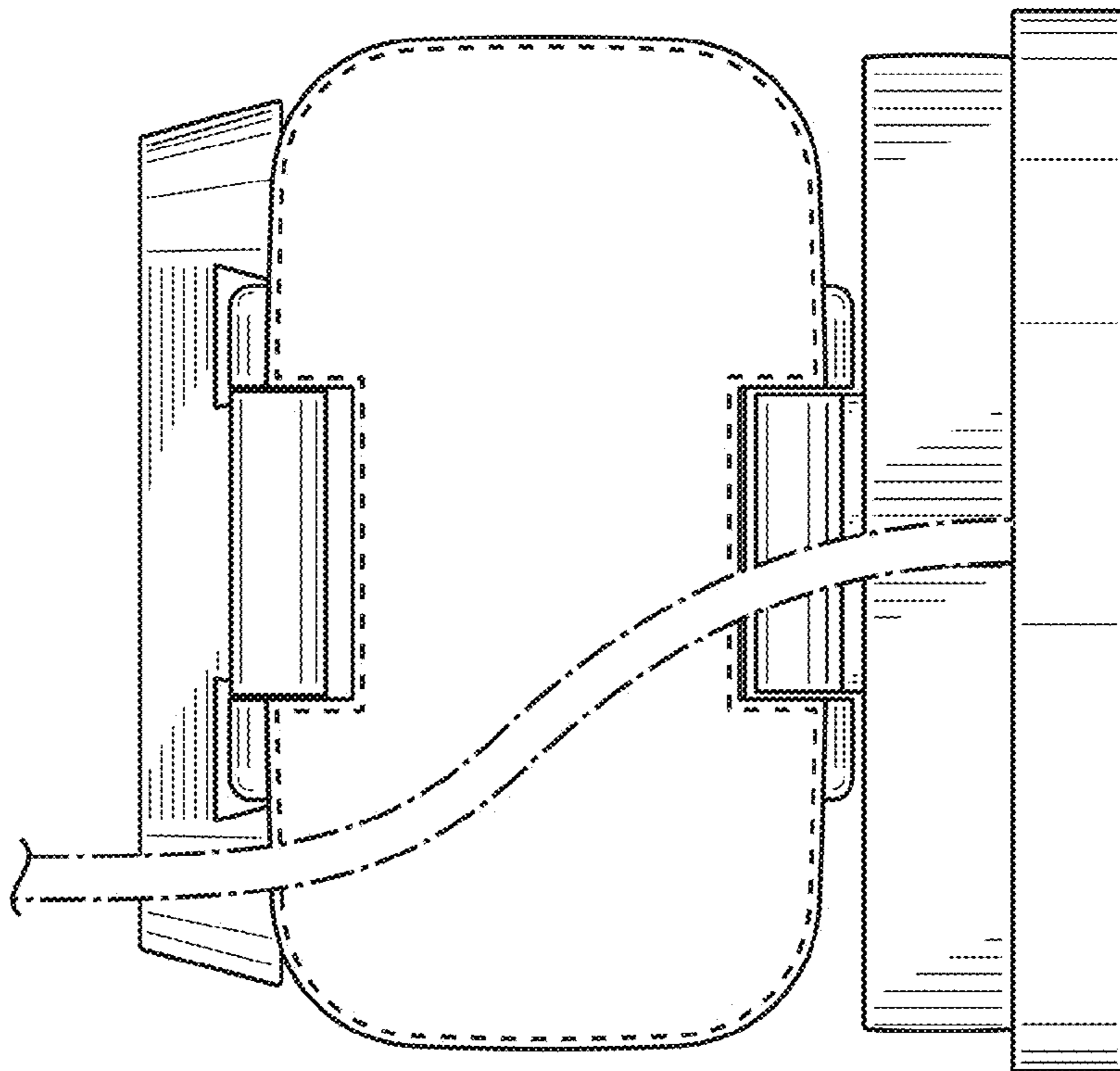


FIG. 5