



US00D749597S

(12) **United States Design Patent**  
**Wengreen**

(10) **Patent No.:** **US D749,597 S**  
(45) **Date of Patent:** **\*\* Feb. 16, 2016**

- (54) **MOUNT FOR ELECTRONIC DEVICES**
- (71) Applicant: **Innovelis, Inc.**, Sammamish, WA (US)
- (72) Inventor: **Eric John Wengreen**, Sammamish, WA (US)
- (73) Assignee: **Innovelis, Inc.**, Sammamish, WA (US)
- (\*\*) Term: **14 Years**
- (21) Appl. No.: **29/522,576**
- (22) Filed: **Mar. 31, 2015**
- (51) **LOC (10) Cl.** ..... **08-07**
- (52) **U.S. Cl.**  
USPC ..... **D14/447**
- (58) **Field of Classification Search**  
USPC ..... D14/447, 432, 434, 439, 440, 451, 452,  
D14/457, 250, 251, 253; D3/218; D6/406.3,  
D6/406.4, 406.5, 406.6  
CPC ..... A45C 2011/003; A45C 2011/002;  
A45C 13/002; A47B 2023/049; A47B  
2097/005; A47B 2097/006; A47B 21/04;  
A47B 23/00; A47B 23/043; A47B 2021/0307;  
A47B 2023/005; F16M 2200/00; H04B  
1/3888; H04M 1/04; H04M 1/185  
See application file for complete search history.

D530,713 S *	10/2006	Richter	.....	D14/253
D533,175 S *	12/2006	Richter	.....	D14/253
D551,008 S	9/2007	Hidalgo	.....	
D586,795 S *	2/2009	Richter	.....	D14/253
D639,092 S	6/2011	Lundy	.....	
D643,659 S	8/2011	Choi	.....	
D648,727 S *	11/2011	Van Den Nieuwenhuizen	.....	D14/447
D667,249 S	9/2012	London	.....	
D672,308 S *	12/2012	Cobbett	.....	D13/107
D695,748 S *	12/2013	Morris	.....	D14/447
D714,793 S *	10/2014	Kim	.....	D14/447
D716,580 S	11/2014	Wengreen et al.	.....	
D723,042 S *	2/2015	Lee	.....	D14/447
D729,544 S	5/2015	Wengreen	.....	

**OTHER PUBLICATIONS**

Innovelis, Inc. Product—TotalMount—Remote Holder, downloaded from Amazon.com on Feb. 3, 2014, first available on Amazon.com on Jul. 2, 2013: [http://www.amazon.com/Apple-TV-Remote-Holder-TotalMount/dp/B00DR76YJO/ref=sr\\_1\\_3?ie=UTF8&qid=1391474218&sr=8-3&keywords=totalmount](http://www.amazon.com/Apple-TV-Remote-Holder-TotalMount/dp/B00DR76YJO/ref=sr_1_3?ie=UTF8&qid=1391474218&sr=8-3&keywords=totalmount).

\* cited by examiner

*Primary Examiner* — Angela J Lee

(57) **CLAIM**

The ornamental design for a mount for electronic devices, as shown and described.

**DESCRIPTION**

FIG. 1 is a front, side, and top perspective view of a mount for electronic devices embodying the new design.

FIG. 2 is a back, side, and bottom perspective view thereof.

FIG. 3 is a front view thereof.

FIG. 4 is a back view thereof.

FIG. 5 is a bottom view thereof.

FIG. 6 is a top view thereof; and,

FIG. 7 is a first side view thereof, the second side view being a mirror image.

The dot-dash lines form an unclaimed boundary of the claim.

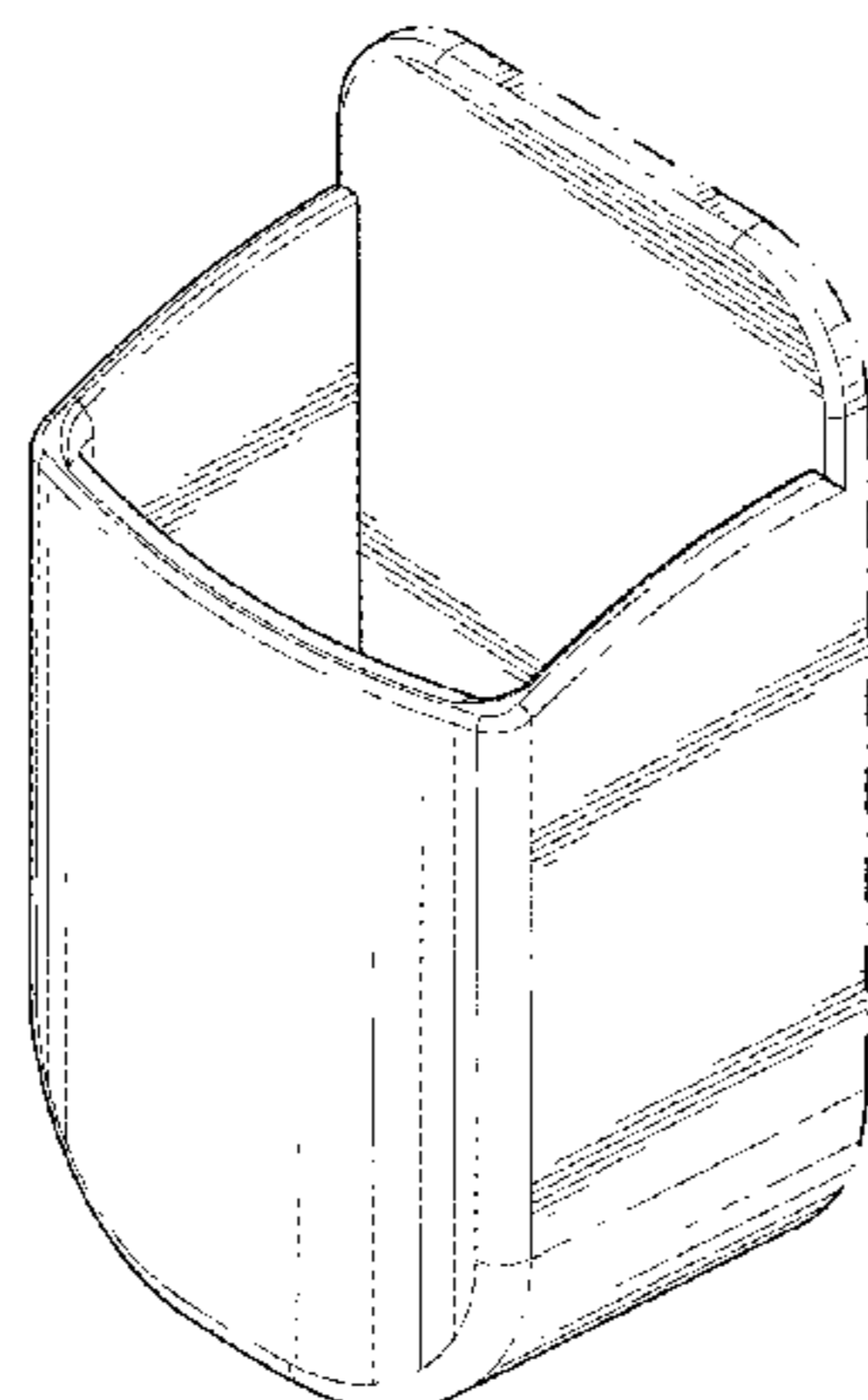
The dot-dash lines form no part of the claimed design.

**1 Claim, 3 Drawing Sheets**

(56) **References Cited**

**U.S. PATENT DOCUMENTS**

D321,885 S	11/1991	Sheldrake	
D359,616 S	6/1995	Ishibashi	
D361,335 S *	8/1995	Rudkiewicz	..... D14/142
D361,462 S	8/1995	Newham	
D385,287 S	10/1997	Westcott	
D390,849 S *	2/1998	Richter	..... D14/253
D411,542 S *	6/1999	Richter	..... D14/253
D426,041 S	5/2000	Boghossian	
D431,250 S *	9/2000	Richter	..... D14/447
D456,024 S *	4/2002	Richter	..... D14/434
D471,547 S *	3/2003	Ruohonen	..... D14/253
D529,713 S	10/2006	Guyot	
D529,905 S *	10/2006	Richter	..... D14/253



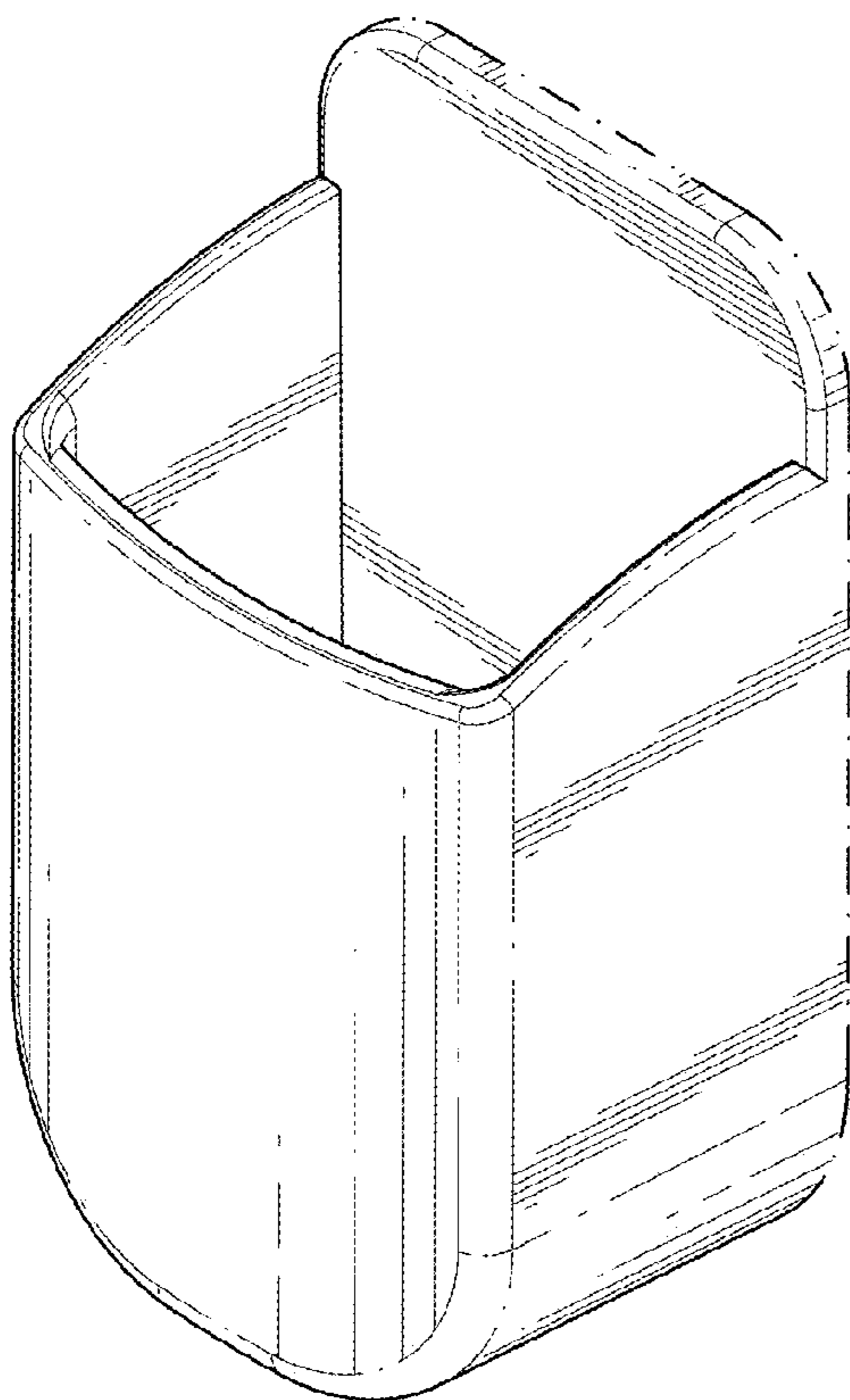


FIG. 1

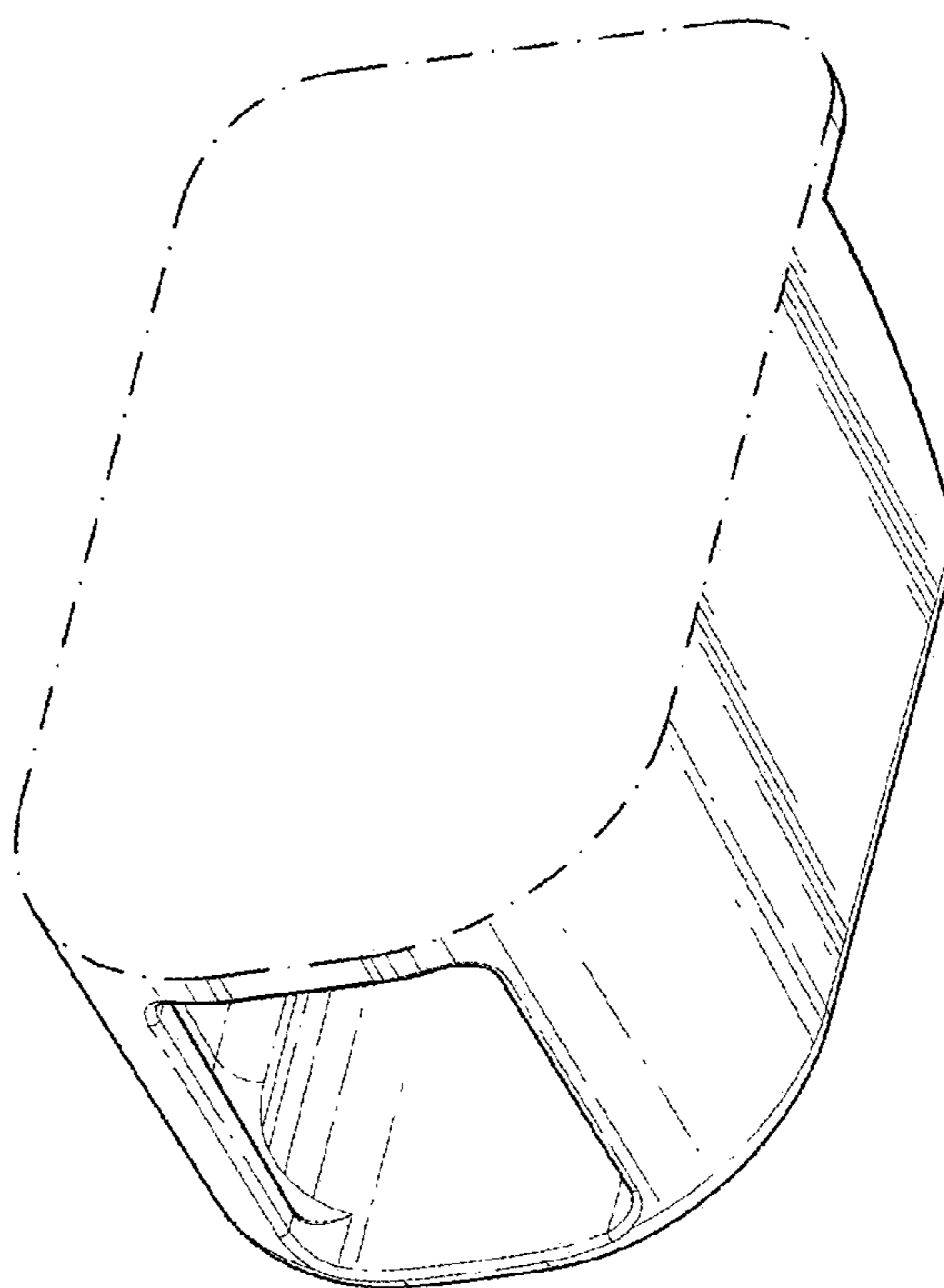
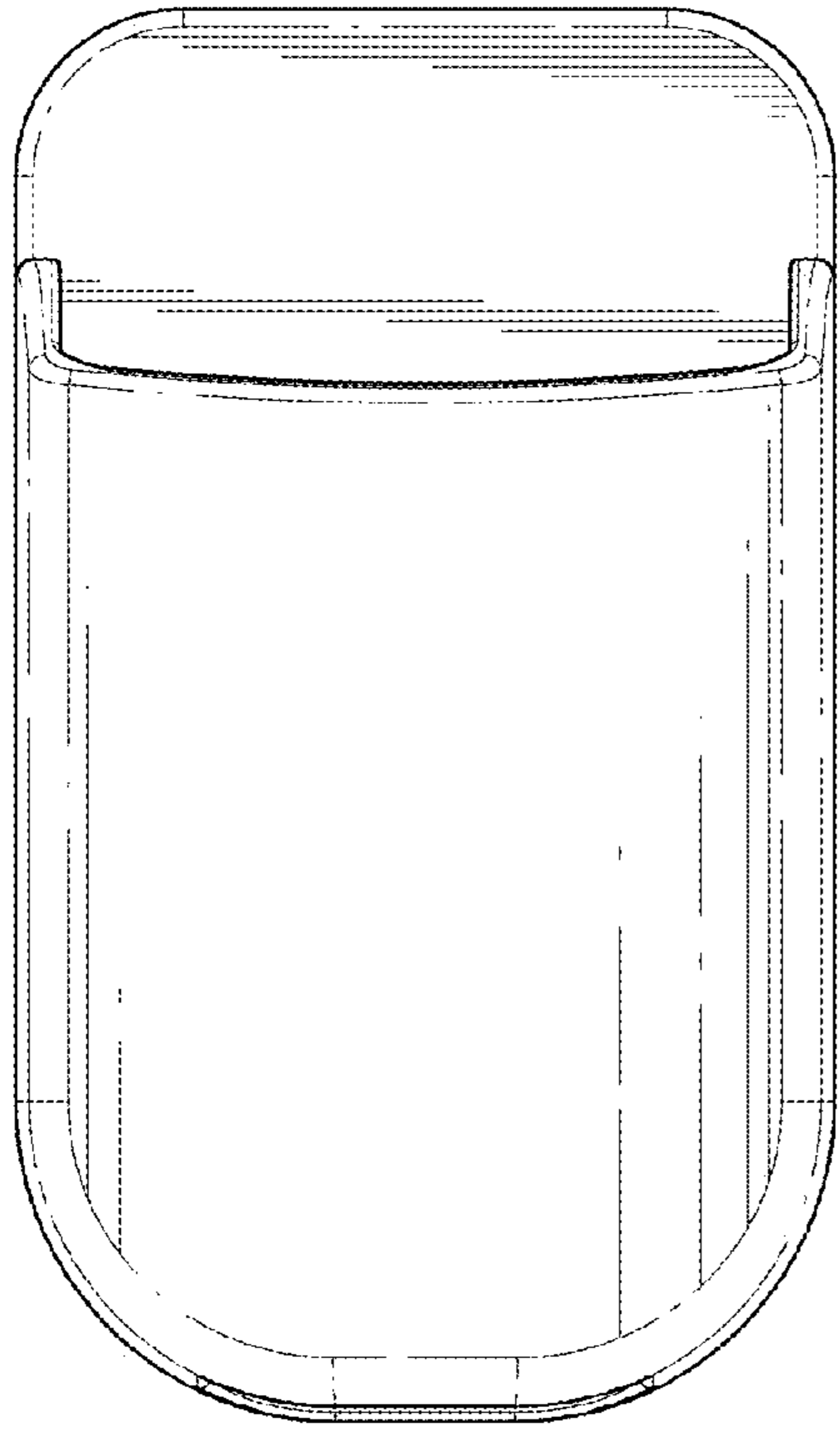
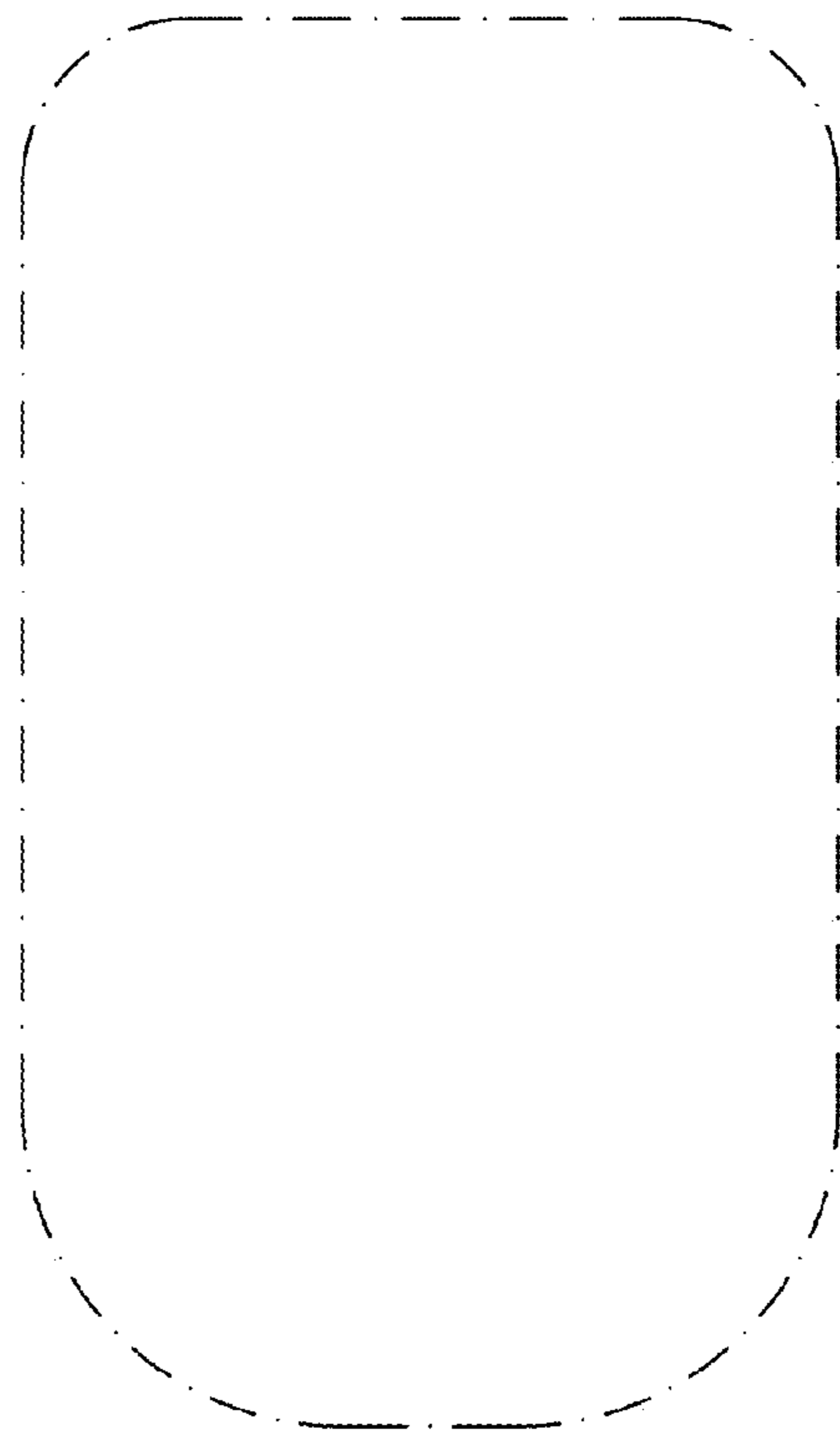


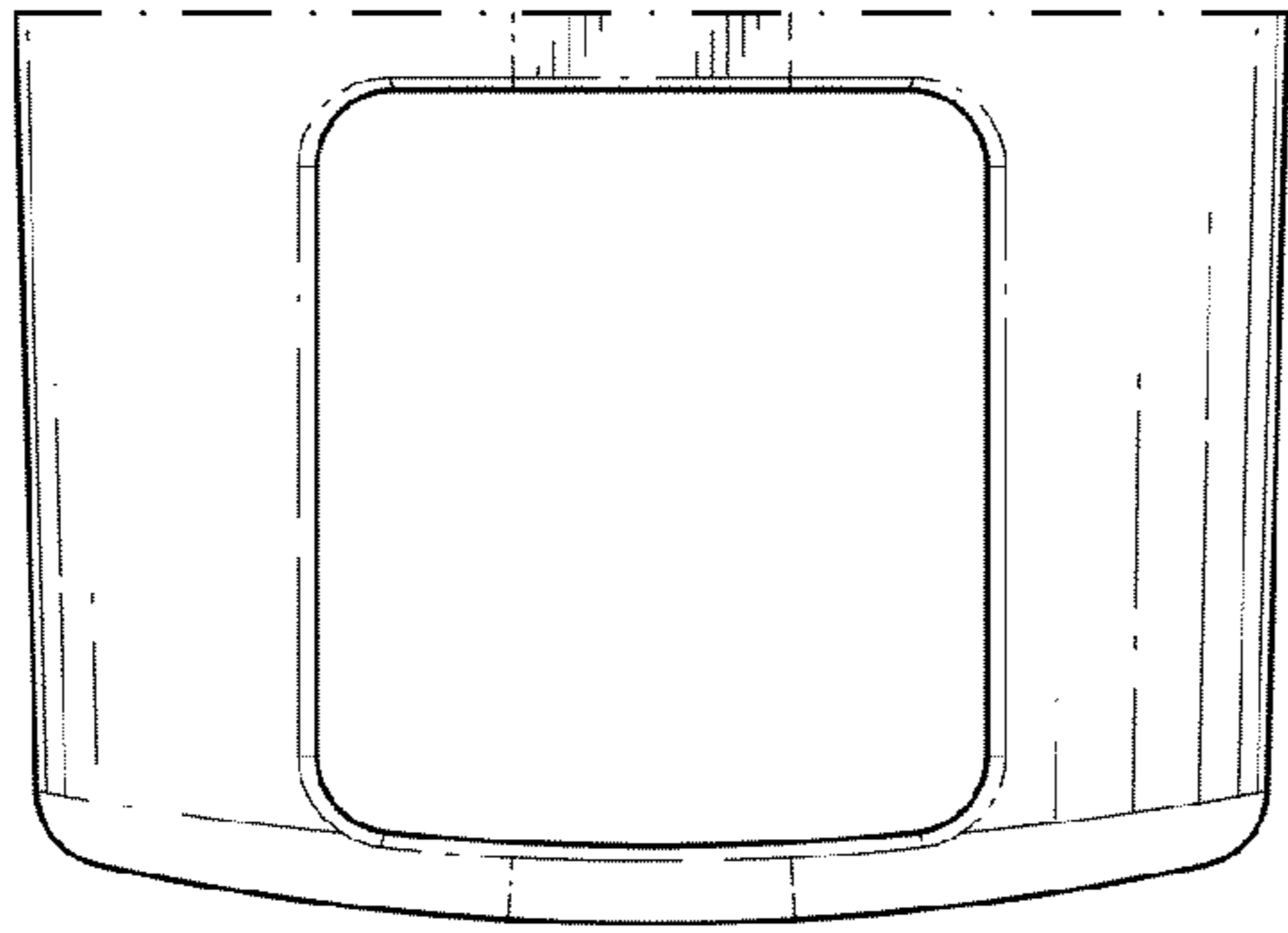
FIG. 2



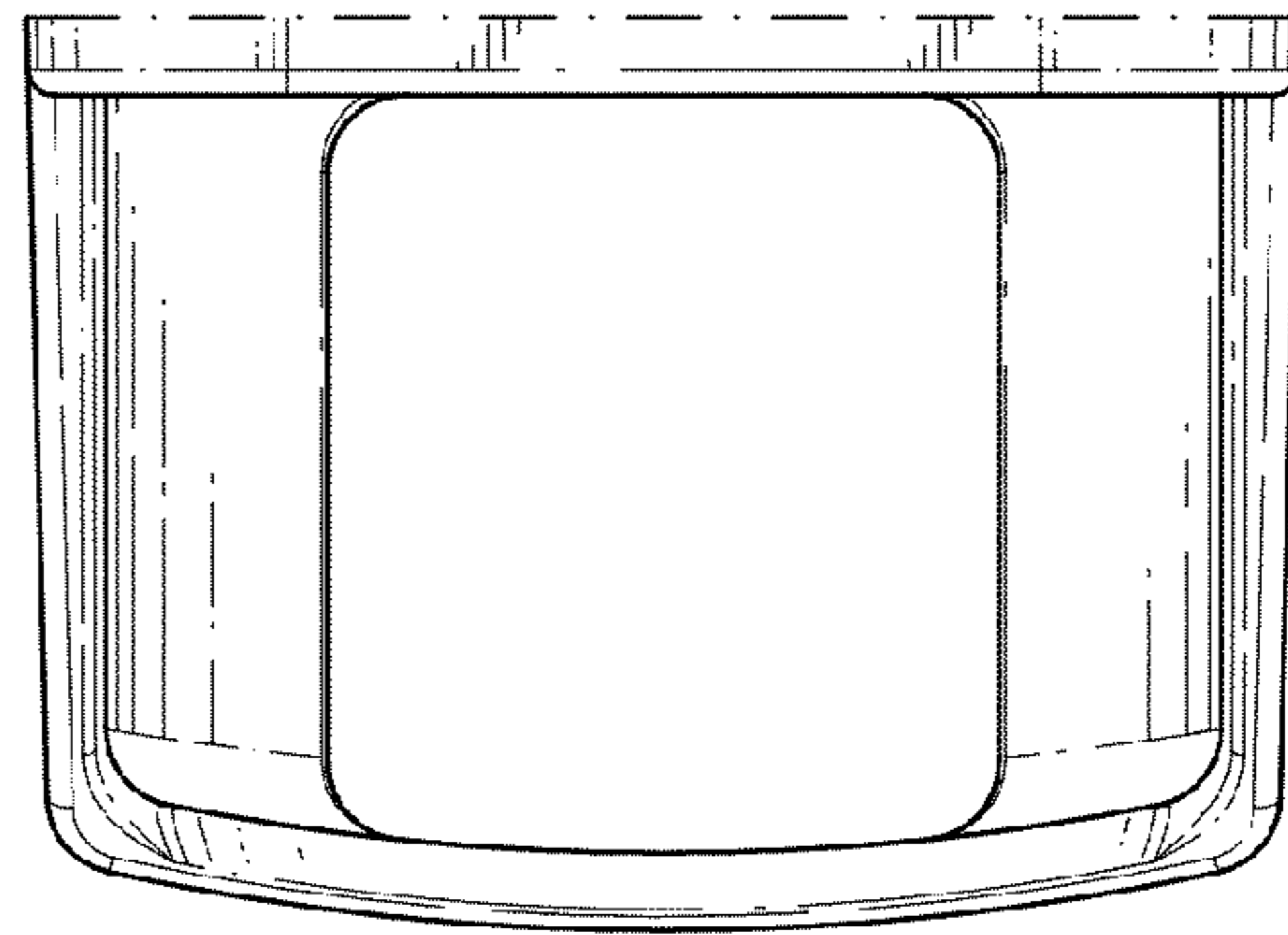
*FIG. 3*



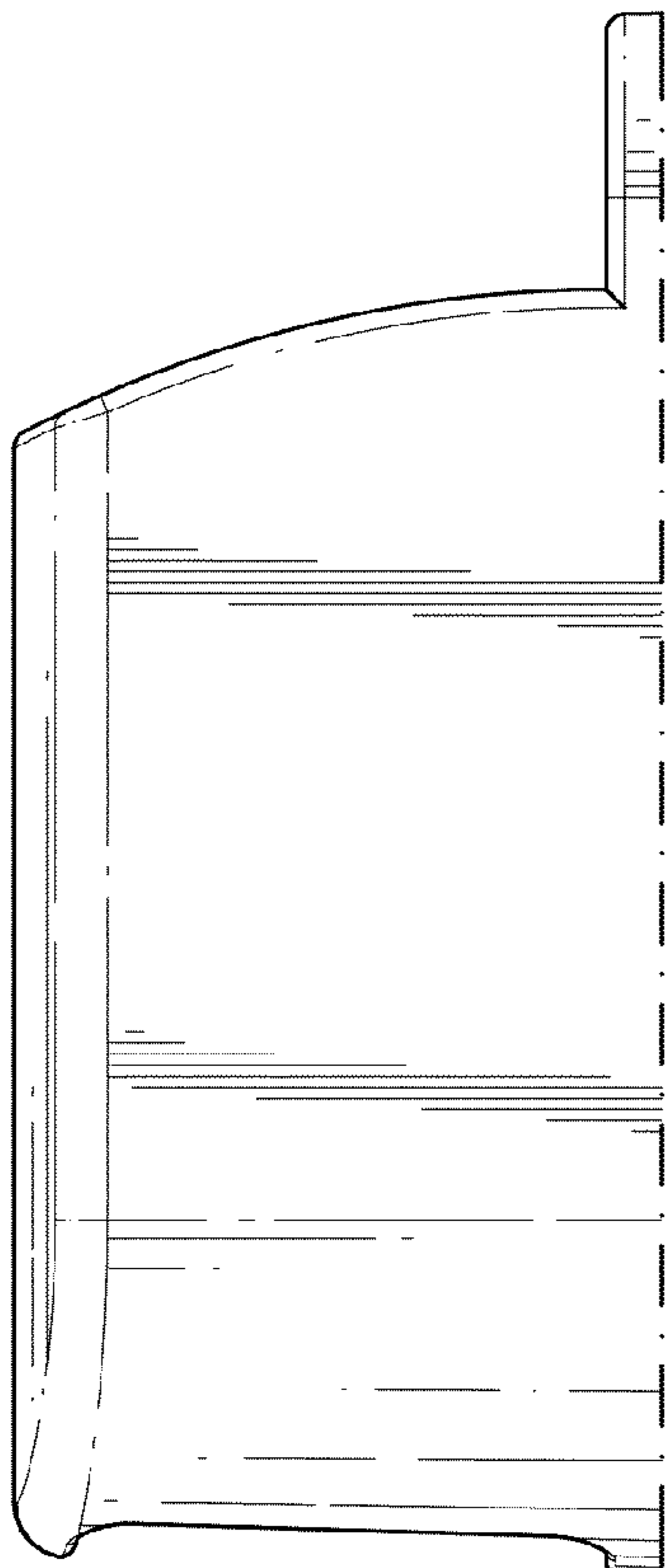
*FIG. 4*



*FIG. 5*



*FIG. 6*



*FIG. 7*