



US00D749596S

(12) **United States Design Patent**
Khodapanah et al.

(10) **Patent No.:** **US D749,596 S**

(45) **Date of Patent:** **** Feb. 16, 2016**

(54) **MOUNT ACCESSORY FOR AN ELECTRONIC DEVICE**

(56) **References Cited**

U.S. PATENT DOCUMENTS

(71) Applicant: **OTTER PRODUCTS, LLC**, Fort Collins, CO (US)
(72) Inventors: **Tony Khodapanah**, La Jolla, CA (US); **Richard W. Grant, III**, San Diego, CA (US)
(73) Assignee: **OTTER PRODUCTS, LLC**, Fort Collins, CO (US)

D645,033	S	*	9/2011	Quong	D14/253
D657,795	S	*	4/2012	Smith	D14/447
D660,305	S	*	5/2012	Ho	D14/447
D677,261	S	*	3/2013	Hsu	D14/447
D687,440	S	*	8/2013	Shieh	D14/447
D688,670	S	*	8/2013	Huang	D14/447
D692,010	S	*	10/2013	Verghese	D14/447
D711,886	S	*	8/2014	Kerawala	D14/440
D722,603	S	*	2/2015	Lay	D14/447
D732,046	S	*	6/2015	Lee	D14/447
D739,857	S	*	9/2015	Lay	D10/80
D741,335	S	*	10/2015	Bastian	D14/440
2014/0357094	A1	*	12/2014	Kim	H01R 39/00 439/13

(**) Term: **14 Years**

* cited by examiner

(21) Appl. No.: **29/513,962**

Primary Examiner — Angela J Lee

(22) Filed: **Jan. 7, 2015**

(57) **CLAIM**

(51) **LOC (10) Cl.** **08-07**

The ornamental design for a mount accessory for an electronic device, as shown and described.

(52) **U.S. Cl.**

DESCRIPTION

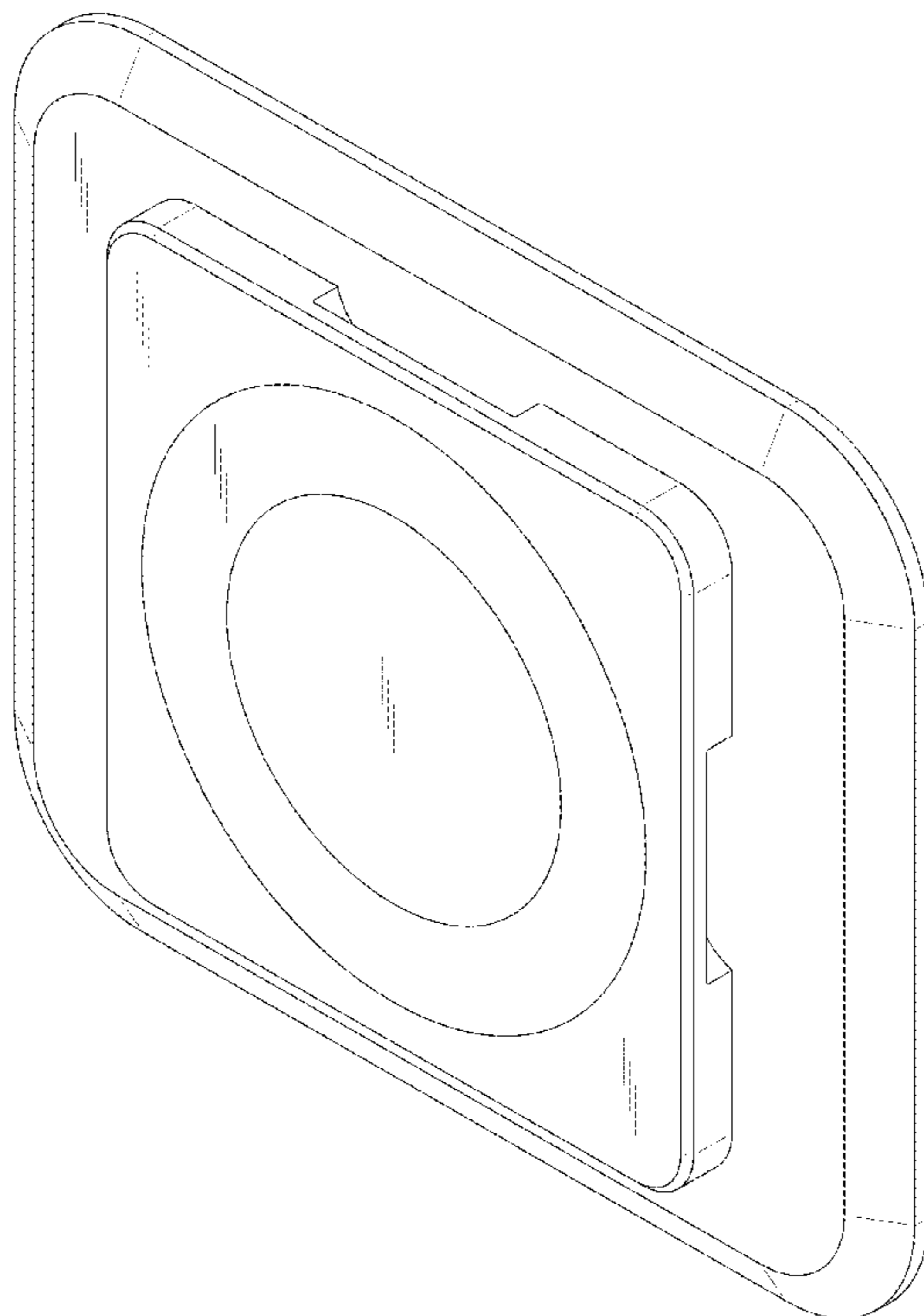
USPC **D14/447**

(58) **Field of Classification Search**

USPC D3/218; D6/406.3, 406.4, 406.5, 406.6
CPC A45C 2011/003; A45C 2011/002;
A45C 13/002; A47B 2023/049; A47B
2097/005; A47B 2097/006; A47B 21/04;
A47B 23/00; A47B 23/043; A47B 2021/0307;
A47B 2023/005; F16M 2200/00; H04B
1/3888; H04M 1/04; H04M 1/185
See application file for complete search history.

FIG. 1 is a front isometric view of a mount accessory for an electronic device showing our new design;
FIG. 2 is a rear isometric view thereof;
FIG. 3 is a front view thereof;
FIG. 4 is a rear view thereof;
FIG. 5 is a left view thereof;
FIG. 6 is a right view thereof;
FIG. 7 is a top view thereof; and,
FIG. 8 is a bottom view thereof.

1 Claim, 6 Drawing Sheets



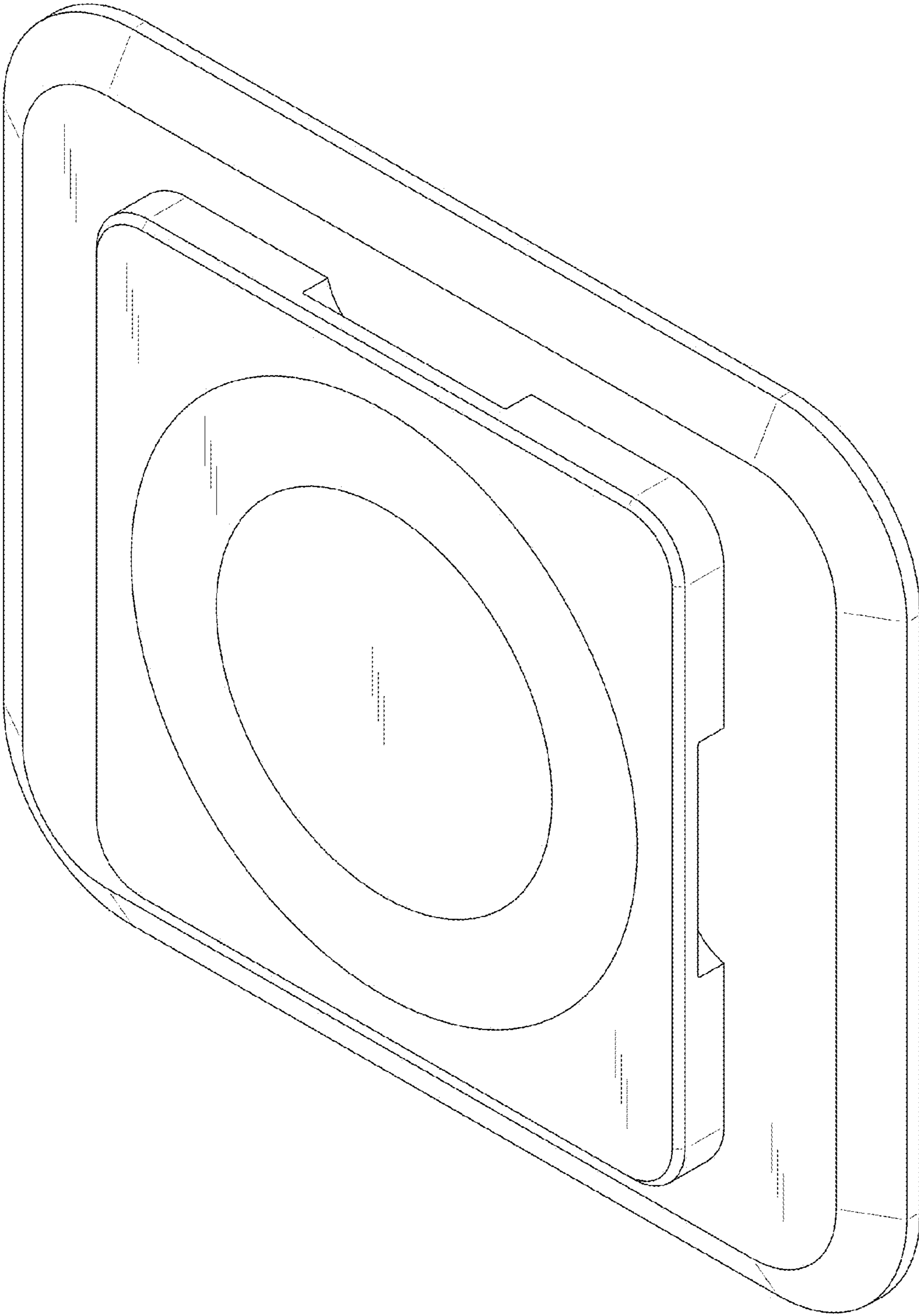


FIG. 1

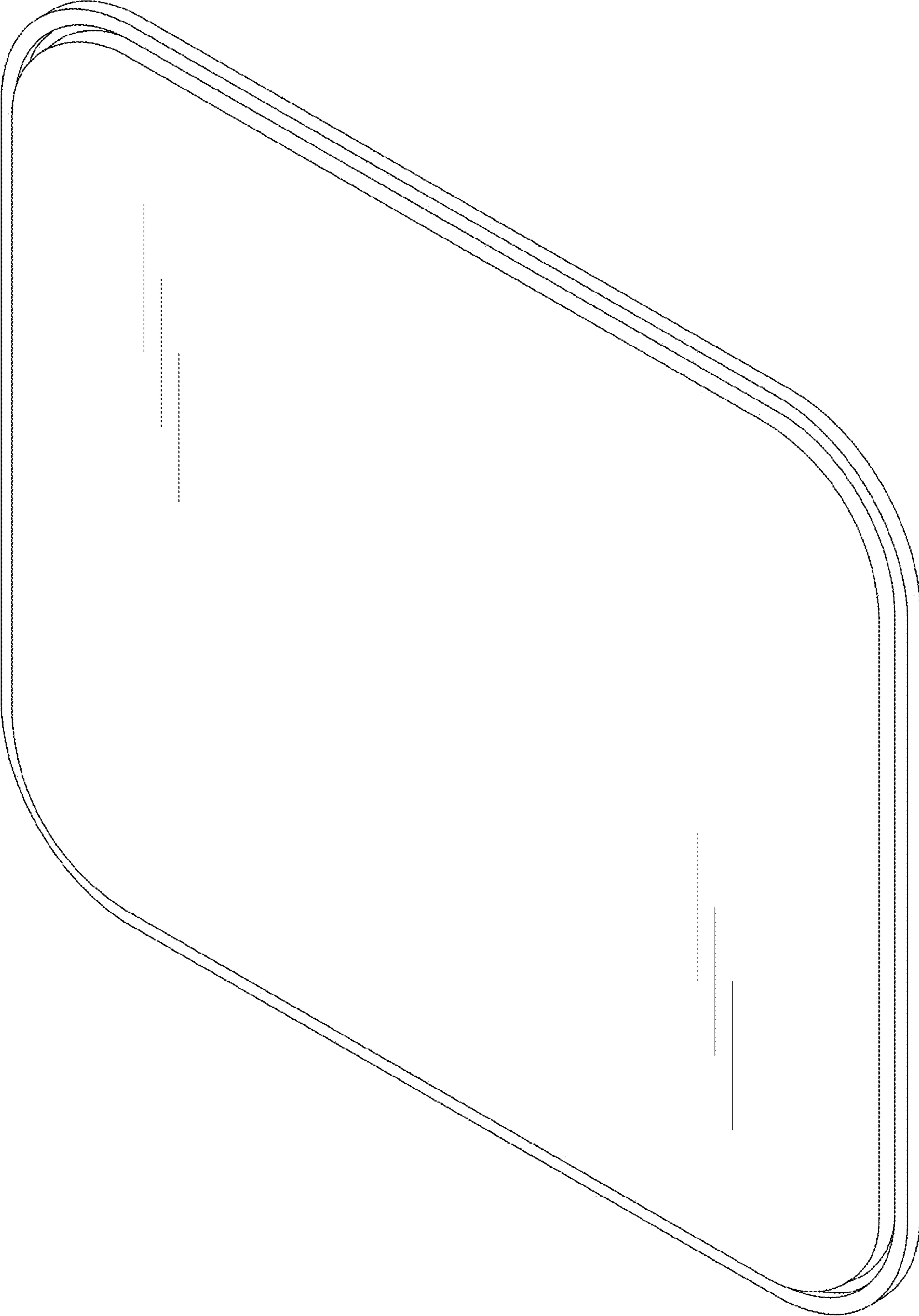


FIG. 2

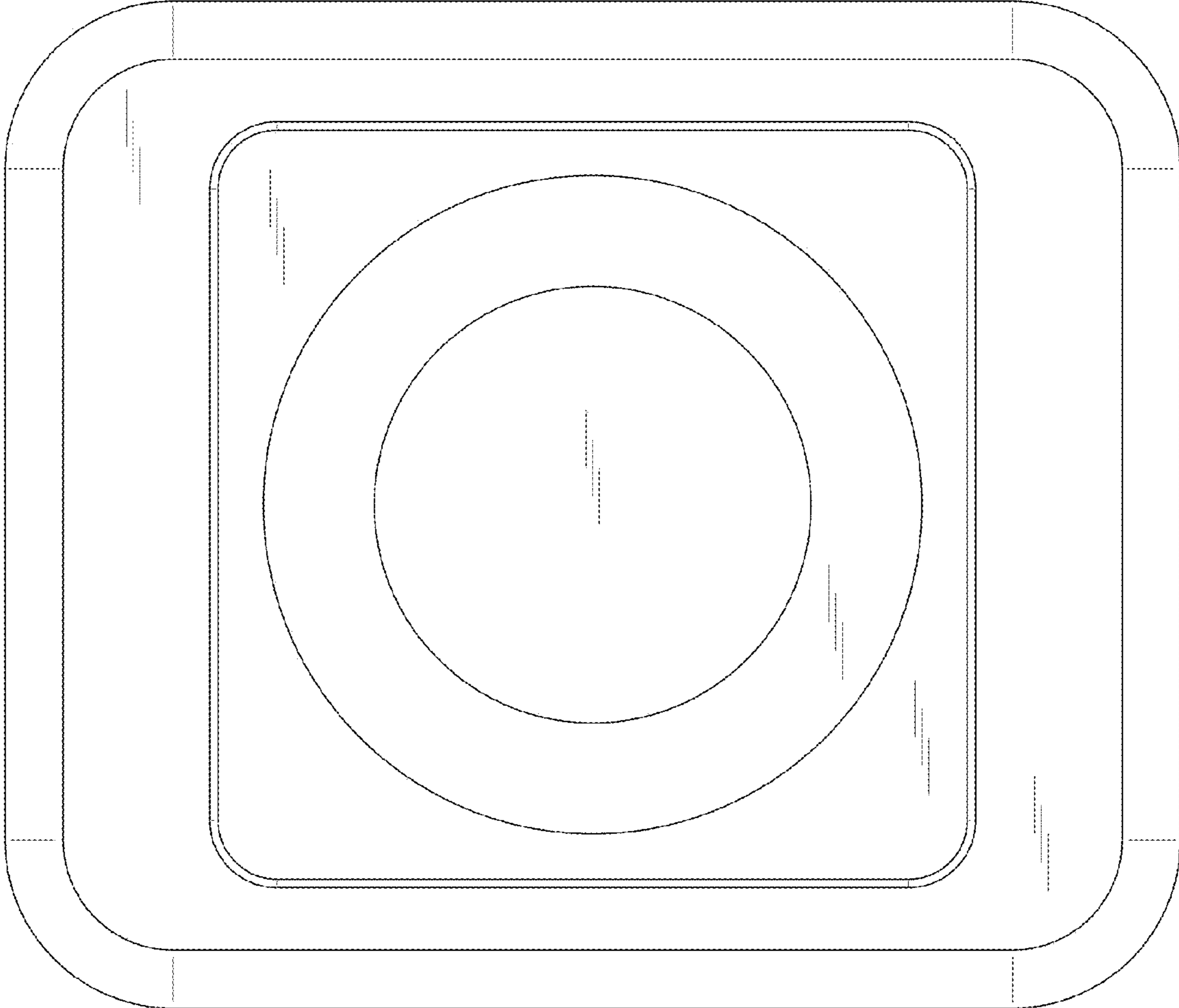


FIG. 3

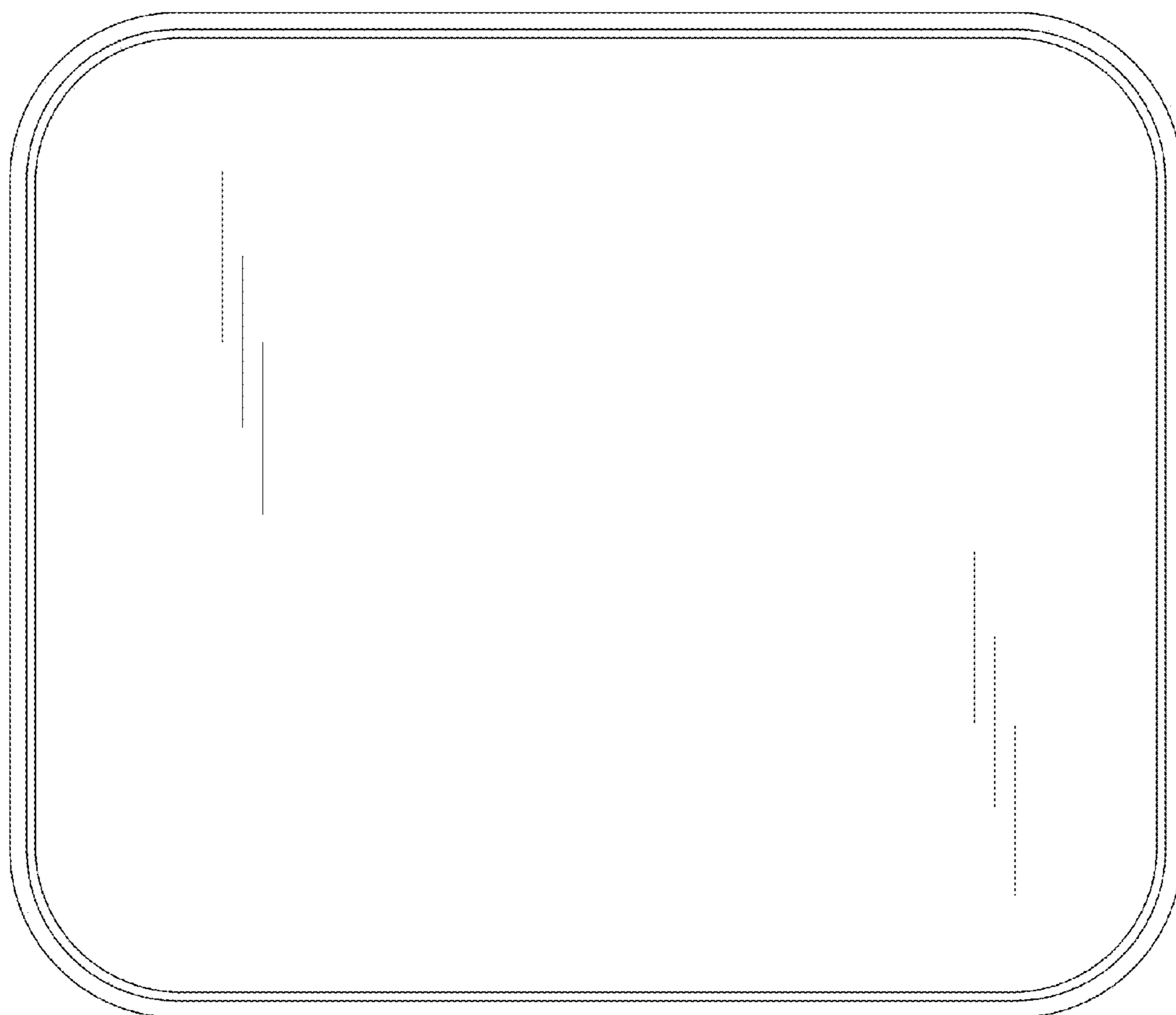


FIG. 4

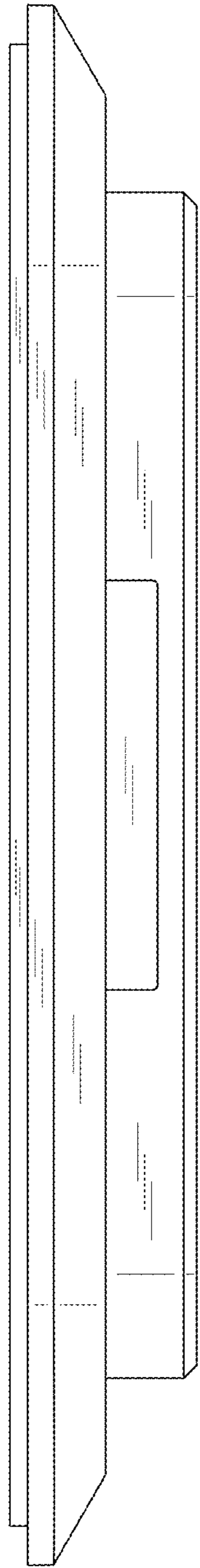


FIG. 5

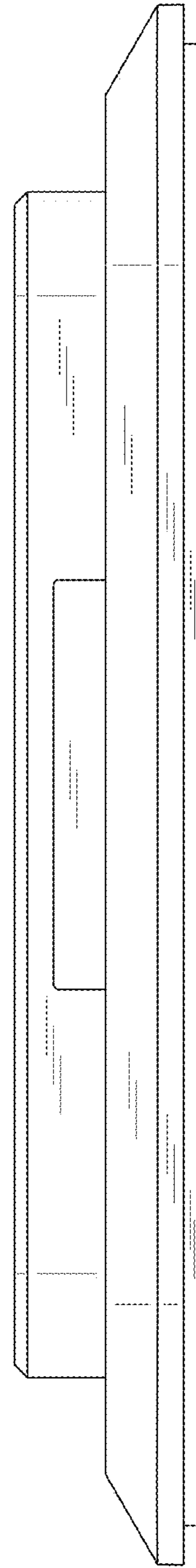


FIG. 6

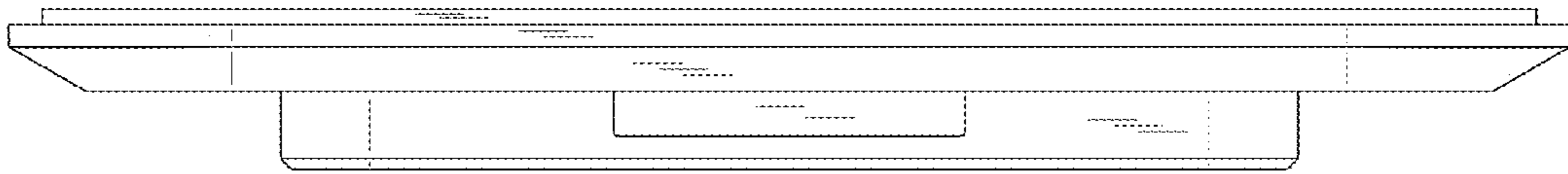


FIG. 7

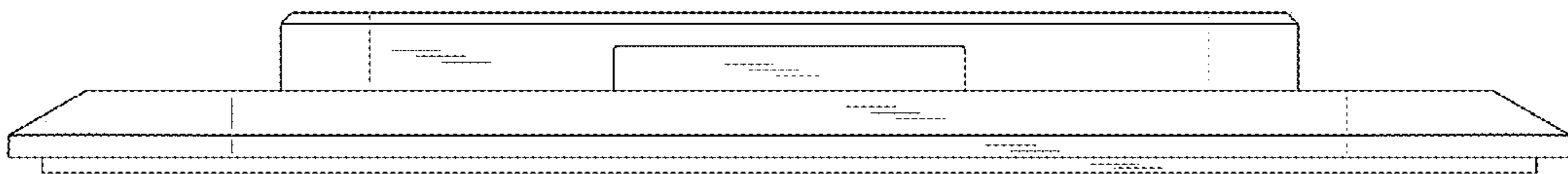


FIG. 8