



US00D749594S

(12) **United States Design Patent**
Kim et al.

(10) **Patent No.:** **US D749,594 S**
(45) **Date of Patent:** **** Feb. 16, 2016**

- (54) **ELECTRONIC DEVICE KICKSTAND SHELL**
- (71) Applicant: **BlackBerry Limited**, Waterloo (CA)
- (72) Inventors: **Younghwan Kim**, Waterloo (CA);
Leonardo Aldana, Waterloo (CA)
- (73) Assignee: **BlackBerry Limited**, Waterloo, Ontario (CA)
- (**) Term: **14 Years**
- (21) Appl. No.: **29/511,302**
- (22) Filed: **Dec. 9, 2014**
- (51) **LOC (10) Cl.** **14-02**
- (52) **U.S. Cl.**
USPC **D14/440**
- (58) **Field of Classification Search**
USPC D3/218, 215, 201, 294, 289, 900;
D14/432, 440, 454, 402; 428/40.1;
200/302.1
CPC ... G06F 1/1601; G06F 1/1626; G06F 1/1633;
G06F 1/1675; G06F 1/1679; G02F 1/1306;
G02F 1/133; G02F 1/133308; G02F 1/153;
G02F 1/1533; G02F 2001/133317; H04M
1/185; H04M 1/0252; H04B 1/3888; A45C
1/06; A45C 3/08
See application file for complete search history.

(56) **References Cited**

U.S. PATENT DOCUMENTS

- 4,905,821 A * 3/1990 Corbett A47G 1/12
206/45.24
- D583,572 S * 12/2008 Zhai D14/371
- D590,386 S * 4/2009 Leith D14/248
- 8,173,893 B2 * 5/2012 Huang A45C 11/00
136/251
- D663,294 S * 7/2012 Buxton D14/250
- 8,243,428 B2 * 8/2012 Fu F16M 11/10
248/917
- D679,271 S * 4/2013 Liu D13/103
- 8,514,568 B2 * 8/2013 Qiao F16M 11/10
248/917
- D690,305 S * 9/2013 Wen D14/440
- 8,522,965 B1 * 9/2013 Hsiung B65D 25/24
206/320

- D700,186 S * 2/2014 Feng D14/447
- D704,200 S * 5/2014 Rayner D14/447
- D706,254 S * 6/2014 Chang D14/217
- 8,820,525 B1 * 9/2014 Zaxiang F16M 11/10
206/320
- D718,771 S * 12/2014 Huang D14/447
- D718,772 S * 12/2014 Westrup D14/447
- D719,169 S * 12/2014 McBroom D14/440
- D732,543 S * 6/2015 Westrup D14/447
- D733,152 S * 6/2015 Sirichai D14/440
- 9,095,194 B2 * 8/2015 Hassett A45C 11/00
- 2010/0294909 A1 * 11/2010 Hauser B42D 9/00
248/456
- 2012/0106054 A1 * 5/2012 Royz F16M 11/10
361/679.3
- 2013/0214661 A1 * 8/2013 McBroom G06F 1/1667
312/325
- 2013/0313142 A1 * 11/2013 Wen A45C 11/00
206/320

* cited by examiner

Primary Examiner — Cynthia Underwood
(74) *Attorney, Agent, or Firm* — Jon Gibbons; Fleit Gibbons
Gutman Bongini & Bianco P.L.

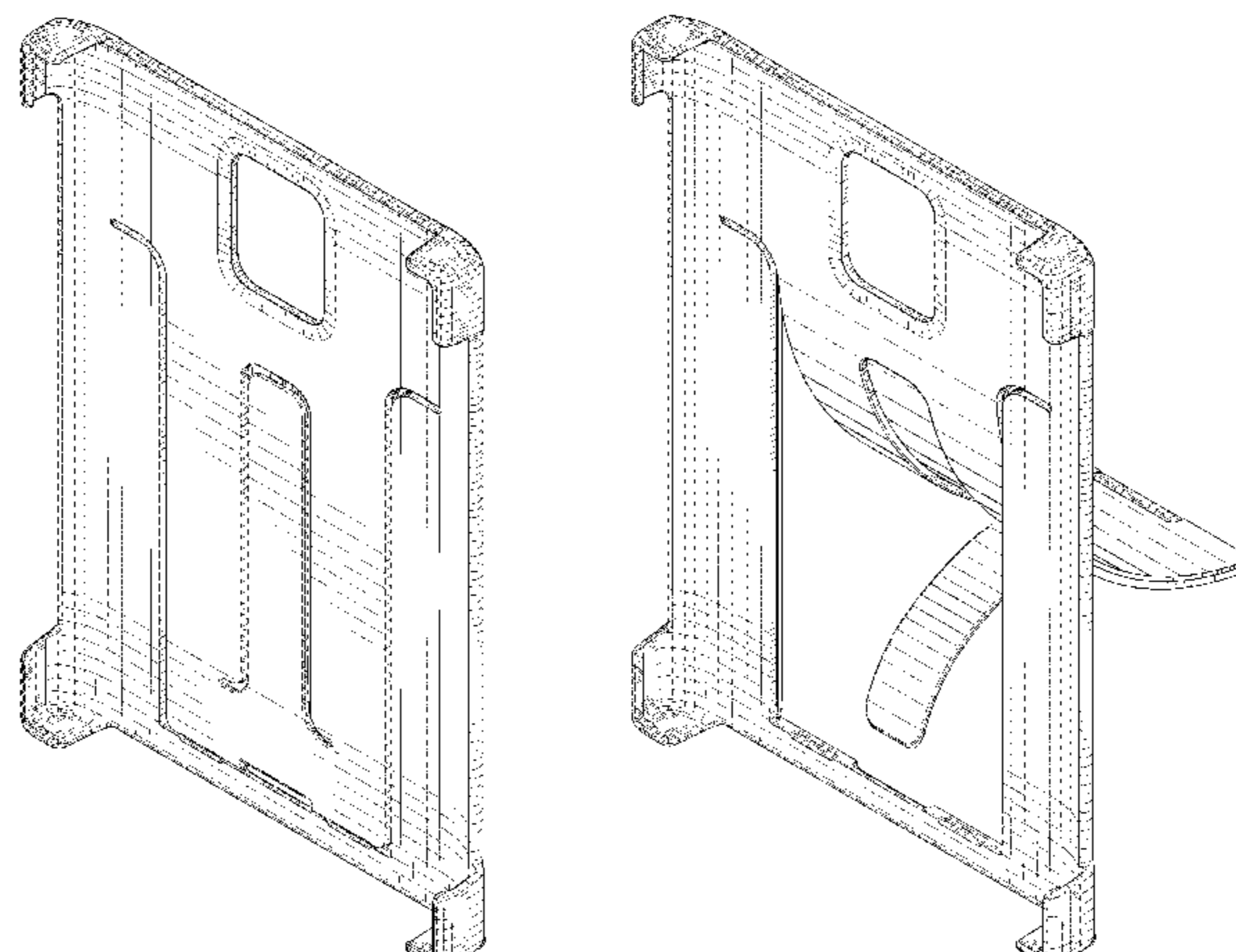
(57) **CLAIM**

The ornamental design for an electronic device kickstand shell, as shown and described.

DESCRIPTION

FIG. 1 is an interior perspective view of the electronic device kickstand shell;
 FIG. 2 is an exterior perspective view thereof;
 FIG. 3 is a plan view showing an interior thereof;
 FIG. 4 is a plan view showing an exterior thereof;
 FIG. 5 is a first elevation view thereof;
 FIG. 6 is a second elevation view thereof;
 FIG. 7 is a third elevation view thereof;
 FIG. 8 is a fourth elevation view thereof;
 FIG. 9 is an interior perspective view of the electronic device kickstand shell shown in an alternate configuration;
 FIG. 10 is an exterior perspective view thereof;
 FIG. 11 is a plan view showing an interior thereof;
 FIG. 12 is a plan view showing an exterior thereof;
 FIG. 13 is a first elevation view thereof;
 FIG. 14 is a second elevation view thereof;
 FIG. 15 is a third elevation view thereof; and,
 FIG. 16 is a fourth elevation view thereof.

1 Claim, 13 Drawing Sheets



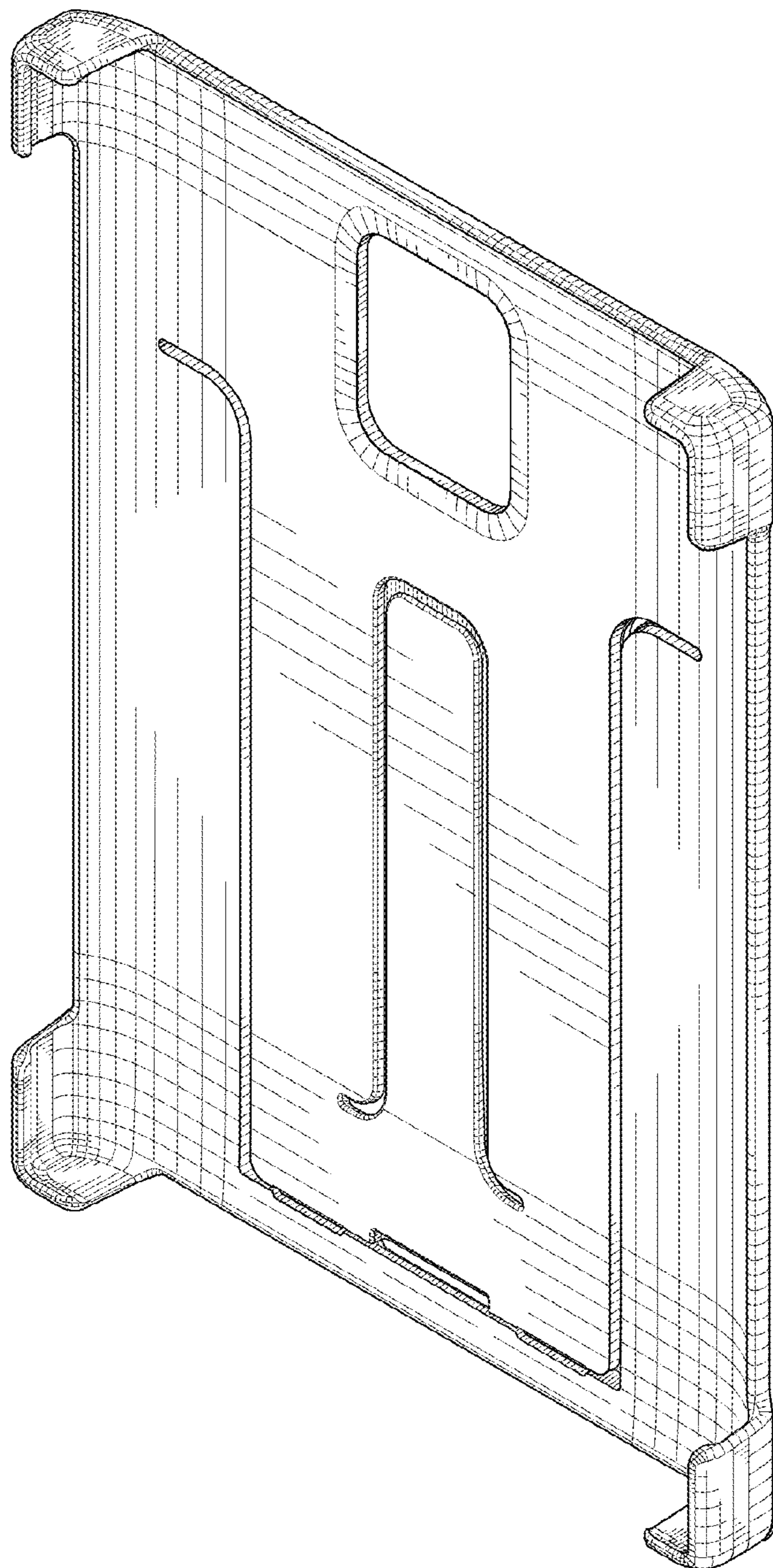


FIG. 1

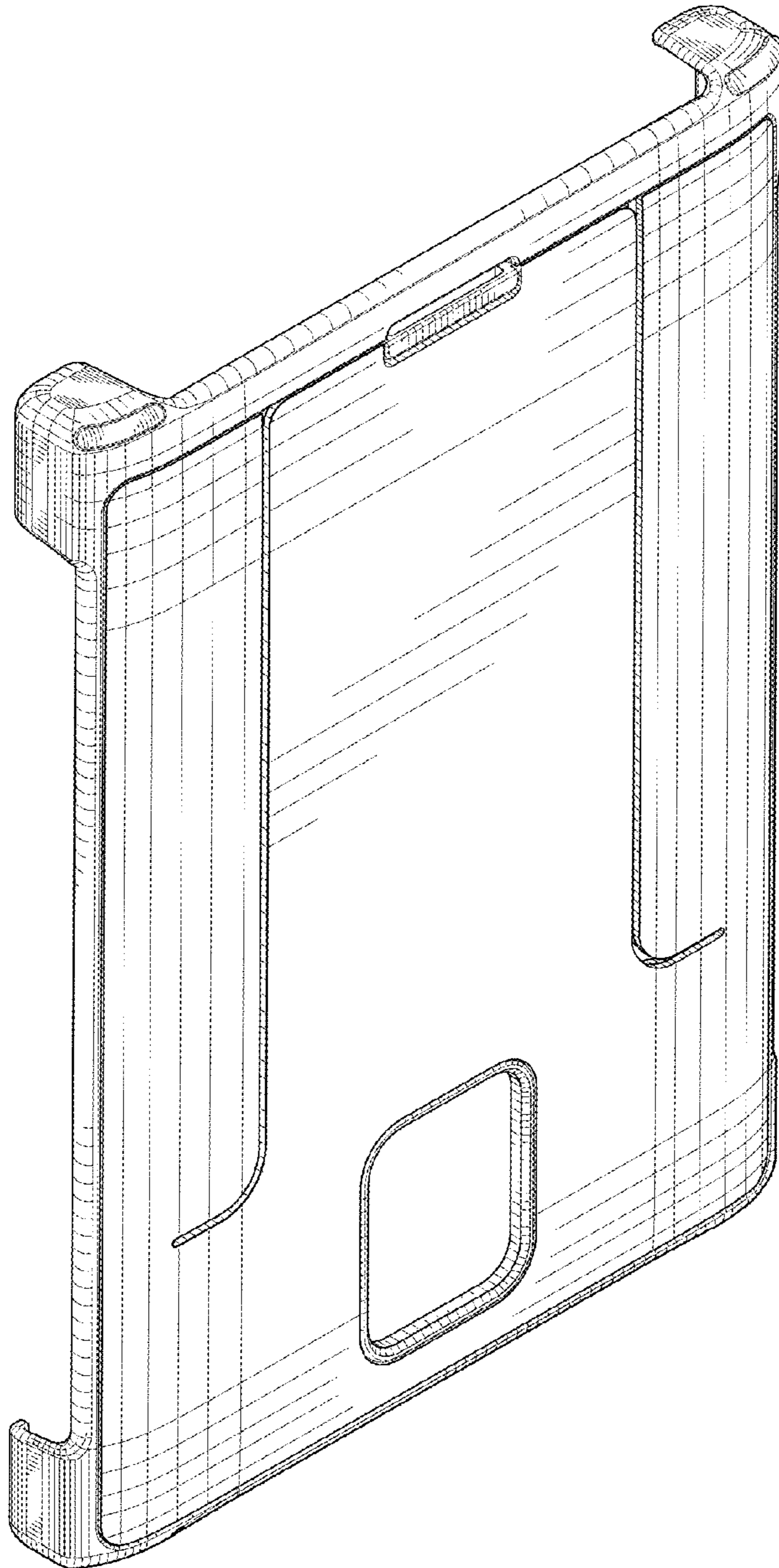


FIG.2

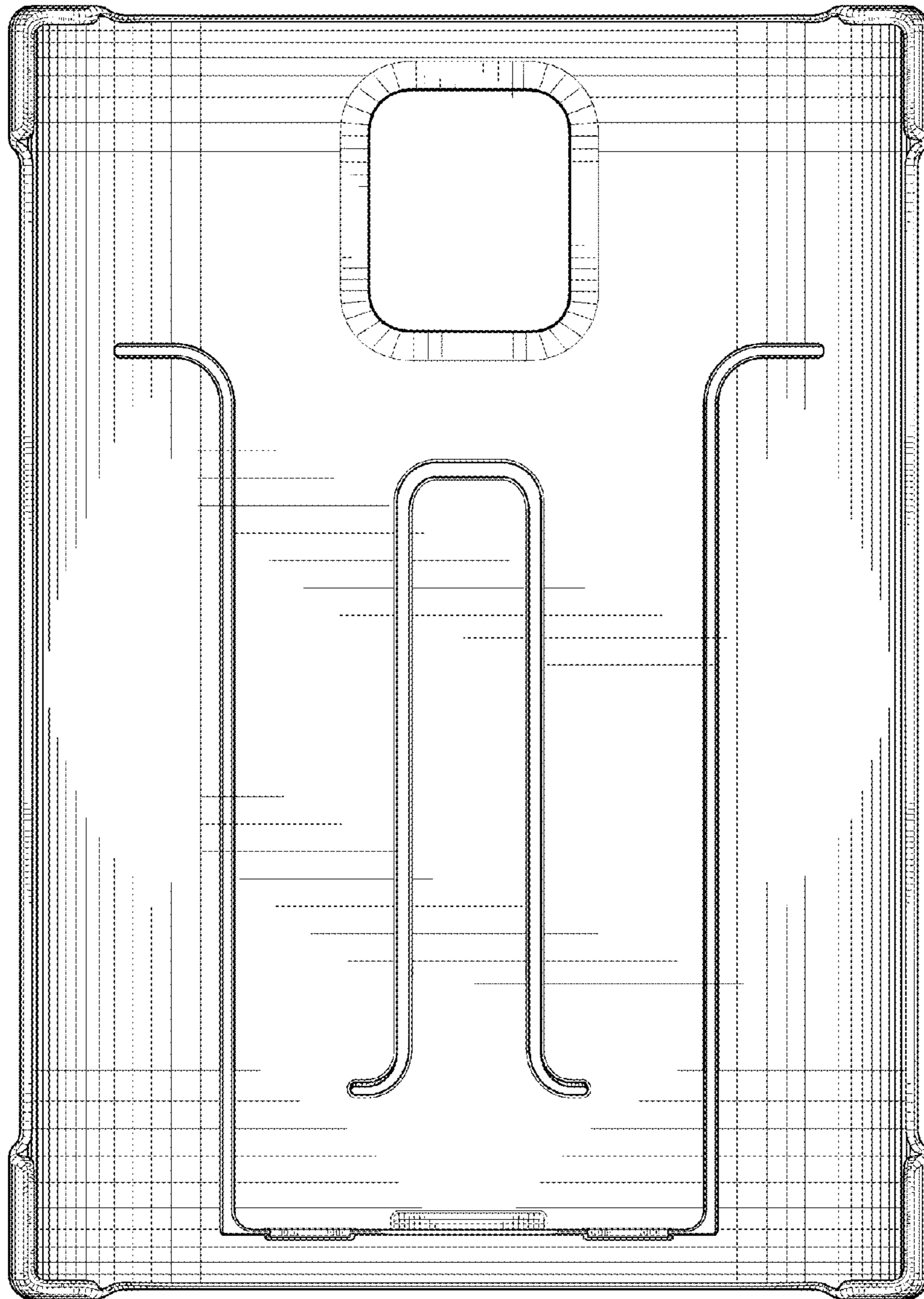


FIG.3

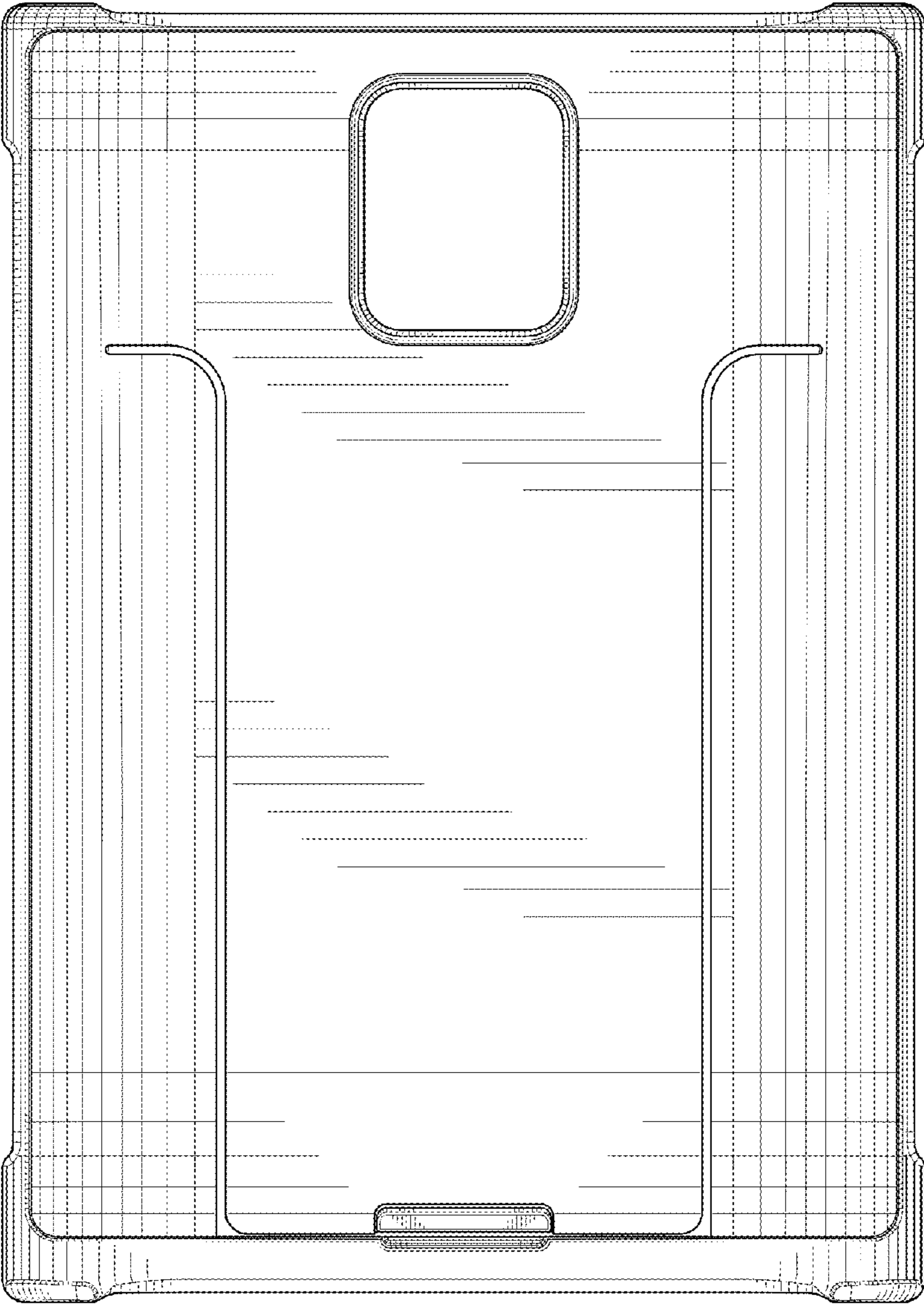


FIG.4

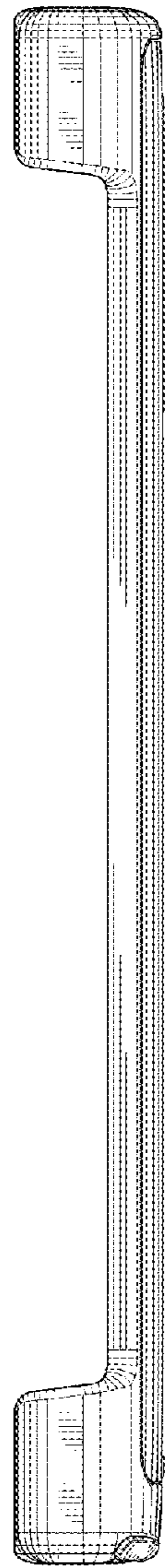


FIG. 5

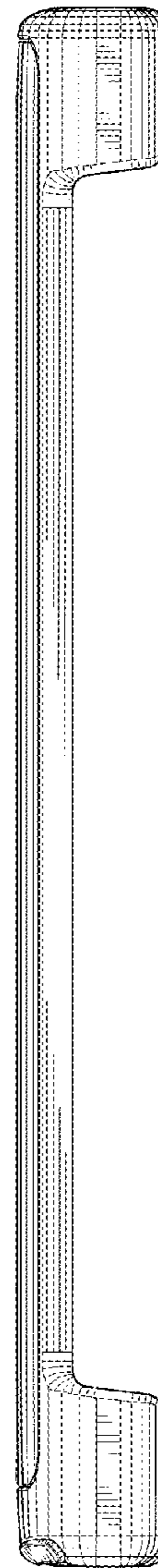


FIG. 6

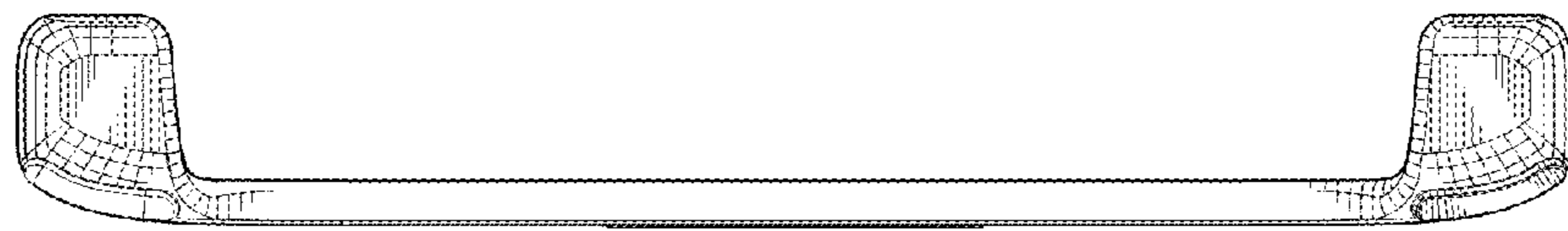


FIG. 7

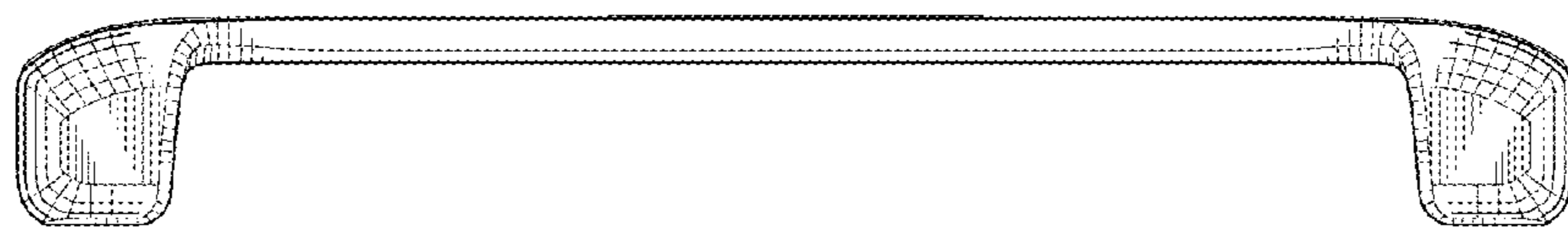


FIG. 8

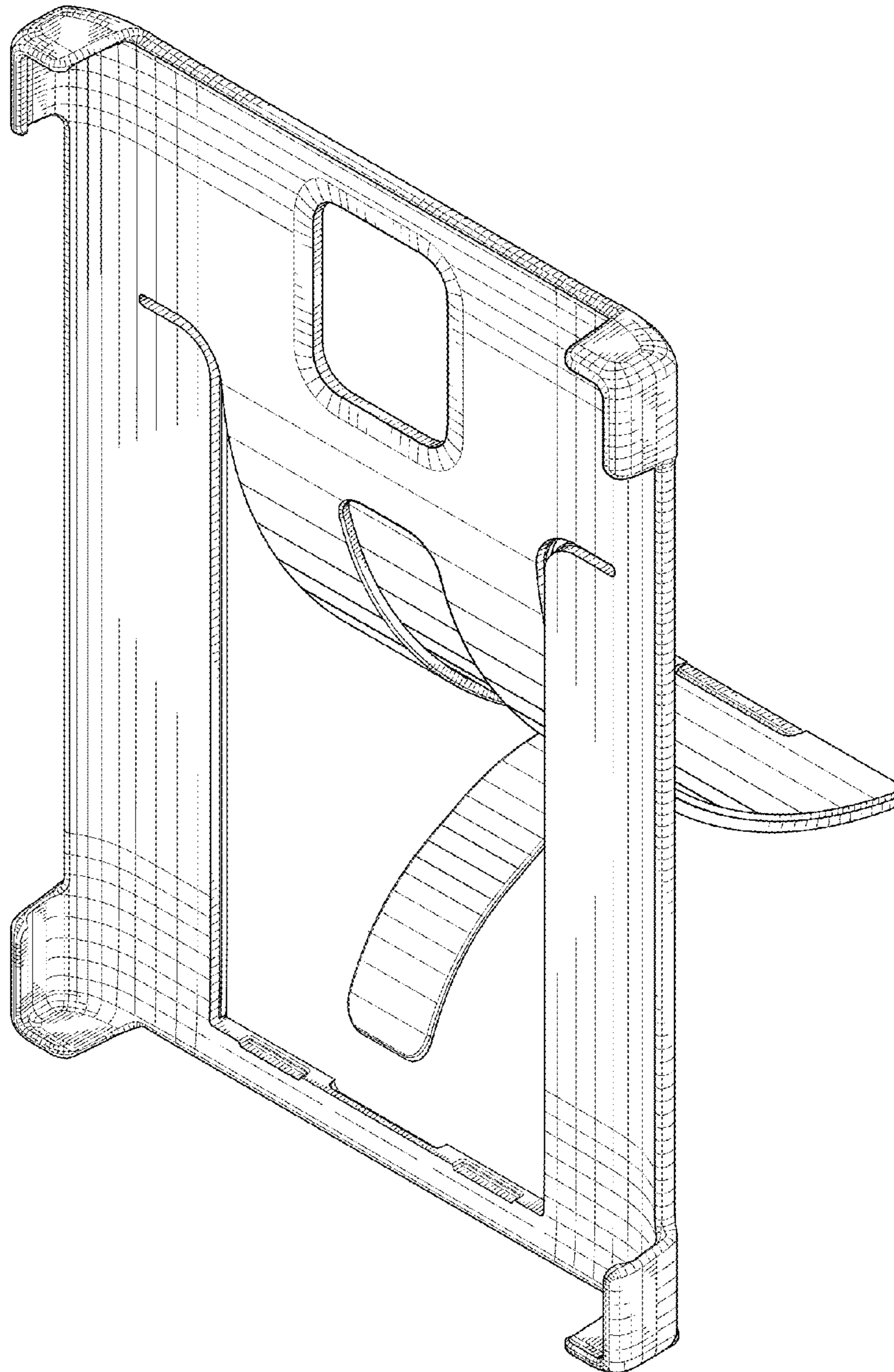


FIG.9

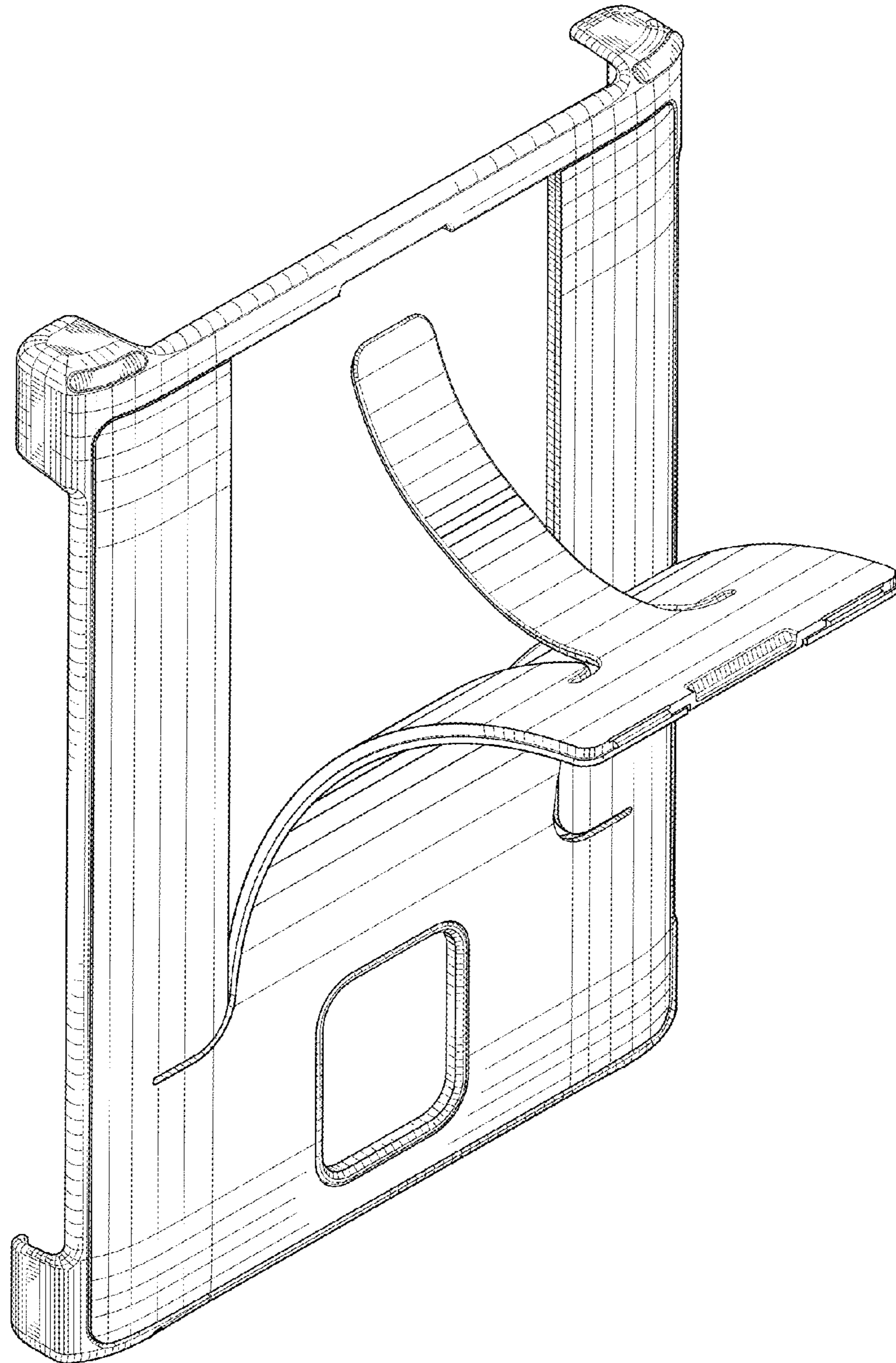


FIG.10

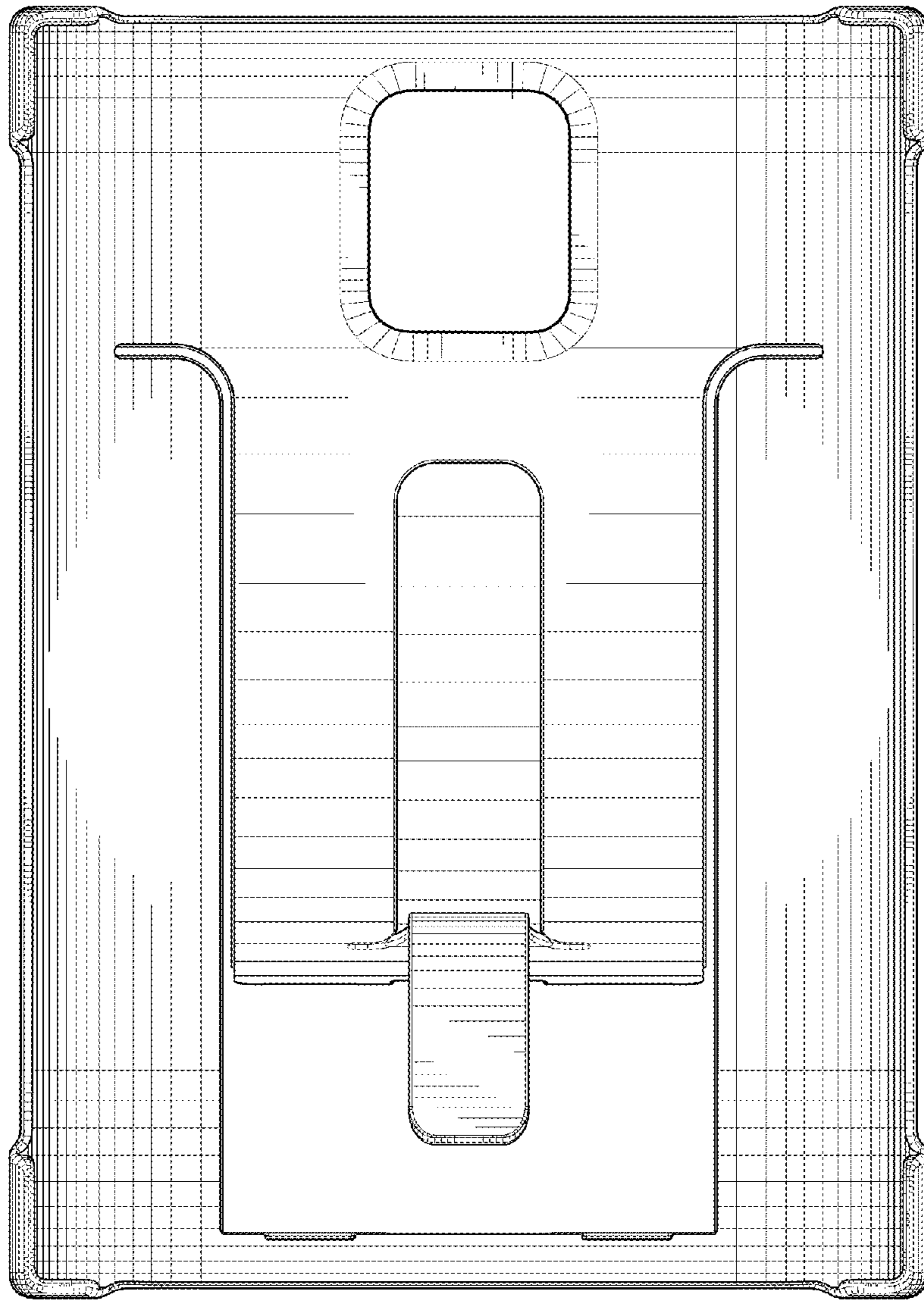


FIG.11

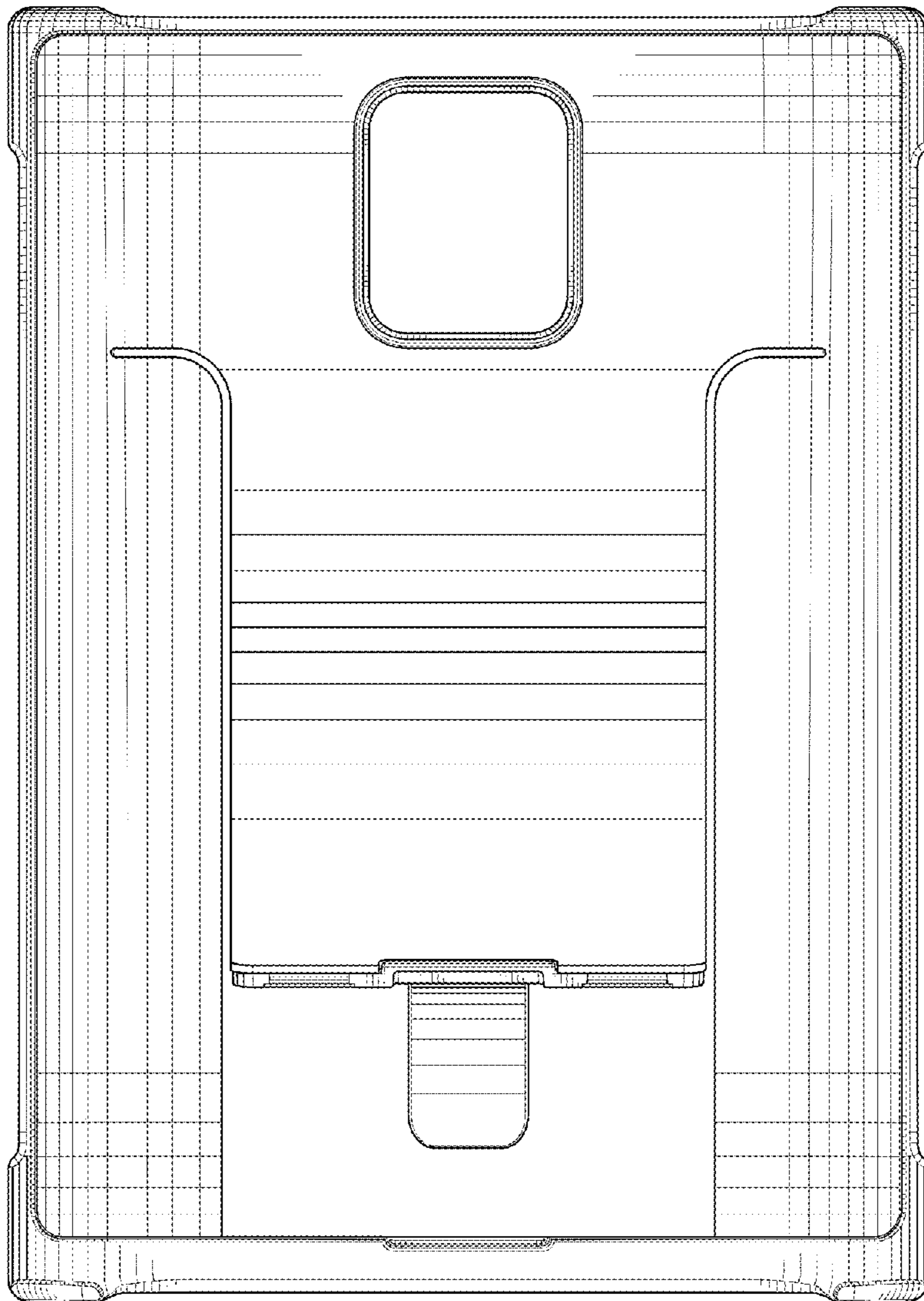


FIG.12

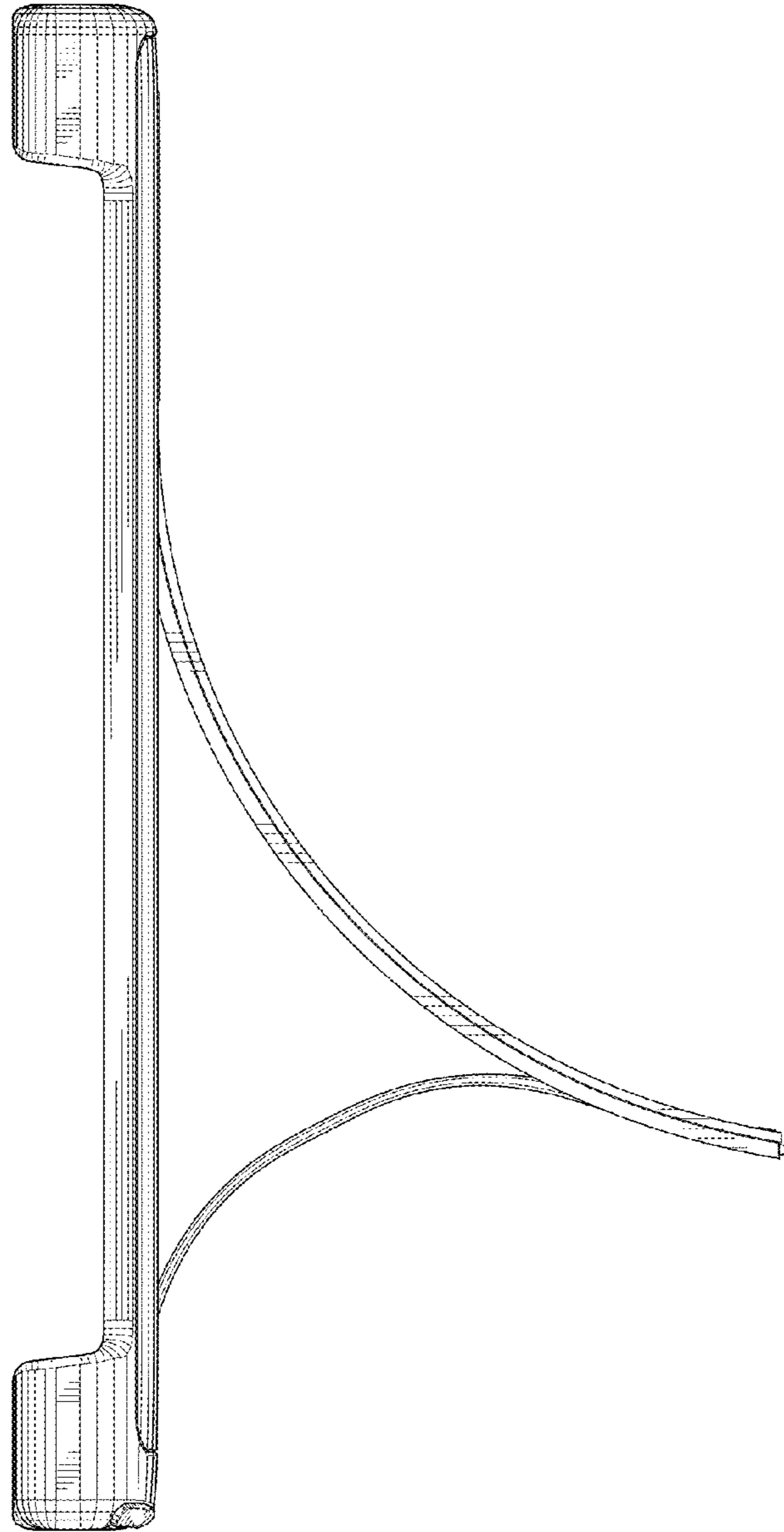


FIG.13

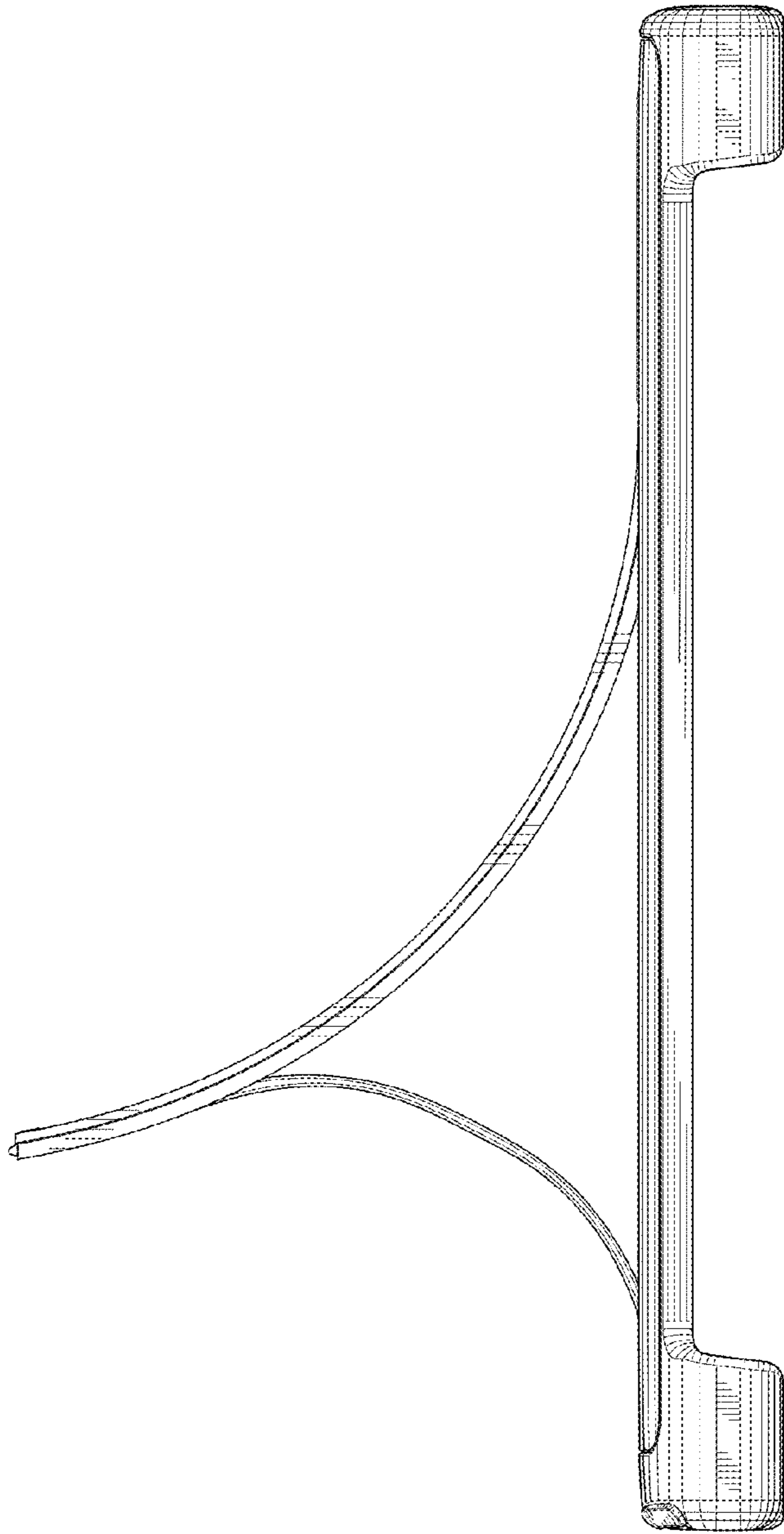


FIG.14

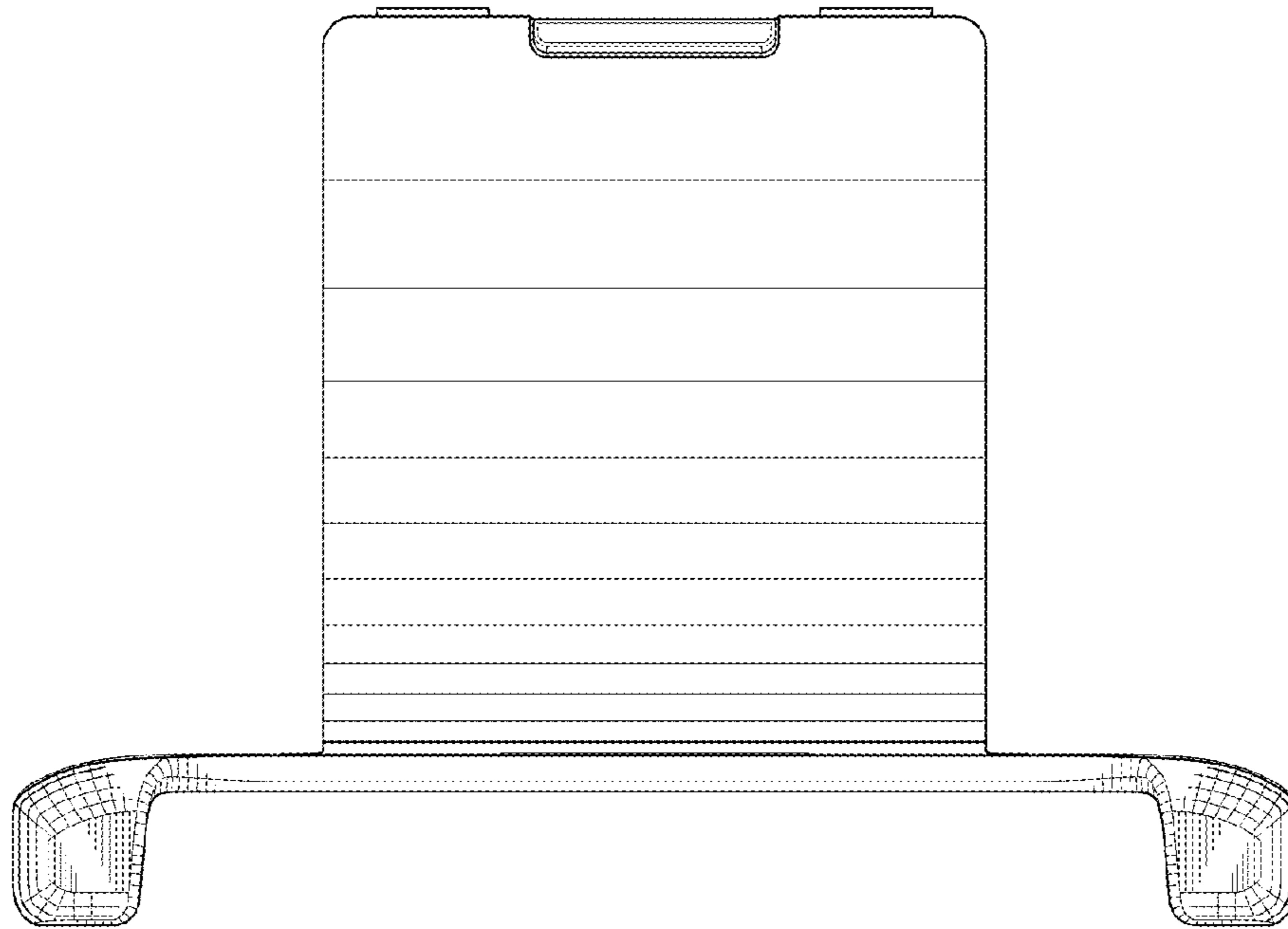


FIG. 15

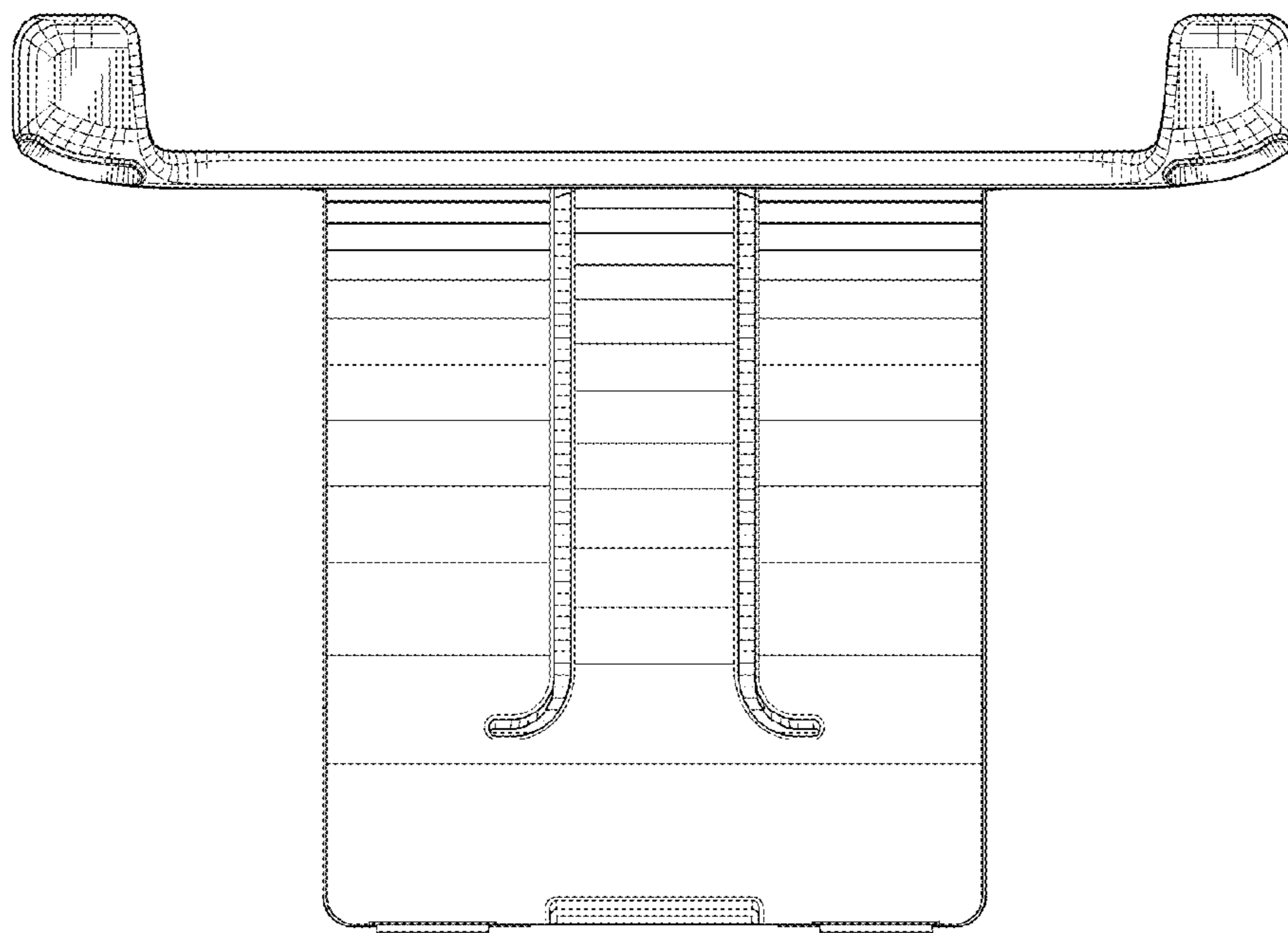


FIG. 16