



US00D749593S

(12) **United States Design Patent**
Kwak

(10) **Patent No.:** **US D749,593 S**

(45) **Date of Patent:** **** Feb. 16, 2016**

(54) **COVER FOR DATA RELAY DEVICE**

(71) Applicant: **Samsung Electronics Co., Ltd.**,
Suwon-si, Gyeonggi-do (KR)

(72) Inventor: **Jihee Kwak**, Seoul (KR)

(73) Assignee: **SAMSUNG ELECTRONICS CO., LTD.** (KR)

(**) Term: **14 Years**

(21) Appl. No.: **29/507,029**

(22) Filed: **Oct. 23, 2014**

(30) **Foreign Application Priority Data**

Jul. 16, 2014 (KR) 30-2014-0034859

(51) **LOC (10) Cl.** **14-02**

(52) **U.S. Cl.**
USPC **D14/440**

(58) **Field of Classification Search**
USPC D3/218, 215, 201, 294, 289, 900;
D14/432, 440, 454, 402, 240;
428/40.1; 200/302.1
CPC ... G06F 1/1601; G06F 1/1626; G06F 1/1633;
G06F 1/1675; G06F 1/1679; G02F 1/1306;
G02F 1/133; G02F 1/133308; G02F 1/153;
G02F 1/1533; G02F 2001/133317; H04M
1/185; H04M 1/0252; H04B 1/3888; A45C
1/06; A45C 3/08

See application file for complete search history.

(56) **References Cited**

U.S. PATENT DOCUMENTS

D665,809 S * 8/2012 Wang D14/248
D674,798 S * 1/2013 Kim D14/440
D690,703 S * 10/2013 Welch D14/440

D696,257 S * 12/2013 Ward D14/440
D704,190 S * 5/2014 Sugino D14/432
D708,621 S * 7/2014 Gifford D14/447
D717,304 S * 11/2014 Yturralde D14/250
D720,353 S * 12/2014 Nakamura D14/432
D721,376 S * 1/2015 Lee D14/440
D726,731 S * 4/2015 Kim D14/440
D731,494 S * 6/2015 Barfoot D14/440
D731,495 S * 6/2015 Hassett D14/440
D736,777 S * 8/2015 Rayner D14/440

* cited by examiner

Primary Examiner — Cynthia Underwood

(74) *Attorney, Agent, or Firm* — Cantor Colburn LLP

(57) **CLAIM**

The ornamental design for a cover for data relay device, as shown and described.

DESCRIPTION

FIG. 1 is a perspective view of a cover for data relay device, showing my new design;
FIG. 2 is a front view thereof;
FIG. 3 is a rear view thereof;
FIG. 4 is a left-side view thereof;
FIG. 5 is a right-side view thereof;
FIG. 6 is a top view thereof;
FIG. 7 is a bottom view thereof;
FIG. 8 is a partial enlarged view thereof taken from the encircled portion of FIG. 6; and,
FIG. 9 is a partial enlarged view thereof taken from the encircled portion of FIG. 7.

The short dash-dash broken lines represent unclaimed portions of the cover for data relay device and form no part of the claimed design.

The dot-dot-dash broken lines encircling portions of the claimed design that are illustrated in enlargements form no part of the claimed design.

1 Claim, 9 Drawing Sheets

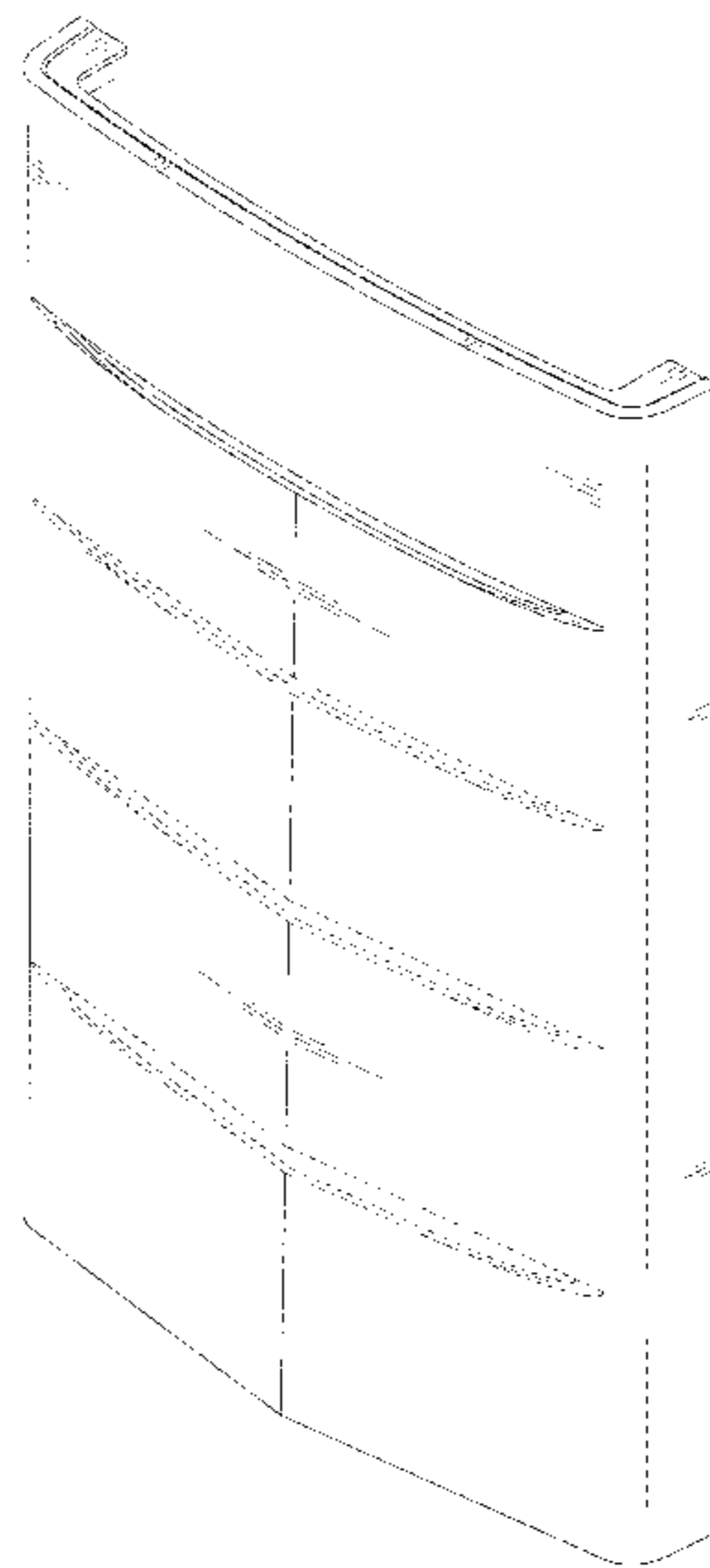


FIG. 1

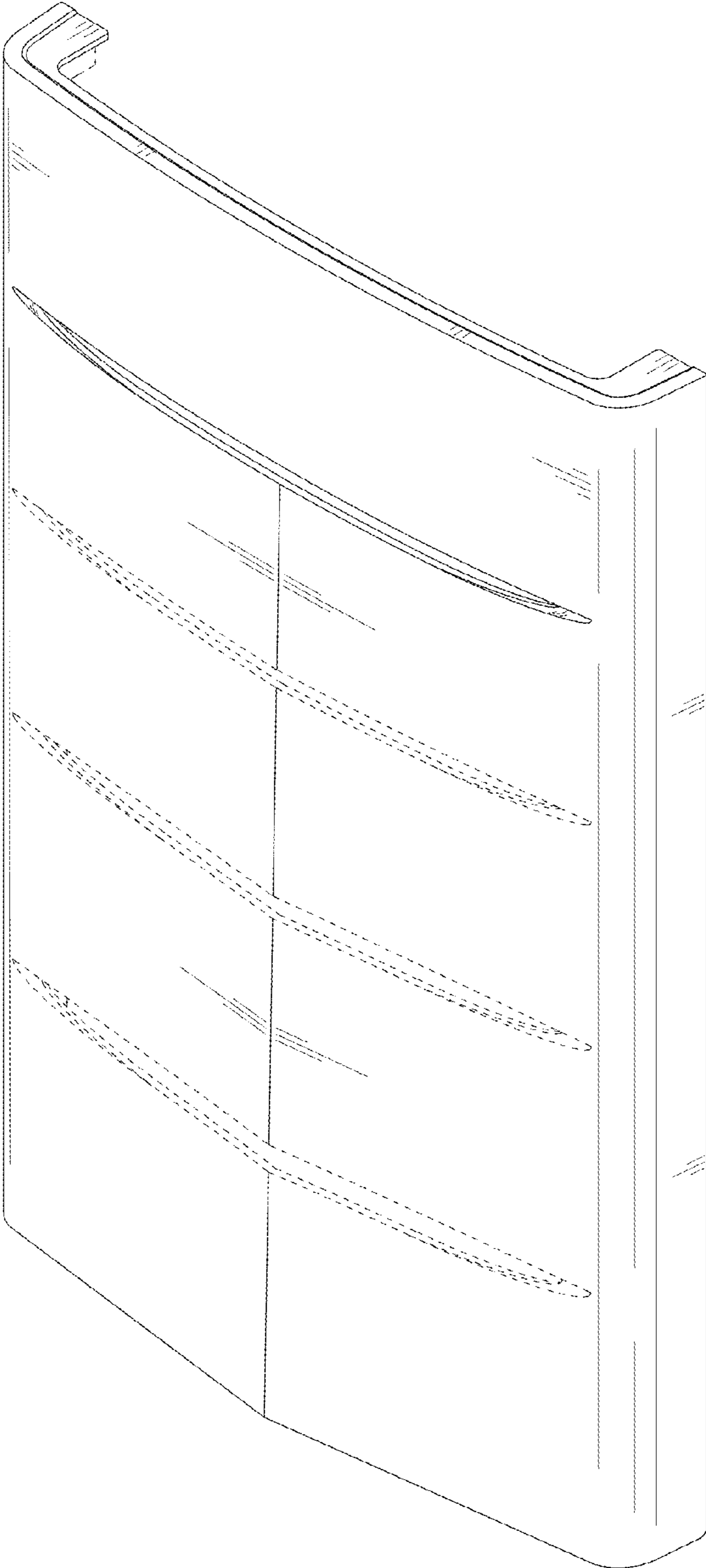


FIG. 2

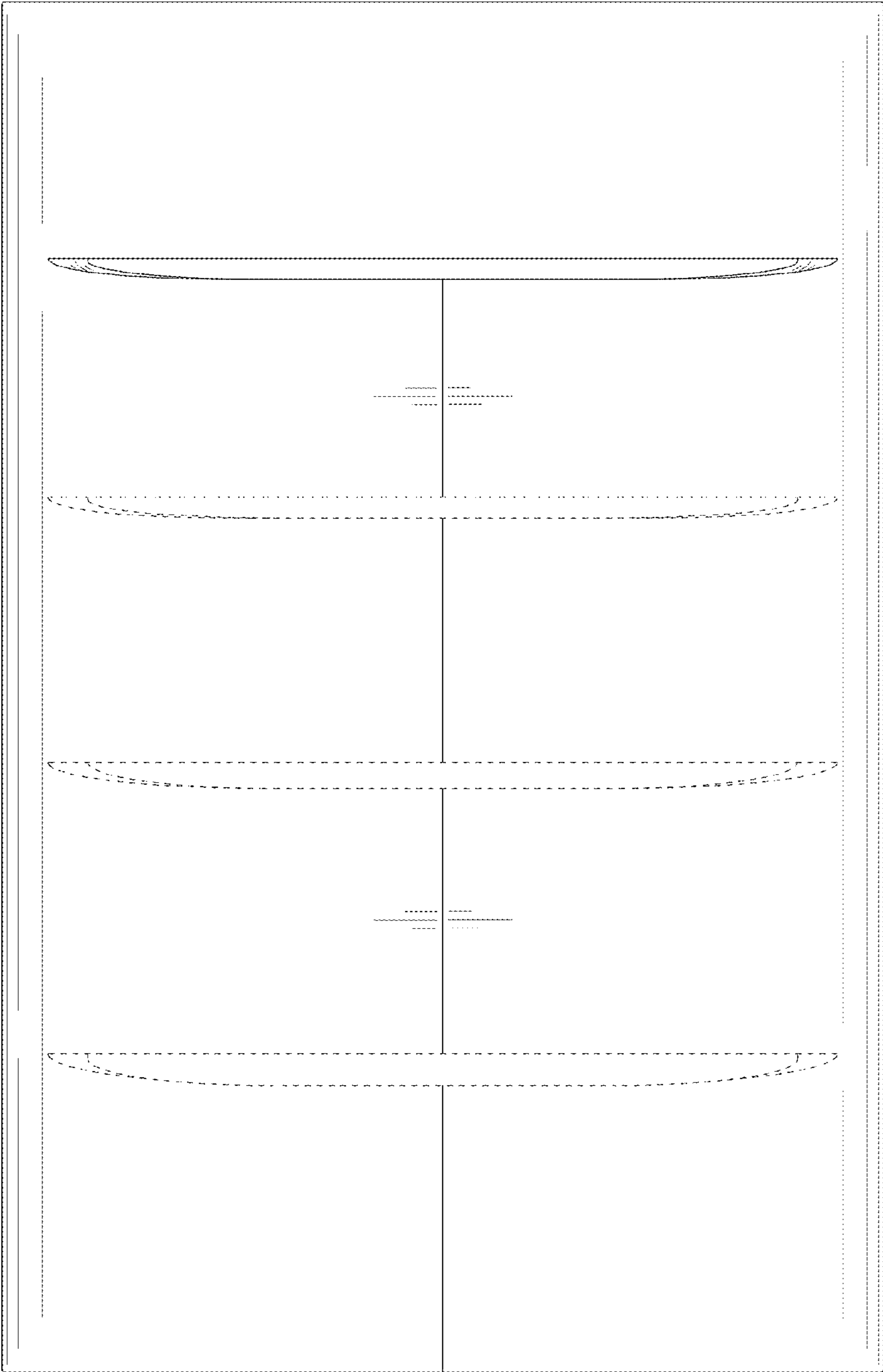


FIG. 3

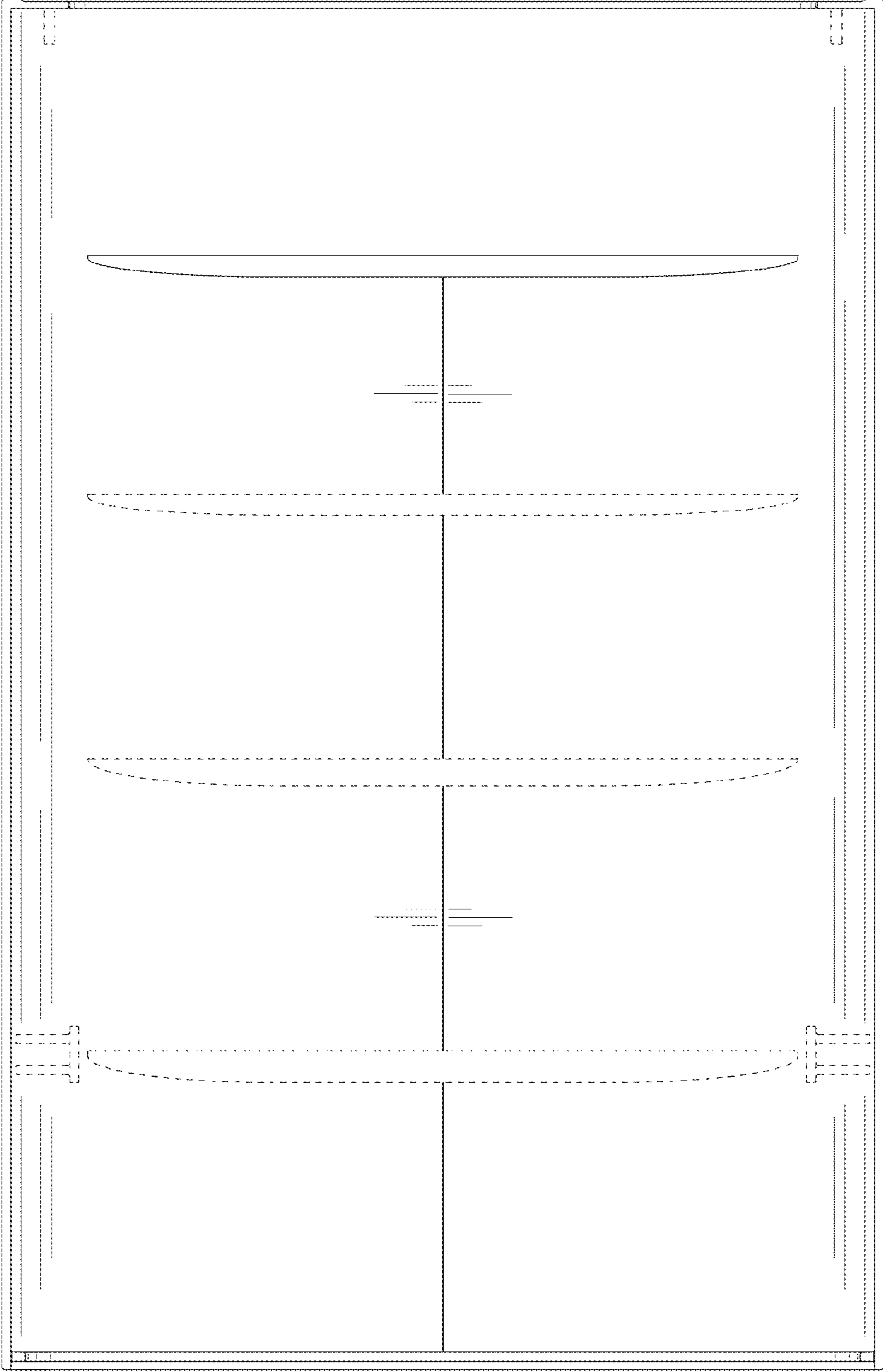


FIG. 4

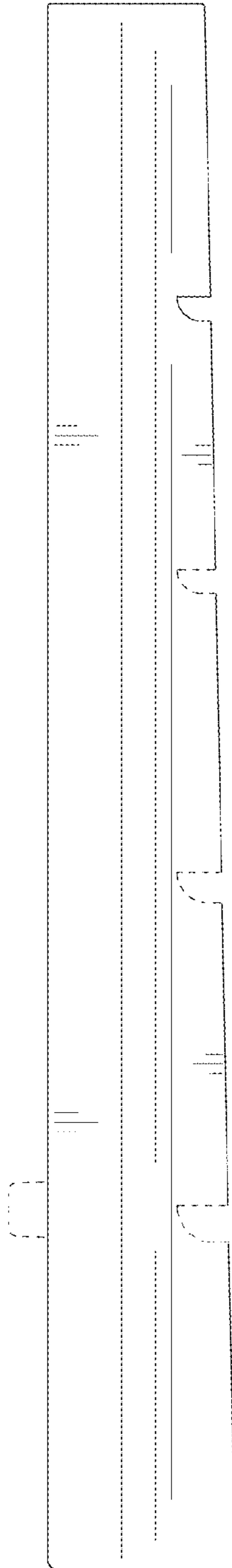


FIG. 5

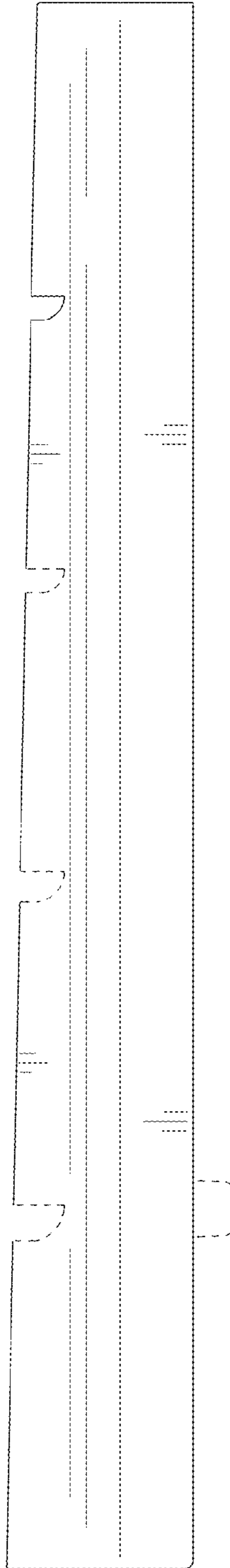


FIG. 6

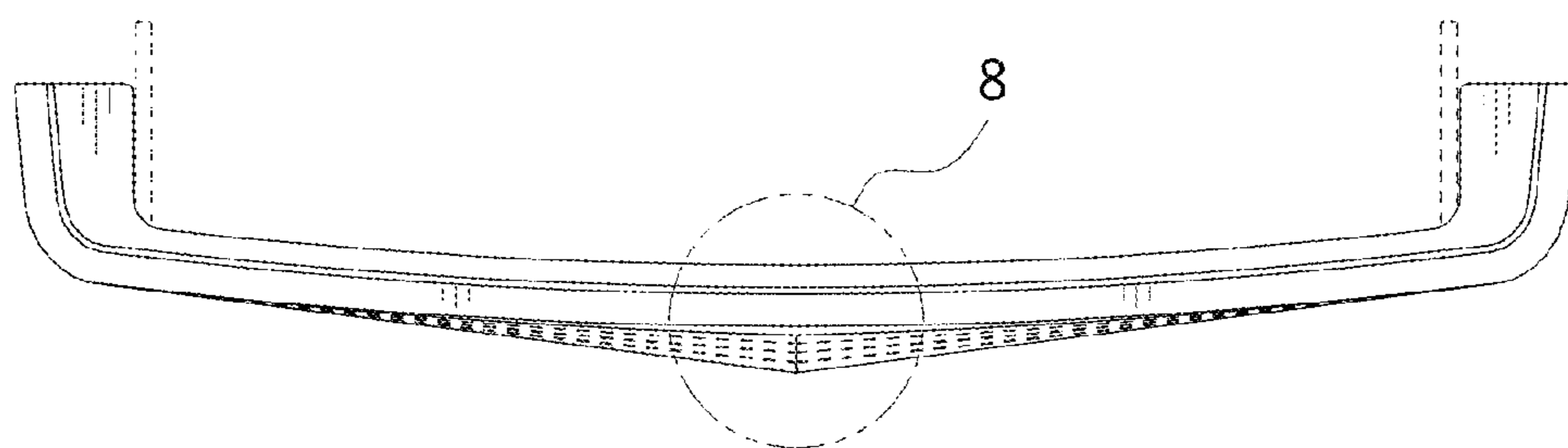


FIG. 7

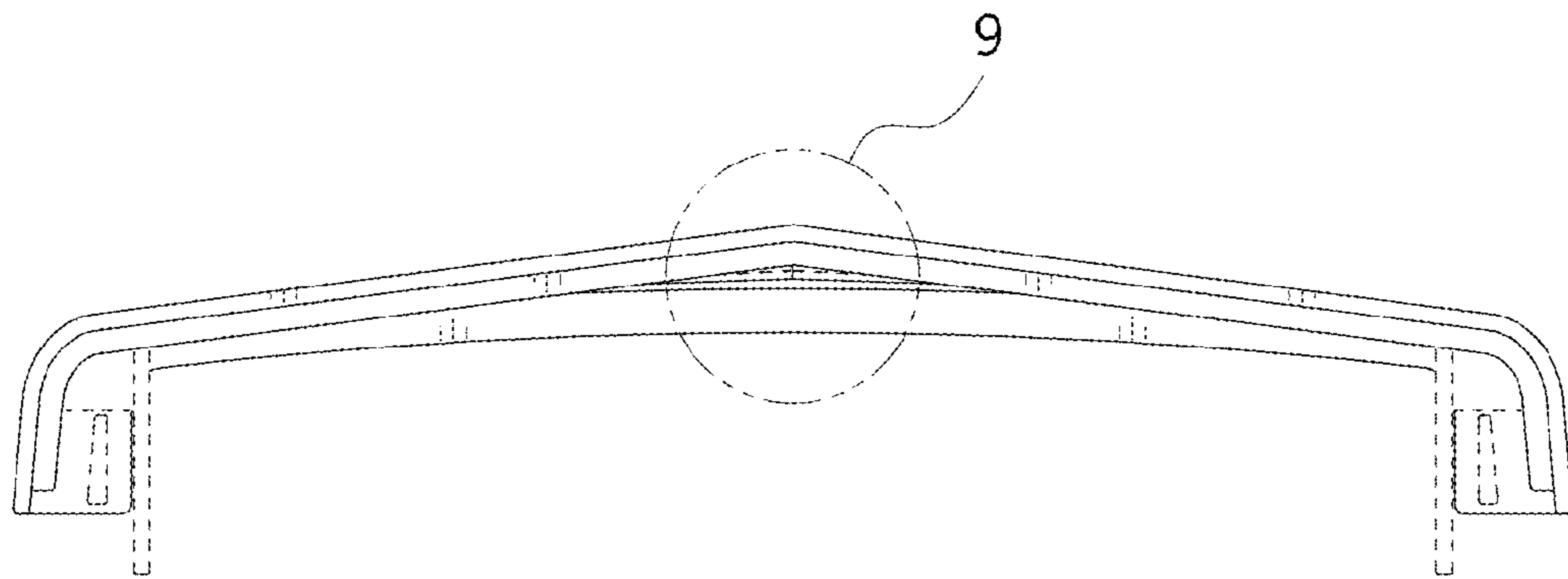


FIG. 8

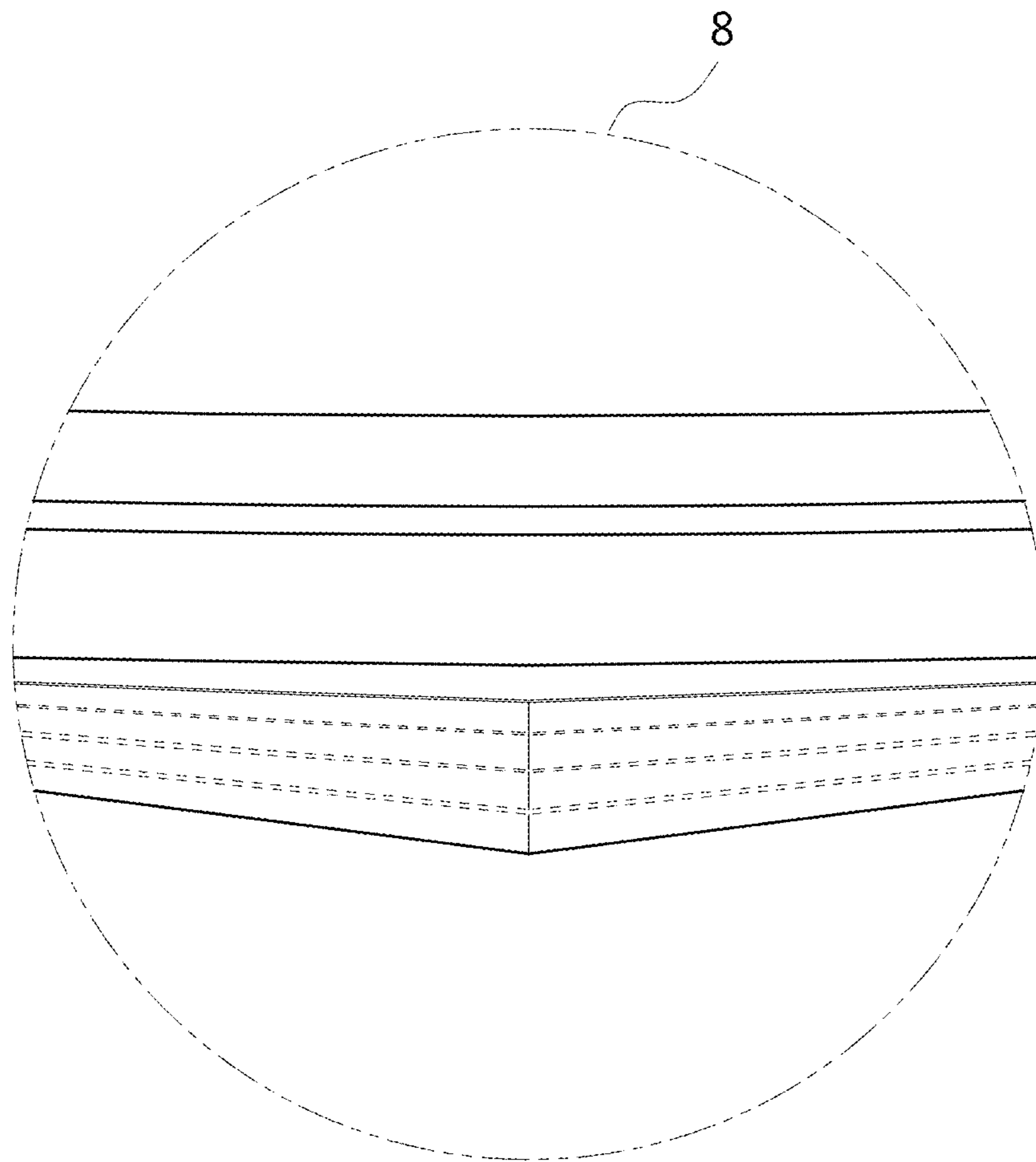


FIG. 9

