



US00D749586S

(12) **United States Design Patent**
Tarling

(10) **Patent No.:** **US D749,586 S**

(45) **Date of Patent:** **** Feb. 16, 2016**

(54) **PORTABLE DATA STORAGE DEVICE**

(71) Applicant: **VISIBLE COMPUTING LIMITED,**
London (GB)

(72) Inventor: **Kieron Tarling,** London (GB)

(73) Assignee: **VISIBLE COMPUTING LIMITED,**
London (GB)

(**) Term: **14 Years**

(21) Appl. No.: **29/512,822**

(22) Filed: **Dec. 23, 2014**

(30) **Foreign Application Priority Data**

Jun. 24, 2014 (EM) 002489351

(51) **LOC (10) Cl.** **14-02**

(52) **U.S. Cl.**
USPC **D14/385**

(58) **Field of Classification Search**
USPC D14/300–302, 314, 348–370, 383–385,
D14/435, 496, 125, 135, 155, 240–242,
D14/299; D13/103, 119, 162, 184, 199;
D10/65, 75, 78; D9/432; D3/273
CPC .. G11B 33/027; G11B 33/122; G11B 33/124;
G11B 33/022; G11B 33/025
See application file for complete search history.

(56) **References Cited**

U.S. PATENT DOCUMENTS

D293,792 S * 1/1988 Watson D14/387
D607,000 S * 12/2009 Cheng D14/385
D632,292 S * 2/2011 Yang D14/385
D643,847 S * 8/2011 Boucard D14/480.7

D647,099 S * 10/2011 Boucard D14/480.7
D656,139 S * 3/2012 Schlosstein D14/480.1
D675,618 S * 2/2013 Behar D14/385
D686,631 S * 7/2013 Iversen D14/480.2
D687,829 S * 8/2013 Miller D14/385
D700,606 S * 3/2014 Lo D14/385
D706,266 S * 6/2014 Rotsaert D14/385
D711,876 S * 8/2014 McWilliam D14/385
D728,568 S * 5/2015 Debaigue D14/385
D729,801 S * 5/2015 Daniel D14/307
D736,208 S * 8/2015 Gustafsson D14/385

* cited by examiner

Primary Examiner — Karen E Kearney

Assistant Examiner — Nathaniel D Buckner

(74) *Attorney, Agent, or Firm* — Saul Ewing LLP

(57) **CLAIM**

The design for a portable data storage device, as shown and described.

DESCRIPTION

FIG. 1 is a perspective view of a portable data storage device; FIG. 2 is a perspective exploded view of a portable data storage device;

FIG. 3 is a top view of a portable data storage device;

FIG. 4 is a front view of a portable data storage device;

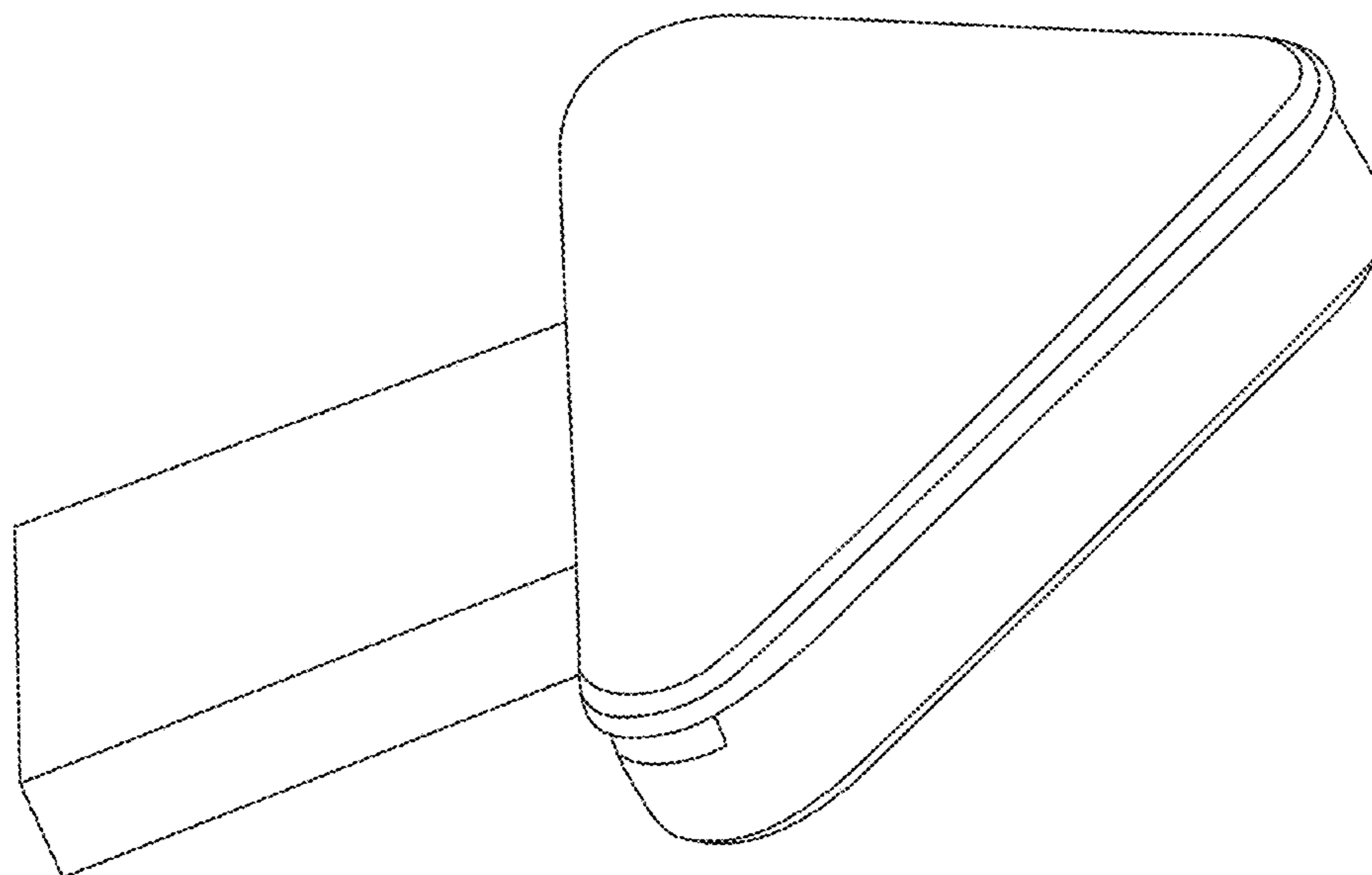
FIG. 5 is a back view of a portable data storage device;

FIG. 6 is a side view of a portable data storage device; and,

FIG. 7 is a perspective view of a portable data storage device in use.

The broken lines showing the credit card in FIG. 7 are included for the purpose of illustrating environmental structure and form no part of the claim. The broken lines showing of the connector in FIG. 7 is for the purpose of illustrating the connector behind the credit card; the connector forms part of the claimed design.

1 Claim, 7 Drawing Sheets



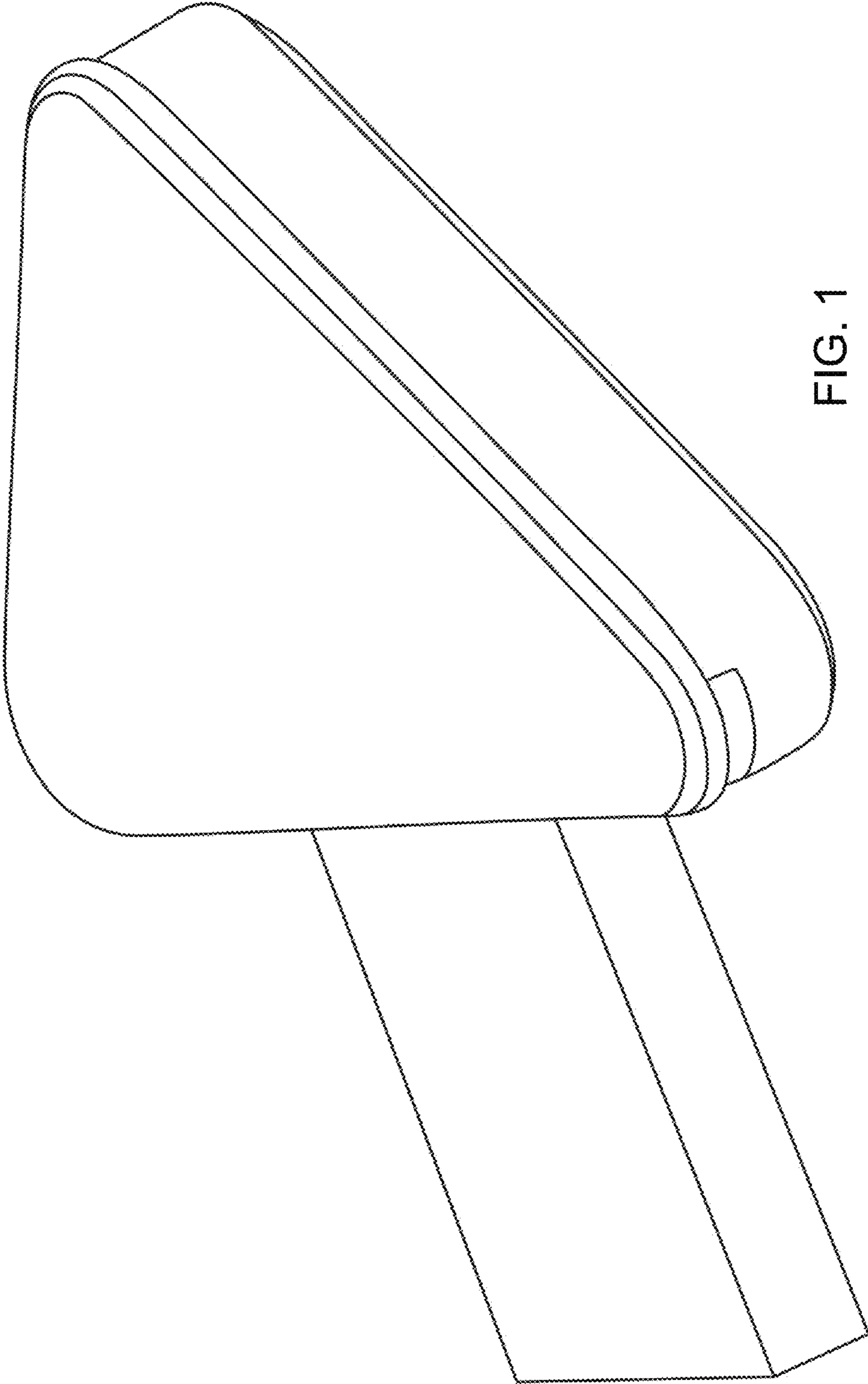


FIG. 1

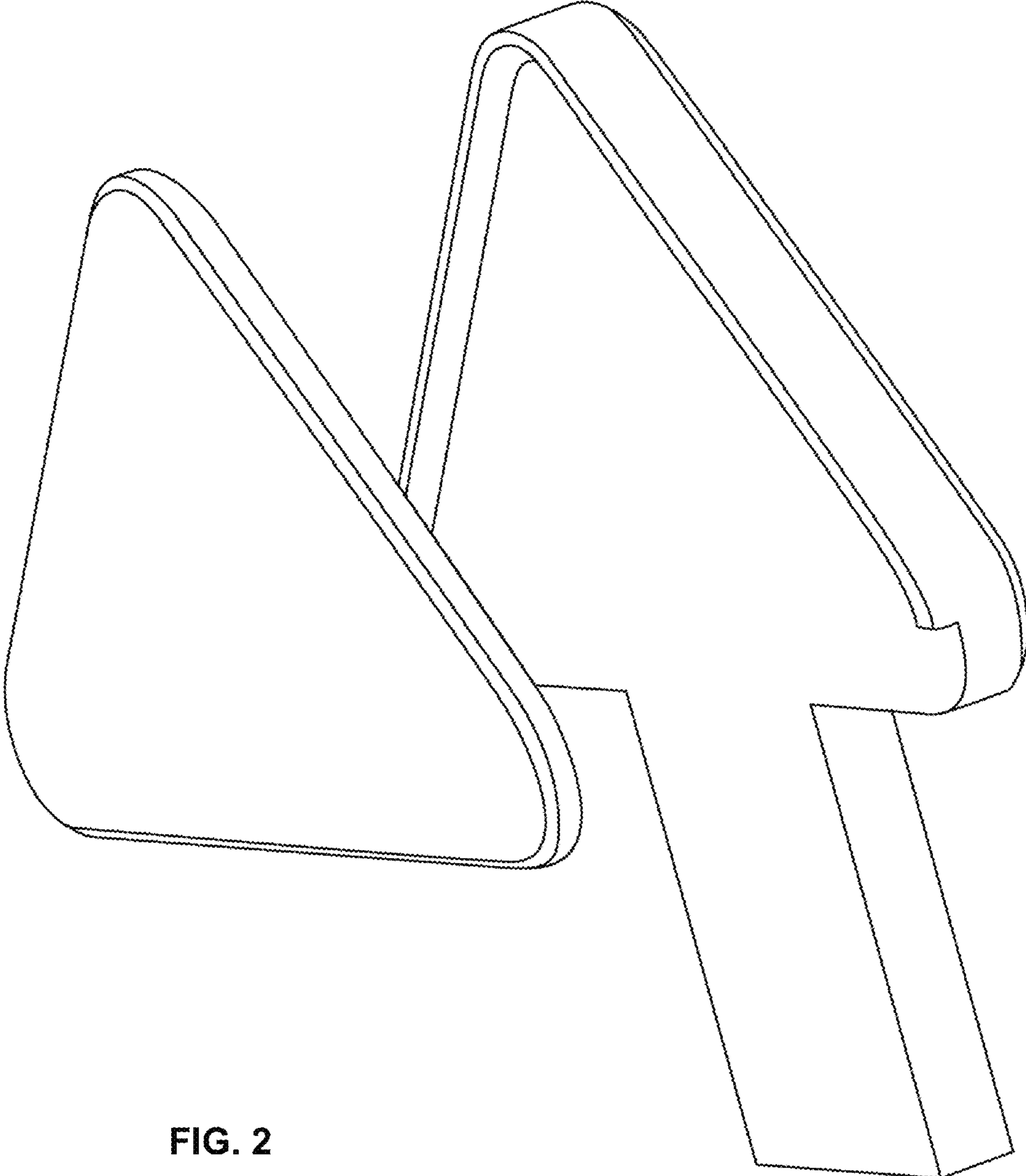


FIG. 2

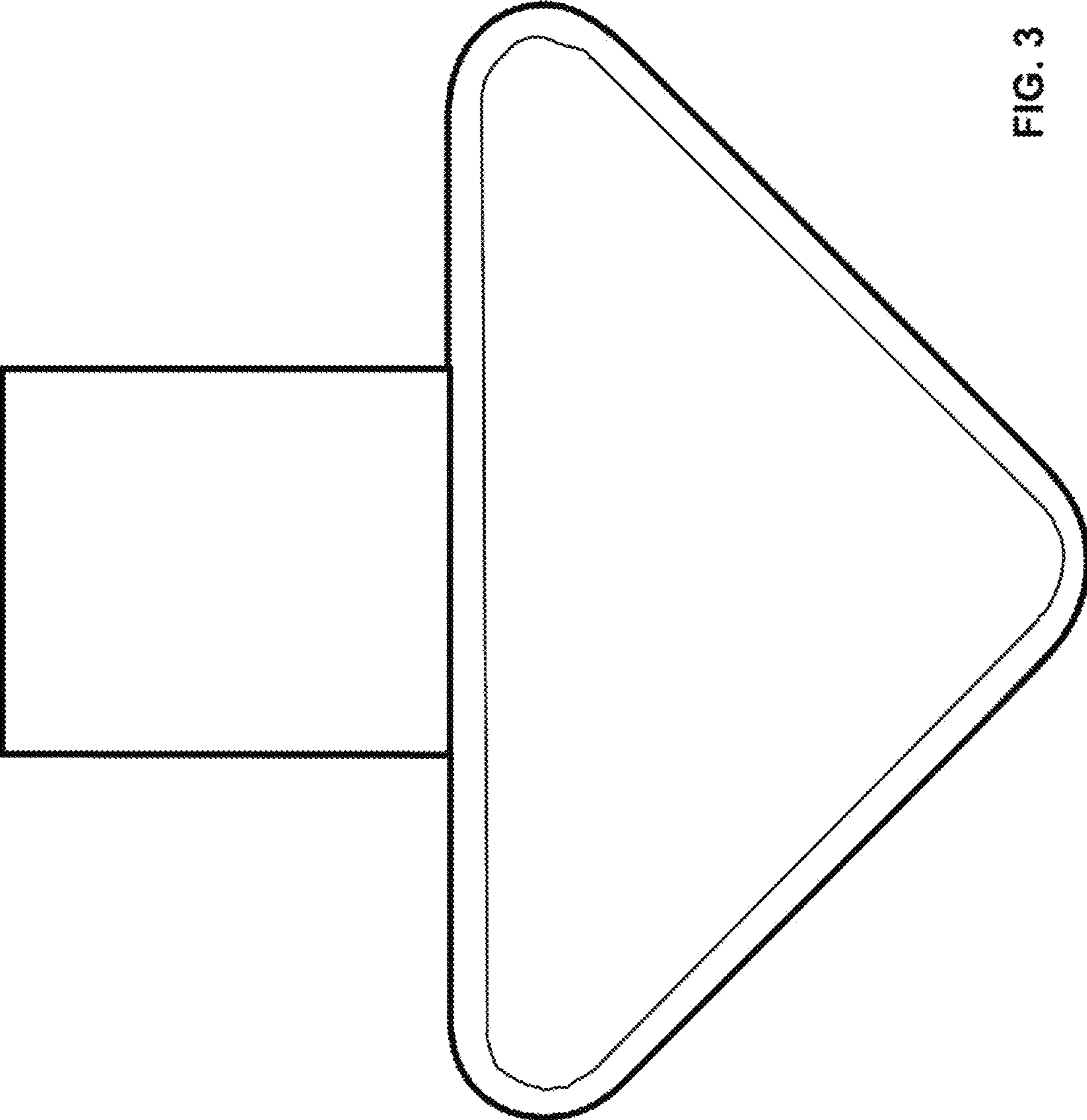


FIG. 3

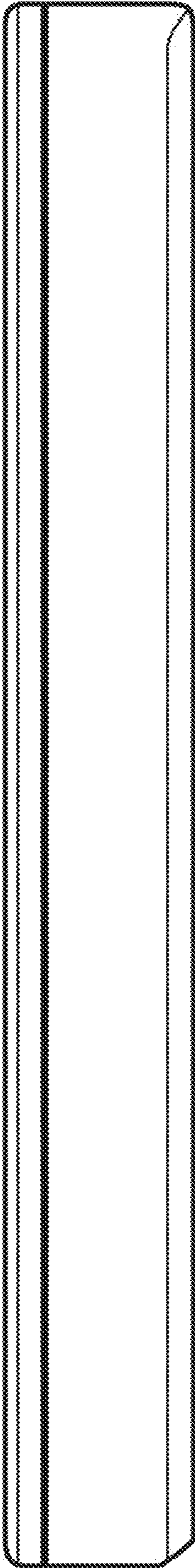


FIG. 4

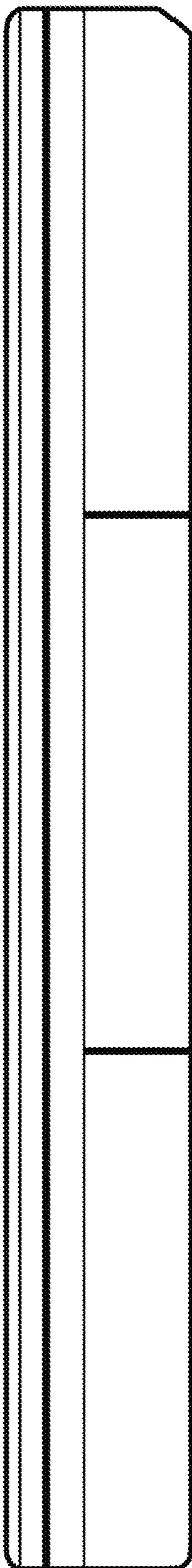


FIG. 5

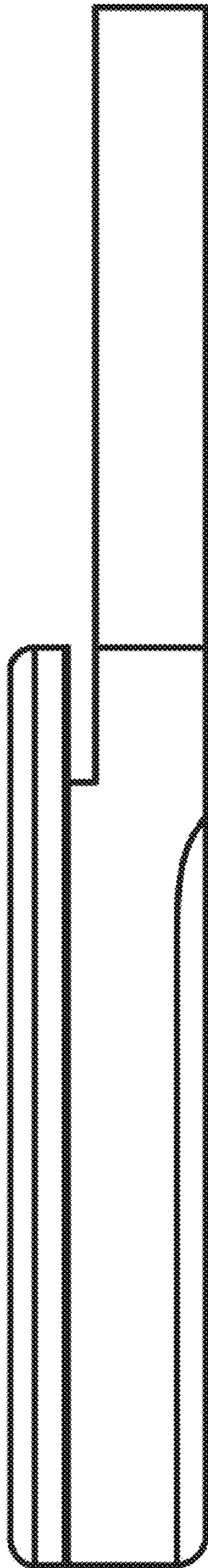


FIG. 6

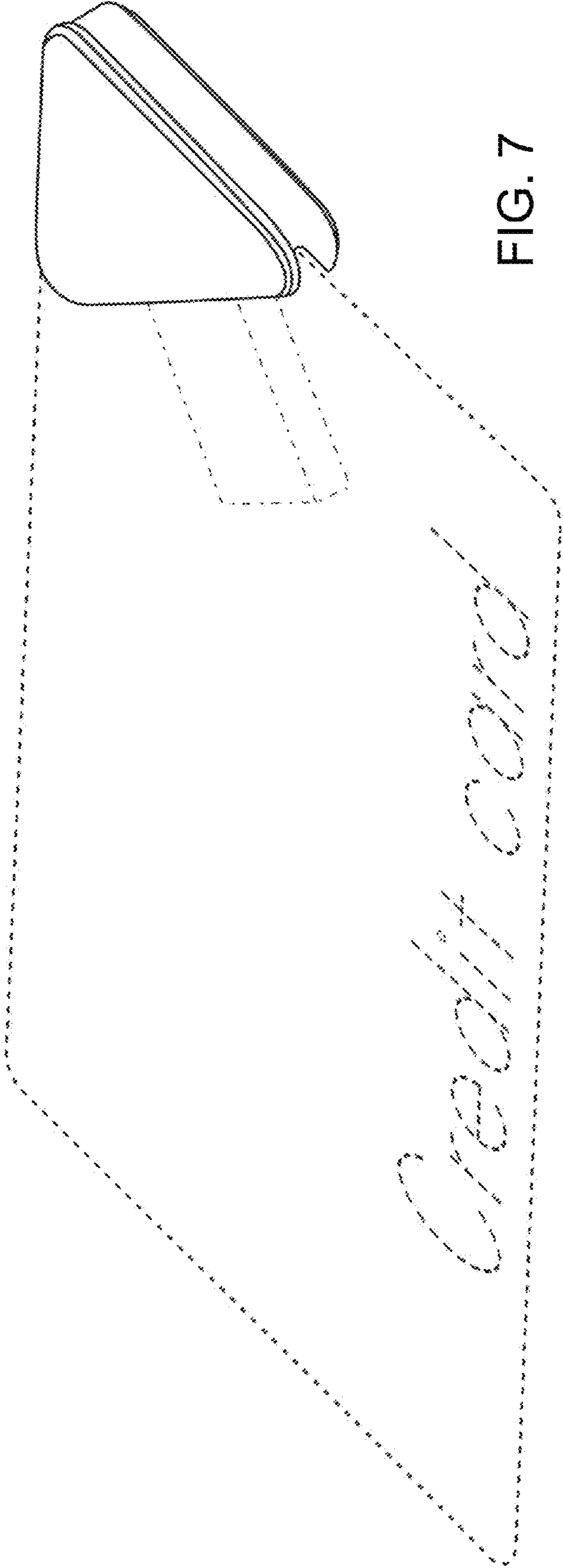


FIG. 7