



US00D749583S

(12) **United States Design Patent**
Luckey et al.

(10) **Patent No.:** **US D749,583 S**

(45) **Date of Patent:** **** Feb. 16, 2016**

- (54) **VIRTUAL REALITY HEADSET**
- (71) Applicant: **Oculus VR, LLC**, Menlo Park, CA (US)
- (72) Inventors: **Palmer Luckey**, Long Beach, CA (US);
Brendan Iribe Trexler, Santa Ana, CA (US);
Graham England, Caldecote (GB);
Jack McCauley, Danville, CA (US)
- (73) Assignee: **Oculus VR, LLC**, Menlo Park, CA (US)
- (**) Term: **15 Years**
- (21) Appl. No.: **29/535,229**
- (22) Filed: **Aug. 5, 2015**

Related U.S. Application Data

- (62) Division of application No. 29/472,807, filed on Nov. 15, 2013, now Pat. No. Des. 738,374.
- (51) **LOC (10) Cl.** **14-02**
- (52) **U.S. Cl.**
USPC **D14/372**
- (58) **Field of Classification Search**
USPC D14/372, 496, 432, 371, 125, 126, 129,
D14/299; D16/300-342; 351/158, 153, 144;
345/7-9, 905; 455/344; 348/115, 53,
348/121, 739
CPC G02B 27/017; G02B 27/0158; G02B
27/0161; G02B 27/0181; G02B 27/0185;
G02B 27/0189
See application file for complete search history.

(56) **References Cited**

U.S. PATENT DOCUMENTS

- D338,514 S 8/1993 Holmes
- D363,482 S 10/1995 Robinson et al.
- D369,595 S 5/1996 Kober et al.

- D374,002 S 9/1996 Bassett et al.
- D375,495 S 11/1996 MacInness et al.
- 5,742,263 A 4/1998 Wang et al.

(Continued)

Primary Examiner — Austin Murphy
(74) *Attorney, Agent, or Firm* — Fenwick & West LLP

(57) **CLAIM**

The ornamental design for a virtual reality headset, as shown and described.

DESCRIPTION

A portion of the disclosure of this patent document contains material which is subject to copyright protection. This patent document may show and/or describe matter which is or may become trade dress of the owner. The copyright and trade dress owner has no objection to the facsimile reproduction by anyone of the patent disclosure as it appears in the Patent and Trademark Office patent files or records, but otherwise reserves all copyright and trade dress rights whatsoever.

FIG. 1 is a top, front and right side perspective view of a first embodiment of a virtual reality headset.

FIG. 2 is a bottom, rear and left side perspective view thereof.

FIG. 3 is a right side elevation view thereof.

FIG. 4 is a top plan view thereof.

FIG. 5 is a bottom plan view thereof.

FIG. 6 is a left side elevation view thereof.

FIG. 7 is a front elevation view thereof.

FIG. 8 is a rear elevation view thereof.

FIG. 9 is a top, front and right side perspective view of a second embodiment of a virtual reality headset.

FIG. 10 is a bottom, rear and left side perspective view thereof.

FIG. 11 is a right side elevation view thereof.

FIG. 12 is a top plan view thereof.

FIG. 13 is a bottom plan view thereof.

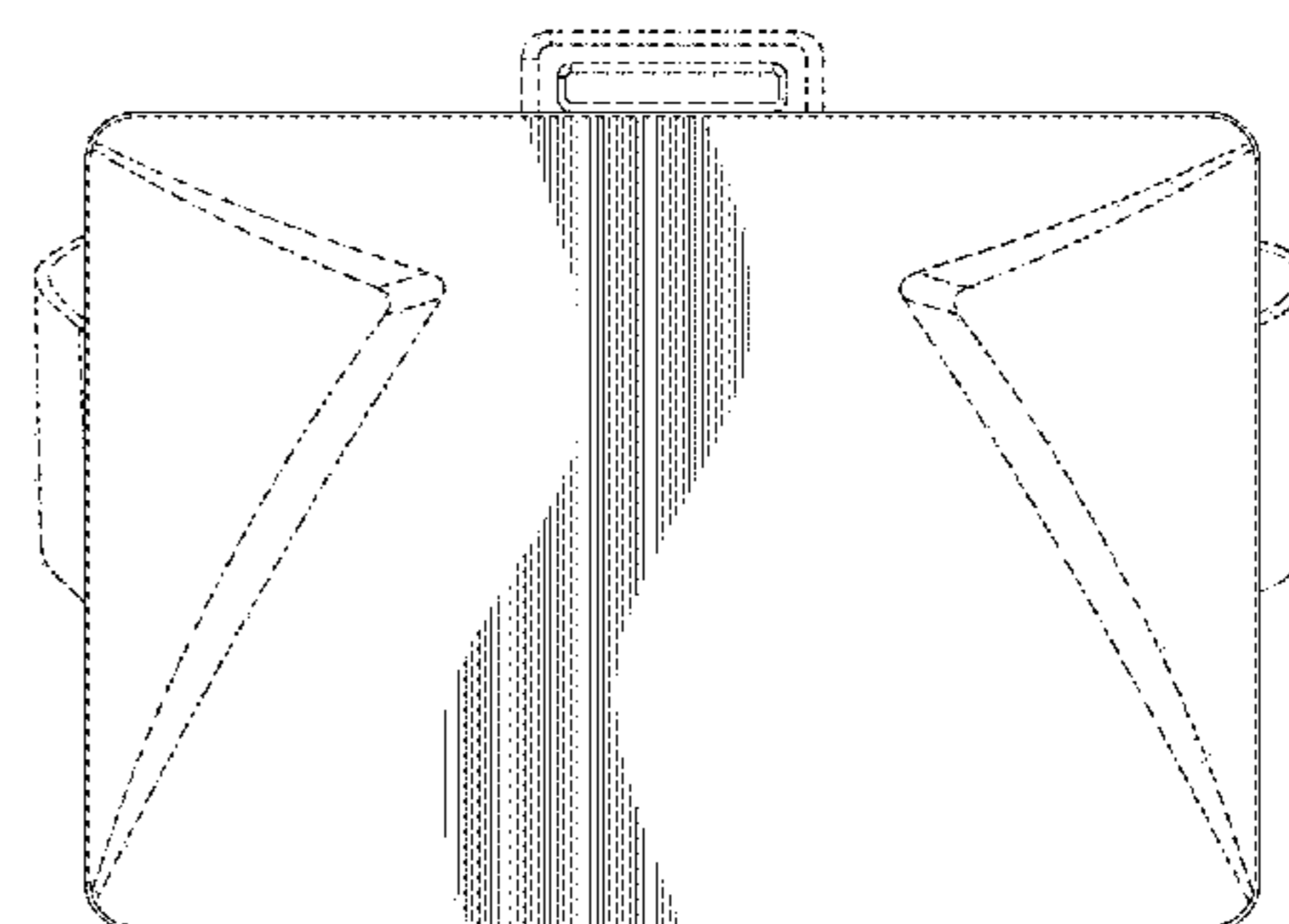
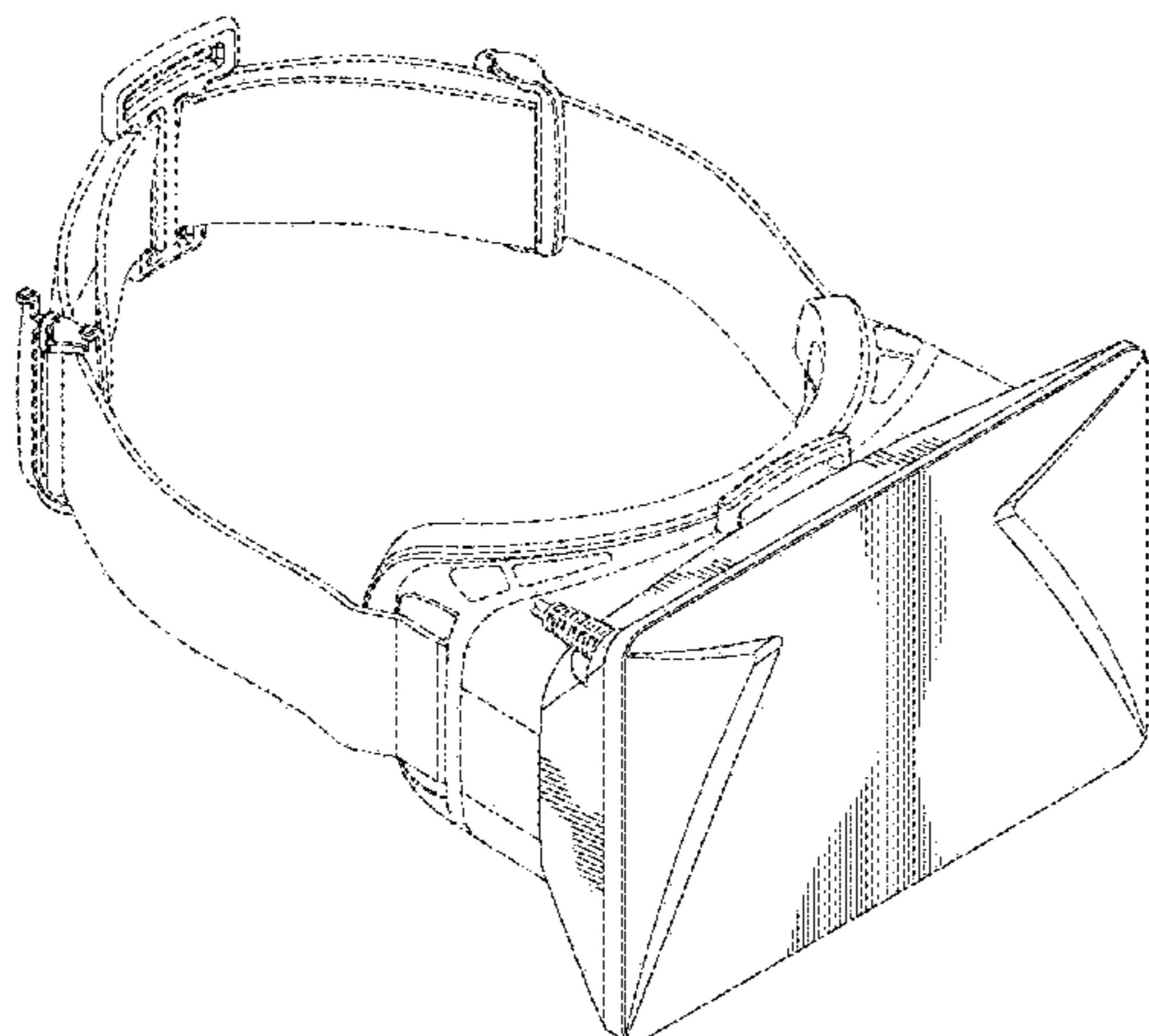
FIG. 14 is a left side elevation view thereof.

FIG. 15 is a front elevation view thereof; and,

FIG. 16 is a rear elevation view thereof.

The broken lines shown in the drawings are for illustrative purposes only and form no part of the claimed design.

1 Claim, 14 Drawing Sheets



(56)

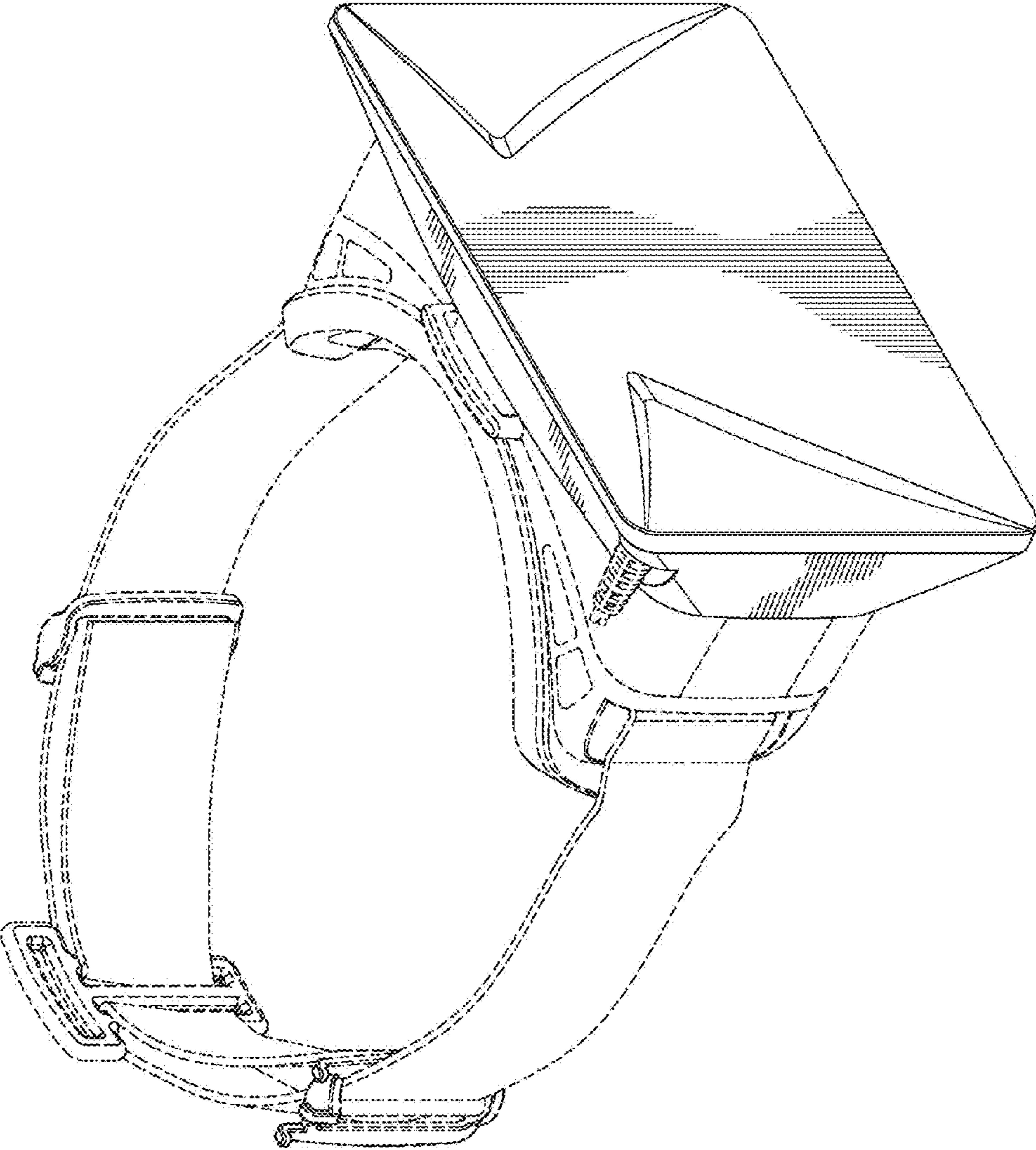
References Cited

U.S. PATENT DOCUMENTS

D427,982 S	7/2000	Ishii	
D440,967 S *	4/2001	Jung	D14/372
D444,155 S	6/2001	Morooka et al.	
7,124,425 B1	10/2006	Anderson et al.	
7,729,515 B2	6/2010	Mandella et al.	
7,826,641 B2	11/2010	Mandella et al.	
7,961,909 B2	6/2011	Mandella et al.	
D645,862 S	9/2011	Paul	
D687,434 S *	8/2013	Serota	D14/372
8,542,219 B2	9/2013	Carl et al.	
8,553,935 B2	10/2013	Mandella et al.	
D701,206 S *	3/2014	Luckey	D14/372
D704,704 S	5/2014	Tatara et al.	
D704,706 S *	5/2014	Serota	D14/372
D709,880 S *	7/2014	Kim	D14/372
D719,953 S *	12/2014	Nokuo	D14/372
D722,054 S *	2/2015	Serota	D14/372
D727,318 S *	4/2015	Garcia Marin	D14/372
D732,028 S *	6/2015	Kim	D14/372
2012/0038549 A1	2/2012	Mandella et al.	
2013/0194418 A1	8/2013	Gonzalez-Banos et al.	
2013/0237146 A1	9/2013	Serota	

* cited by examiner

FIG. 1



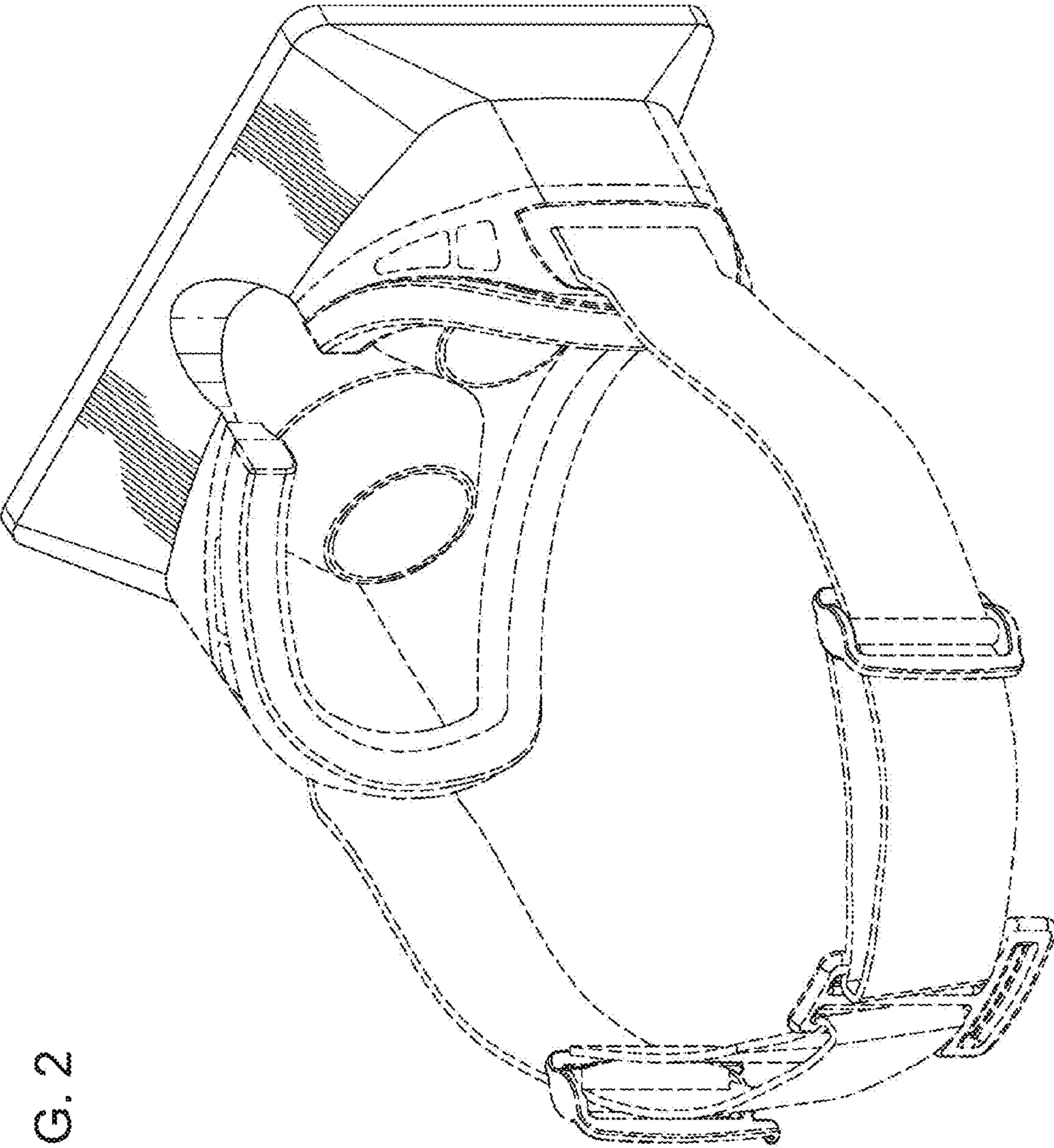


FIG. 2

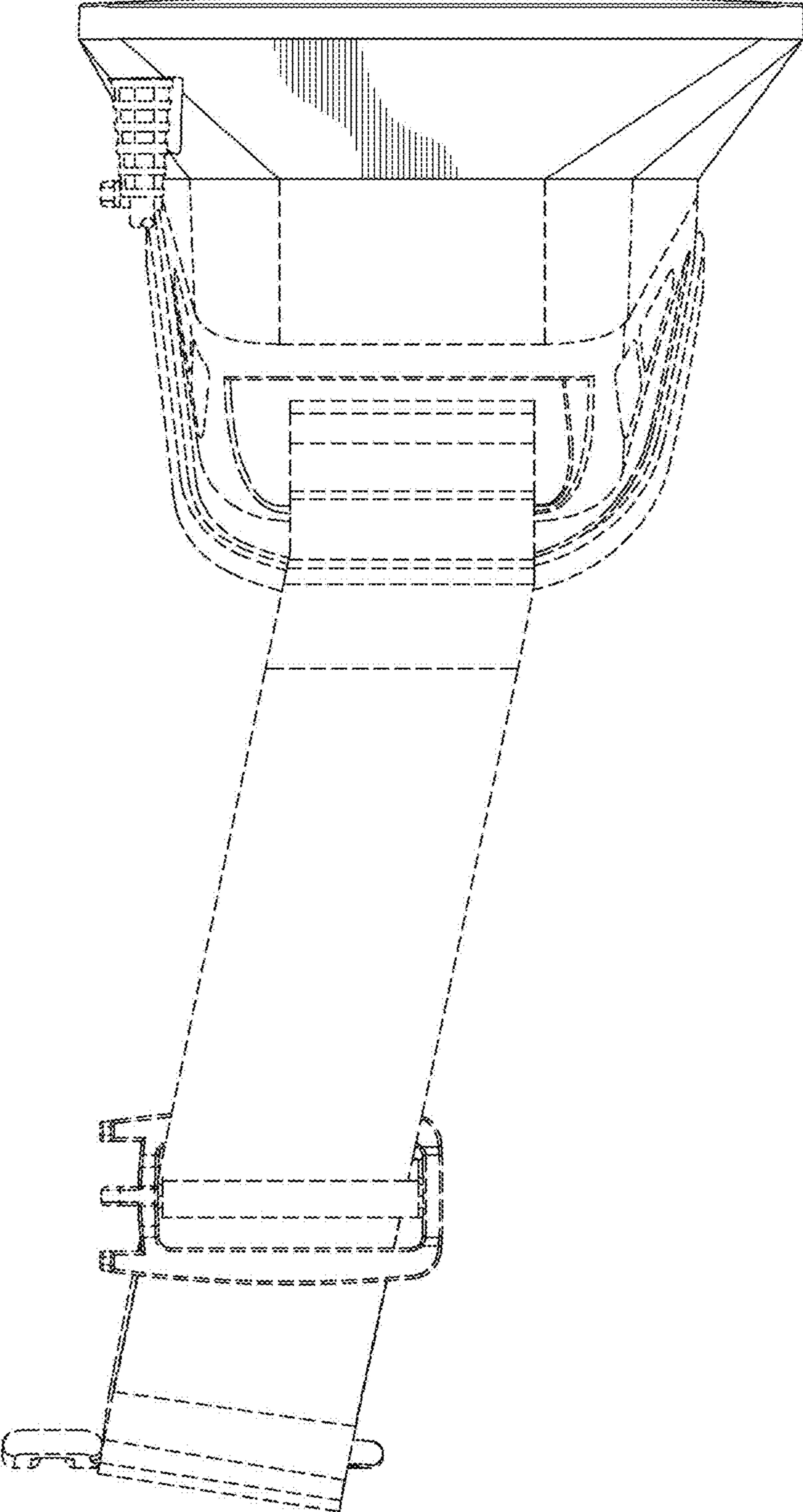


FIG. 3

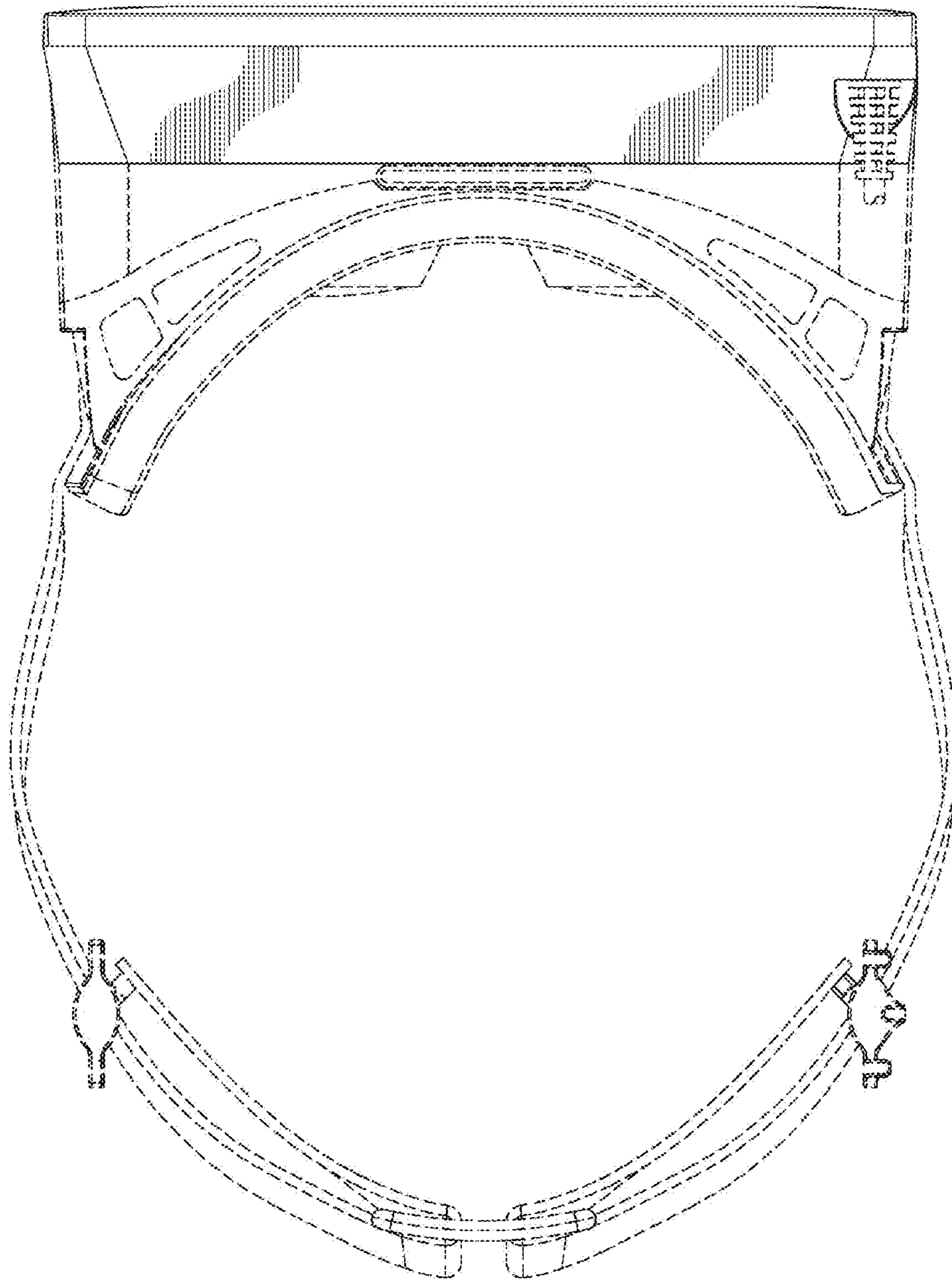


FIG. 4

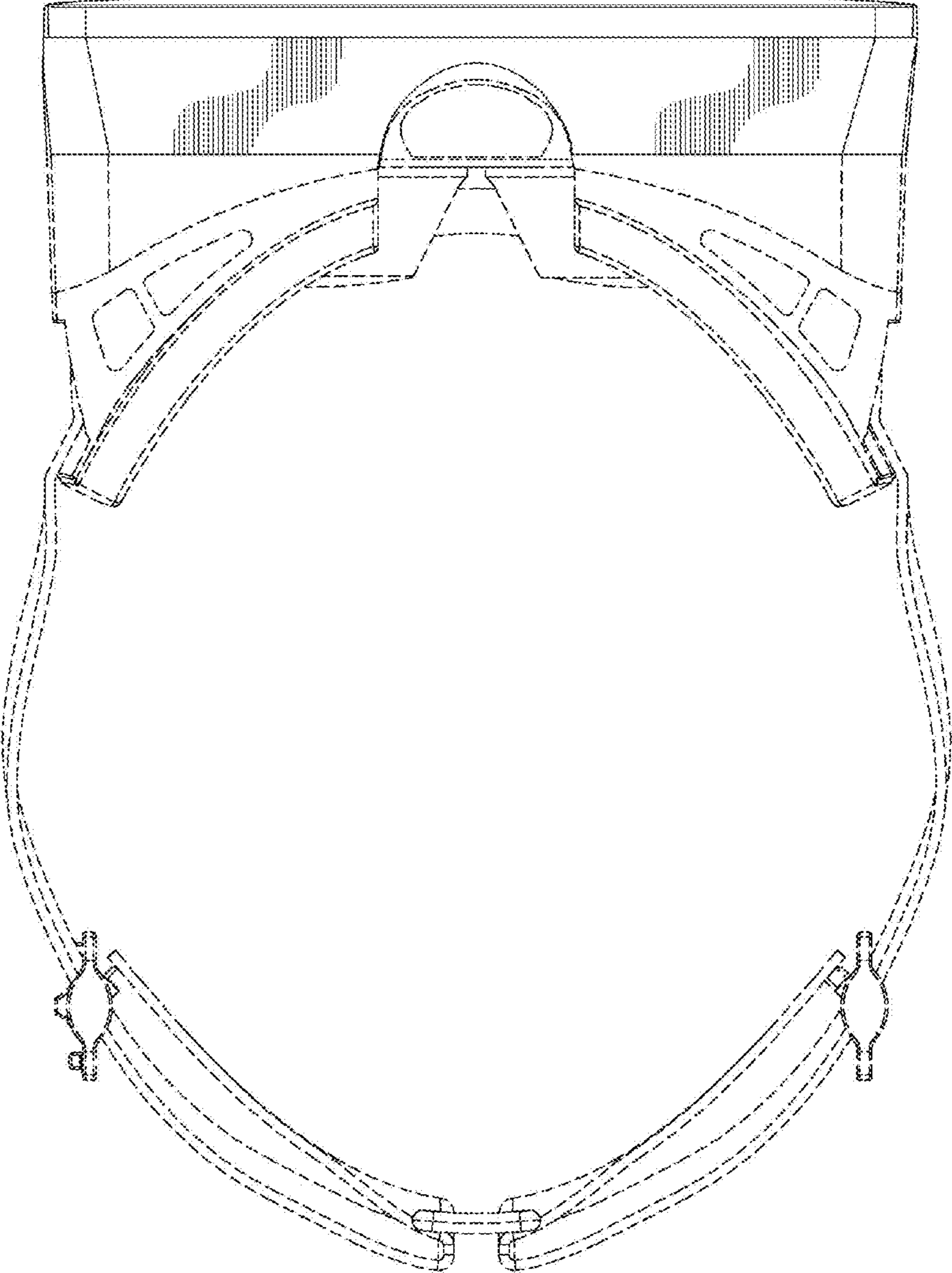


FIG. 5

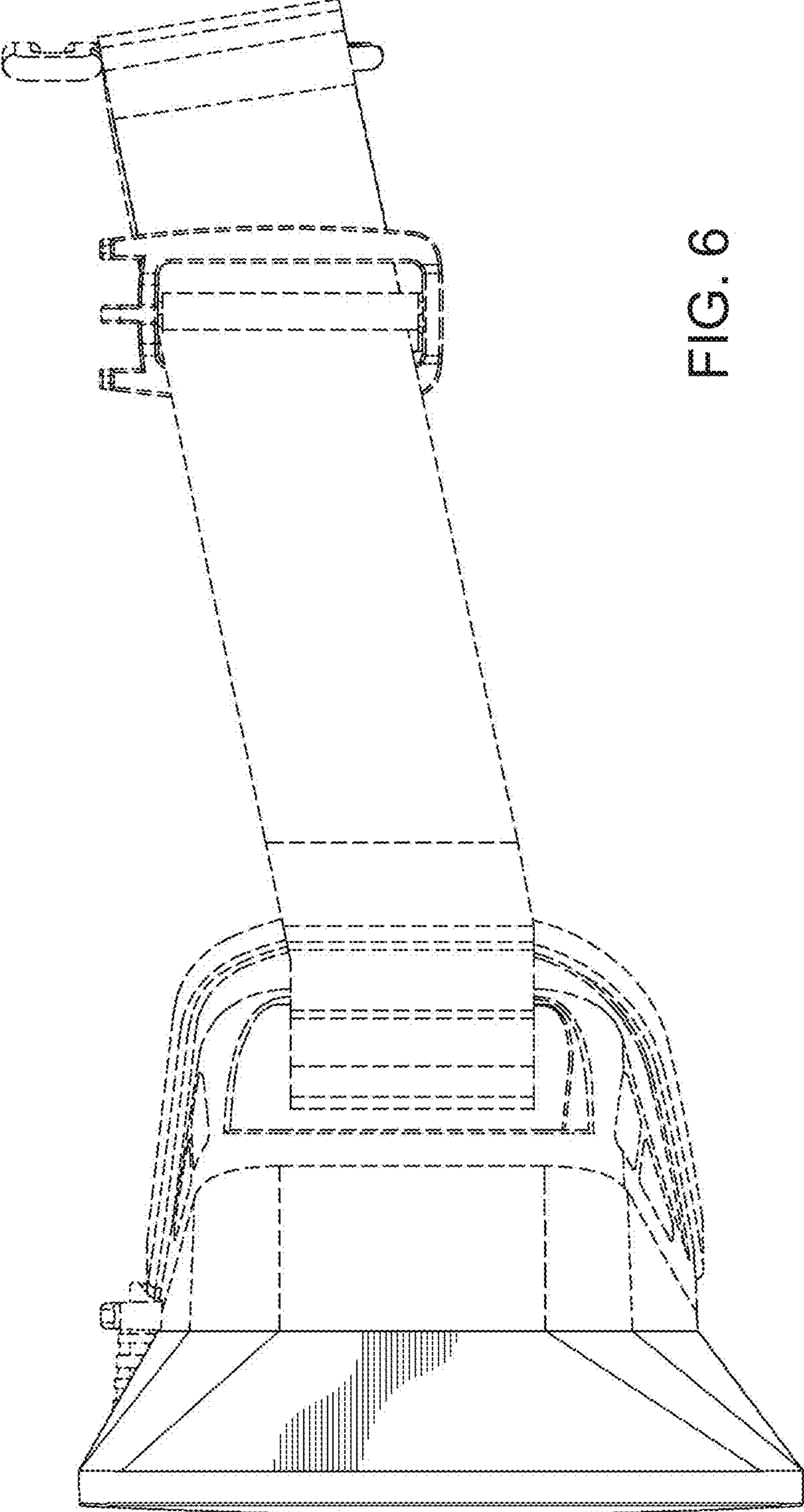


FIG. 6

FIG. 7

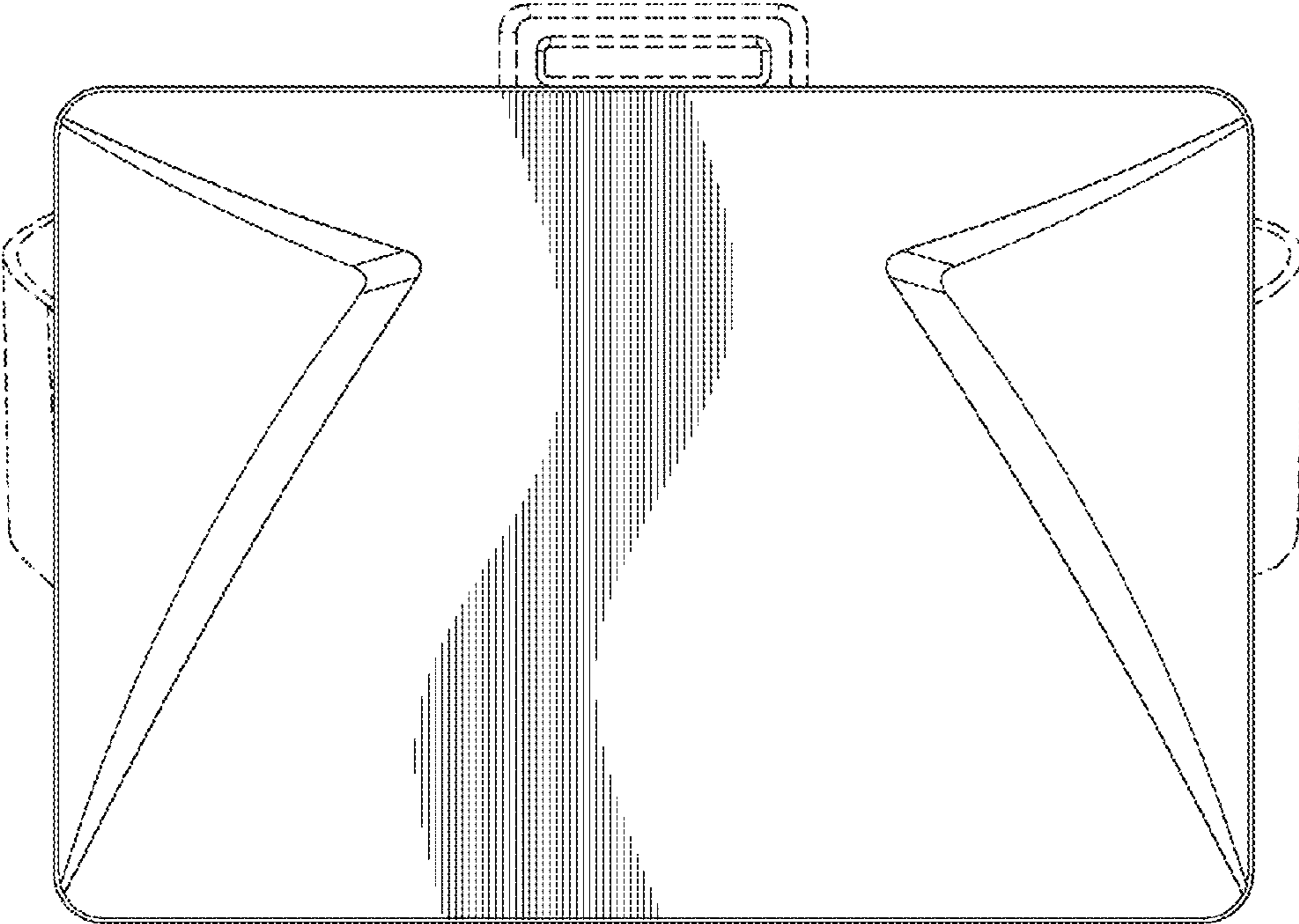


FIG. 8

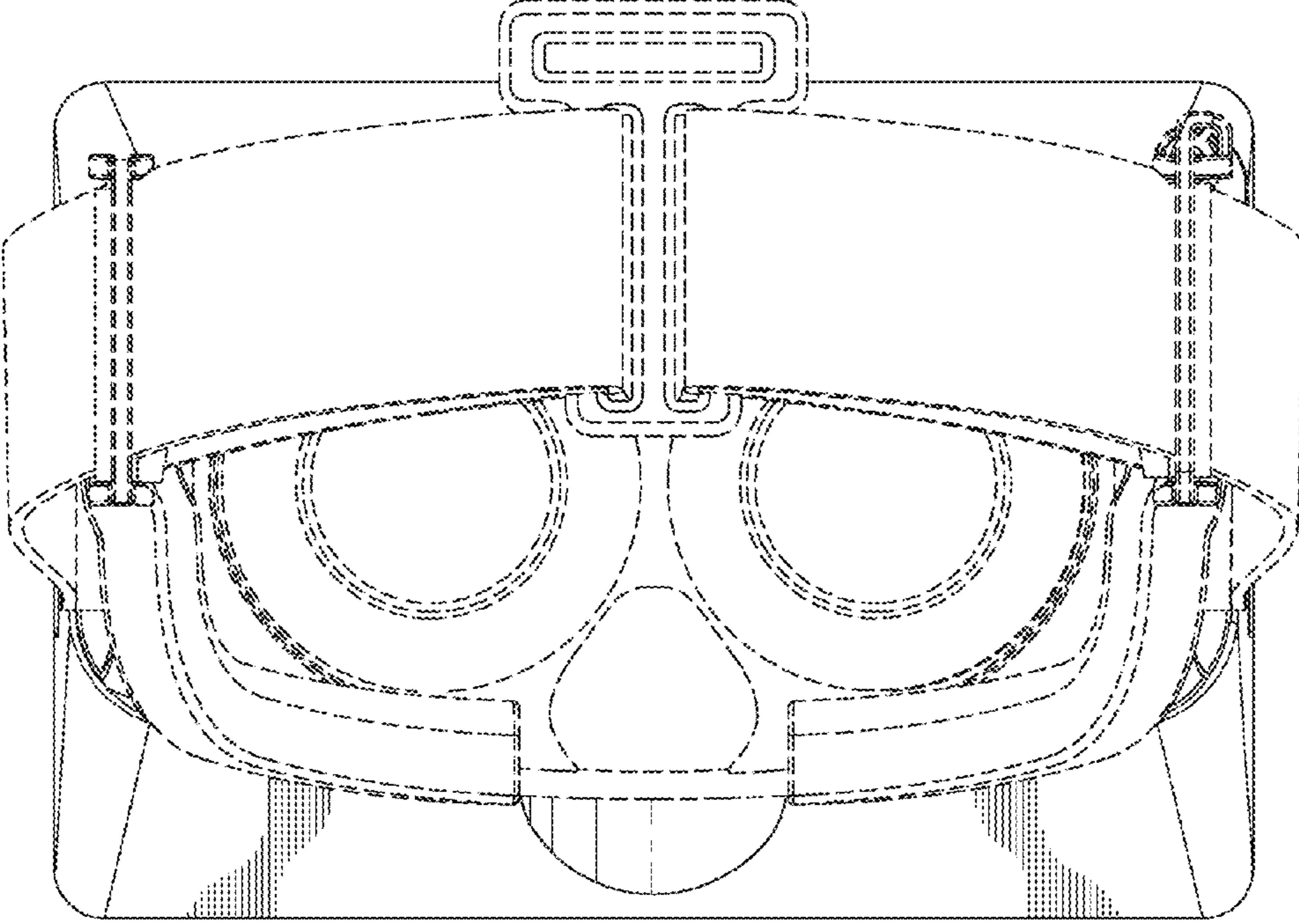
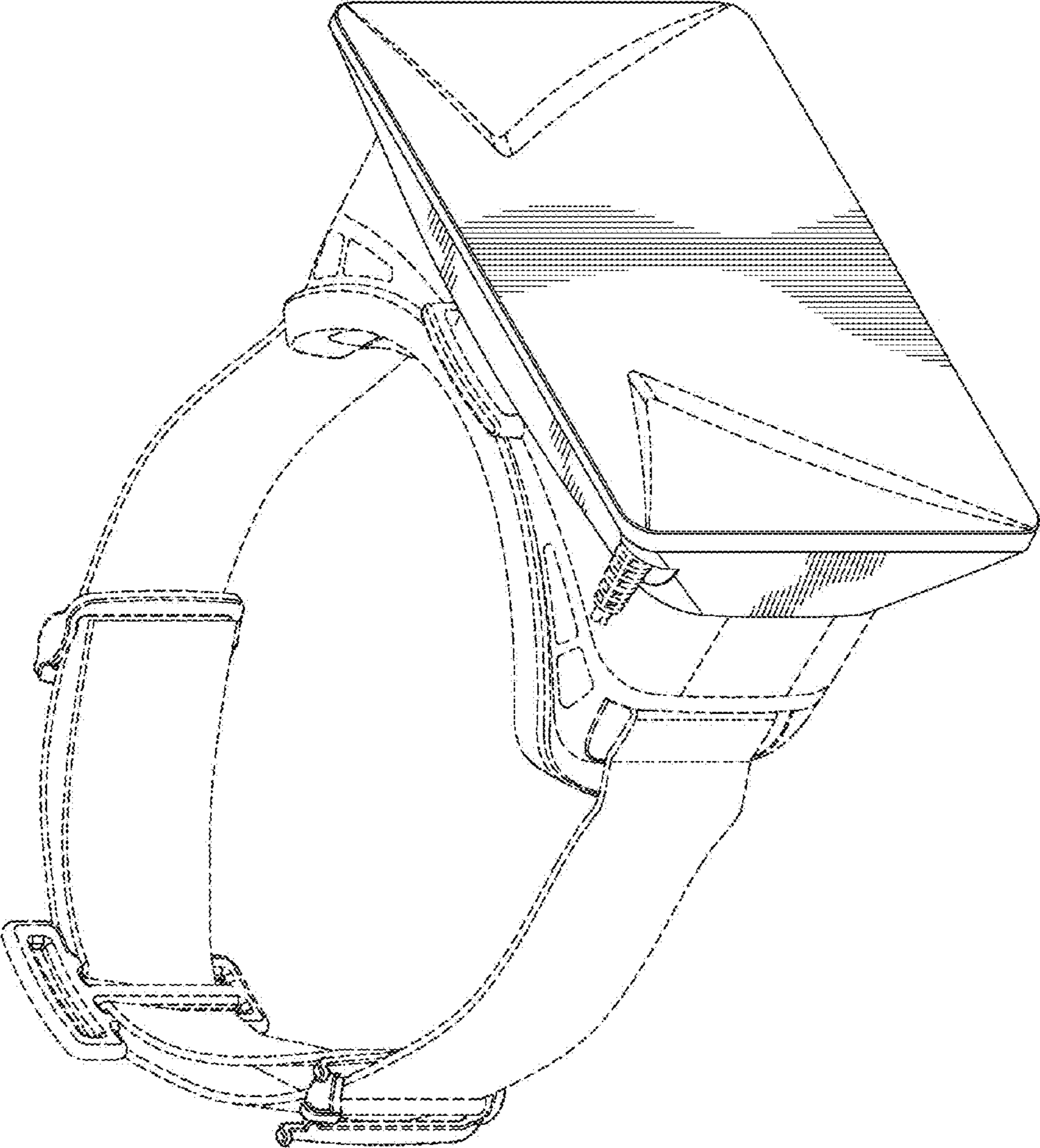


FIG. 9



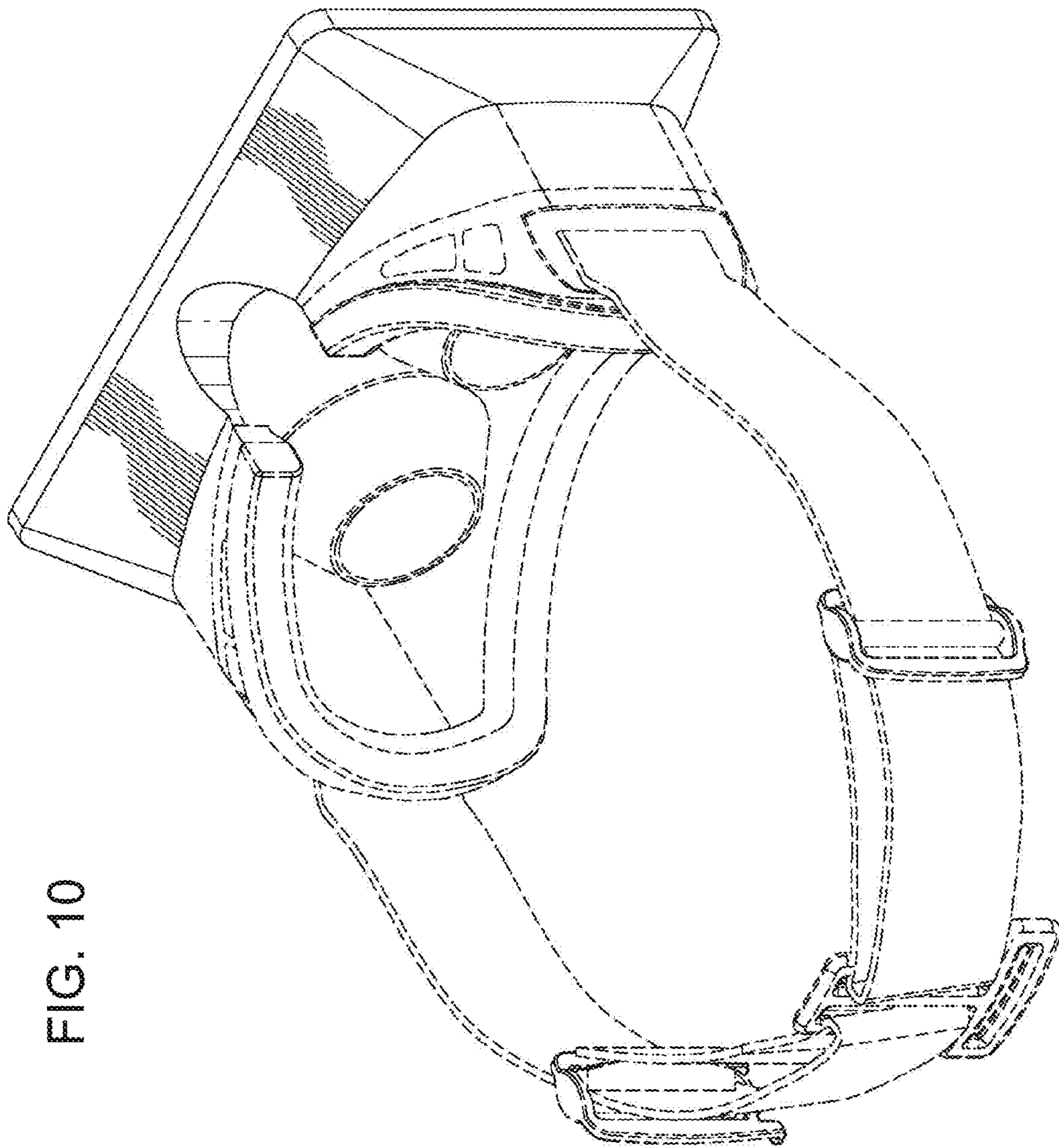


FIG. 10

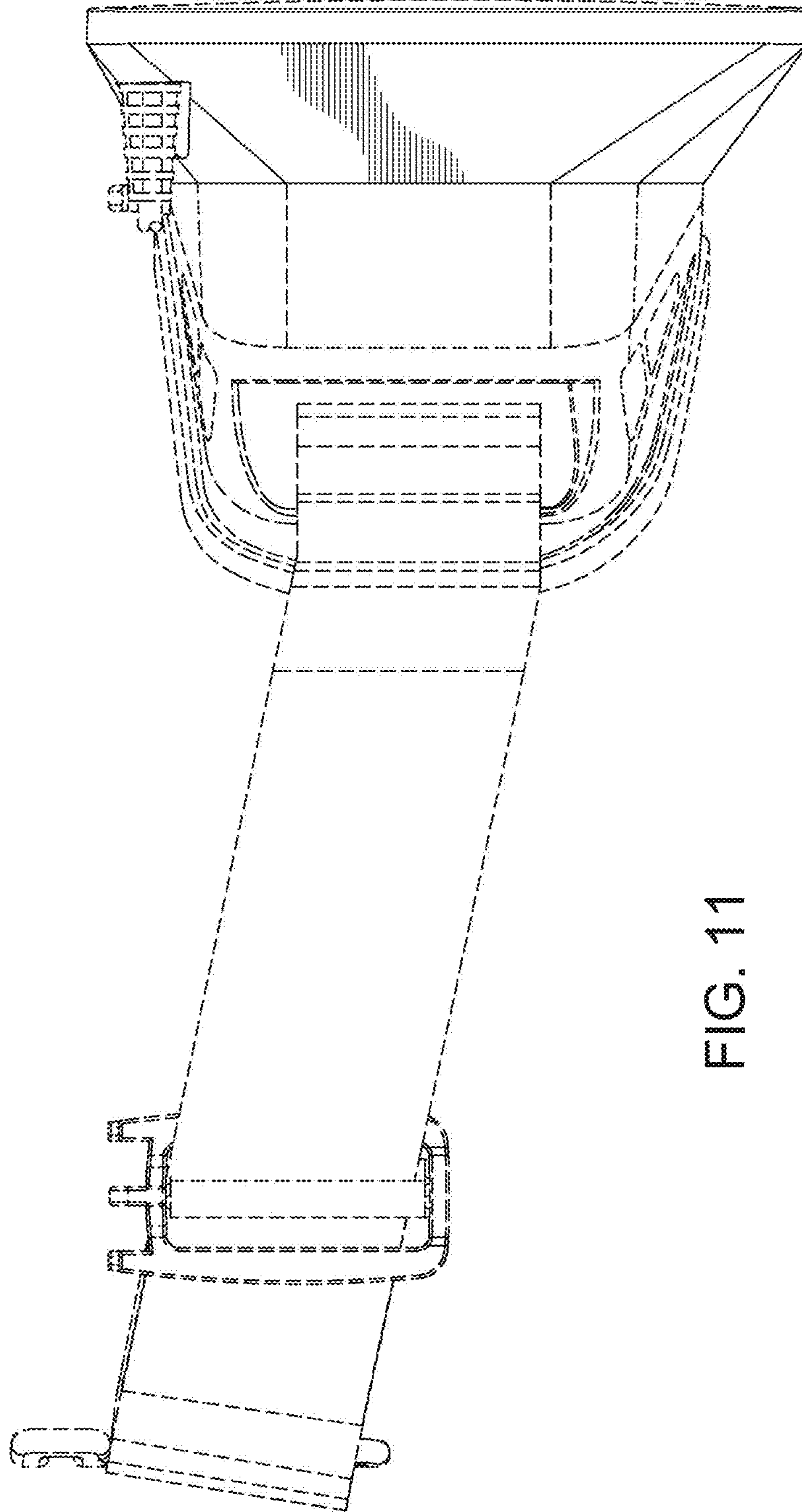


FIG. 11

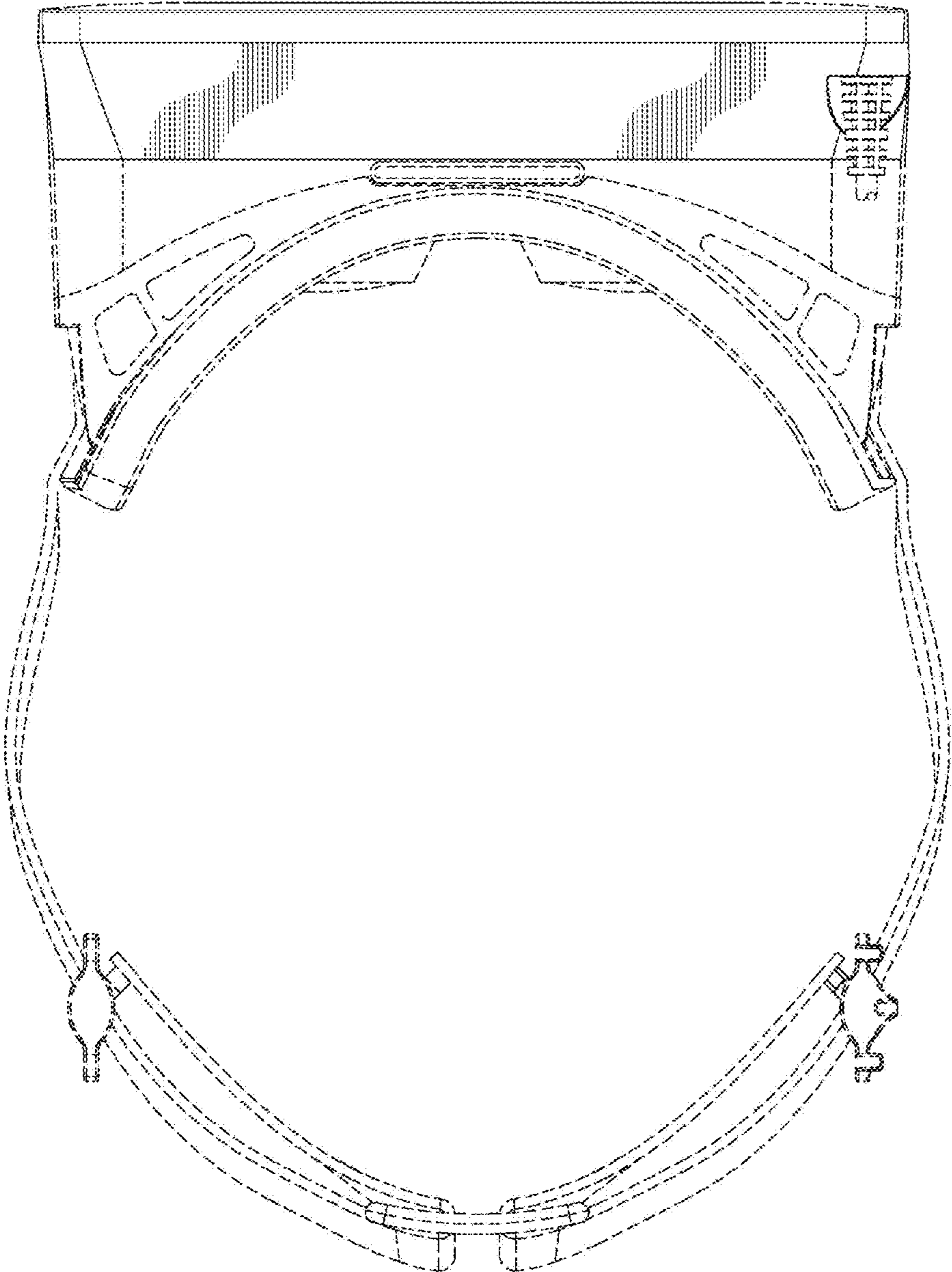


FIG. 12

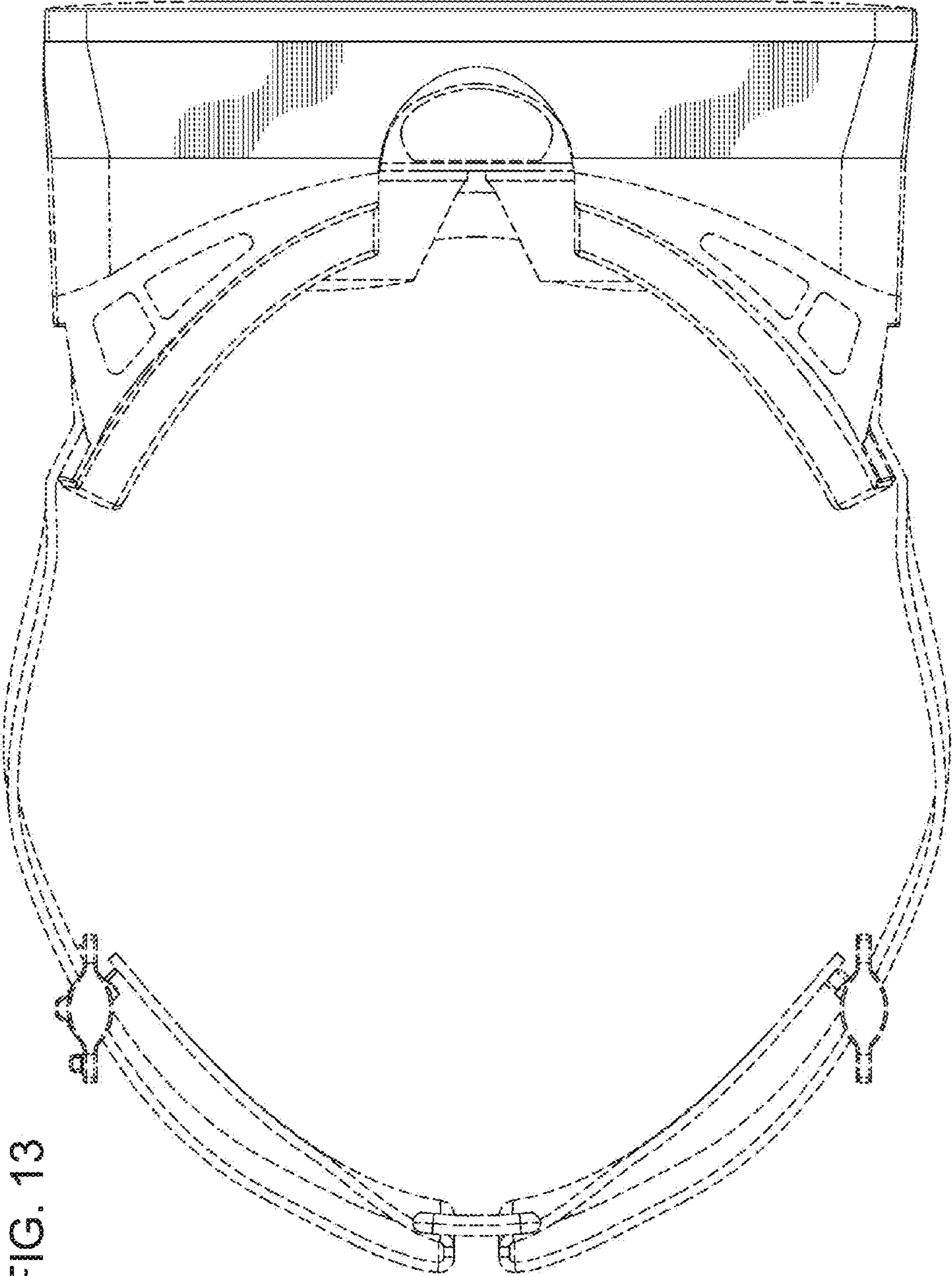


FIG. 13

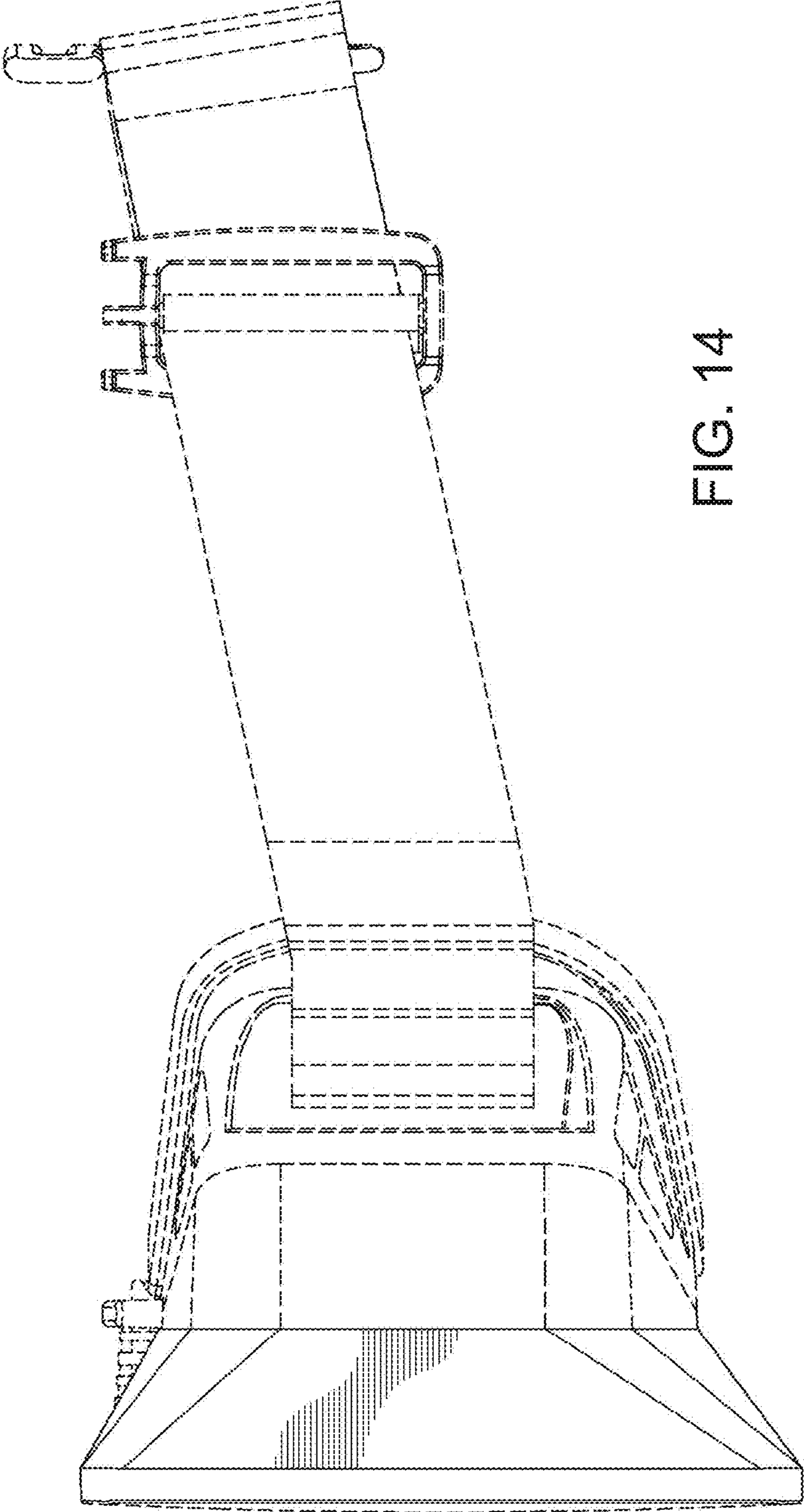


FIG. 14

FIG. 15

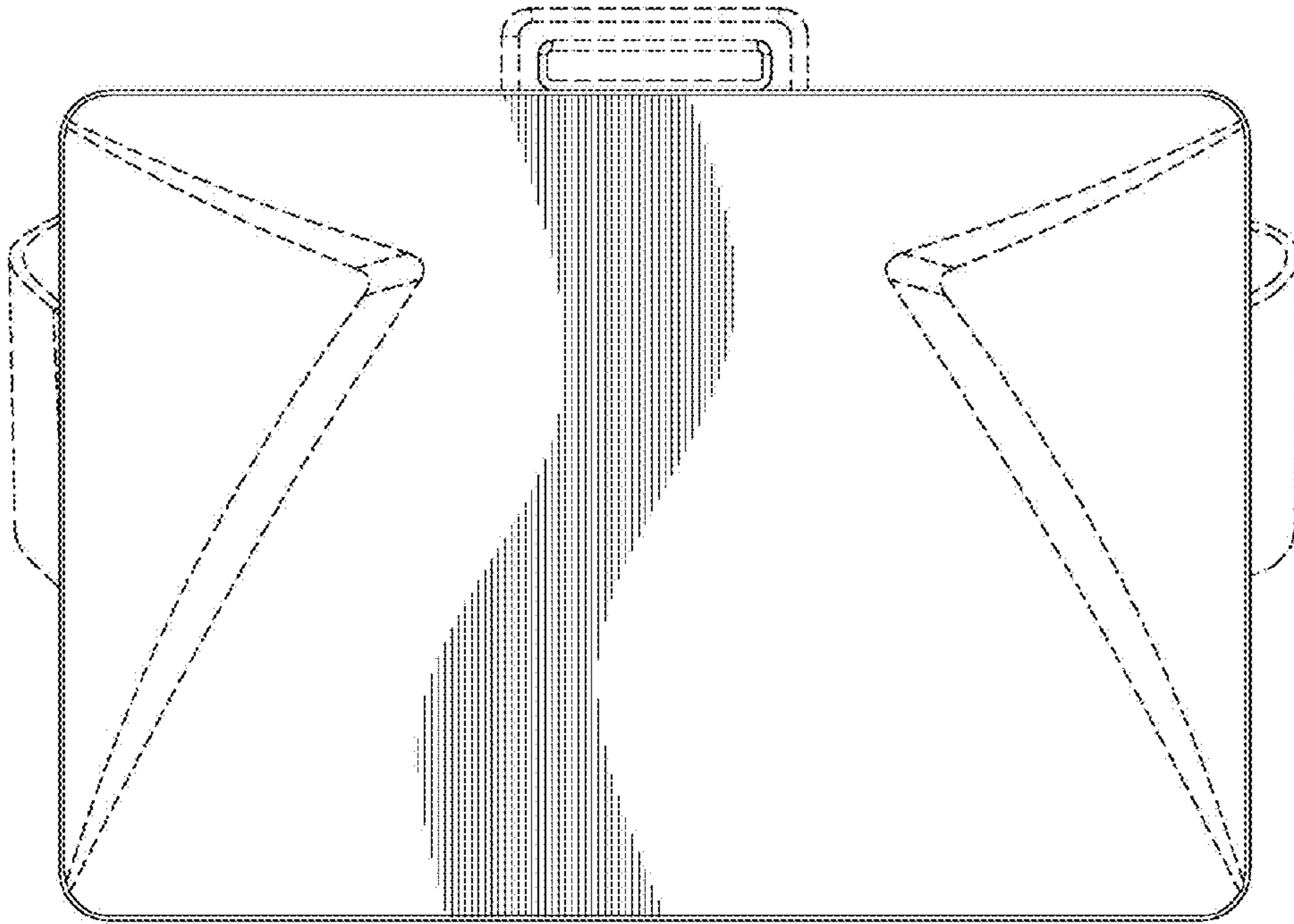


FIG. 16

