



US00D749578S

(12) **United States Design Patent**
Takano et al.

(10) **Patent No.:** **US D749,578 S**
(45) **Date of Patent:** **** Feb. 16, 2016**

(54) **WIRELESS COMMUNICATION DEVICE**

(71) Applicant: **YOKOGAWA ELECTRIC CORPORATION**, Musashino-shi, Tokyo (JP)

(72) Inventors: **Naoto Takano**, Musashino (JP); **Noriaki Senba**, Musashino (JP); **Yasunori Oota**, Musashino (JP); **Takuya Nidaira**, Musashino (JP)

(73) Assignee: **Yokogawa Electric Corporation**, Tokyo (JP)

(**) Term: **14 Years**

(21) Appl. No.: **29/488,508**

(22) Filed: **Apr. 21, 2014**

(30) **Foreign Application Priority Data**

Oct. 23, 2013 (JP) 2013-024651

(51) **LOC (10) Cl.** **14-02**

(52) **U.S. Cl.**
USPC **D14/358**

(58) **Field of Classification Search**

USPC D14/300–302, 314, 348–370, 383–385, D14/435, 496, 125, 135, 155, 240–242, D14/299; D13/103, 119, 162, 184, 199; D10/65, 75, 78, 46, 50; D9/432; D3/273

CPC G01F 15/007; G01F 3/226; G07F 15/001; G11B 33/027; G11B 33/122; G11B 33/124; G11B 33/022; G11B 33/025

See application file for complete search history.

(56) **References Cited**

U.S. PATENT DOCUMENTS

2,765,658 A * 10/1956 Rondeau G01F 3/226
73/274
D212,187 S * 9/1968 Pignolet D10/46
D237,785 S * 11/1975 Hegel D10/46

4,485,672 A * 12/1984 Rosaen G01F 15/007
73/201
D284,456 S * 7/1986 Porter D10/103
D330,518 S * 10/1992 Fischer D10/46
D336,258 S * 6/1993 Payne, Jr. D10/99
D344,465 S * 2/1994 Brew D10/96
D362,810 S * 10/1995 Seaburn D10/46
D417,439 S * 12/1999 Ropponen D13/184
6,035,725 A * 3/2000 Spindel G07F 5/001
73/861
D457,820 S * 5/2002 Amborn D10/49
D553,096 S * 10/2007 Pfingsten D13/162
D587,286 S * 2/2009 Jurasz D15/28
D587,708 S * 3/2009 Yoshida D14/358
D596,963 S * 7/2009 Novotny D10/50
D712,285 S * 9/2014 Baldwin D10/40
D720,633 S * 1/2015 Novotny D10/103

* cited by examiner

Primary Examiner — Karen E Kearney

Assistant Examiner — Nathaniel D Buckner

(74) *Attorney, Agent, or Firm* — Sughrue Mion, PLLC

(57) **CLAIM**

The ornamental design for a wireless communication device, as shown and described.

DESCRIPTION

FIG. 1 is a perspective view of a wireless communication device showing our new design; FIG. 2 is a front view thereof; FIG. 3 is a left side view thereof; FIG. 4 is a right side view thereof; FIG. 5 is a top view thereof; FIG. 6 is a bottom view thereof; FIG. 7 is a perspective view thereof in use; and, FIG. 8 is a perspective view thereof in use. A rear view is omitted because it is plain and unornamental and forms no part of the subject matter of the claimed design. The broken lines showing are included for the purpose of illustrating portions of the wireless communication device in all the figures and environmental structure in FIGS. 7-8 and form no part of the claimed design.

1 Claim, 8 Drawing Sheets

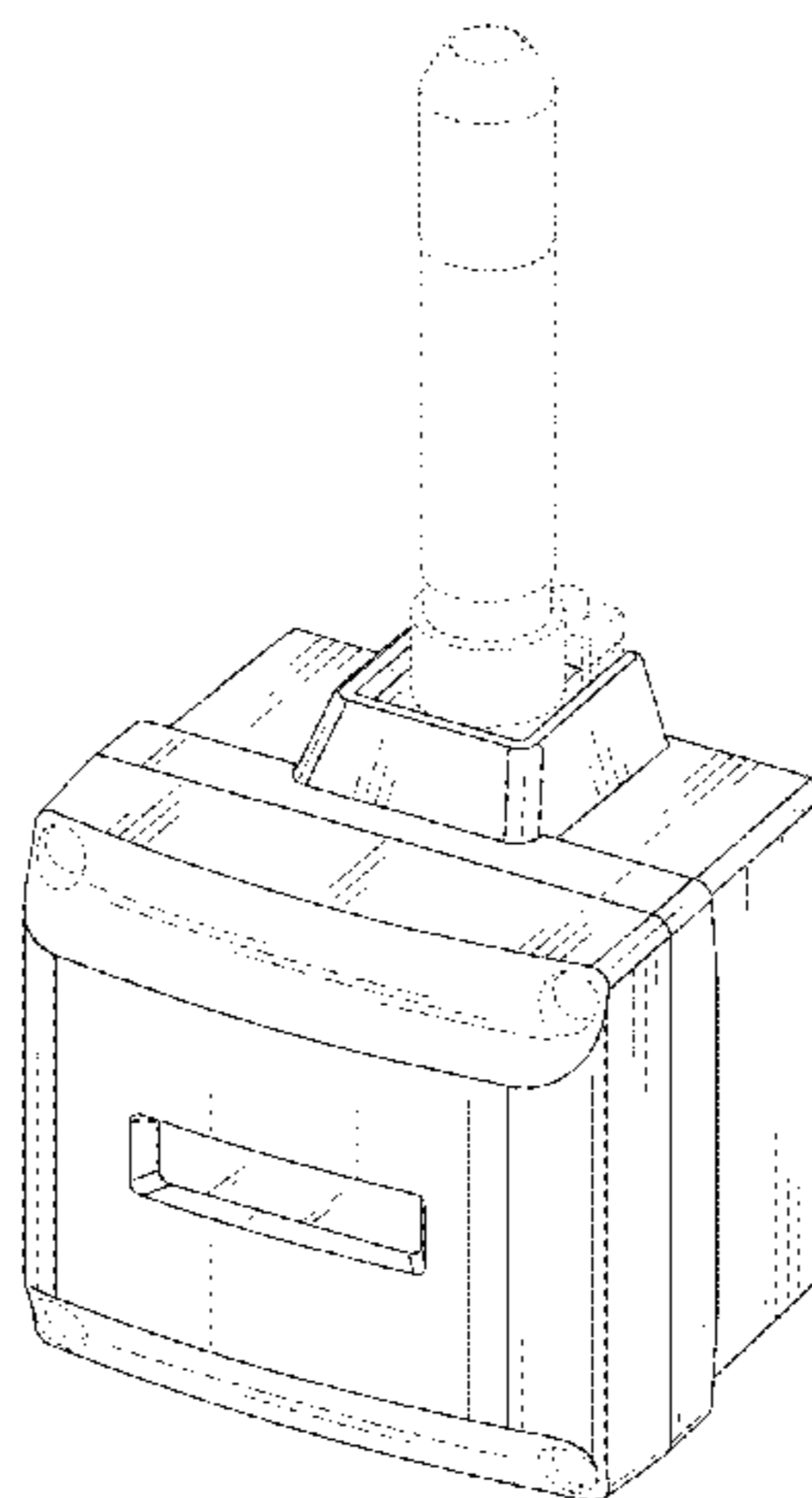


Fig. 1

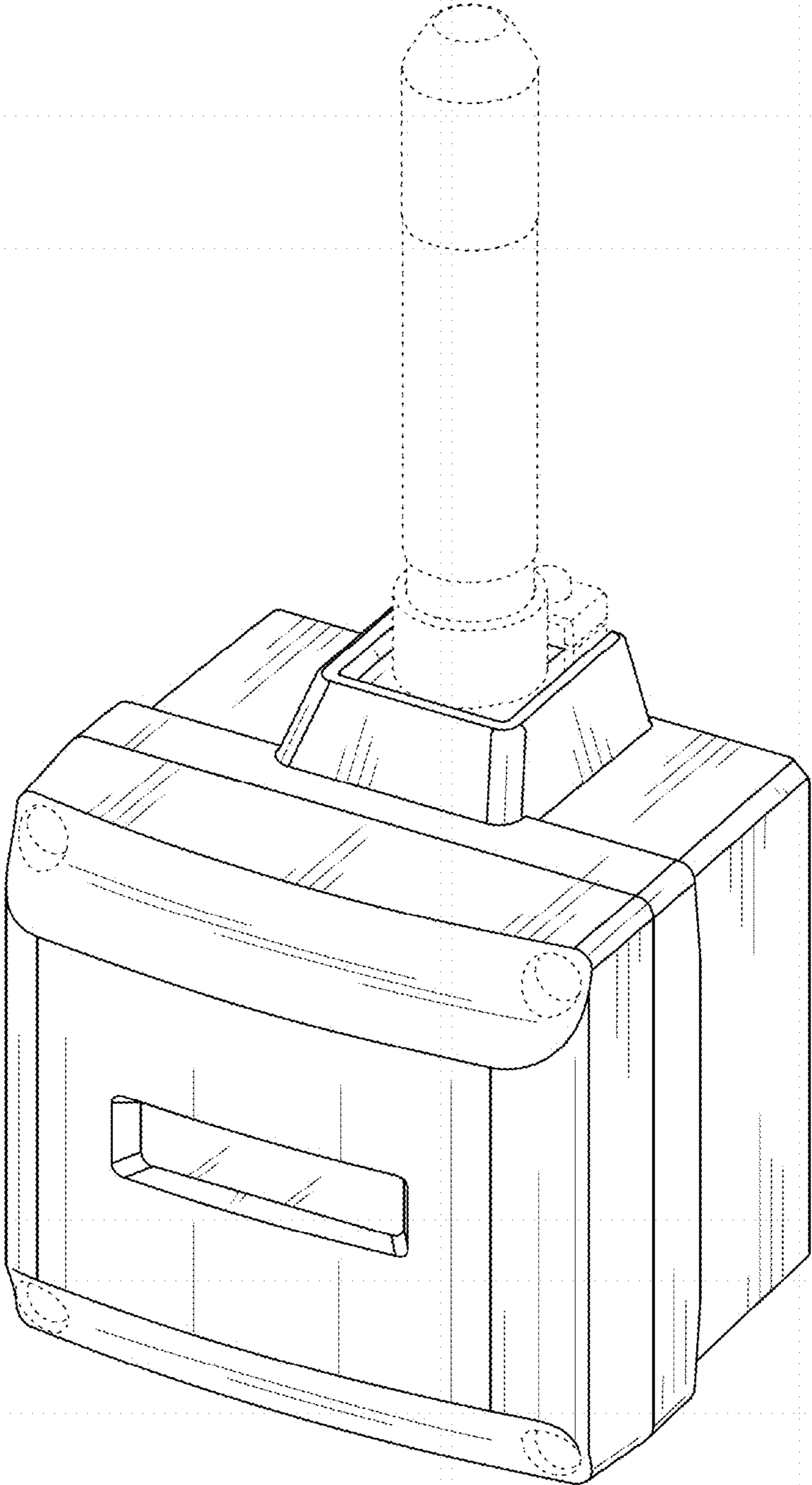


Fig. 2

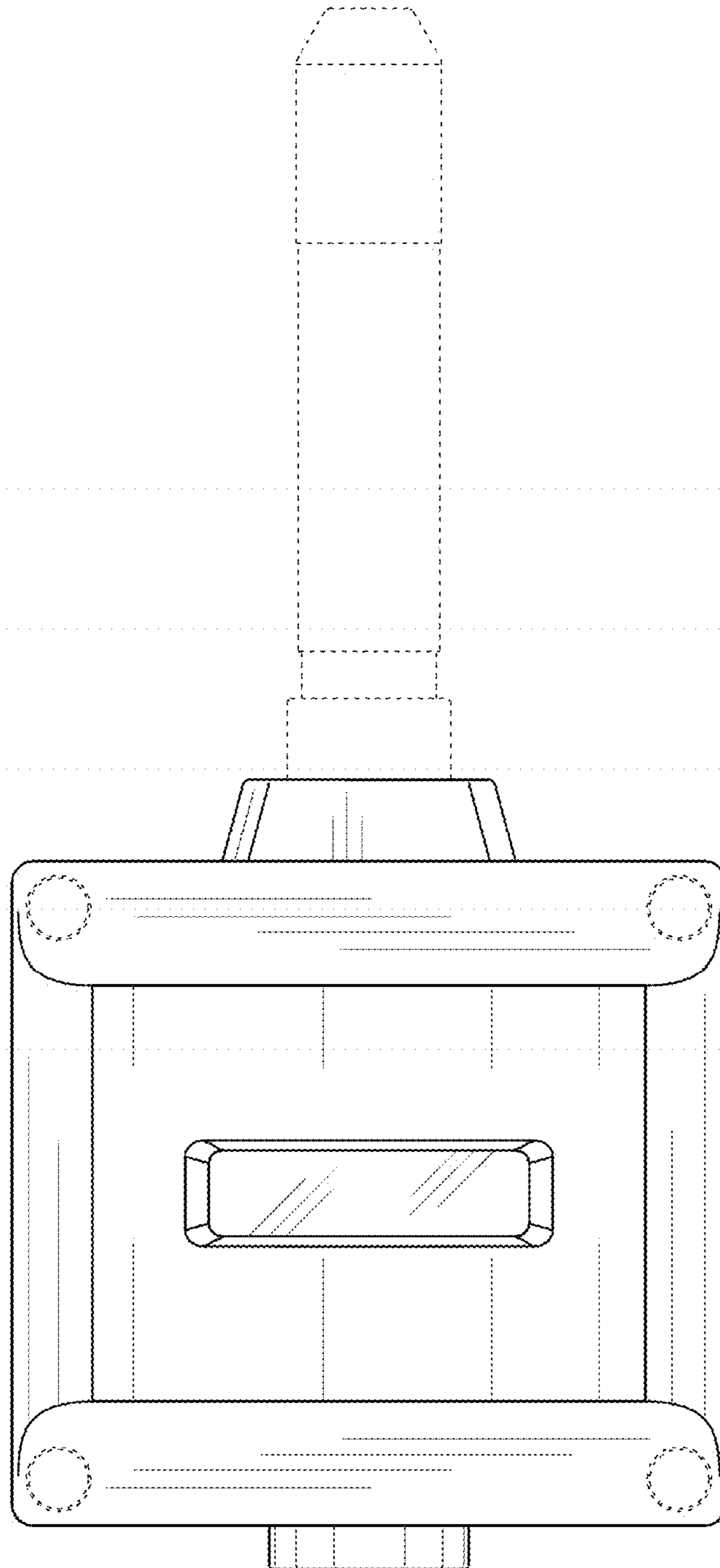


Fig. 3

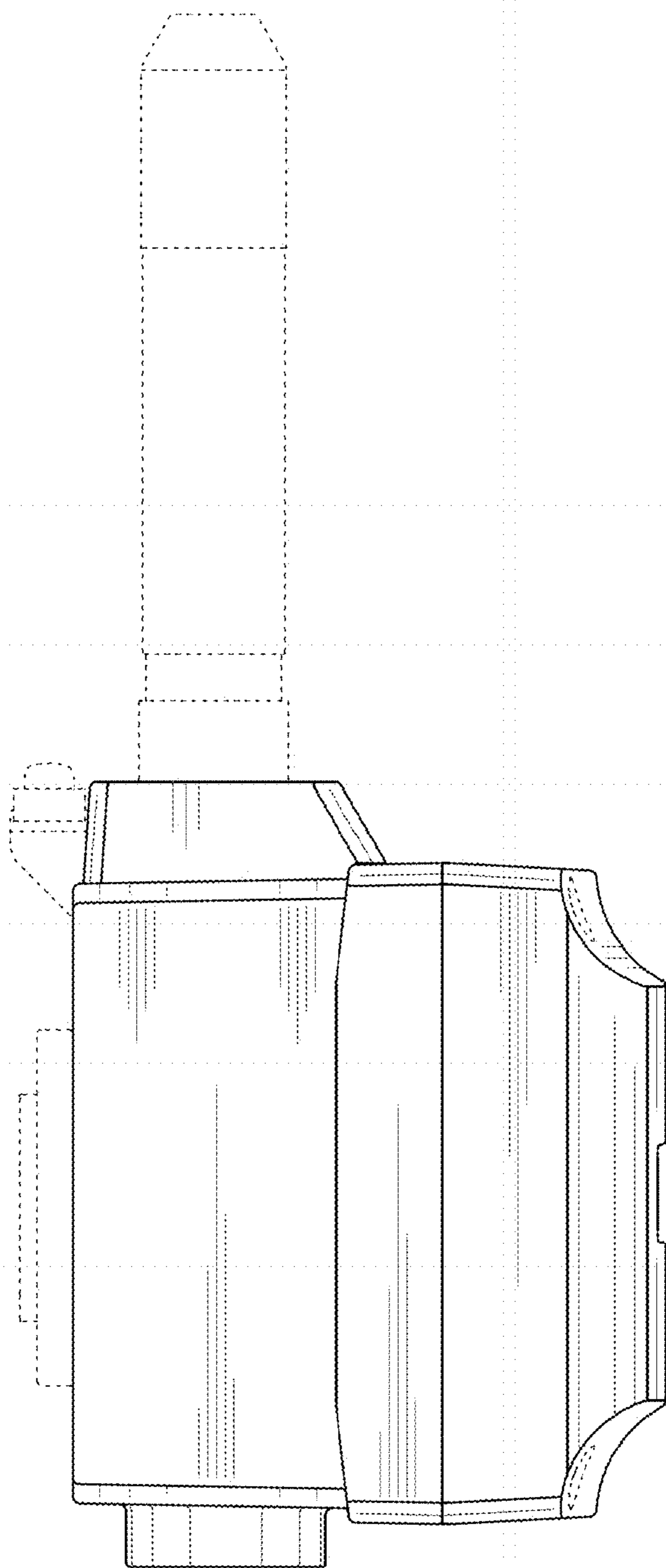


Fig. 4

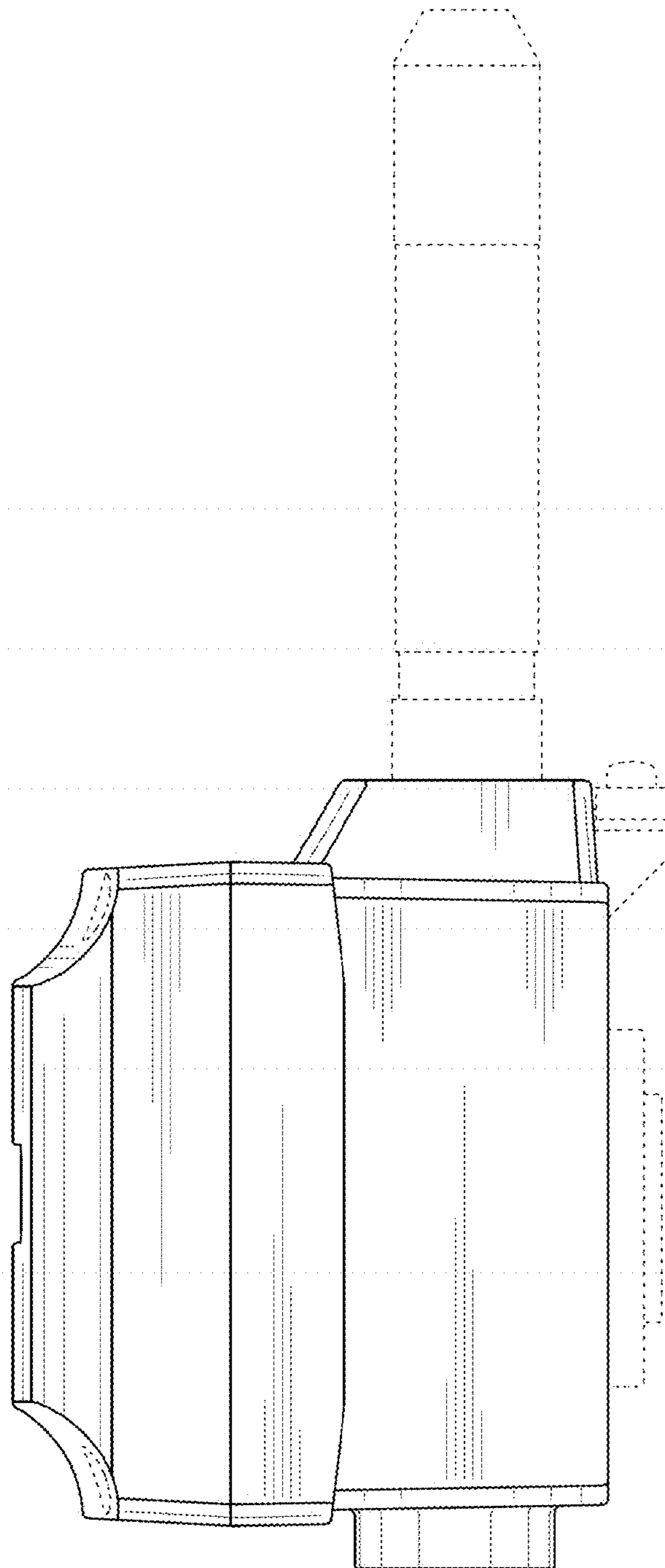


Fig. 5

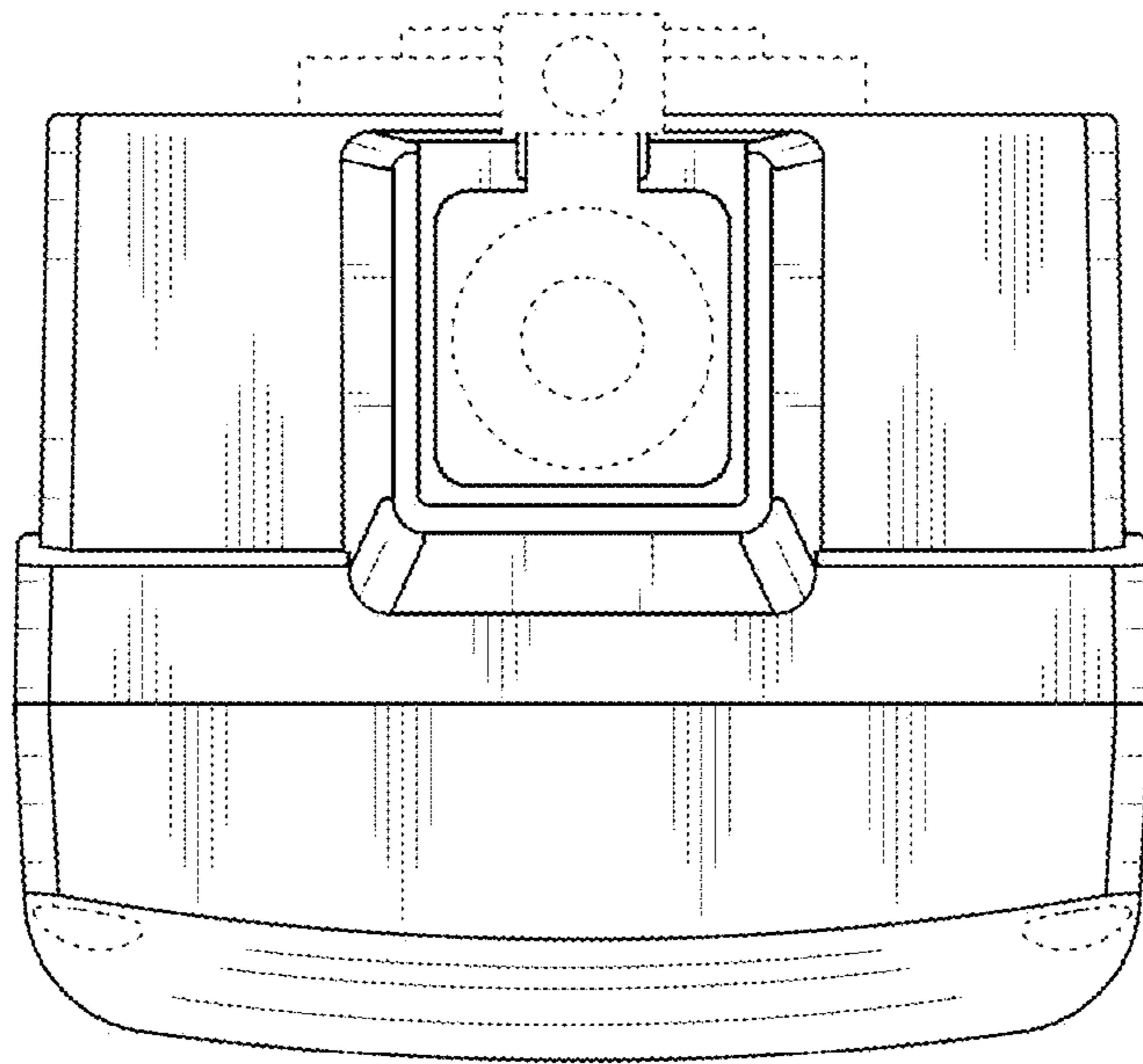


Fig. 6

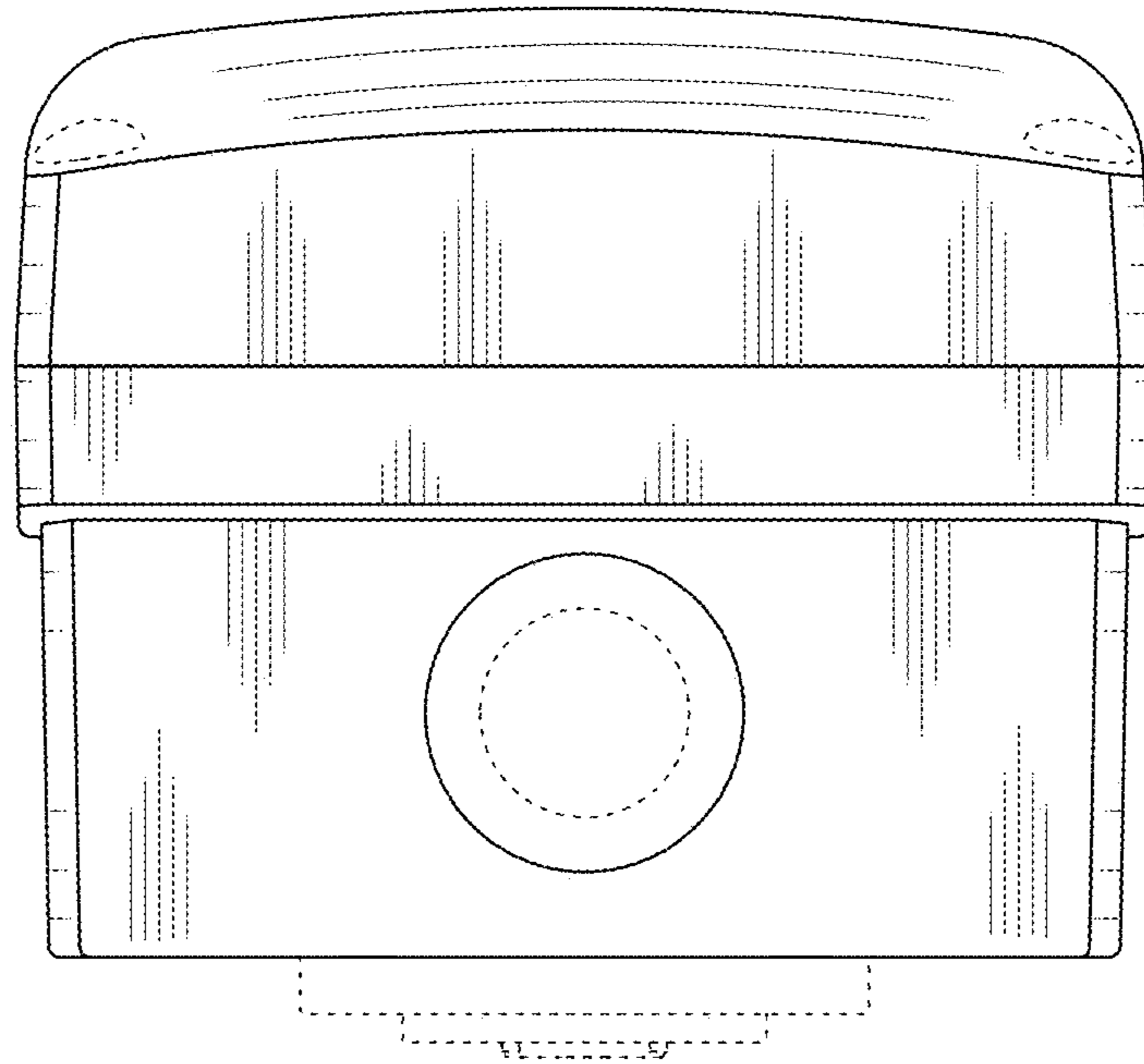


Fig. 7

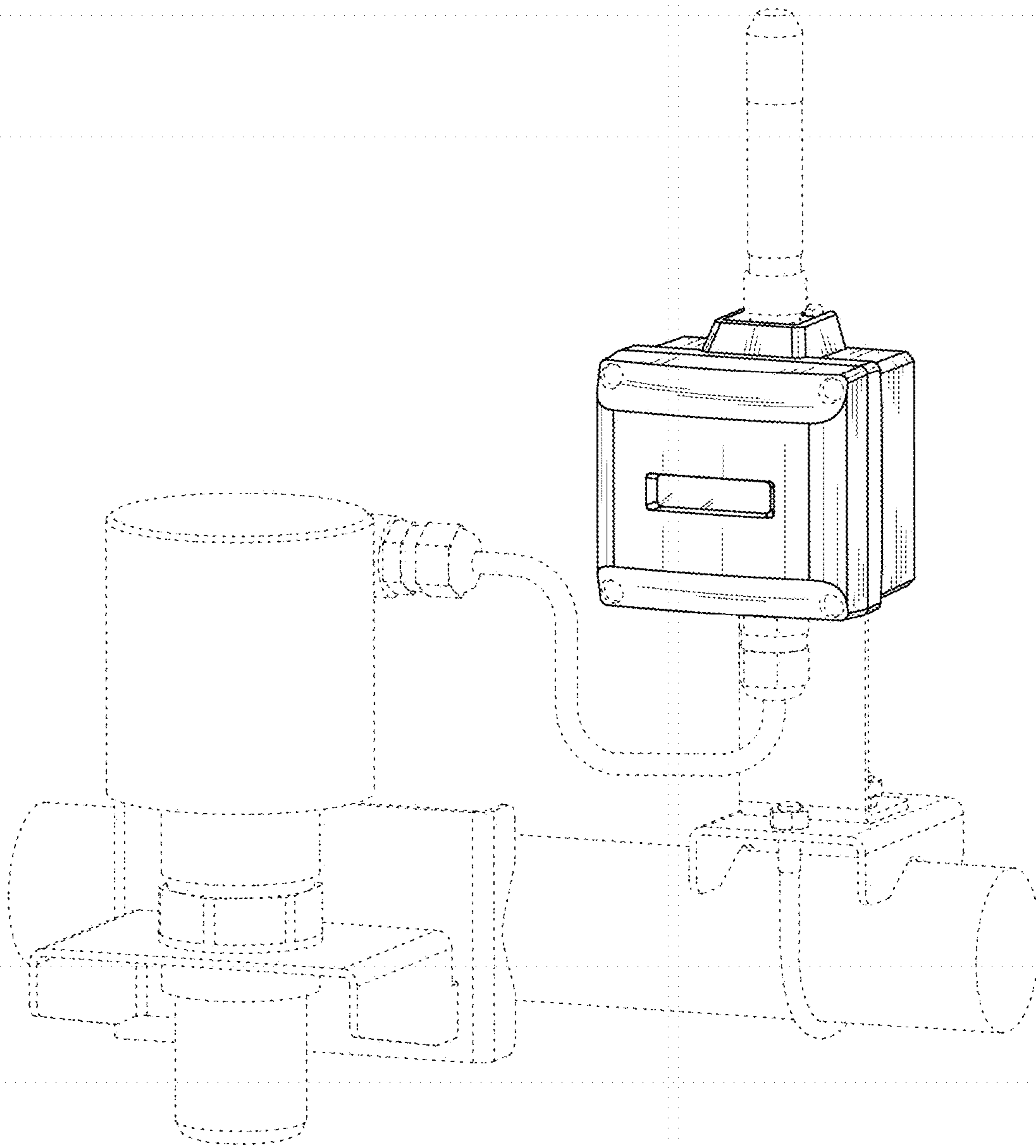


Fig. 8

