



US00D749573S

(12) **United States Design Patent**  
**Park et al.**

(10) **Patent No.:** **US D749,573 S**  
(45) **Date of Patent:** **\*\* Feb. 16, 2016**

(54) **MOBILE TERMINAL**

(71) Applicant: **Samsung Electronics Co., Ltd.**,  
Suwon-si (KR)  
(72) Inventors: **Sang-II Park**, Seoul (KR); **Sang-Min**  
**Hyun**, Seoul (KR); **Young-Joong Jun**,  
Seoul (KR); **In-Shik Kim**, Seongam-si  
(KR)

(73) Assignee: **Samsung Electronics Co., Ltd.**,  
Suwon-si (KR)

(\*\*) Term: **14 Years**

(21) Appl. No.: **29/499,270**

(22) Filed: **Aug. 13, 2014**

(30) **Foreign Application Priority Data**

Feb. 22, 2014 (KR) ..... 30-2014-0009027

(51) **LOC (10) Cl.** ..... **14-03**

(52) **U.S. Cl.**  
USPC ..... **D14/345**; D14/496; D14/203.4; D14/341

(58) **Field of Classification Search**  
USPC ..... D14/496, 203–203.7, 138 AB, 138 AD,  
D14/341–346, 143, 218, 138 R, 339, 340,  
D14/316; 345/156, 169, 173–179, 905;  
715/700; 710/1, 5, 8; 713/1, 600;  
455/11, 1.7, 73, 344–347, 93, 95,  
455/575.1, 556.2, 573.3, 566;  
370/342–344; 369/1, 2, 6, 12;  
463/43–47; 379/433.01, 433.04,  
379/433.12, 433.13; 361/679.01, 679.56  
CPC ..... G06F 1/16; G06F 3/00; G06F 3/14;  
H04B 1/38; H05K 7/00; H05K 7/16; H05K  
7/20; H04M 1/0212; H04M 1/021; H04M  
1/022; H04M 2250/16

See application file for complete search history.

(56) **References Cited**

U.S. PATENT DOCUMENTS

5,848,298 A \* 12/1998 Steere, Jr. .... G06F 1/1626  
710/62  
5,898,600 A \* 4/1999 Isashi ..... G06F 1/1618  
345/169  
D466,897 S \* 12/2002 Hata ..... D14/371  
D493,463 S \* 7/2004 Takahashi ..... D14/345  
6,781,824 B2 \* 8/2004 Krieger ..... G06F 1/1626  
16/224  
7,138,982 B2 \* 11/2006 Sugimoto ..... G06F 1/1616  
345/169  
D588,126 S \* 3/2009 Chiang ..... D14/345  
D681,000 S \* 4/2013 Koh ..... D14/203.4  
D681,054 S \* 4/2013 Koh ..... D14/496  
D716,751 S \* 11/2014 Lee ..... D14/138 AB  
D716,800 S \* 11/2014 Lee ..... D14/345  
9,078,338 B2 \* 7/2015 Ohtaka ..... H05K 7/00

\* cited by examiner

*Primary Examiner* — Prabhakar Deshmukh

(74) *Attorney, Agent, or Firm* — NSIP Law

(57) **CLAIM**

We claim the ornamental design for a mobile terminal, as shown and described.

**DESCRIPTION**

FIG. 1 is a front perspective view of a mobile terminal showing our new design;  
FIG. 2 is a front view thereof;  
FIG. 3 is a rear view thereof;  
FIG. 4 is a left-side view thereof;  
FIG. 5 is a right-side view thereof;  
FIG. 6 is a top plan view thereof;  
FIG. 7 is a bottom plan thereof;  
FIG. 8 is another top view, in which the mobile terminal is provided in an open position;  
FIG. 9 is another front perspective view, in which the mobile terminal is provided in an open position; and,  
FIG. 10 is a rear perspective view of FIG. 9.  
The broken lines in the figures show portions of the mobile terminal which form no part of the claimed design.

**1 Claim, 8 Drawing Sheets**

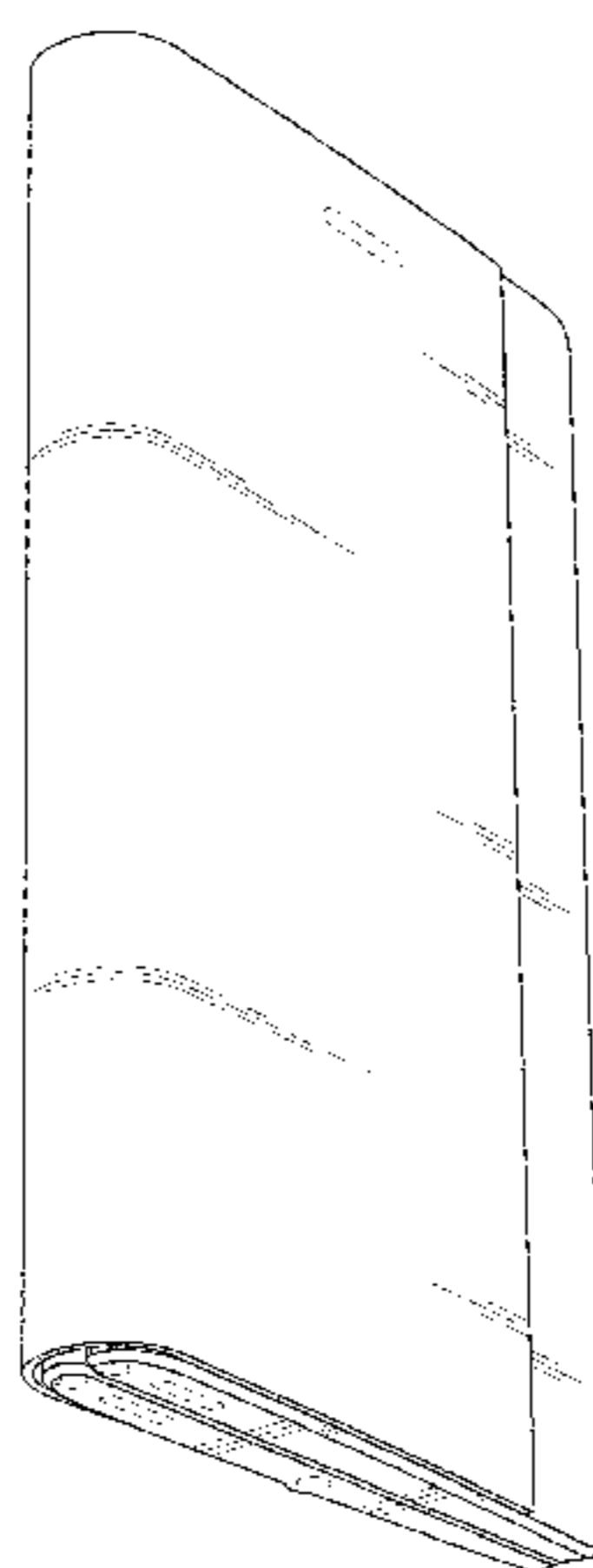


FIG. 1

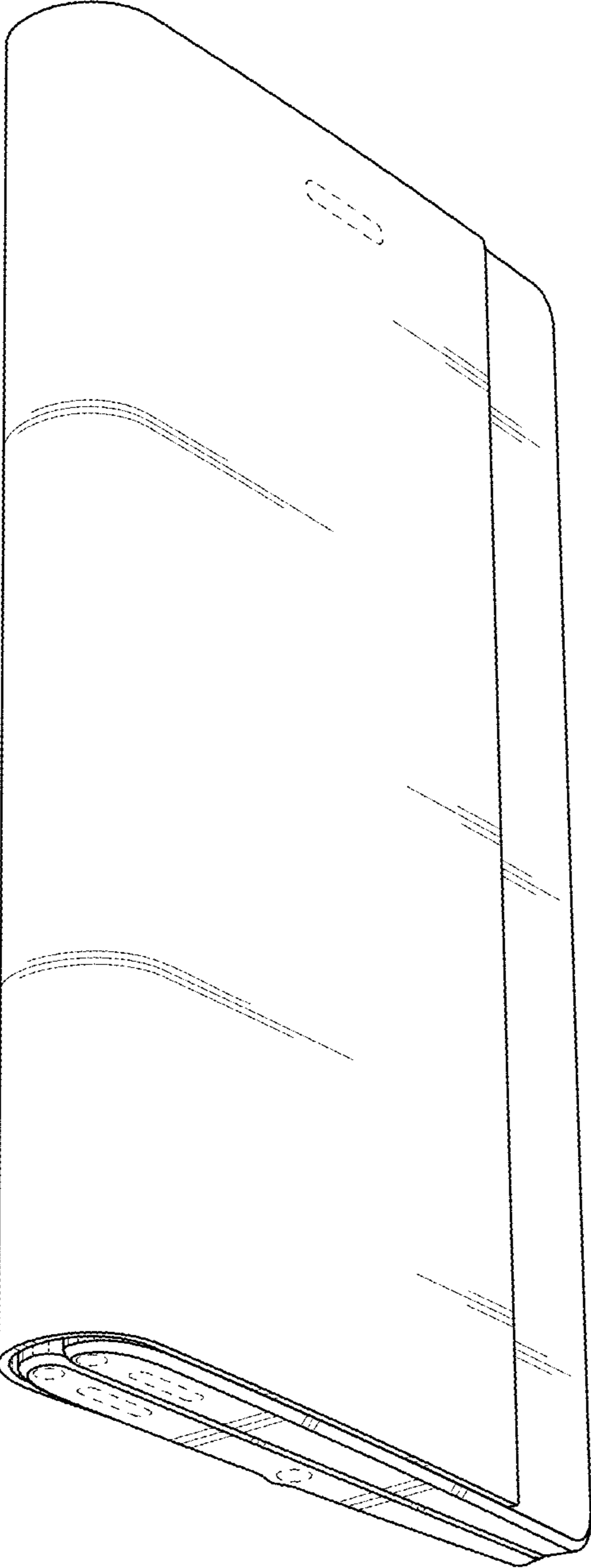


FIG. 2

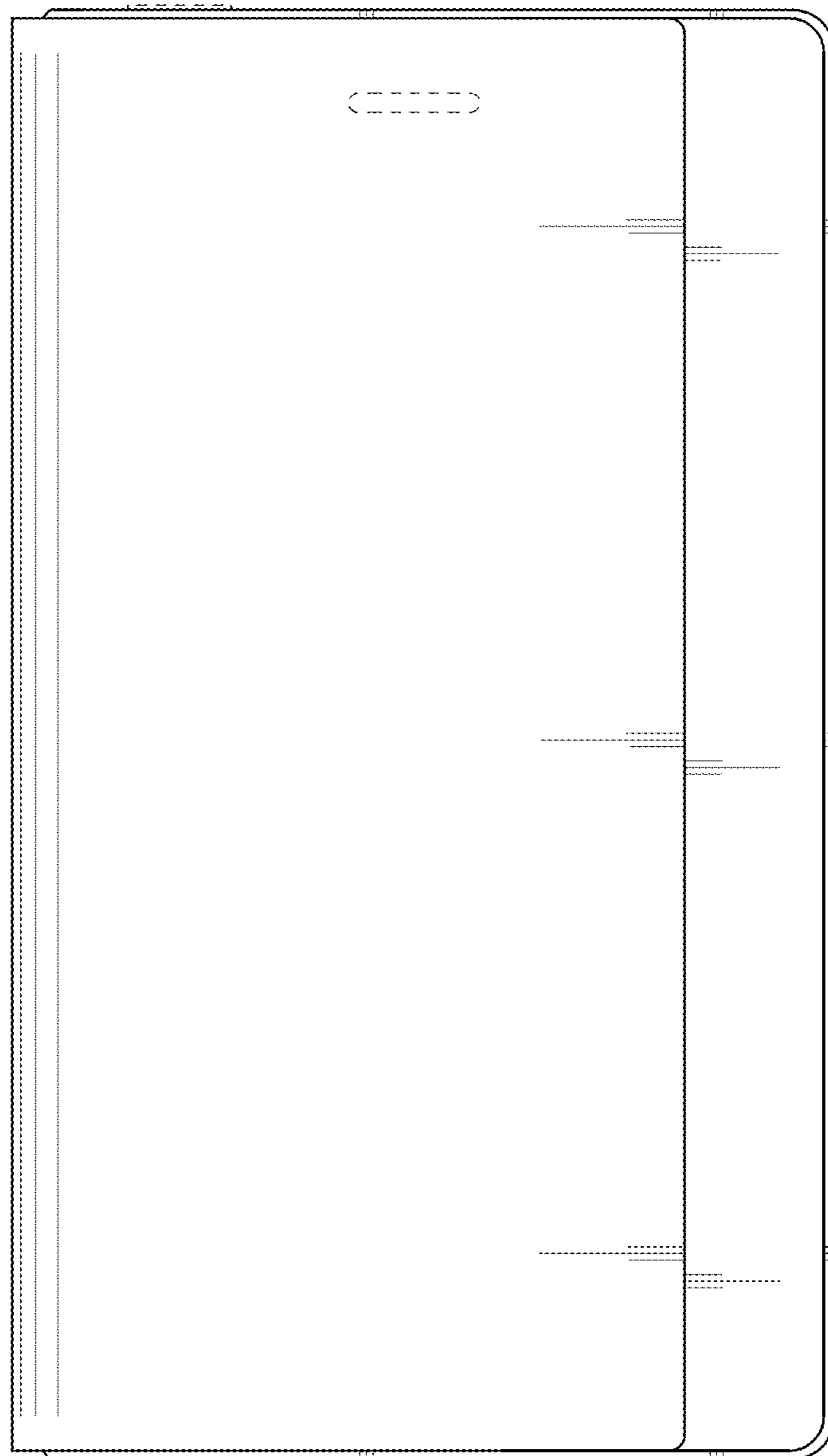


FIG. 3

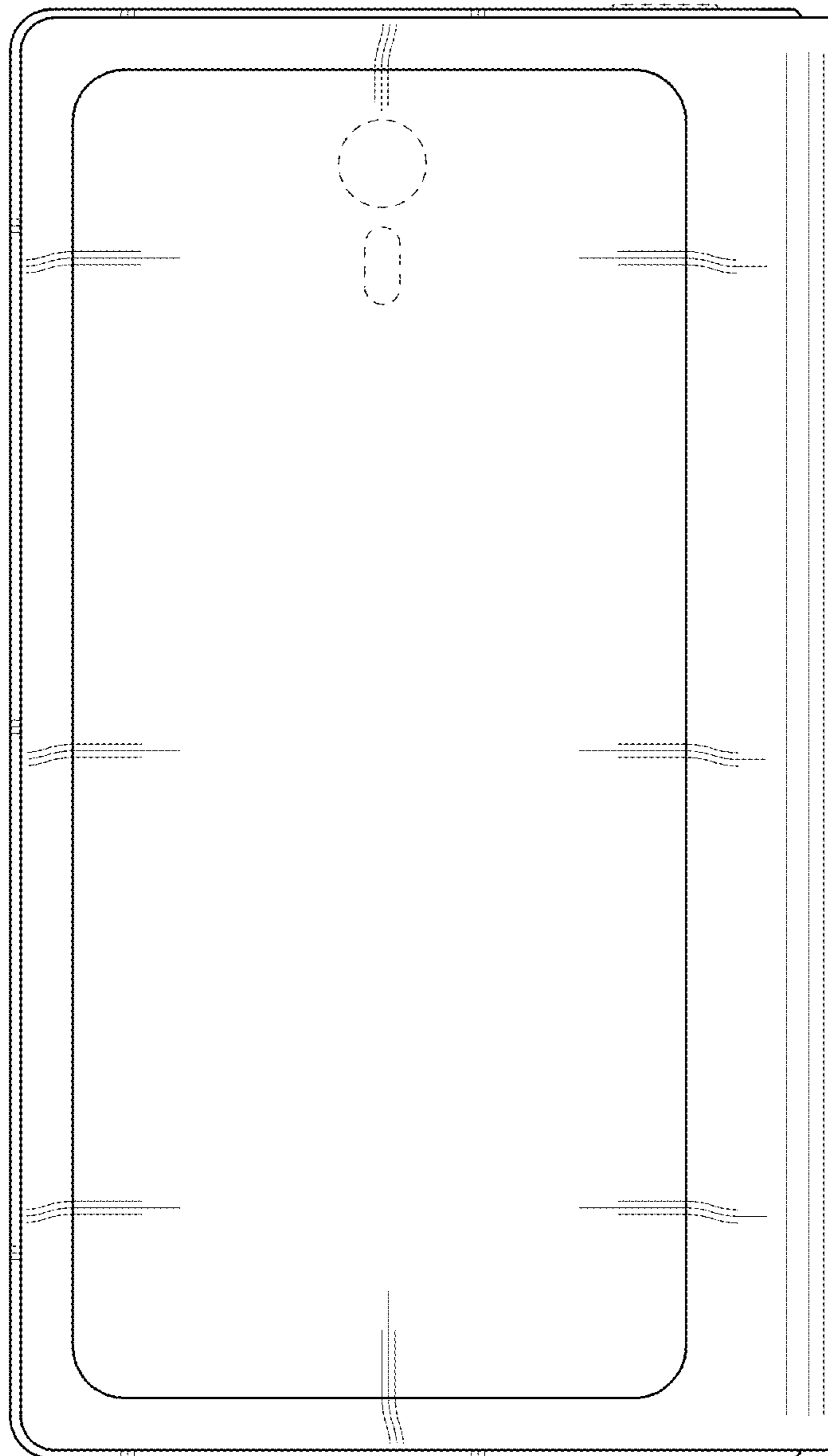




FIG. 6

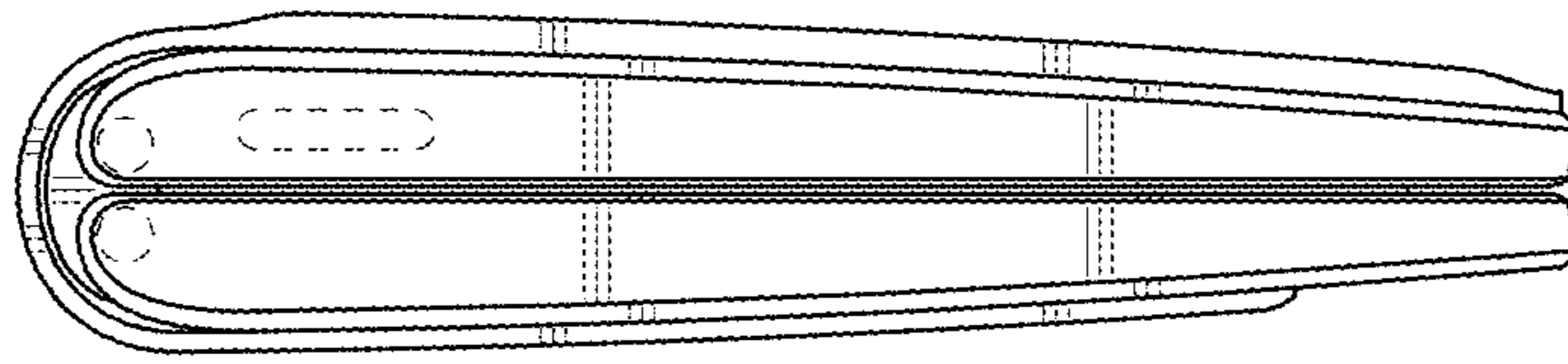


FIG. 7

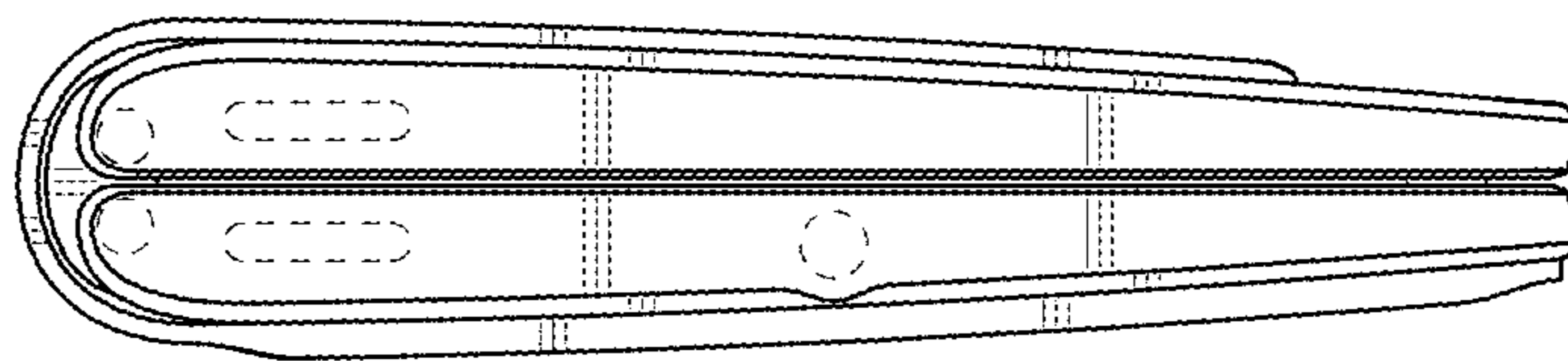


FIG. 8

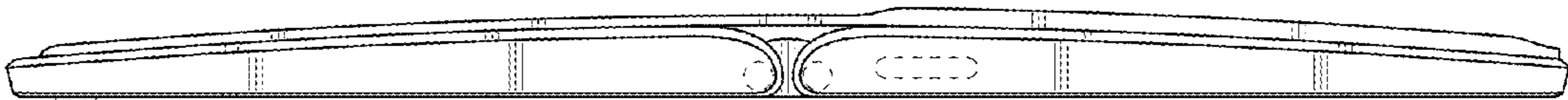


FIG. 9

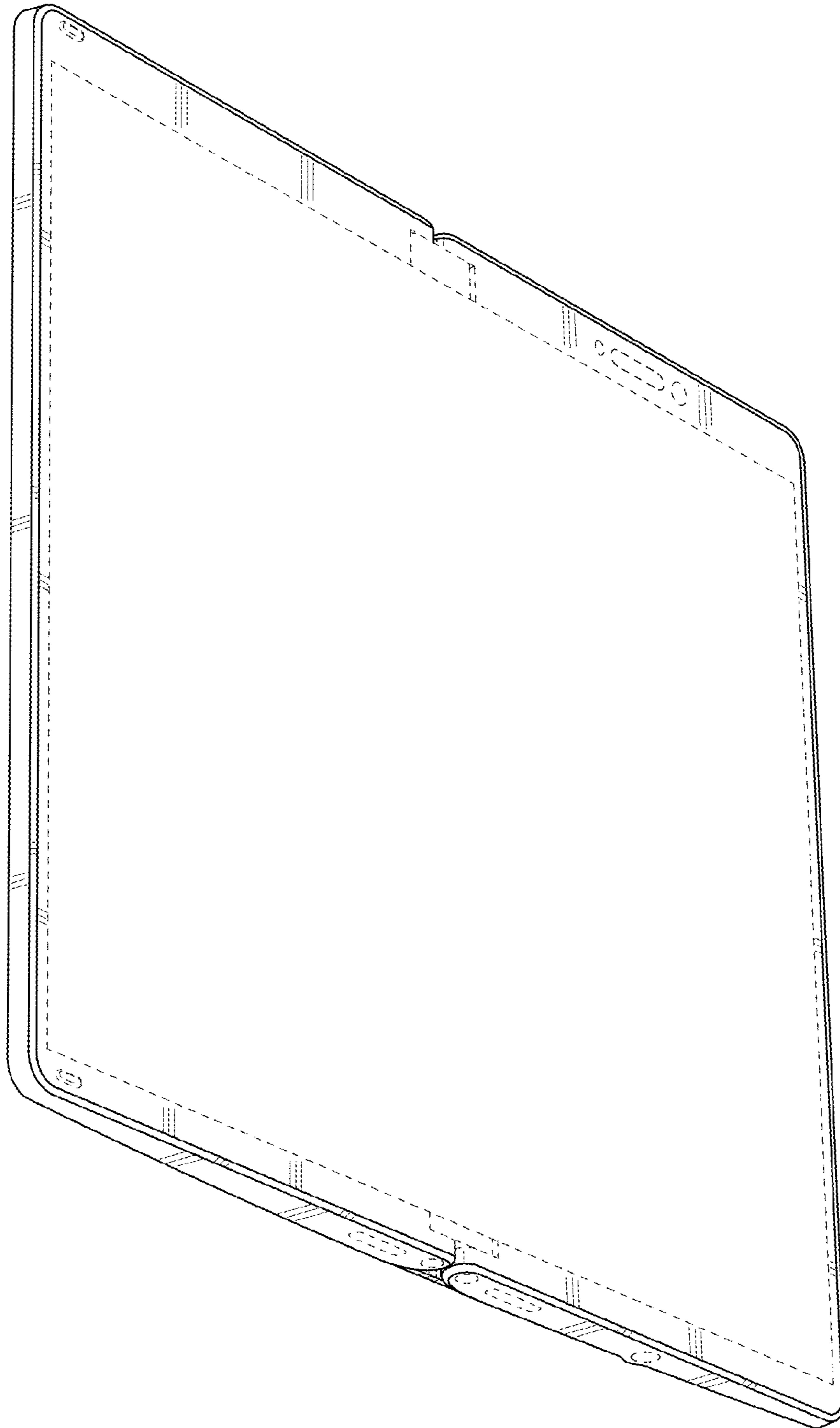




FIG. 10

