



US00D749569S

(12) **United States Design Patent**
Ji et al.

(10) **Patent No.:** **US D749,569 S**
(45) **Date of Patent:** **** Feb. 16, 2016**

(54) **MOBILE PHONE**

(71) Applicant: **LG Electronics Inc.**, Seoul (KR)

(72) Inventors: **Seunghyun Ji**, Seoul (KR); **Hyunwoo Yoo**, Seoul (KR)

(73) Assignee: **LG Electronics Inc.**, Seoul (KR)

(**) Term: **14 Years**

(21) Appl. No.: **29/497,061**

(22) Filed: **Jul. 21, 2014**

(30) **Foreign Application Priority Data**

Jan. 22, 2014 (KR) 30-2014-0003506

(51) **LOC (10) Cl.** **14-02**

(52) **U.S. Cl.**
USPC **D14/344**; D14/138 R; D10/38

(58) **Field of Classification Search**
USPC D14/140, 137, 138 R, 138 AB, 139, 144,
D14/155, 167, 191, 192, 203.1, 203.3,
D14/203.4, 203.5, 203.7, 248, 226, 218,
D14/240, 344, 440, 341, 346, 448, 450,
D14/496; D10/30-32, 37-39, 65, 70, 77,
D10/78, 98, 104.1, 104.2, 125; D11/3-5,
D11/12, 19, 25; D13/168; D3/215;
D15/199; 381/364, 151; 379/433.1;
455/575.1, 575.3, 575.4, 575.6, 556.1,
455/556.2, 558, 90.3; 368/10, 13, 69, 223,
368/281, 282, 294, 295, 296; D21/329,
D21/513; D24/167, 186
CPC H04B 1/03; H04B 1/385; G04G 9/00;
G04G 17/00; G04G 17/04; G04G 17/06;
G04G 17/083; H04M 1/0227; H04M 1/03;
H04M 1/04

See application file for complete search history.

(56) **References Cited**

U.S. PATENT DOCUMENTS

D103,455 S * 3/1937 Katz D10/38
D236,592 S * 9/1975 Portmann D10/32
D238,758 S * 2/1976 Schulthess D10/38
D249,024 S * 8/1978 Ackerman D10/30
4,419,770 A * 12/1983 Yagi et al. 455/301

(Continued)

OTHER PUBLICATIONS

12 Star Trek gadgets that became reality. slipperybrick.com (online)
1 pg. Uploaded: Jan. 29, 2008 [retrieved on Jun. 22, 2015]. Retrieved
from Internet: <<http://www.slipperybrick.com/2008/01/star-trek-gadgets/>>.*

Primary Examiner — Susan Bennett Hattan

Assistant Examiner — Marie Fast Horse

(74) *Attorney, Agent, or Firm* — Morgan, Lewis & Bockius LLP

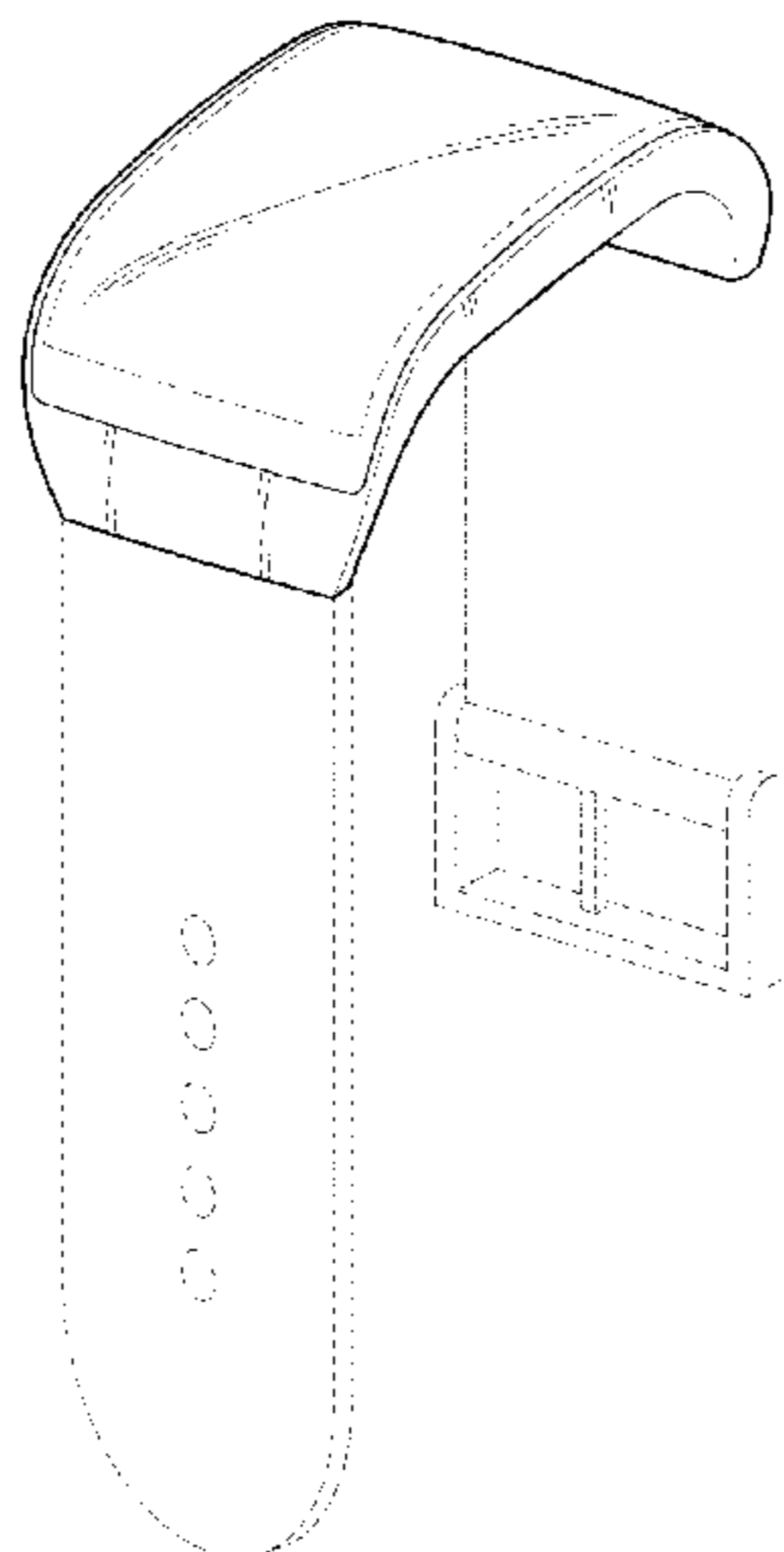
(57) **CLAIM**

The ornamental design for a mobile phone, as shown and described.

DESCRIPTION

FIG. 1 is a perspective view of a mobile phone showing our new design;
FIG. 2 is a front view thereof;
FIG. 3 is a rear view thereof;
FIG. 4 is a left side view thereof where the right side view is a mirror image;
FIG. 5 is a top plan view thereof; and,
FIG. 6 is a bottom plan view thereof.
The broken lines depict parts of the mobile phone that form no part of the claimed design.

1 Claim, 5 Drawing Sheets



(56)

References Cited

U.S. PATENT DOCUMENTS

D279,671 S *	7/1985	Stanton	D14/192	D665,952 S *	8/2012	Guo	D30/152
D296,675 S *	7/1988	Jones et al.	D10/31	D679,199 S *	4/2013	Mille	D10/39
D296,993 S *	8/1988	Givings	D10/32	D709,476 S *	7/2014	Park et al.	D14/138 R
D297,312 S *	8/1988	Ishizaka	D10/32	D719,123 S *	12/2014	Park et al.	D14/138 R
D299,028 S *	12/1988	Hermann	D14/344	D720,074 S *	12/2014	Suvilaakso et al.	D24/167
D299,463 S *	1/1989	Hermann	D14/344	D725,068 S *	3/2015	Cho et al.	D14/138 R
5,235,560 A *	8/1993	Seager	368/10	D726,140 S *	4/2015	Park et al.	D14/138 R
D383,073 S *	9/1997	Miller	D10/31	D727,188 S *	4/2015	Sullivan et al.	D10/98
D399,433 S *	10/1998	Bruce et al.	D10/30	D727,195 S *	4/2015	Wanliss-Orlebar et al.	D11/3
D410,854 S *	6/1999	Cheung et al.	D10/39	D727,759 S *	4/2015	Martinez et al.	D10/70
D488,391 S *	4/2004	Kume	D10/32	D729,238 S *	5/2015	Song	D14/344
D496,590 S *	9/2004	Chung et al.	D10/31	D730,210 S *	5/2015	Song	D10/70
D539,670 S *	4/2007	Behling	D10/32	D730,348 S *	5/2015	Grifoni	D14/344
D543,192 S *	5/2007	Jung	D14/138 R	2006/0202618 A1 *	9/2006	Ishii et al.	313/513
D568,768 S *	5/2008	Tang	D10/30	2006/0203621 A1 *	9/2006	Brodmann	368/281
D589,375 S *	3/2009	Tang	D10/32	2009/0201767 A1 *	8/2009	Caldwell	368/10
D610,476 S *	2/2010	Daniel	D10/65	2013/0211204 A1 *	8/2013	Caduff et al.	600/300
7,828,697 B1 *	11/2010	Oberrieder et al.	482/8	2013/0261405 A1 *	10/2013	Lee et al.	600/301
D636,686 S *	4/2011	Cobbett et al.	D10/38	2014/0295918 A1 *	10/2014	Grifoni et al.	455/566
					2015/0063075 A1 *	3/2015	Baek et al.	368/10
					2015/0099472 A1 *	4/2015	Ickovic	455/66.1

* cited by examiner

FIG. 1

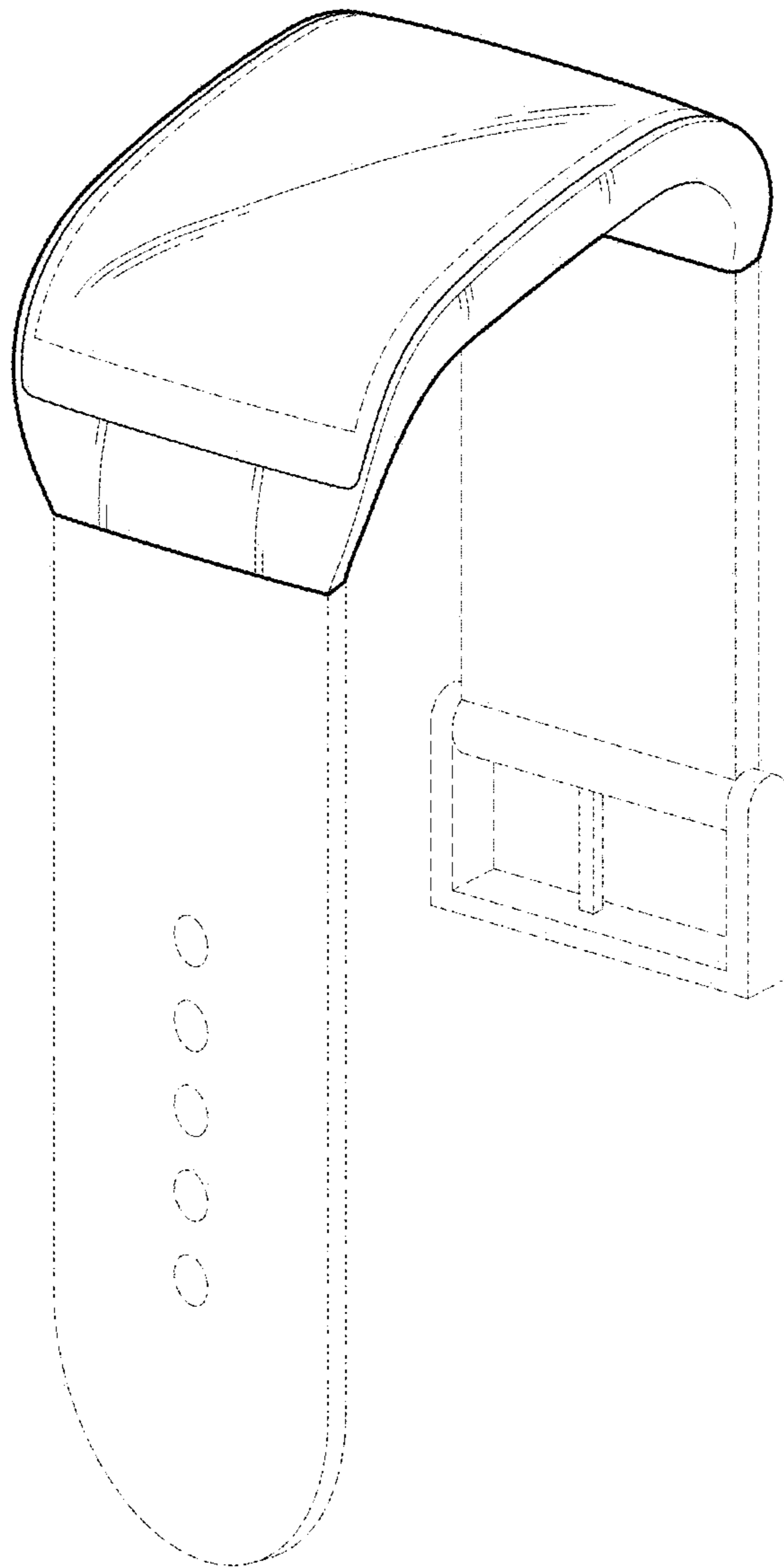


FIG. 2

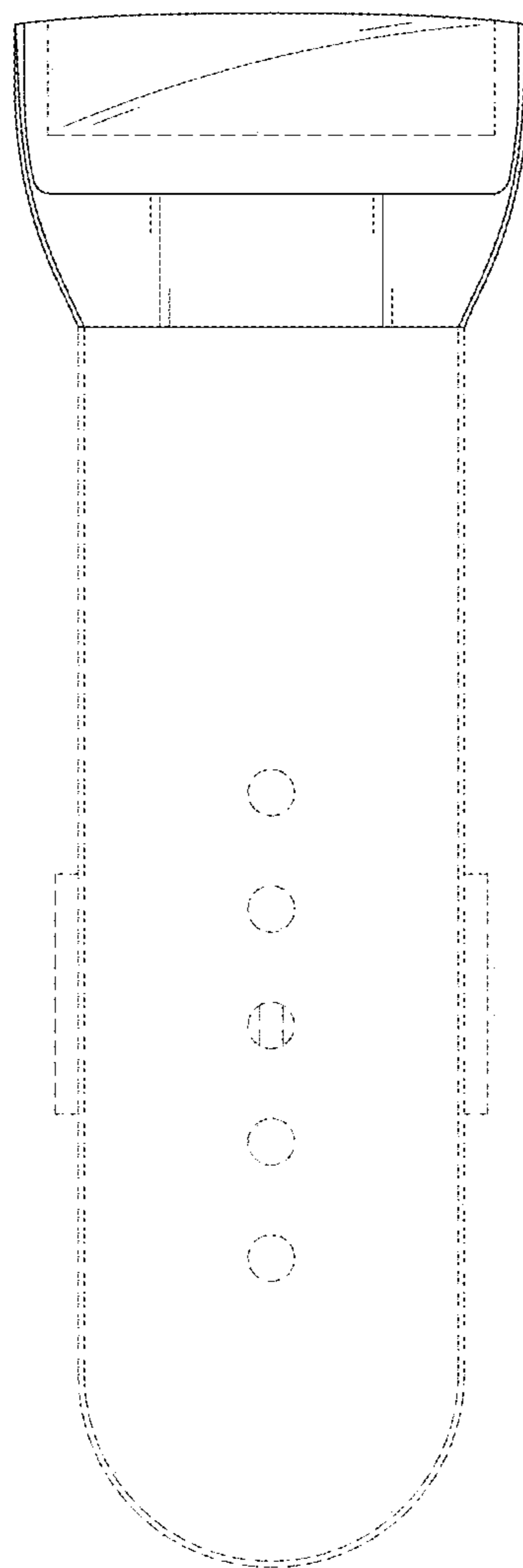


FIG. 3

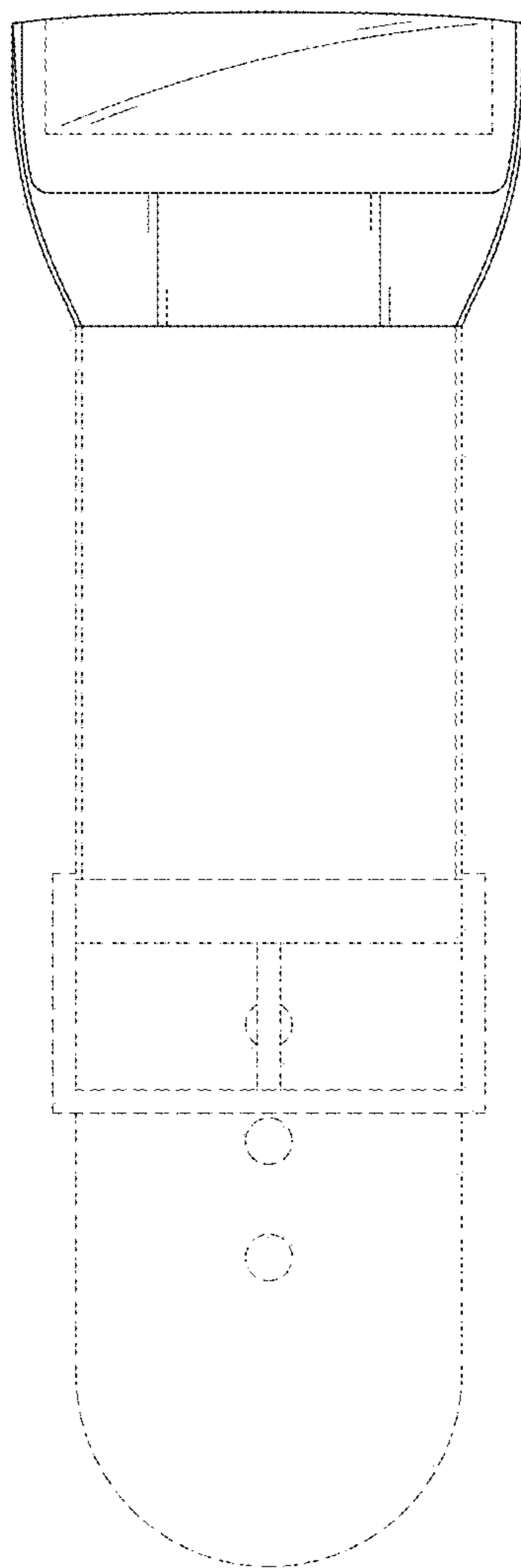


FIG. 4

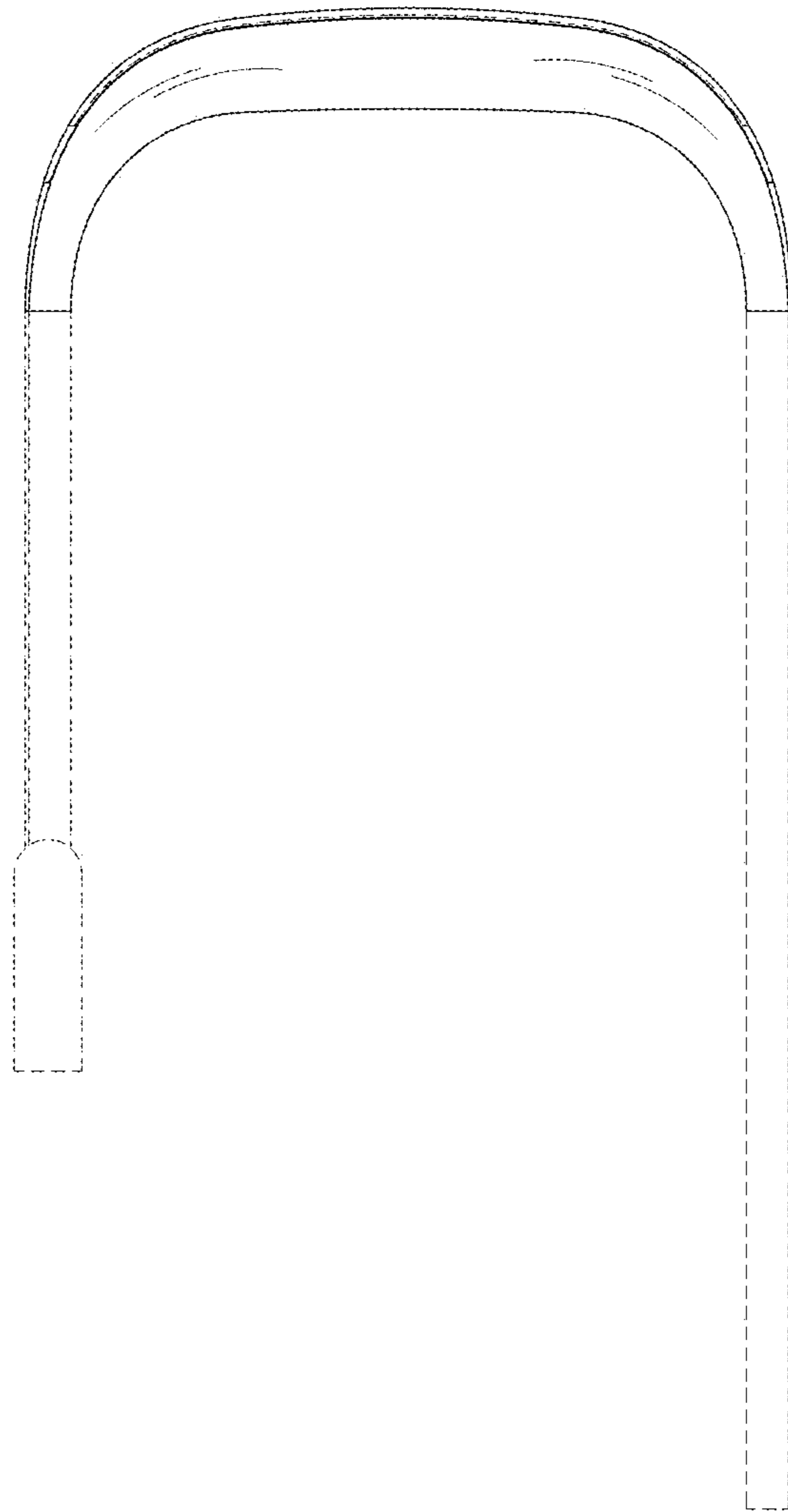


FIG. 5

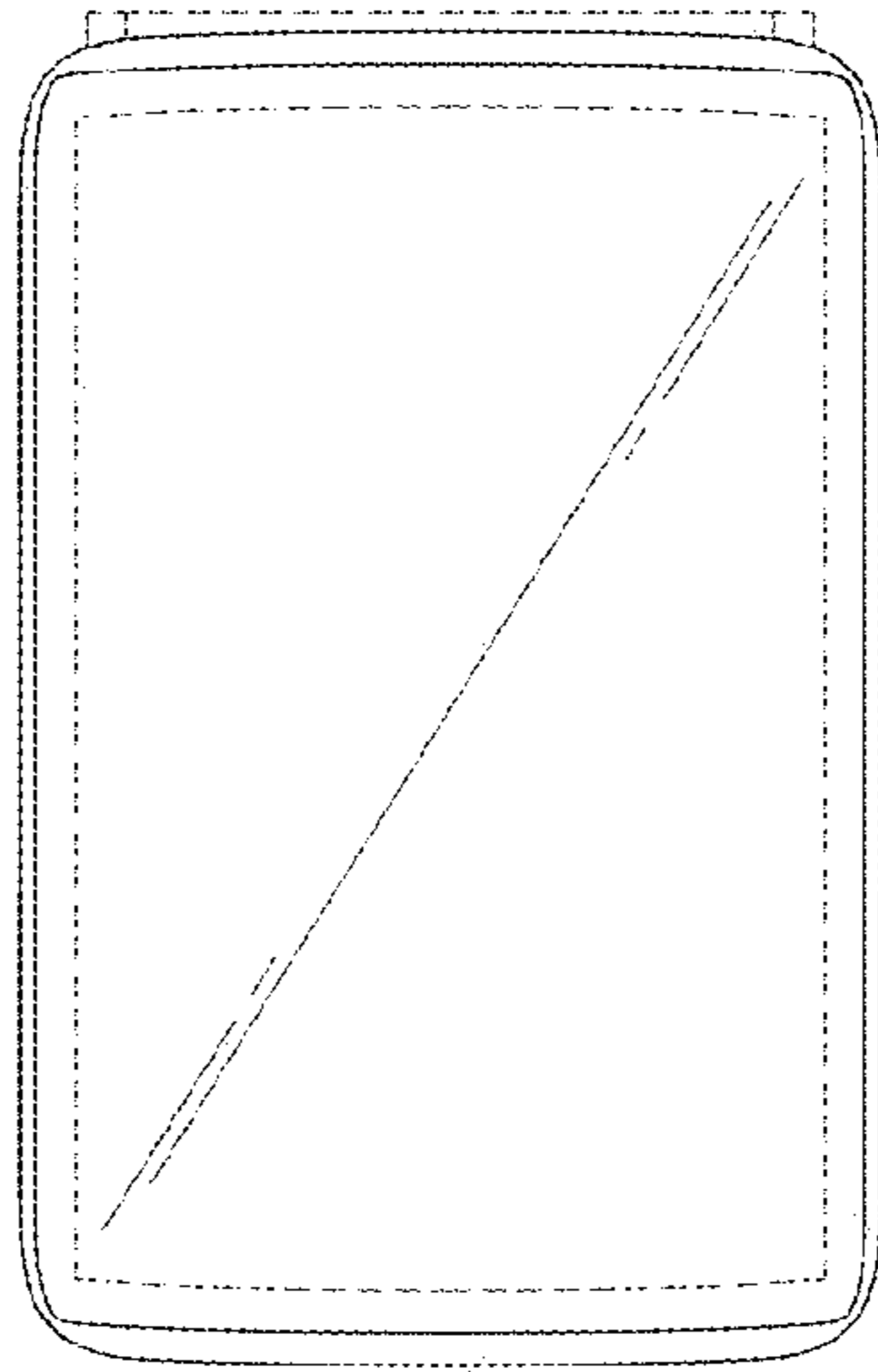


FIG. 6

