



US00D749564S

(12) **United States Design Patent**  
**Cho et al.**

(10) **Patent No.:** **US D749,564 S**  
(45) **Date of Patent:** **\*\* Feb. 16, 2016**

- (54) **PORTABLE ELECTRONIC DEVICE**
- (71) Applicant: **Samsung Electronics Co., Ltd.**,  
Suwon-si, Gyeonggi-do (KR)
- (72) Inventors: **Chulyong Cho**, Seoul (KR); **Min Hee Lee**, Seoul (KR); **Min Joon Jung**, Seoul (KR); **Kyoung Hoon Kim**, Seongnam-si (KR)
- (73) Assignee: **SAMSUNG ELECTRONICS CO., LTD.** (KR)
- (\*\*) Term: **14 Years**
- (21) Appl. No.: **29/497,820**
- (22) Filed: **Jul. 29, 2014**
- (30) **Foreign Application Priority Data**

Jan. 29, 2014 (KR) ..... 30-2014-0005054

- (51) **LOC (10) Cl.** ..... **14-02**
- (52) **U.S. Cl.**  
USPC ..... **D14/341**
- (58) **Field of Classification Search**  
USPC ..... D14/341, 342, 336, 126, 129, 374, 375,  
D14/390, 315, 203.5; D6/314, 406.3, 406.6;  
D7/550.1, 553.2, 553.3; D19/113;  
361/679.55, 679.56, 679.01; 40/745;  
248/121, 126  
CPC ..... G06F 1/16  
See application file for complete search history.

(56) **References Cited**

**U.S. PATENT DOCUMENTS**

- 2,434,860 A \* 1/1948 Oxley ..... A47G 1/141  
248/444.1
- 3,914,888 A \* 10/1975 Garrison ..... G09F 1/10  
40/658
- D272,547 S \* 2/1984 Gordon ..... D19/91
- D276,732 S \* 12/1984 Marquez ..... D19/113
- D278,109 S \* 3/1985 Leeds ..... D19/91
- D284,084 S \* 6/1986 Ferrara, Jr. .... D14/389
- D290,702 S \* 7/1987 Stern ..... D14/375

- D307,134 S \* 4/1990 Makidera ..... D14/342
- 4,927,986 A \* 5/1990 Daly ..... G06F 1/1626  
178/19.01
- 4,988,836 A \* 1/1991 Murray ..... G06F 3/041  
174/18.03
- 5,180,891 A \* 1/1993 Trumbo ..... G06F 3/041  
178/19.01
- D333,814 S \* 3/1993 Swanson ..... D14/390
- D370,355 S \* 6/1996 Kenney ..... D6/310
- 5,703,626 A \* 12/1997 Itoh ..... G06F 1/1626  
178/19.01
- D408,383 S \* 4/1999 Carter ..... D14/126
- 6,067,082 A \* 5/2000 Enmei ..... G06F 1/1626  
178/18.01
- 6,129,430 A \* 10/2000 Wu ..... G06F 1/1616  
178/19.01
- D439,901 S \* 4/2001 Ono ..... D14/375
- D467,897 S \* 12/2002 Lin ..... D14/211
- 6,717,798 B2 \* 4/2004 Bell ..... A47G 1/142  
312/223.1
- 6,781,820 B2 \* 8/2004 Cheng ..... G06F 1/1601  
248/917
- D504,889 S \* 5/2005 Andre ..... D14/341

(Continued)

*Primary Examiner* — Paula Greene

(74) *Attorney, Agent, or Firm* — Cantor Colburn LLP

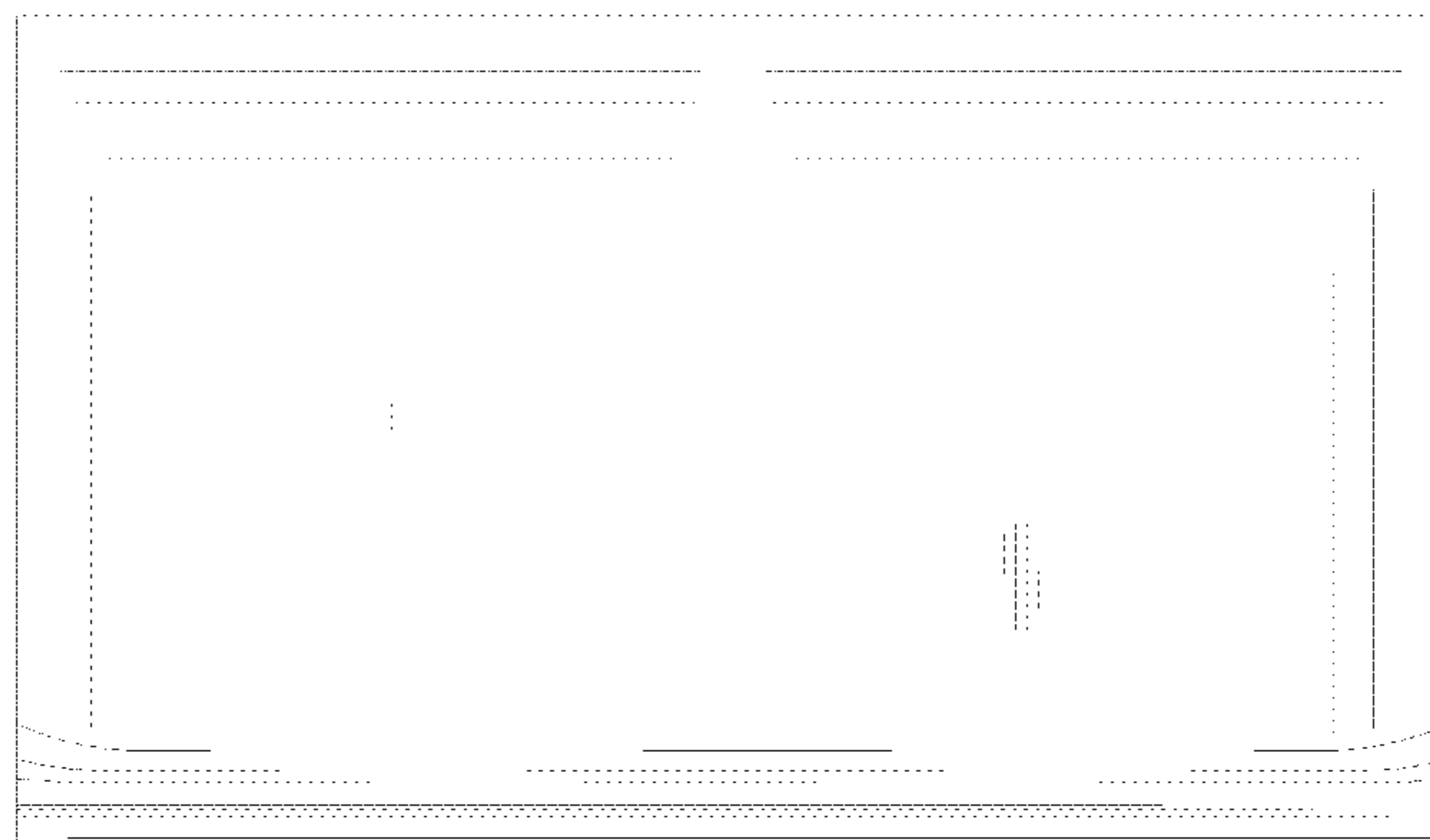
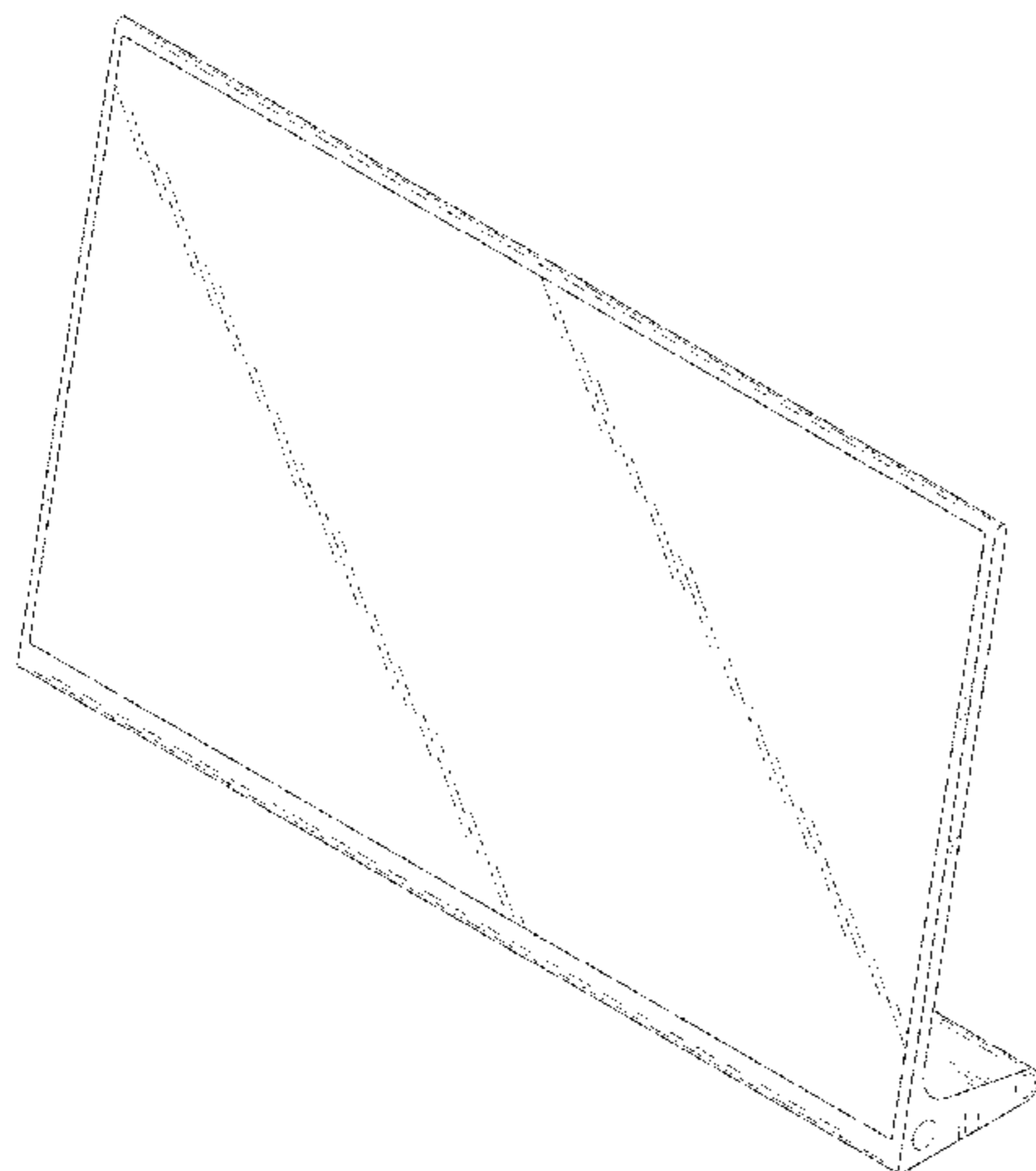
(57) **CLAIM**

We claim, the ornamental design for a portable electronic device, as shown and described.

**DESCRIPTION**

FIG. 1 is a front perspective view of a portable electronic device showing our new design;  
 FIG. 2 is a front view thereof;  
 FIG. 3 is a rear view thereof;  
 FIG. 4 is a side view thereof;  
 FIG. 5 is another side view thereof;  
 FIG. 6 is a top-side plan view thereof;  
 FIG. 7 is a bottom-side plan view thereof;  
 FIG. 8 is a perspective view thereof, as shown in a device environment;  
 FIG. 9 is another perspective view thereof, as shown in a device environment; and,  
 FIG. 10 is a rear perspective view thereof.  
 The broken lines in the drawing show unclaimed environment only and form no part of the claimed design.

**1 Claim, 10 Drawing Sheets**



(56)

**References Cited**

U.S. PATENT DOCUMENTS

D524,312 S \* 7/2006 Young ..... D14/375  
 D547,739 S \* 7/2007 Lewis ..... D14/126  
 D556,707 S \* 12/2007 Fujii ..... D14/126  
 D562,320 S \* 2/2008 Kim ..... D14/375  
 D573,958 S \* 7/2008 Shih ..... D14/126  
 D606,071 S \* 12/2009 Wu ..... D14/336  
 D611,467 S \* 3/2010 Gou ..... D14/315  
 7,796,382 B1 \* 9/2010 Li ..... H04M 1/026  
 178/19.01  
 D630,636 S \* 1/2011 Jeon ..... D14/374  
 D659,693 S \* 5/2012 Termeer ..... D14/342  
 D661,266 S \* 6/2012 Laube ..... D14/126  
 D687,825 S \* 8/2013 Lee ..... D14/341

8,605,429 B2 \* 12/2013 Shen ..... F16M 11/105  
 248/371  
 8,605,433 B2 \* 12/2013 Chiang ..... F16M 11/10  
 361/679.59  
 D704,702 S \* 5/2014 Akana ..... D14/341  
 8,817,466 B2 \* 8/2014 Xie ..... G06F 1/1626  
 178/19.01  
 D712,399 S \* 9/2014 Sohn ..... D14/336  
 D712,867 S \* 9/2014 Vats ..... D14/138 AB  
 D728,559 S \* 5/2015 Lim ..... D14/341  
 D728,560 S \* 5/2015 Seoc ..... D14/341  
 2002/0135974 A1 \* 9/2002 Bell ..... A47G 1/142  
 361/679.41  
 2006/0109617 A1 \* 5/2006 Chen ..... G06F 1/1626  
 361/679.55  
 2014/0140000 A1 \* 5/2014 Ooe ..... G06F 1/1677  
 361/679.56

\* cited by examiner

Fig. 1

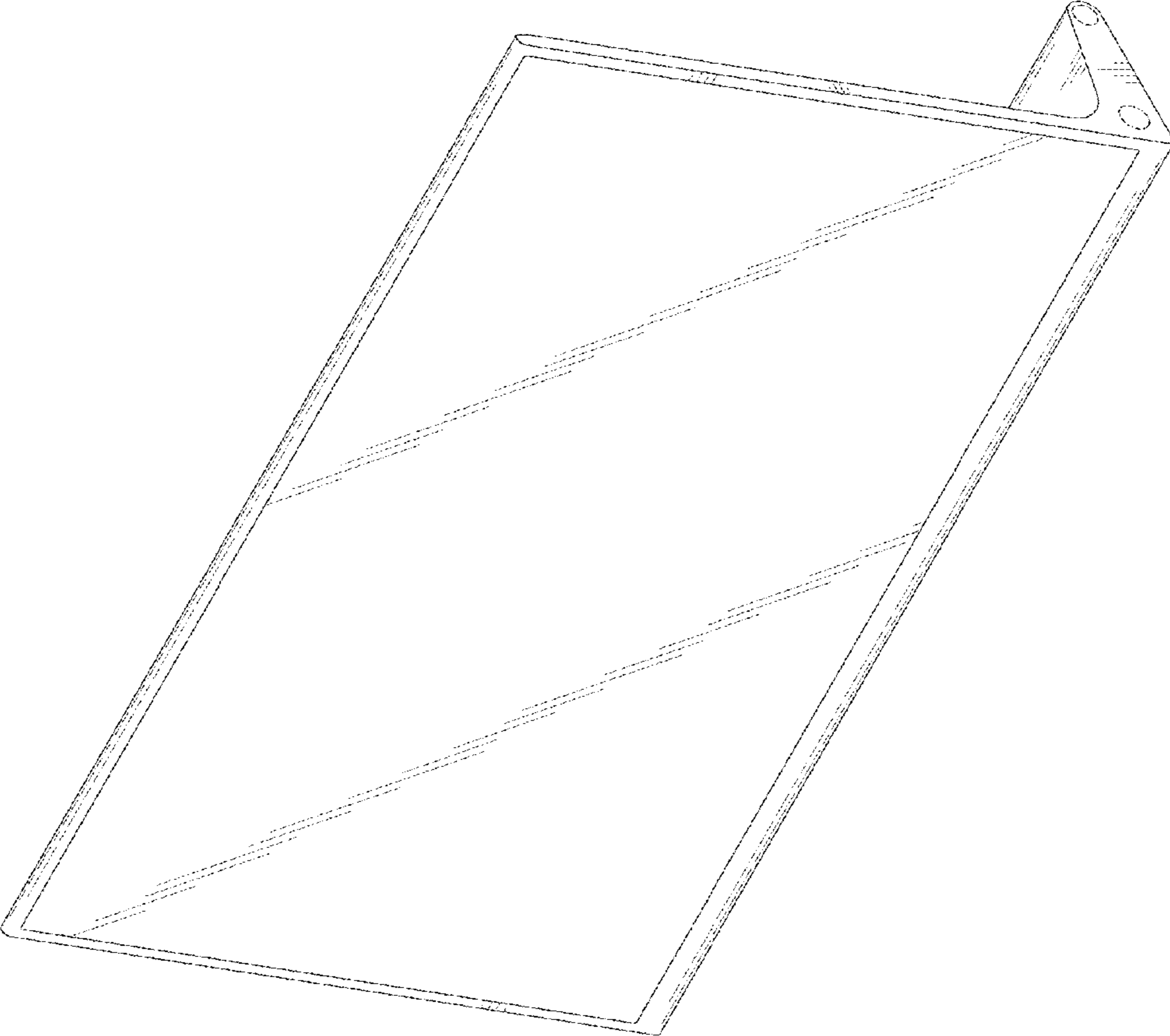


Fig. 2

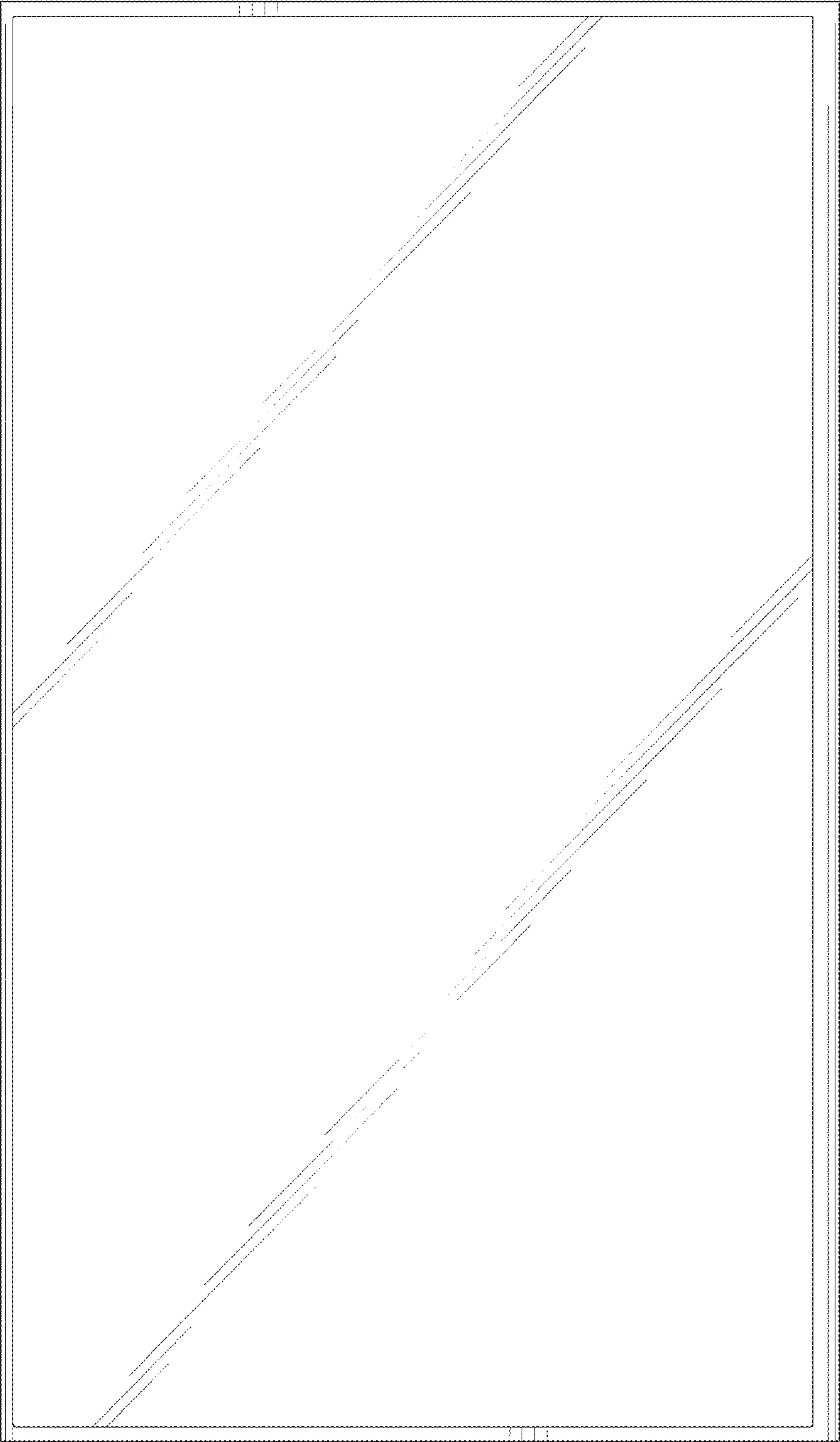


Fig. 3

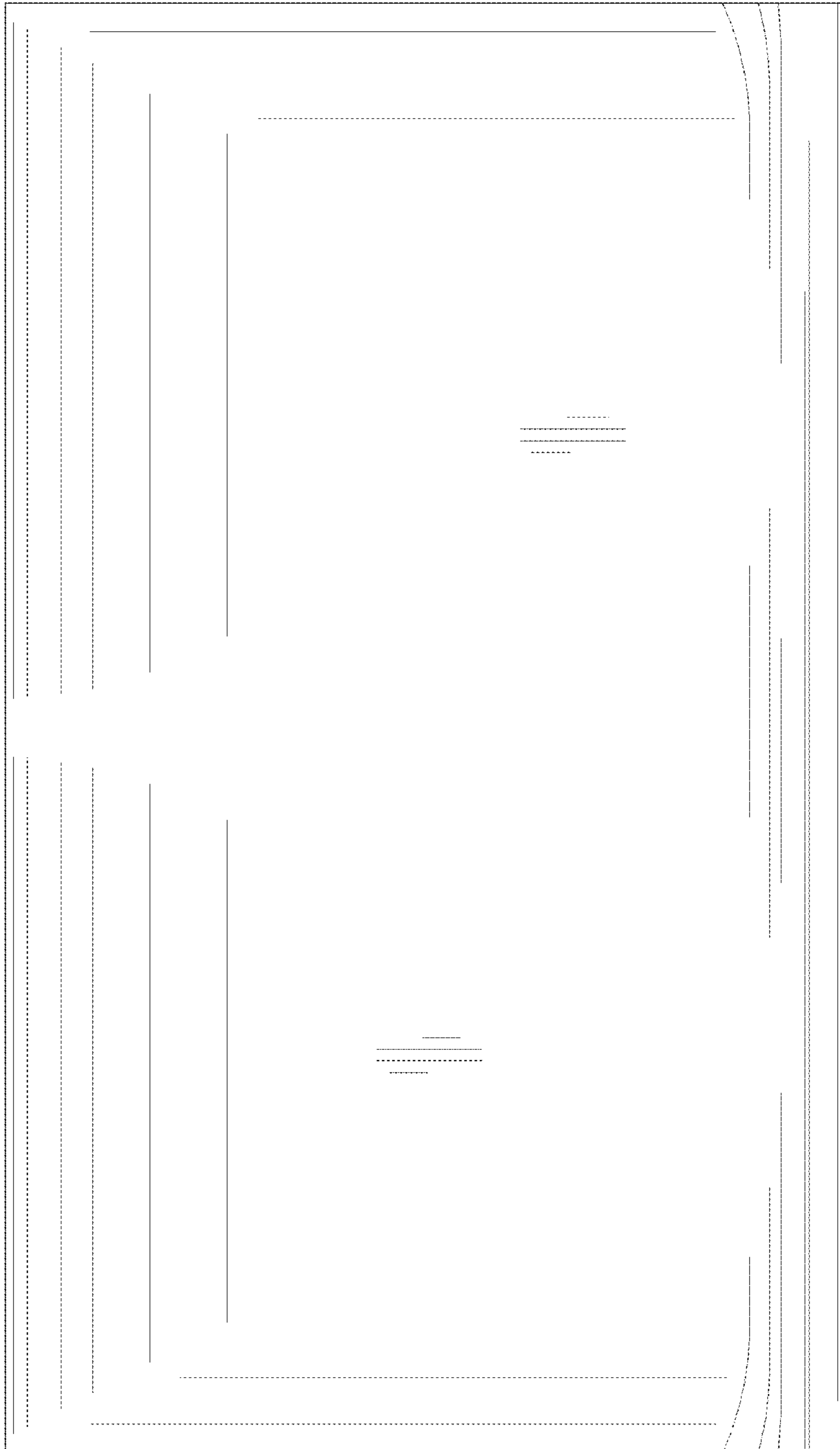
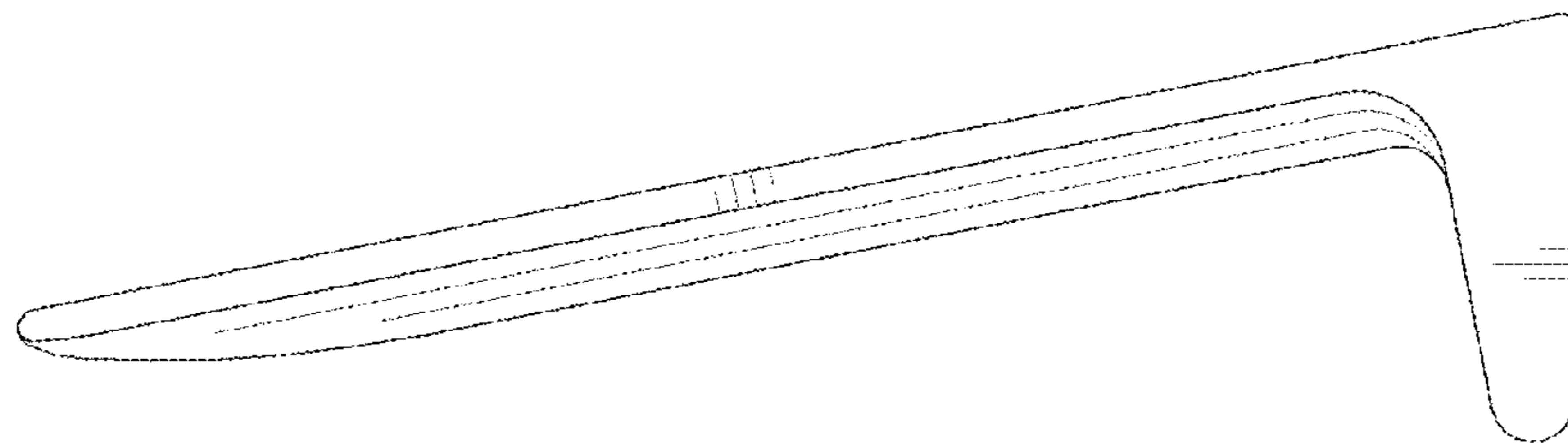
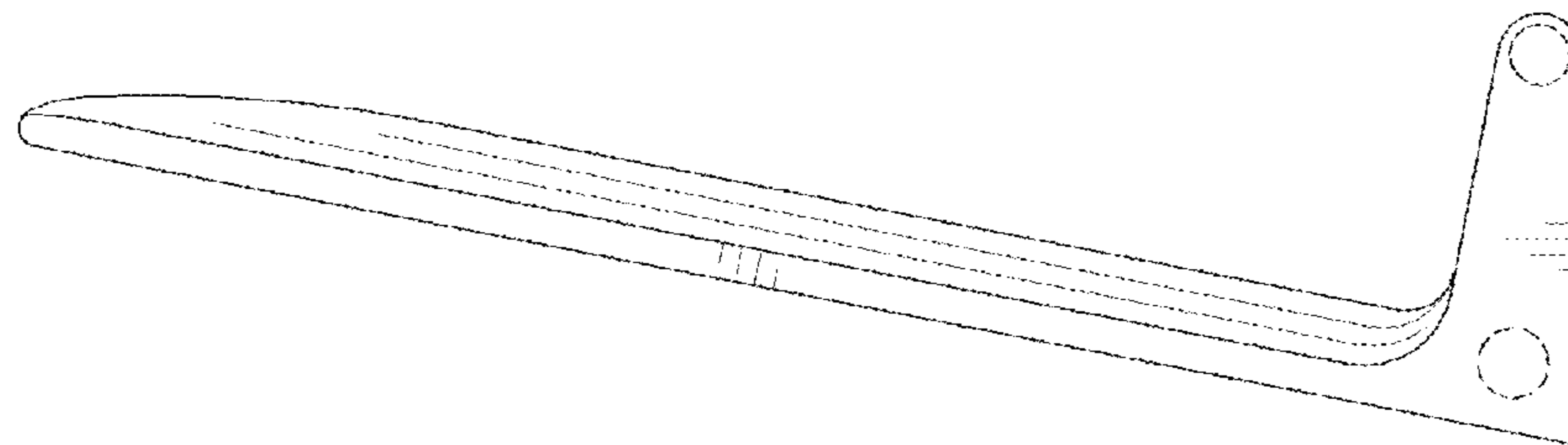


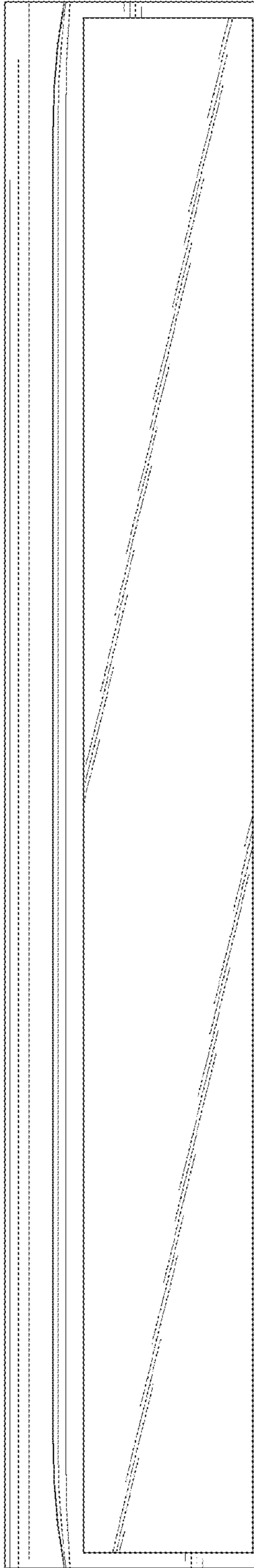
Fig. 4



**Fig. 5**



**Fig. 6**





**Fig. 7**

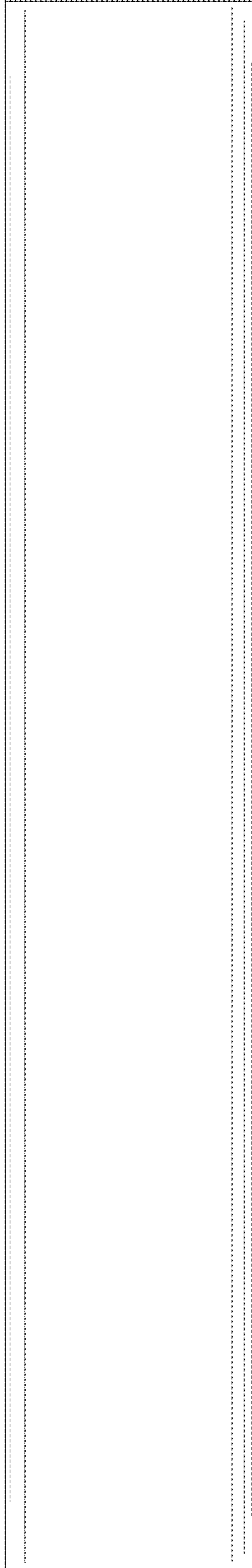


Fig. 8

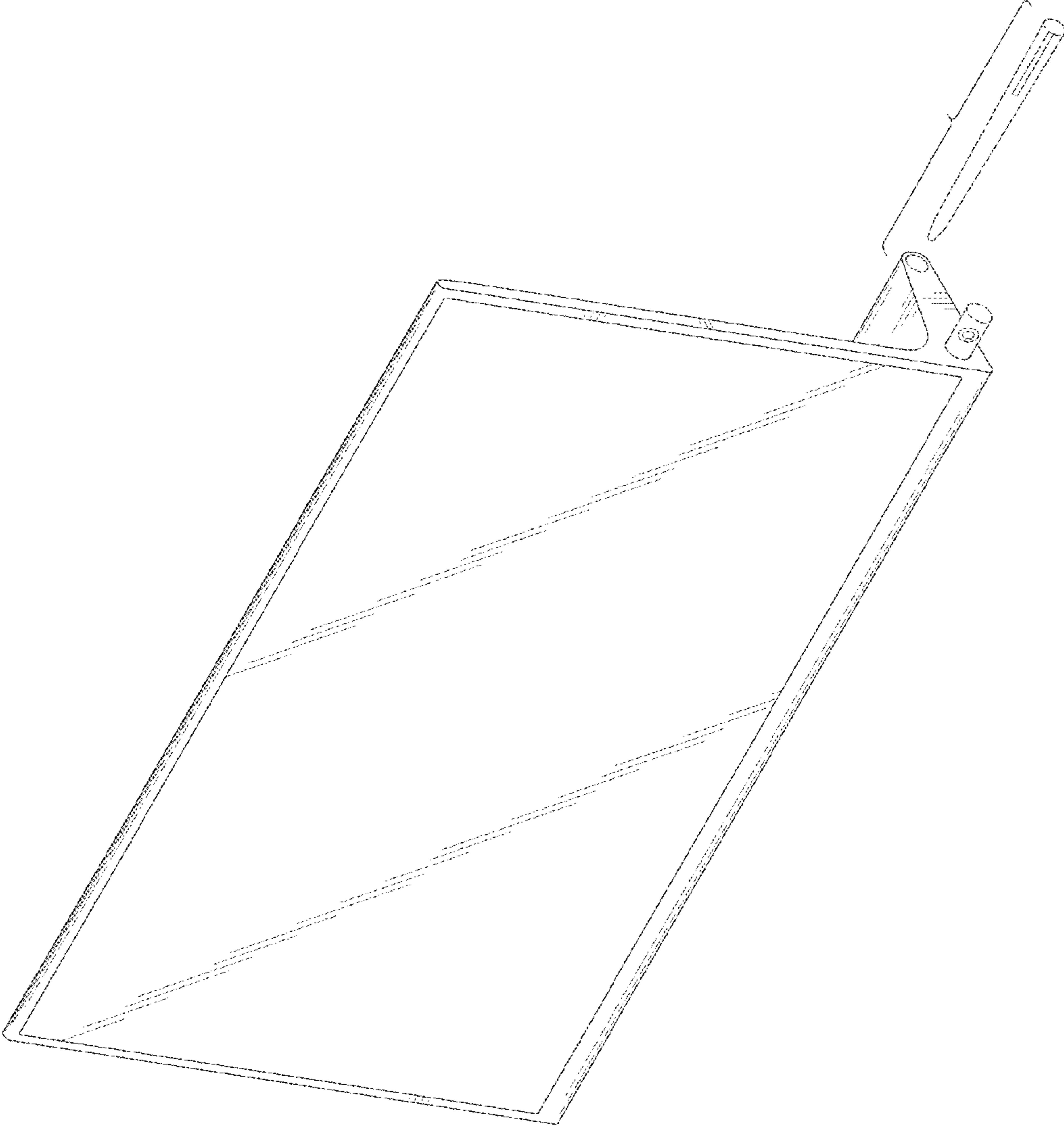


Fig. 9

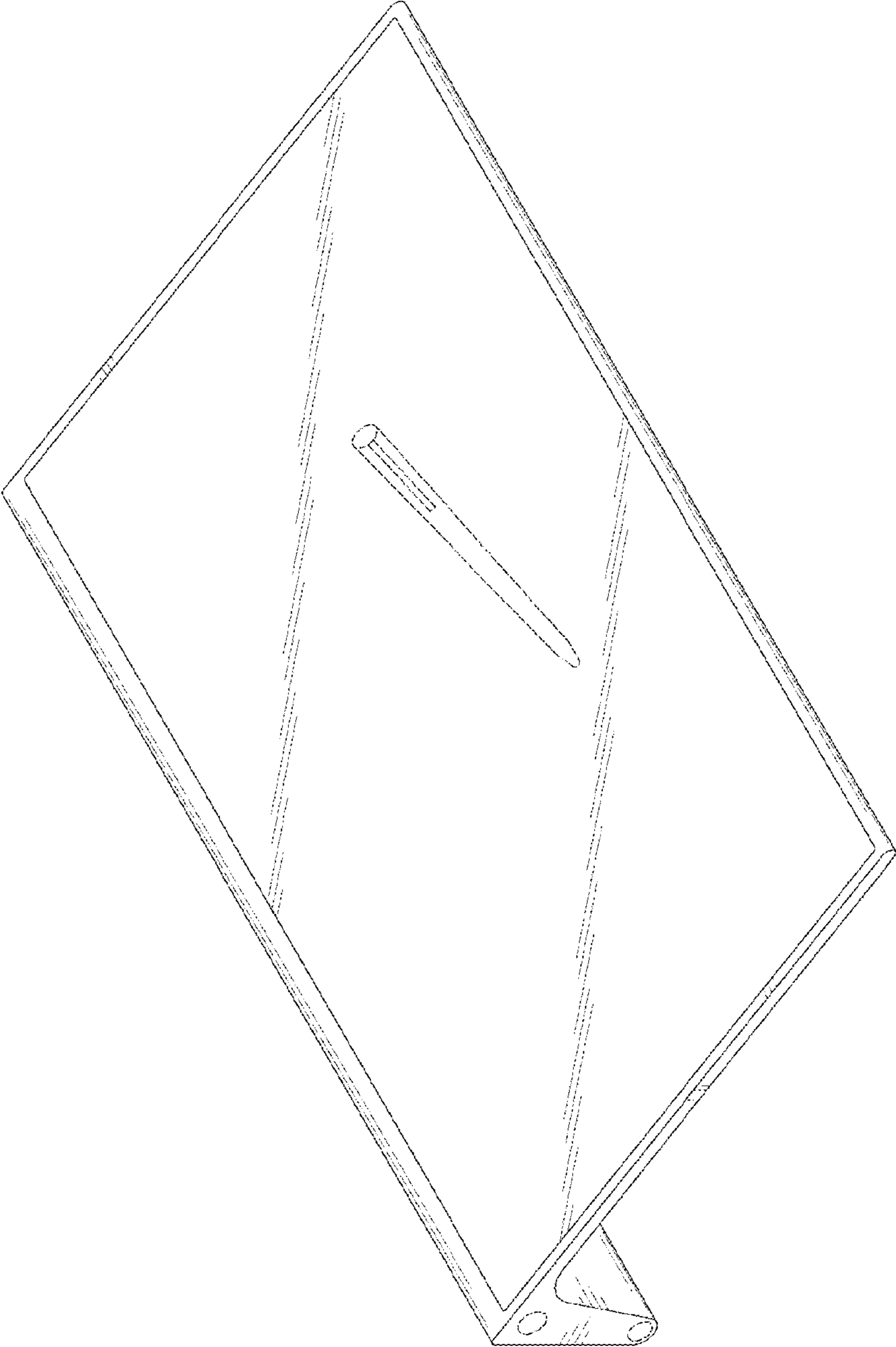


Fig. 10

