



US00D749558S

(12) **United States Design Patent**  
**Nielsen**

(10) **Patent No.:** **US D749,558 S**

(45) **Date of Patent:** **\*\* Feb. 16, 2016**

(54) **PERSONAL DIGITAL DEVICE MOUNT WITH HOLDER**

(71) Applicant: **Corey David Nielsen**, Longmont, CO (US)

(72) Inventor: **Corey David Nielsen**, Longmont, CO (US)

(\*\*) Term: **14 Years**

(21) Appl. No.: **29/452,094**

(22) Filed: **Apr. 11, 2013**

(51) **LOC (10) Cl.** ..... **14-03**

(52) **U.S. Cl.**  
USPC ..... **D14/251**

(58) **Field of Classification Search**  
USPC ..... D3/218; D6/512; D14/140, 142, 144, D14/203.8, 238.1, 240, 251, 252, 253, 256, D14/432, 433, 434; D16/242, 243, 244, D16/245; 248/688, 689; 361/807, 825  
See application file for complete search history.

(56) **References Cited**

**U.S. PATENT DOCUMENTS**

D669,890 S	*	10/2012	Hopkins et al.	.....	D14/251
D689,853 S	*	9/2013	Smith	.....	D14/253
D697,515 S	*	1/2014	Adelman et al.	.....	D14/447
D717,804 S	*	11/2014	Budge	.....	D14/447
D719,144 S	*	12/2014	Eulette	.....	D14/250
D719,951 S	*	12/2014	Fenton	.....	D14/253

**OTHER PUBLICATIONS**

Underwater Light Arms for Video, Loc-Line TM, <http://www.loc-line.com/applications.html>, at least as early as Jan. 16, 2013.

\* cited by examiner

*Primary Examiner* — Susan Bennett Hattan

*Assistant Examiner* — Leanne Was

(74) *Attorney, Agent, or Firm* — Pedersen and Company, PLLC; Ken J. Pedersen; Barbara S. Pedersen

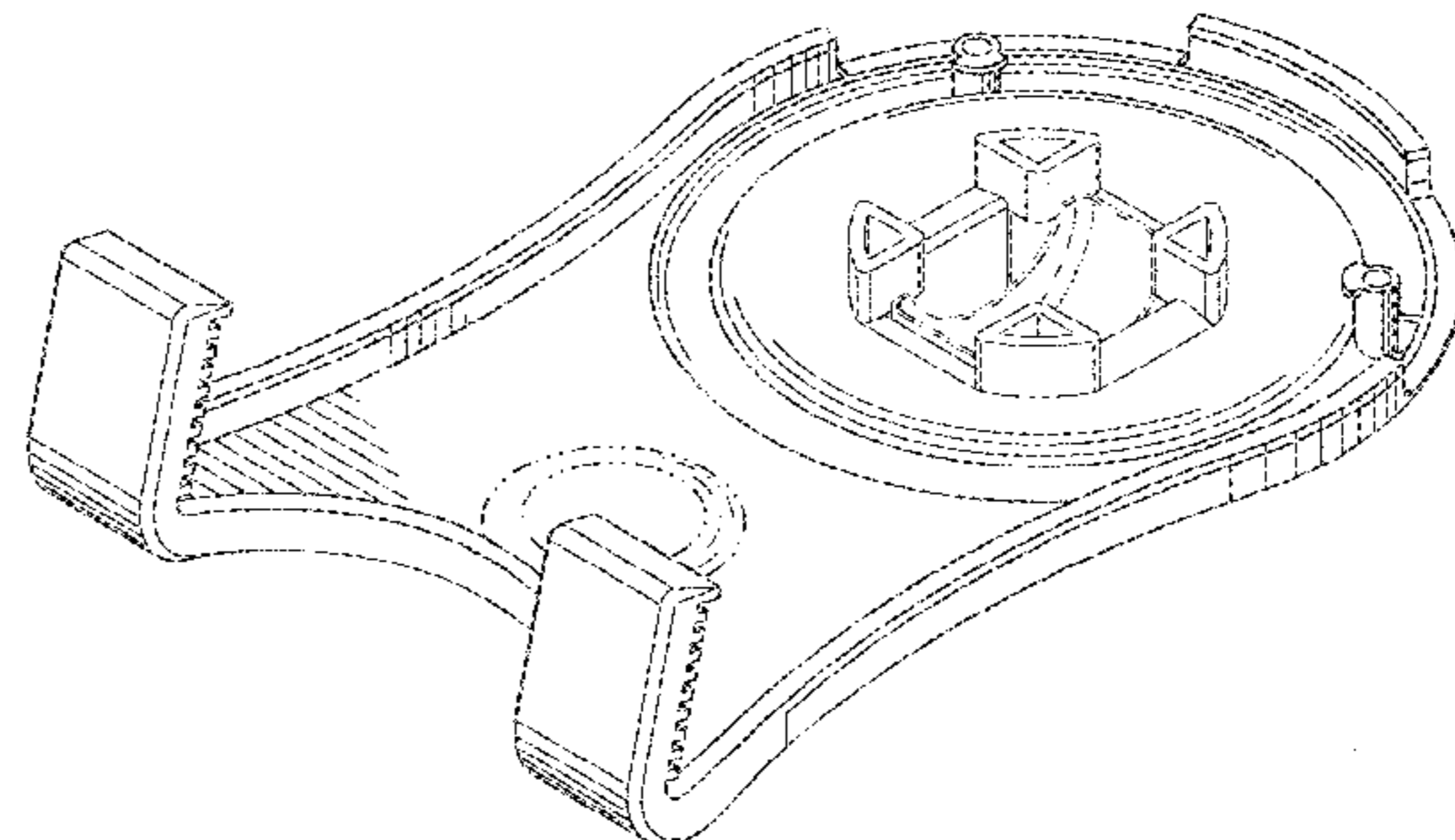
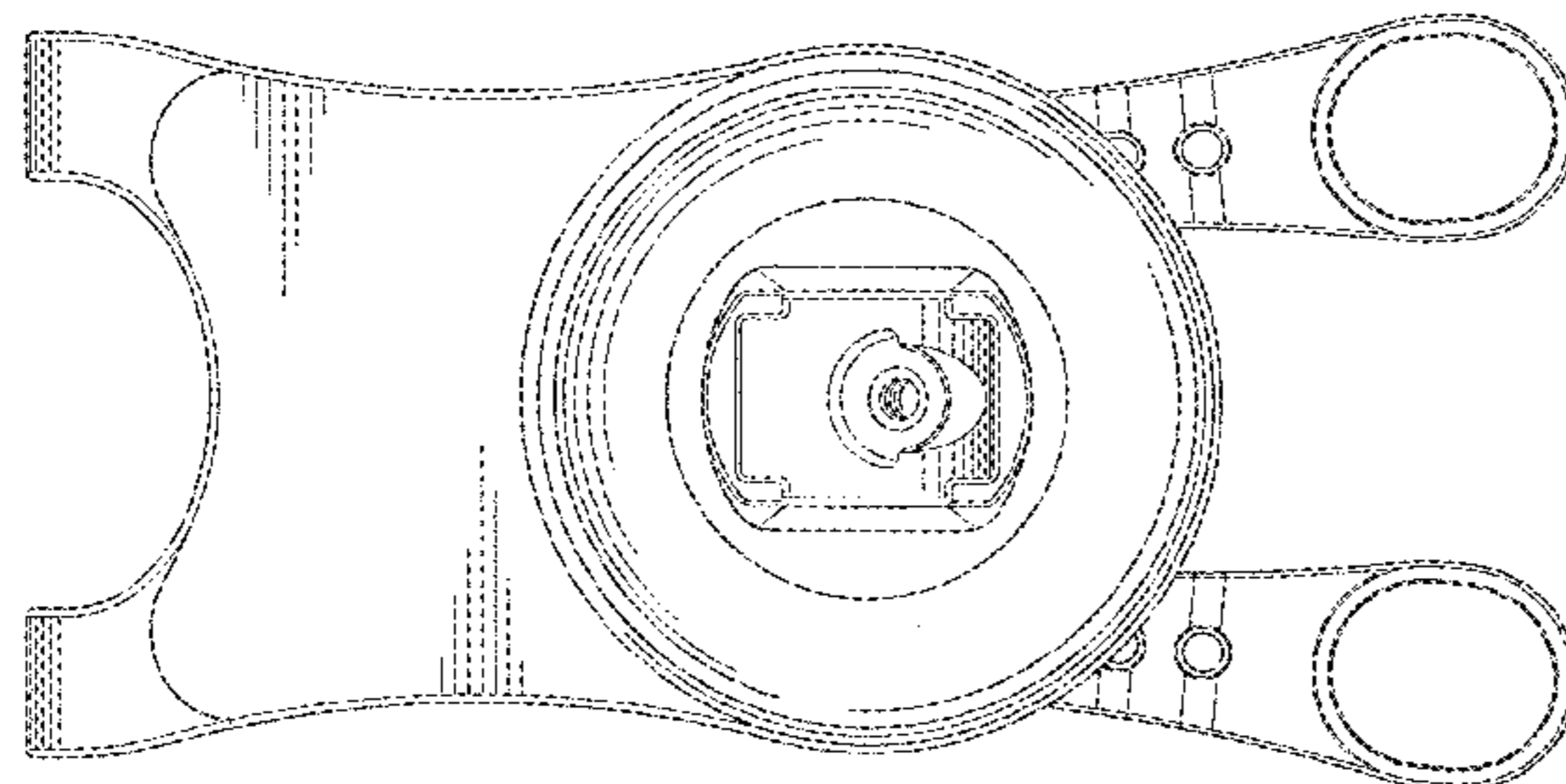
(57) **CLAIM**

The ornamental design for a personal digital device mount with holder, as shown and described.

**DESCRIPTION**

FIG. 1 is a front view of a personal digital device mount with holder showing the design.  
 FIG. 2 is a right side view thereof.  
 FIG. 3 is a left side view thereof.  
 FIG. 4 is a rear view thereof.  
 FIG. 5 is a bottom view thereof.  
 FIG. 6 is a top view thereof.  
 FIG. 7 is a front-right perspective view of the personal digital device mount with holder of FIGS. 1-6 with straps removed.  
 FIG. 8 is a front view of the personal digital device mount with holder of FIG. 7.  
 FIG. 9 is a right side view of the personal digital device mount with holder of FIG. 7.  
 FIG. 10 is a rear view of the personal digital device mount with holder of FIG. 7.  
 FIG. 11 is a left side view of the personal digital device mount with holder of FIG. 7.  
 FIG. 12 is a bottom view of the personal digital device mount with holder of FIG. 7; and,  
 FIG. 13 is a top view of the personal digital device mount with holder of FIG. 7.

**1 Claim, 4 Drawing Sheets**



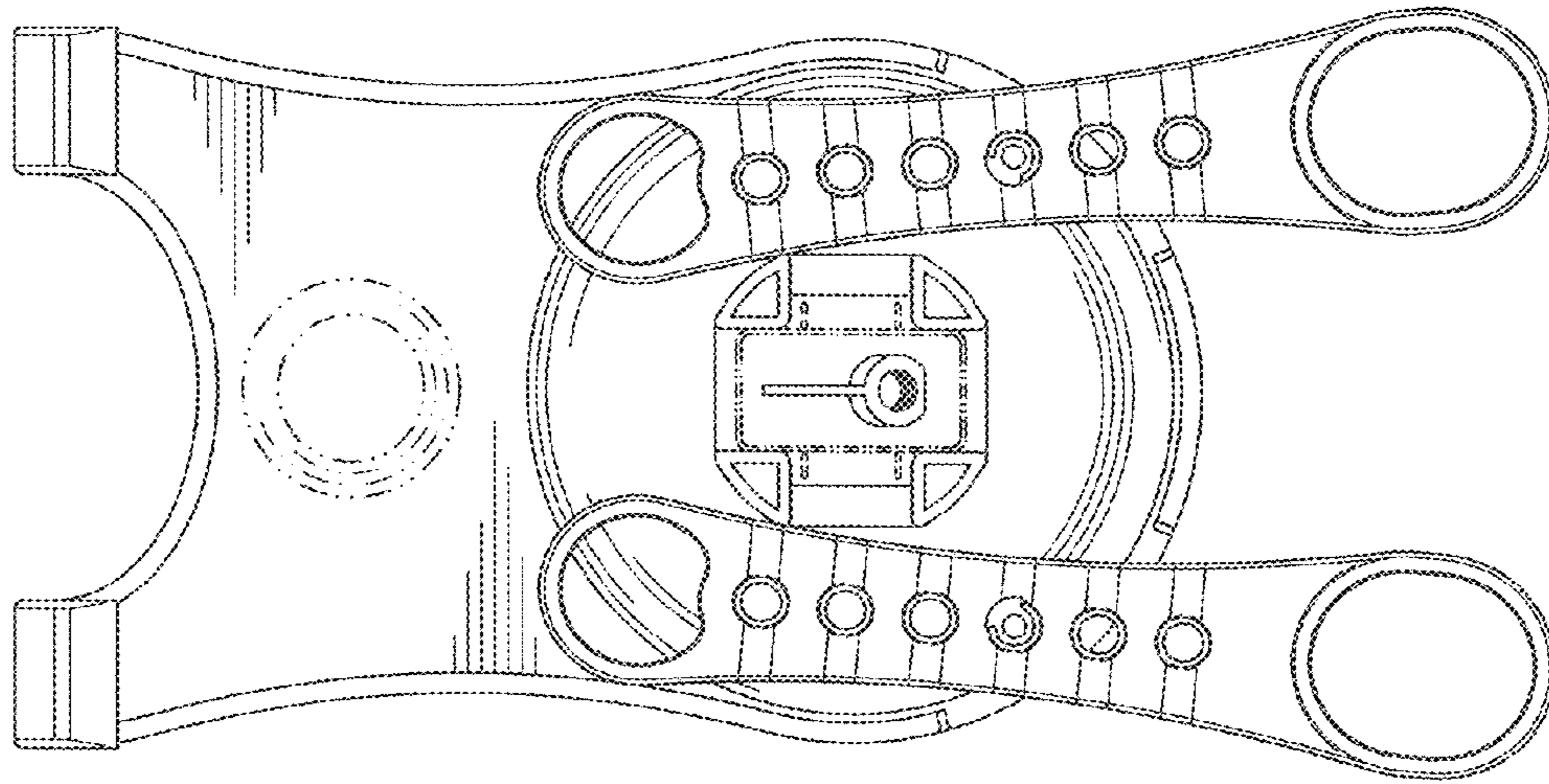


Fig. 1

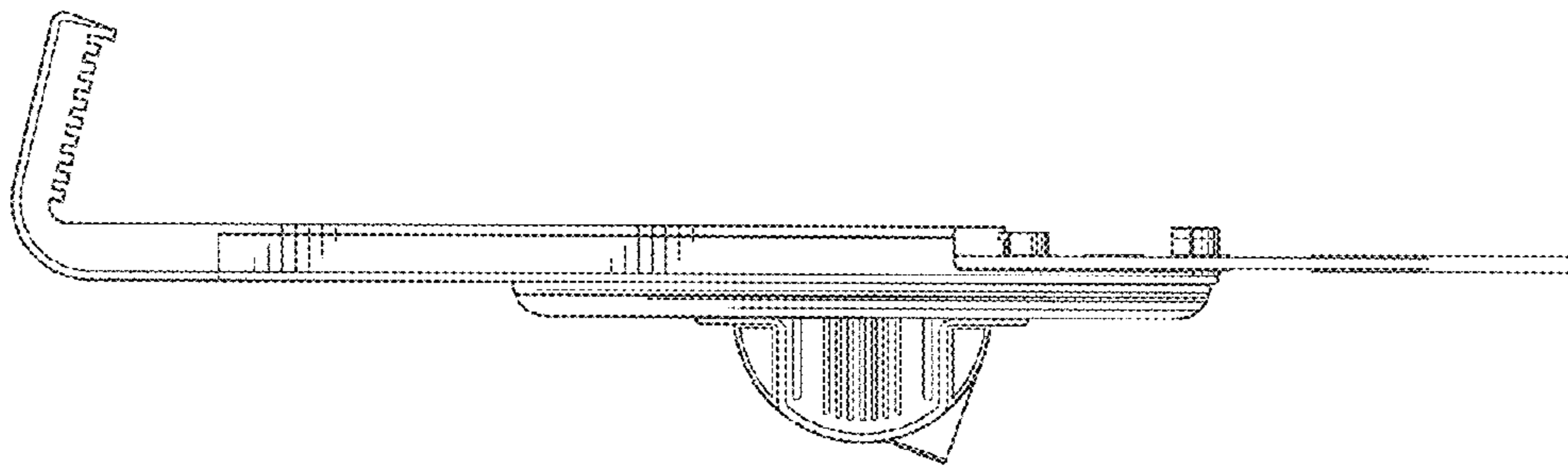


Fig. 2

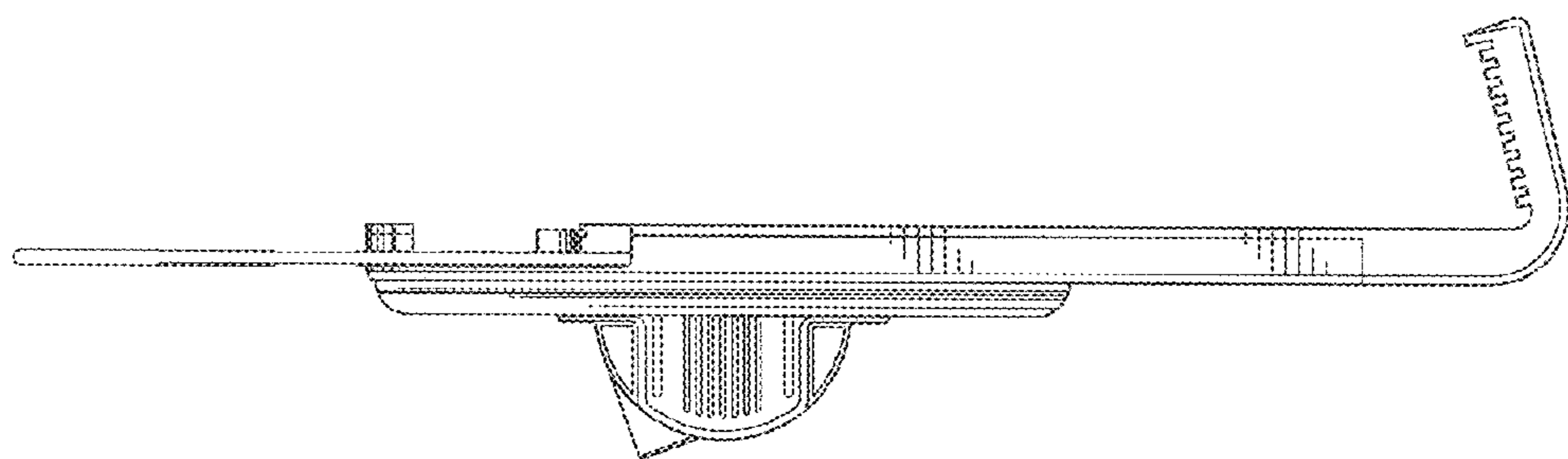


Fig. 3

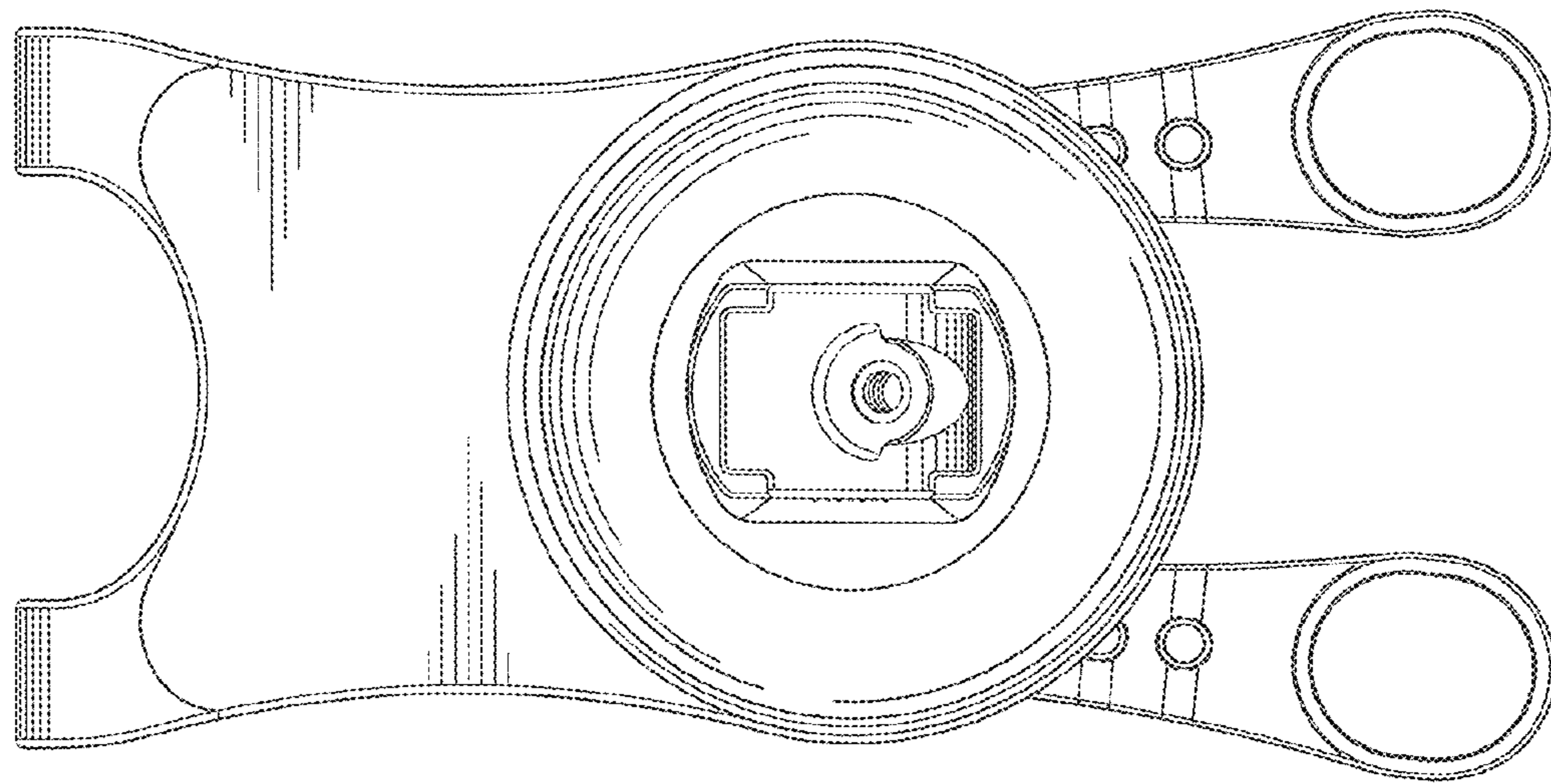


Fig. 4

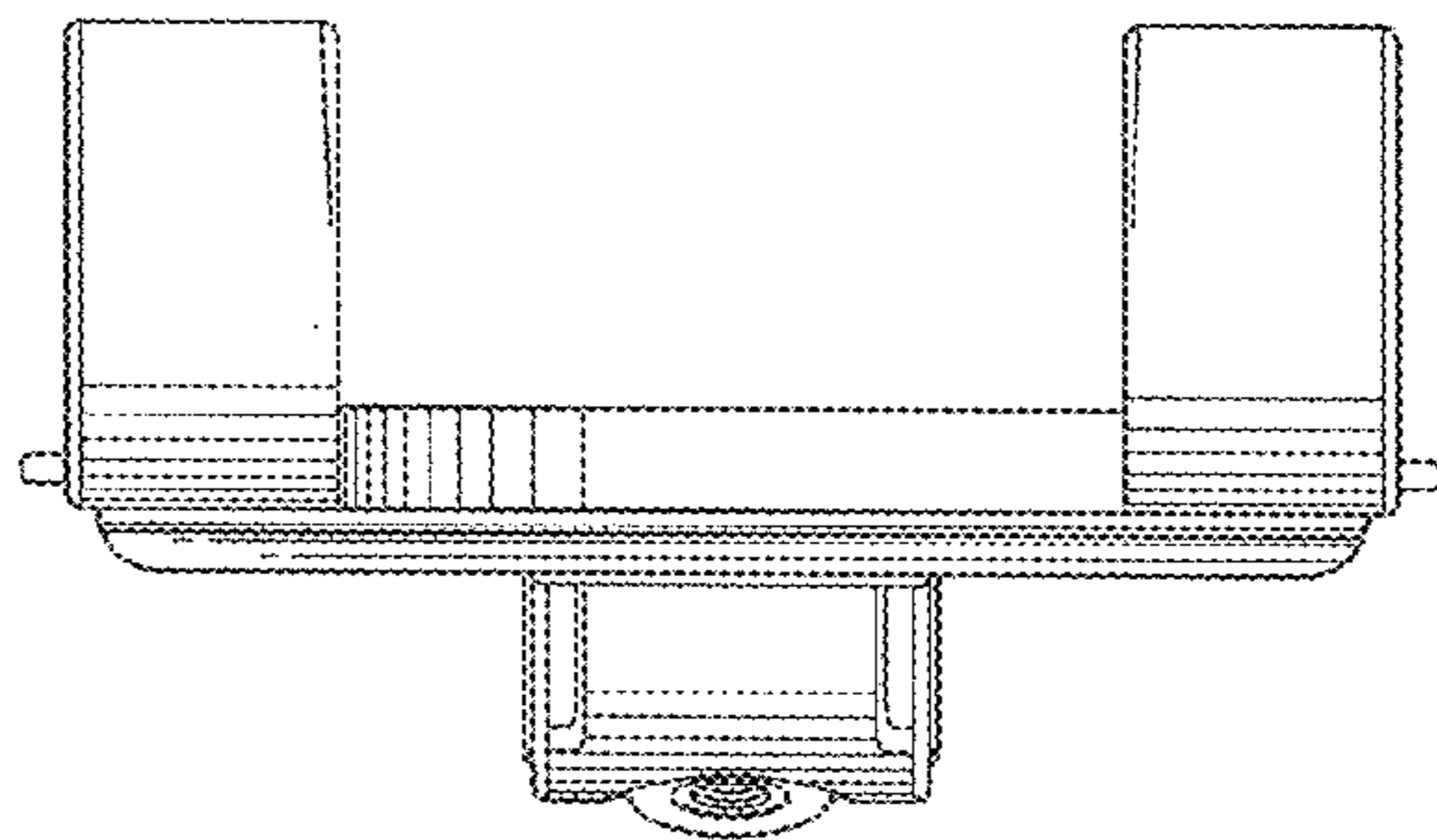


Fig. 5

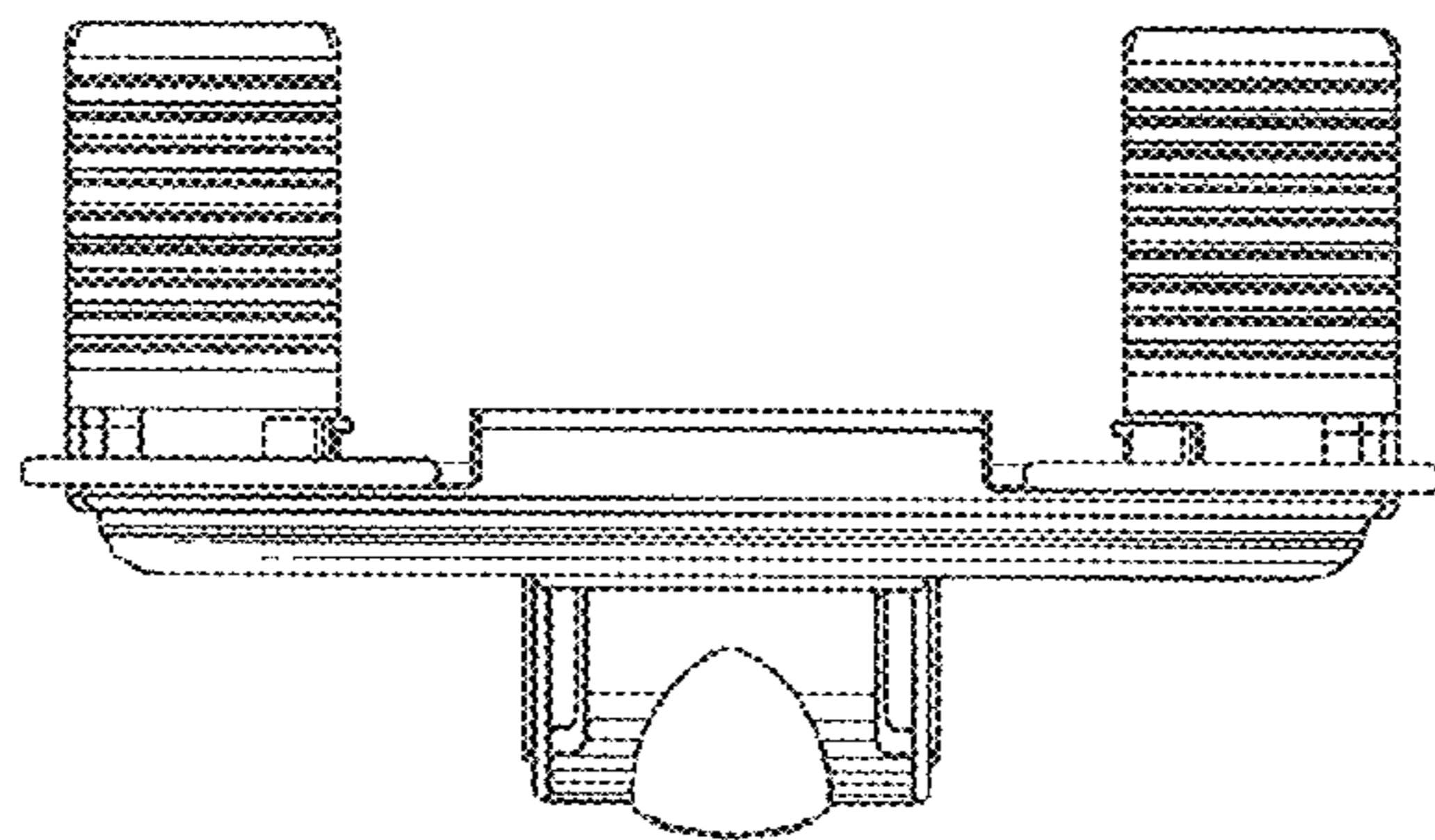


Fig. 6

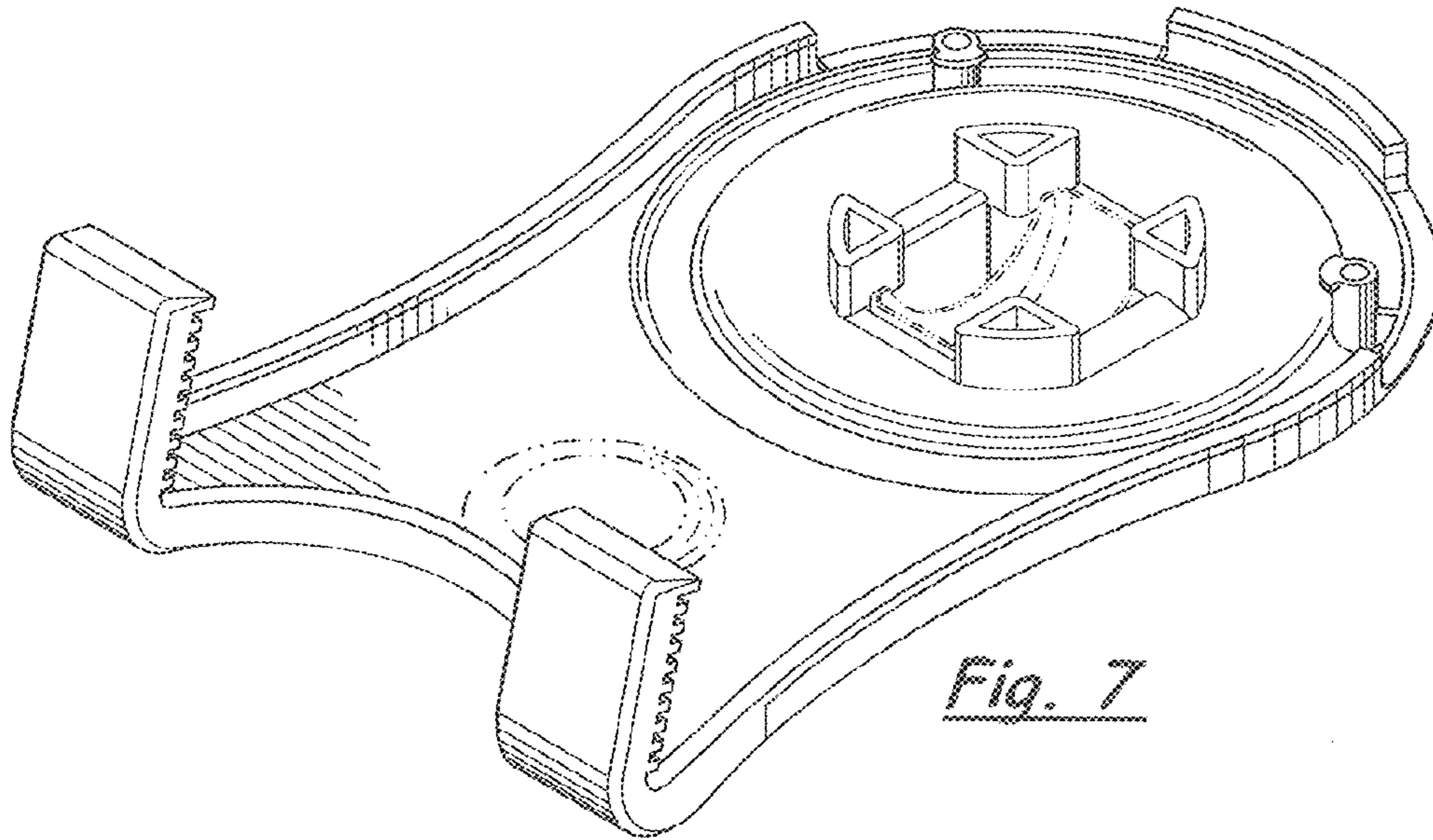


Fig. 7

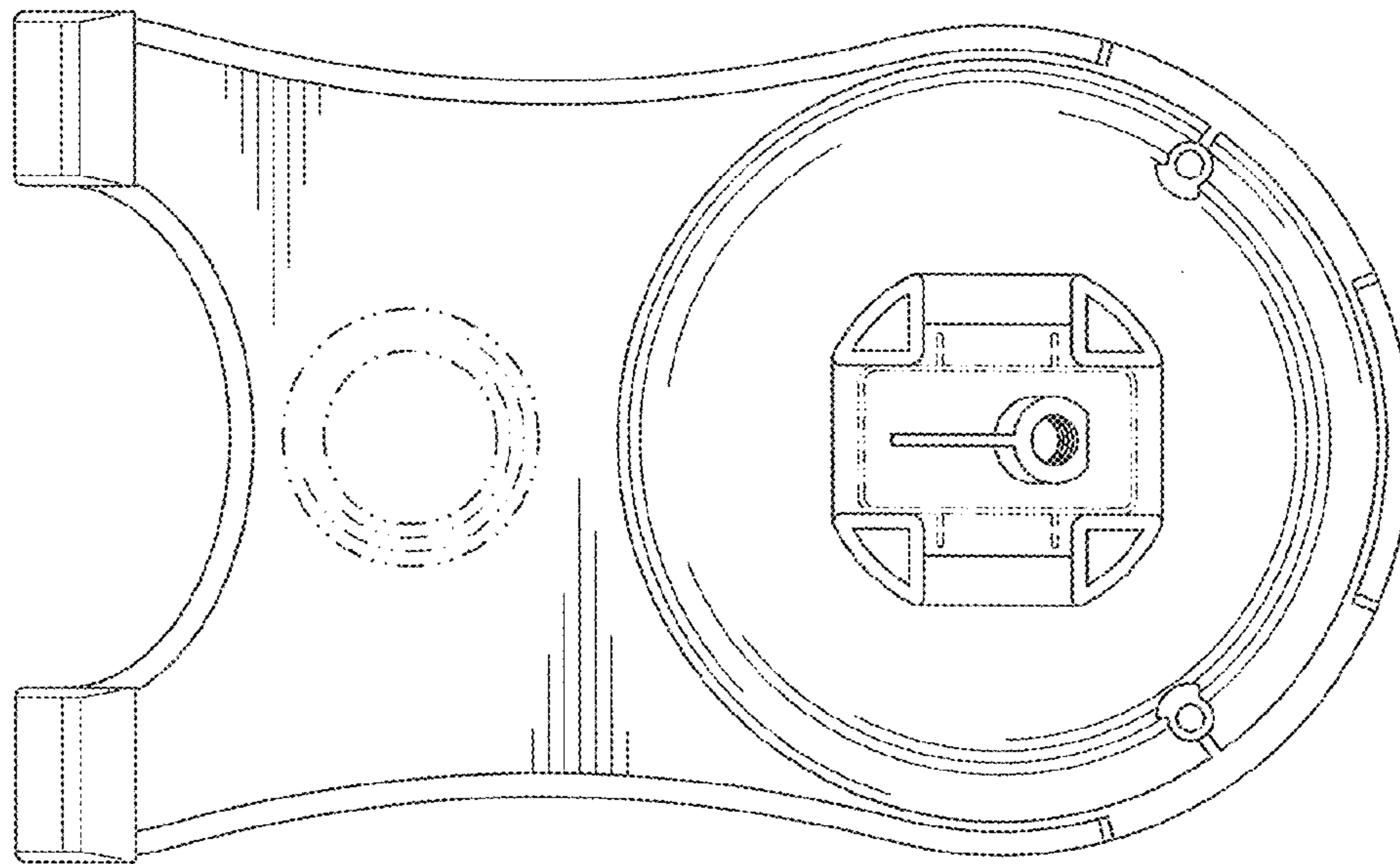


Fig. 8

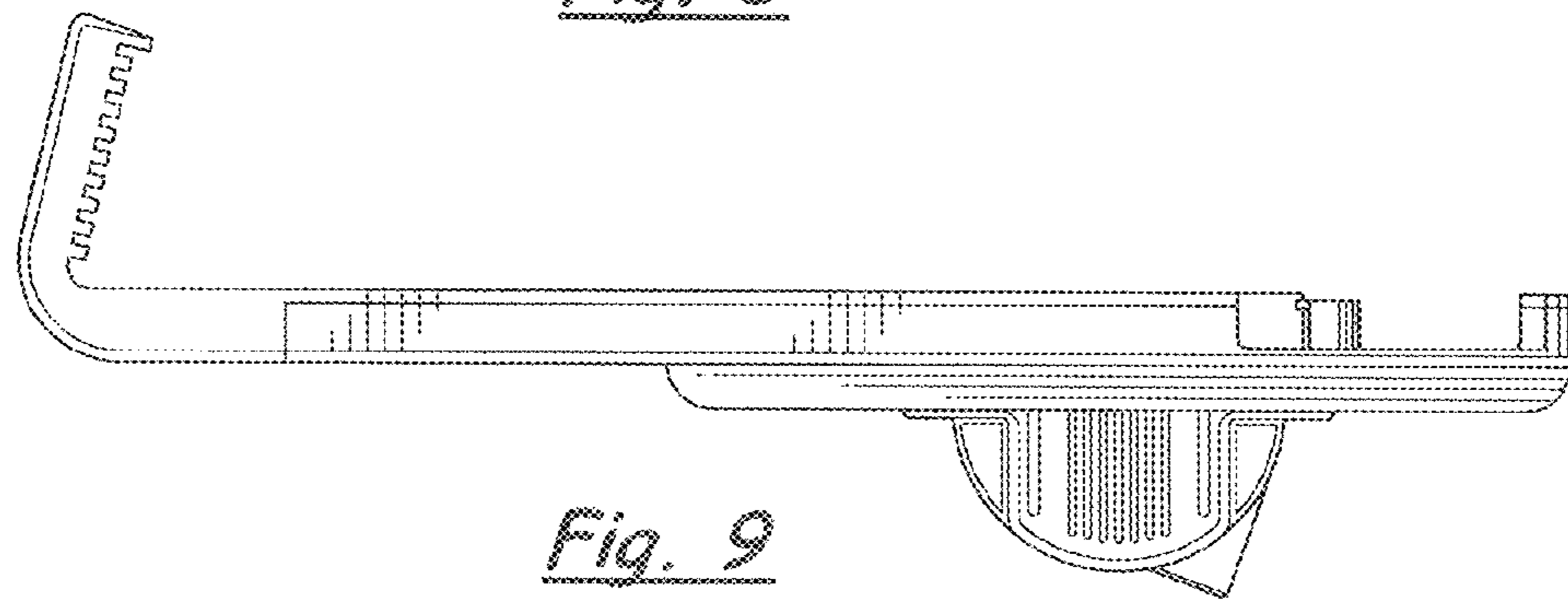


Fig. 9

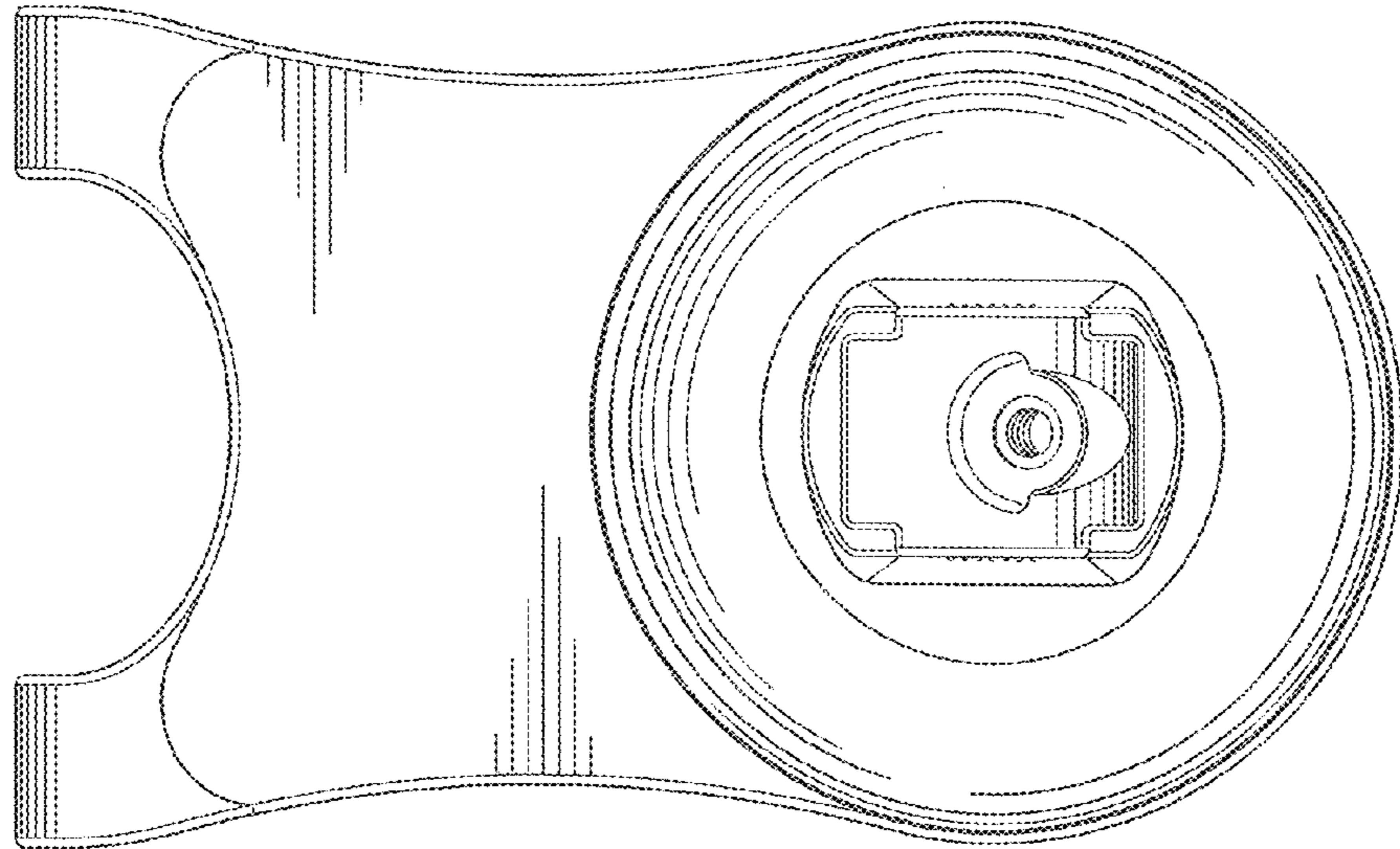


Fig. 10

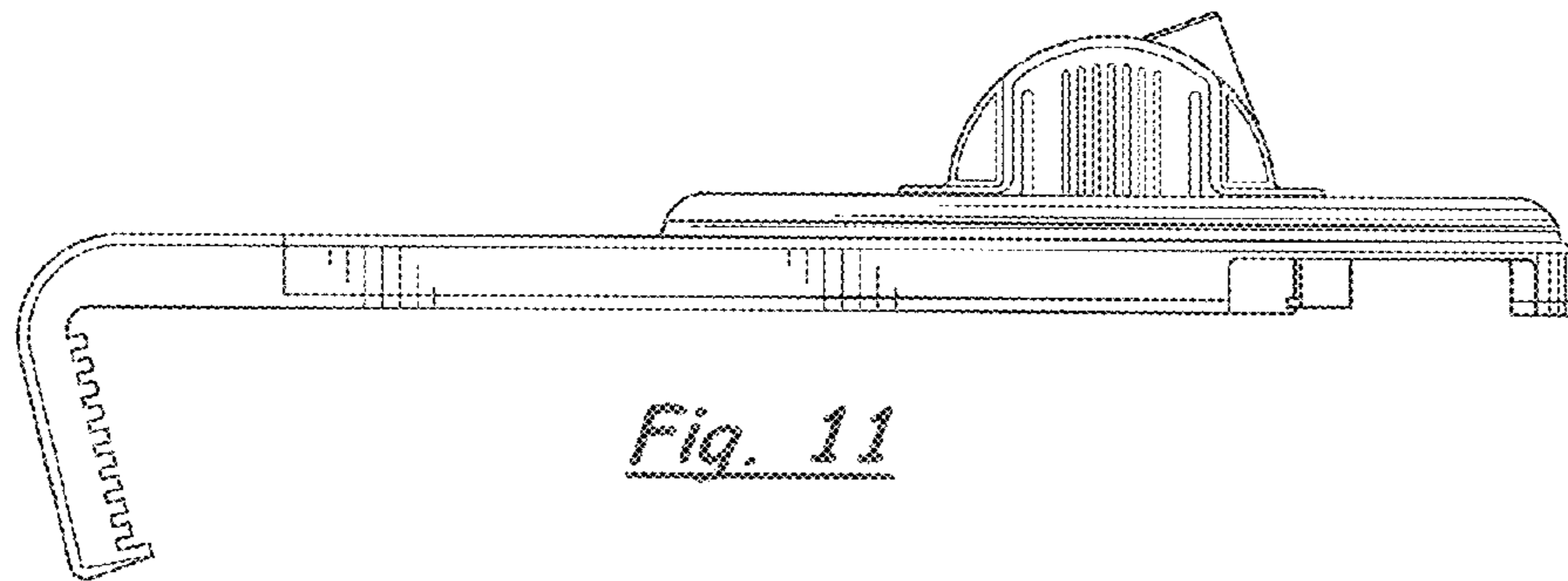


Fig. 11

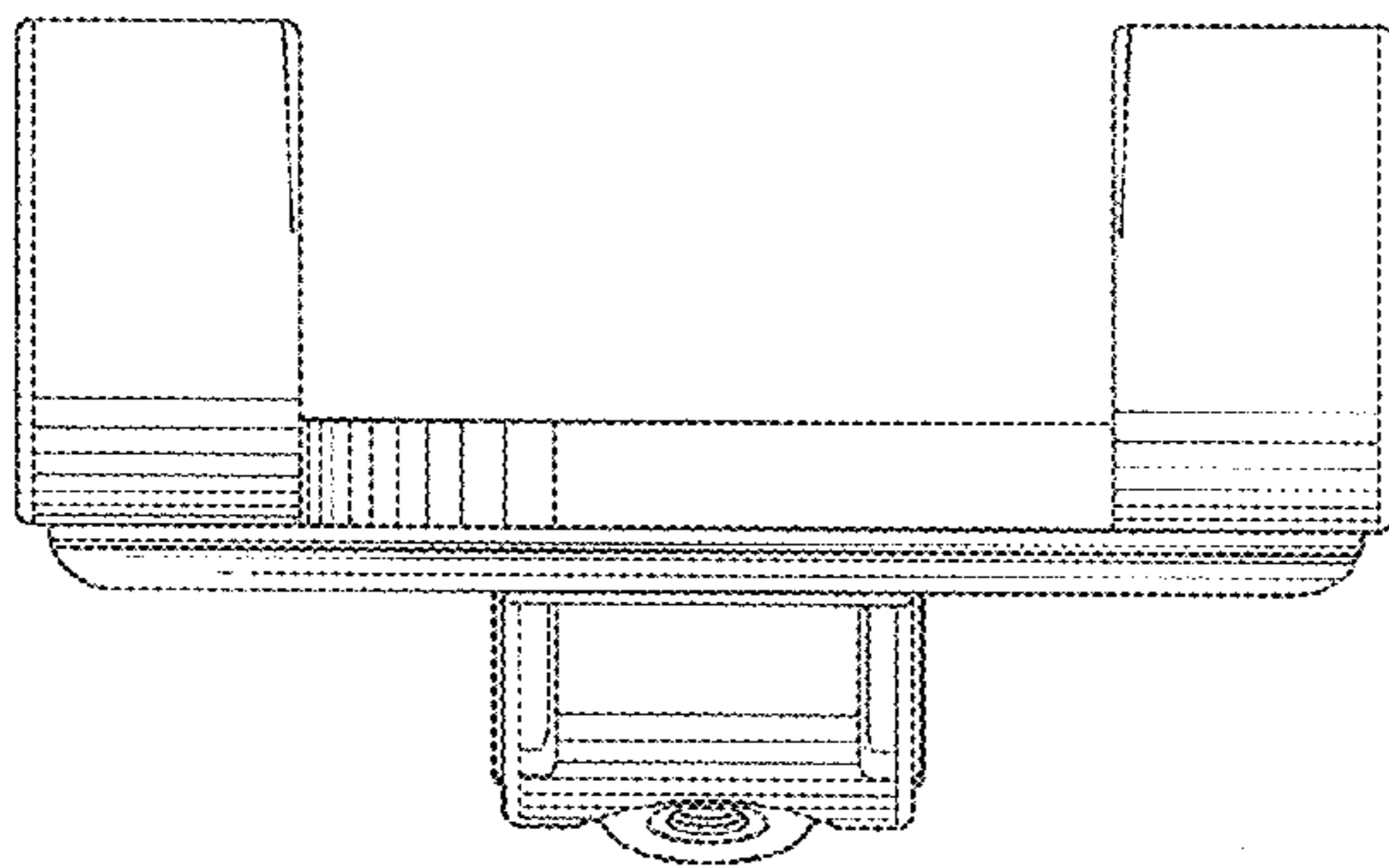


Fig. 12

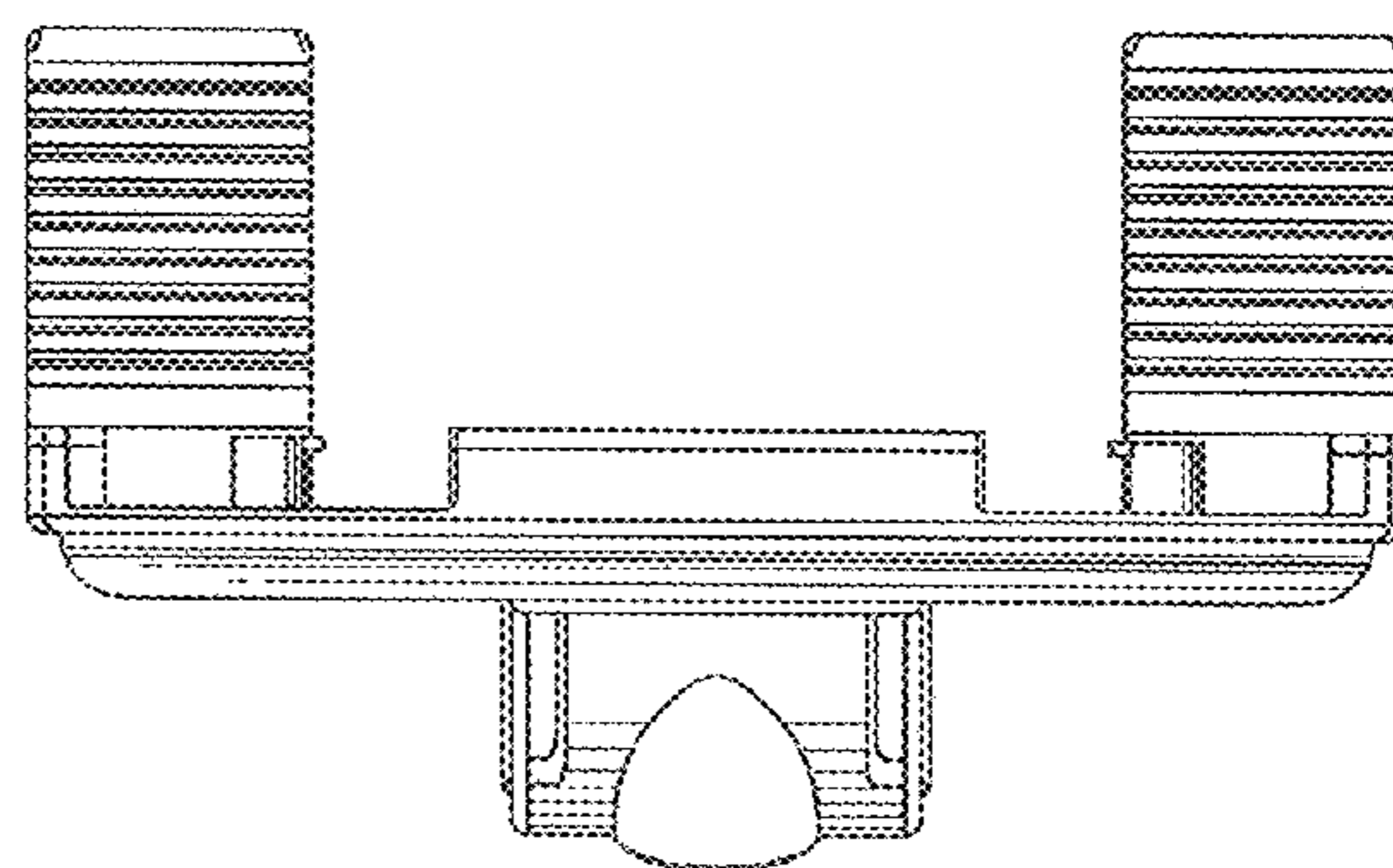


Fig. 13