



US00D749554S

(12) **United States Design Patent**  
**Park et al.**

(10) **Patent No.:** **US D749,554 S**

(45) **Date of Patent:** **\*\* Feb. 16, 2016**

(54) **COVER FOR MOBILE PHONE**

(71) Applicant: **Samsung Electronics Co., Ltd.**,  
Suwon-si (KR)

(72) Inventors: **Yun-Jin Park**, Seoul (KR); **Min-Geun Kim**, Goyang-si (KR)

(73) Assignee: **Samsung Electronics Co., Ltd.**,  
Suwon-si (KR)

(\*\*) Term: **14 Years**

(21) Appl. No.: **29/475,220**

(22) Filed: **Dec. 2, 2013**

(30) **Foreign Application Priority Data**

Jun. 20, 2013 (KR) ..... 30-2013-0031887

(51) **LOC (10) Cl.** ..... **14-03**

(52) **U.S. Cl.**  
USPC ..... **D14/250**

(58) **Field of Classification Search**

USPC ..... D3/201, 218, 269, 301, 273, 303;  
D13/103, 107-108; 220/4.02;  
248/309.1; 361/679.56; 379/426,  
379/433.11, 455; 455/575.1, 575.8;  
190/100; 206/305, 320

CPC ..... A45C 2011/002; A45C 11/00; A45C  
13/002; A45C 2011/003; H04M 1/0283;  
H04M 1/0202

See application file for complete search history.

(56) **References Cited**

**U.S. PATENT DOCUMENTS**

D602,461 S \* 10/2009 Kim et al. .... D14/138 AD  
D605,621 S \* 12/2009 Kim et al. .... D14/138 AD

(Continued)

**OTHER PUBLICATIONS**

Samsung Flip Cover + for Samsung Galaxy S4 Zoom, [http://www.mobilefun.co.uk/41669-samsung-flip-cover-for-samsung-galaxy-s4-zoomwhite-Reviews.htm?show\\_rating=&locale\\_filter=5&sort\\_by=&show\\_all=#reviews](http://www.mobilefun.co.uk/41669-samsung-flip-cover-for-samsung-galaxy-s4-zoomwhite-Reviews.htm?show_rating=&locale_filter=5&sort_by=&show_all=#reviews), earliest customer review: Mar. 18, 2014, retrieved from internet on May 16, 2015.\*

*Primary Examiner* — Carla Jobe Wright

*Assistant Examiner* — Holly E Thurman

(74) *Attorney, Agent, or Firm* — NSIP Law

(57) **CLAIM**

The ornamental design for a cover for mobile phone, as shown and described.

**DESCRIPTION**

FIG. 1 is a top front perspective view of a first embodiment of a cover for mobile phone showing our new design;

FIG. 2 is a front view thereof;

FIG. 3 is a rear view thereof;

FIG. 4 is a left side view thereof;

FIG. 5 is a right side view thereof;

FIG. 6 is a top view thereof;

FIG. 7 is a bottom view thereof;

FIG. 8 is a top rear perspective view thereof;

FIG. 9 is another top front perspective view thereof, showing an unclaimed mobile phone within the cover;

FIG. 10 is an enlarged view of the encircled portion as shown in FIG. 4;

FIG. 11 is a top front perspective view of a second embodiment thereof;

FIG. 12 is a front view thereof;

FIG. 13 is a rear view thereof;

FIG. 14 is a left side view thereof;

FIG. 15 is a right side view thereof;

FIG. 16 is a top view thereof;

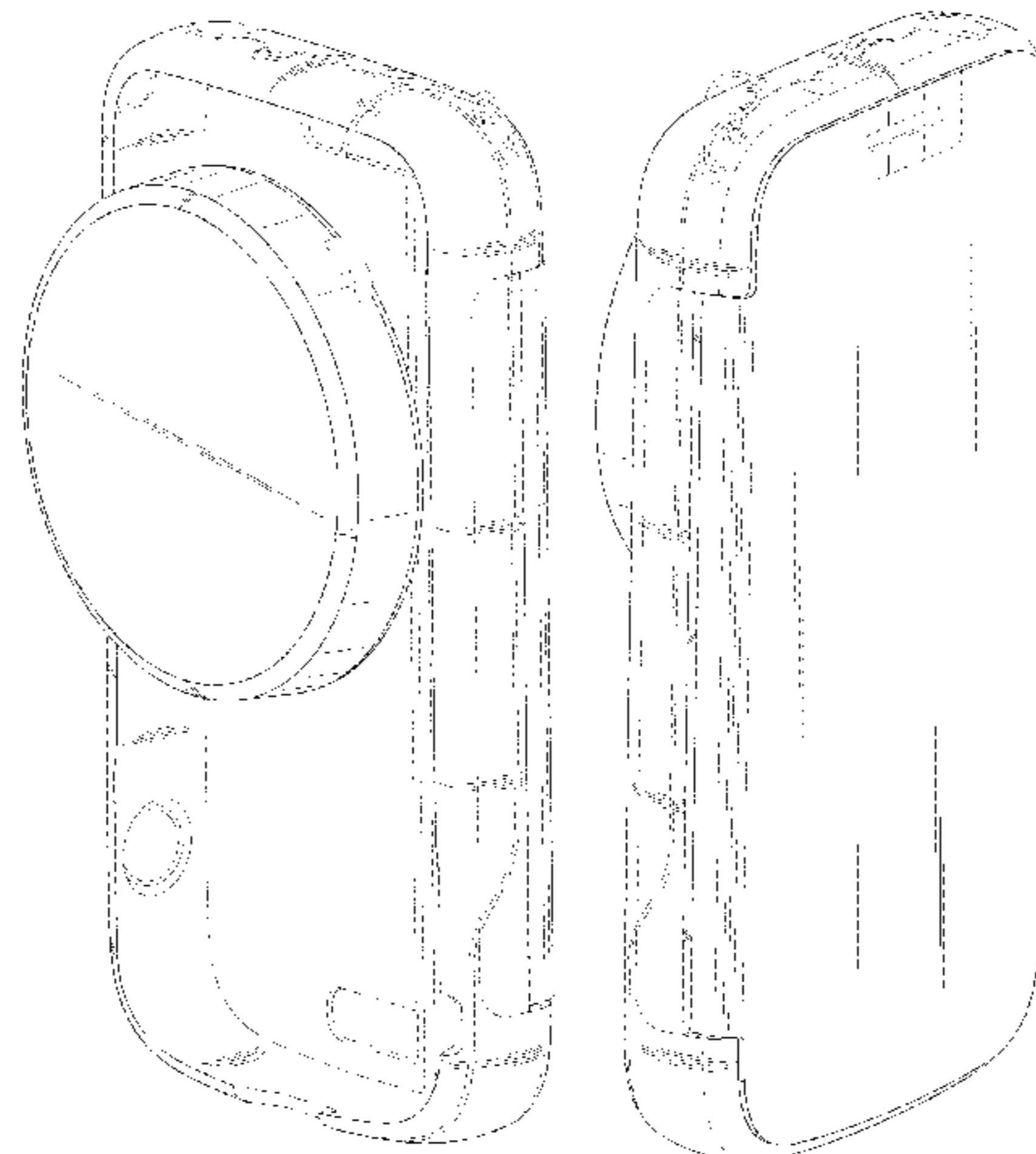
FIG. 17 is a bottom view thereof; and,

FIG. 18 is another top front perspective view thereof, showing an unclaimed mobile phone within the cover.

In FIGS. 4 and 10, the dot-dash broken lines encircle and indicate a portion of the first embodiment shown on an enlarged scale in FIG. 10. All other dot-dash broken lines represent boundaries of the embodiment in which they are shown.

The dash-dash broken lines depict an unclaimed mobile phone and unclaimed environmental features of the cover for mobile phone. The broken lines form no part of the embodiment in which they are shown.

**1 Claim, 14 Drawing Sheets**



(56)

**References Cited**

U.S. PATENT DOCUMENTS

D680,107 S \* 4/2013 Piedra et al. .... D14/250  
D685,363 S \* 7/2013 Murchison et al. .... D14/250  
D686,605 S \* 7/2013 Palmeri ..... D14/250  
D704,183 S \* 5/2014 Guzman ..... D14/250

D707,669 S \* 6/2014 Guzman ..... D14/250  
D721,120 S \* 1/2015 Oh ..... D16/219  
D722,097 S \* 2/2015 Kim ..... D16/219  
D726,704 S \* 4/2015 Park et al. .... D14/250  
2008/0053851 A1\* 3/2008 Ko et al. .... 206/320  
2013/0303000 A1\* 11/2013 Witter et al. .... 439/39

\* cited by examiner

FIG.1

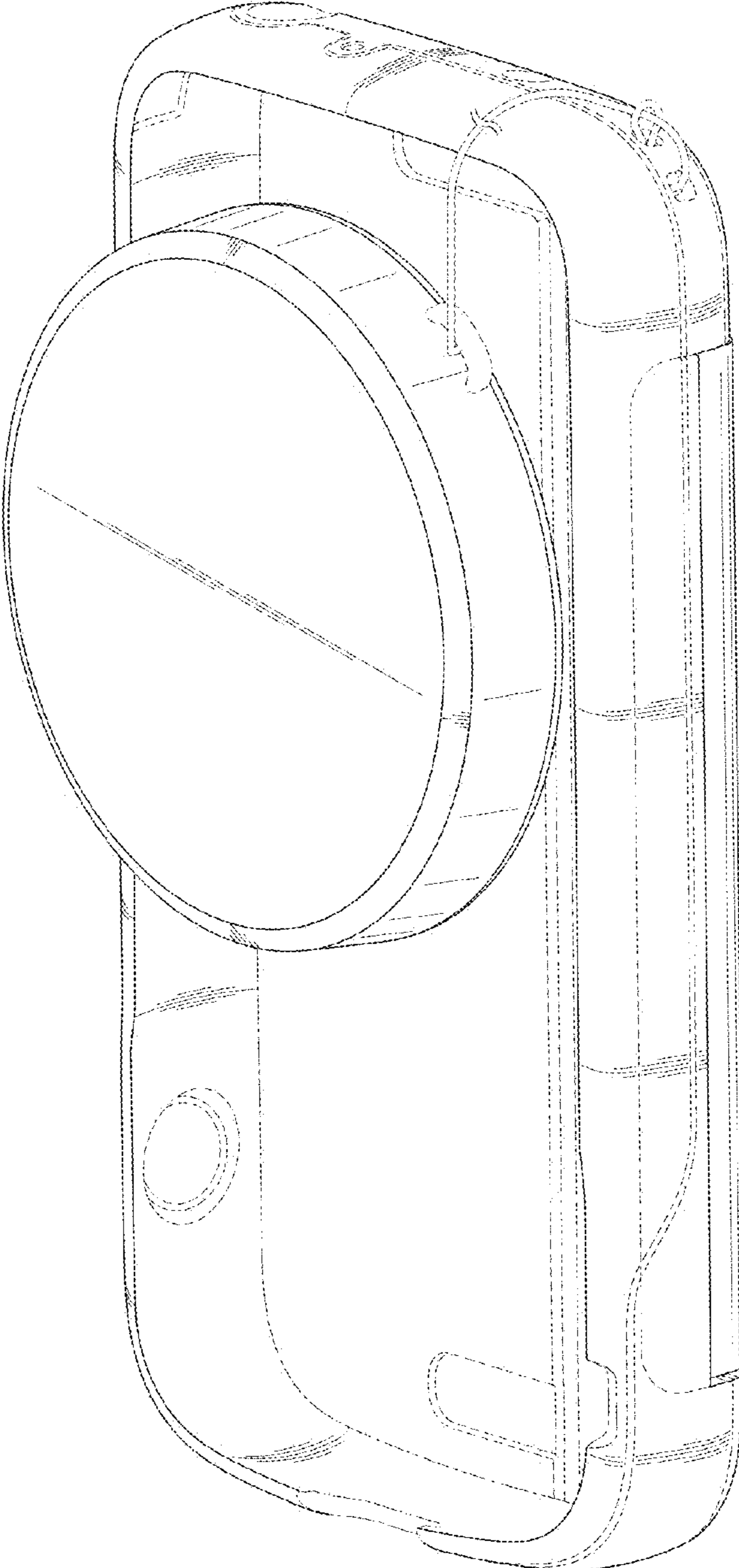


FIG.2

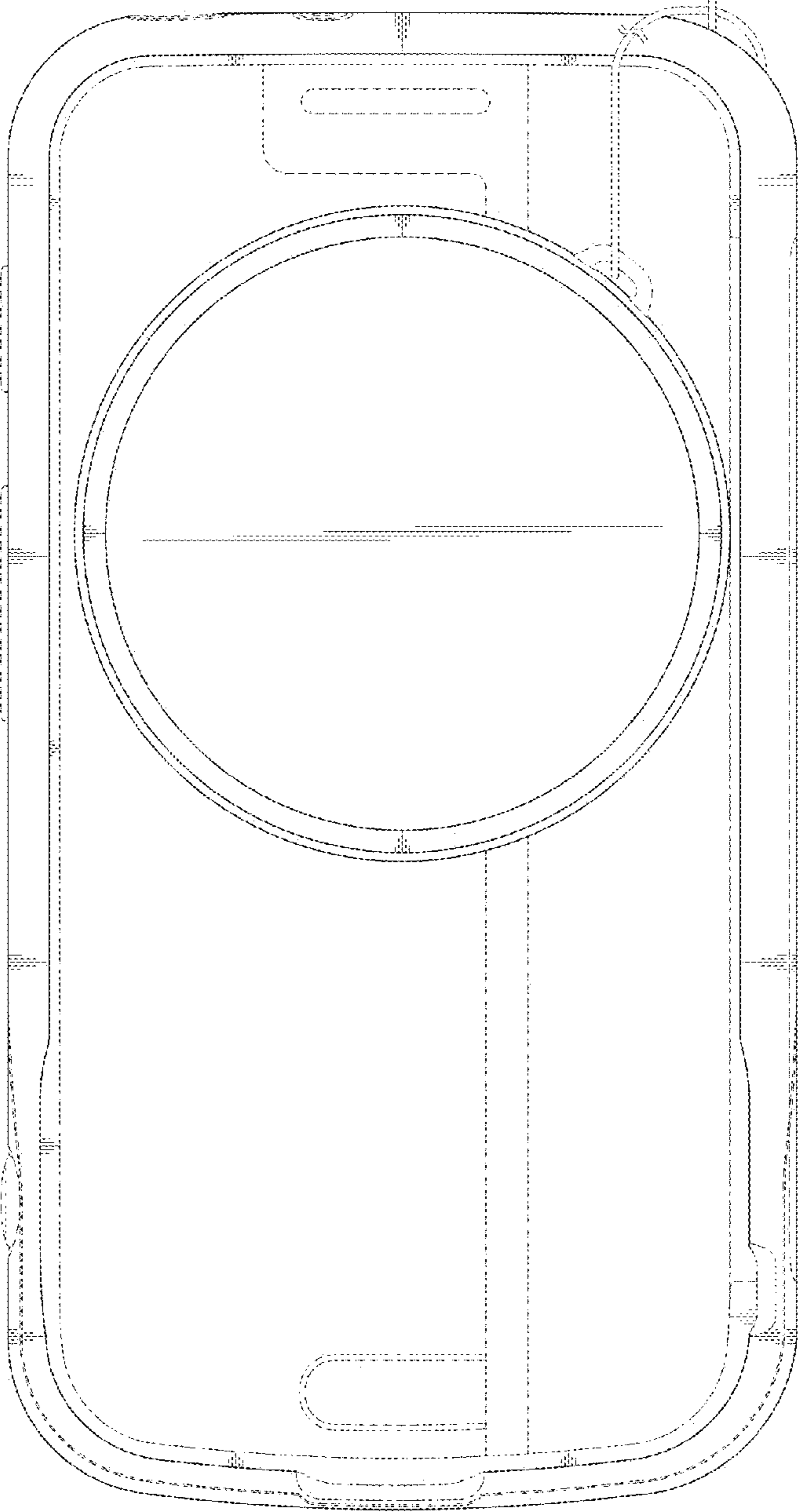


FIG.3

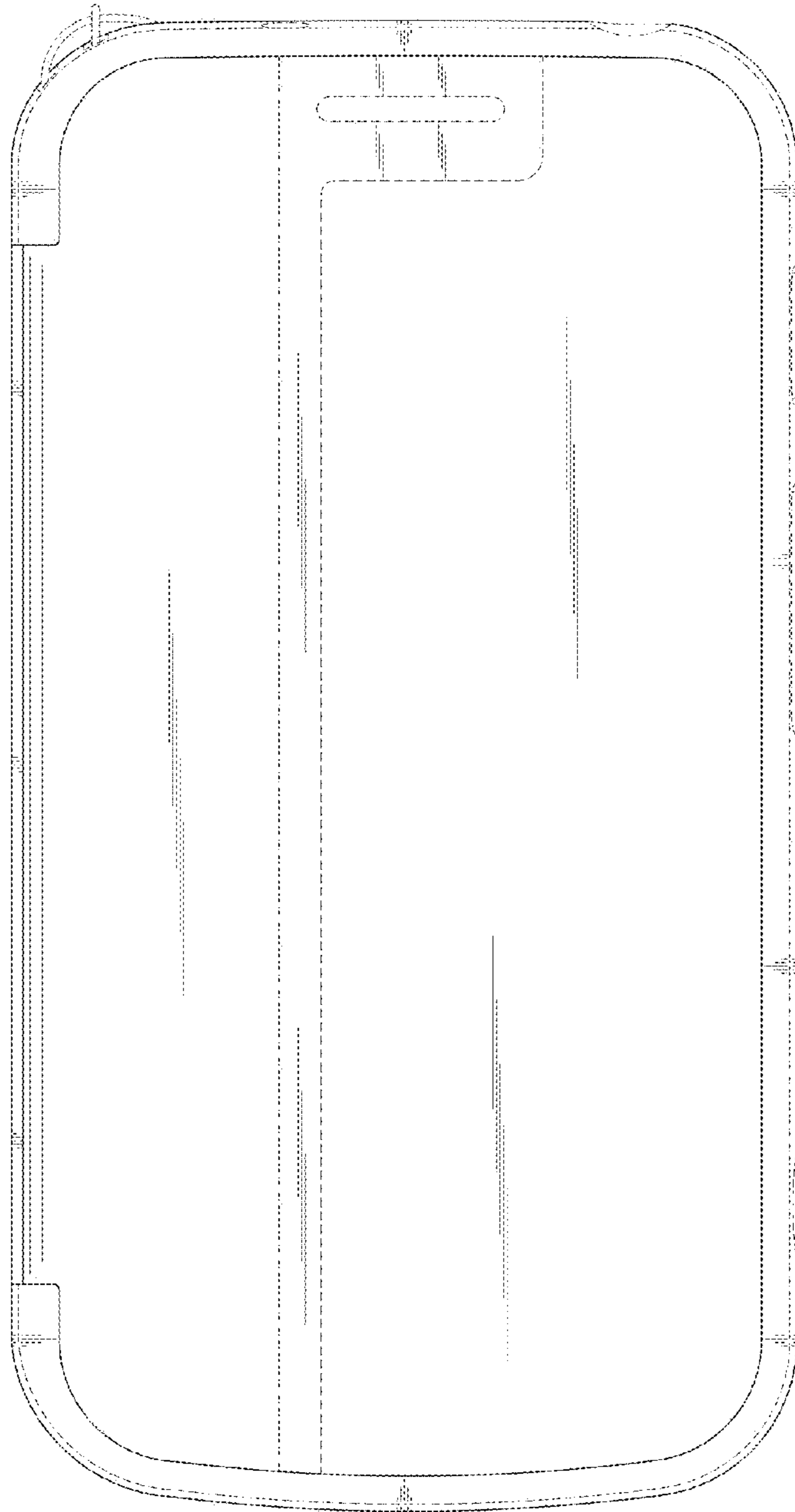


FIG.4

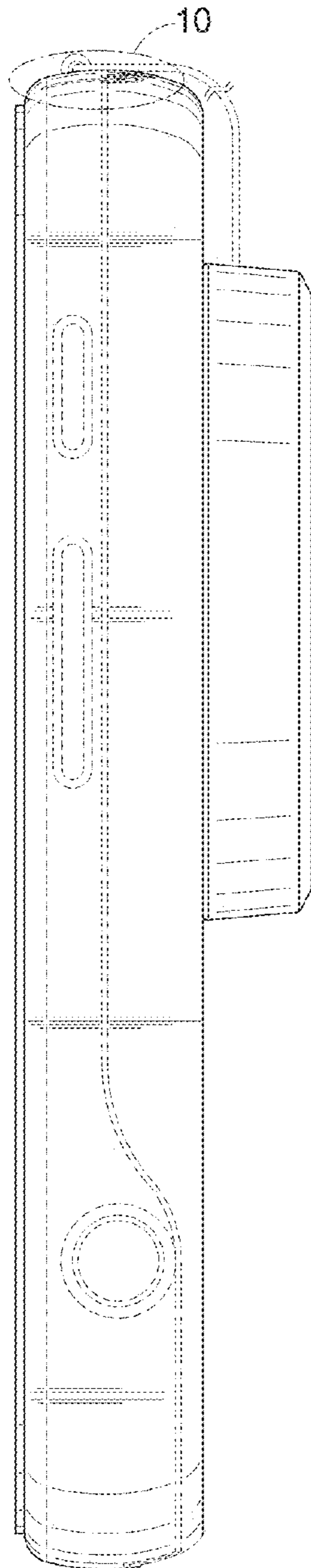


FIG.5

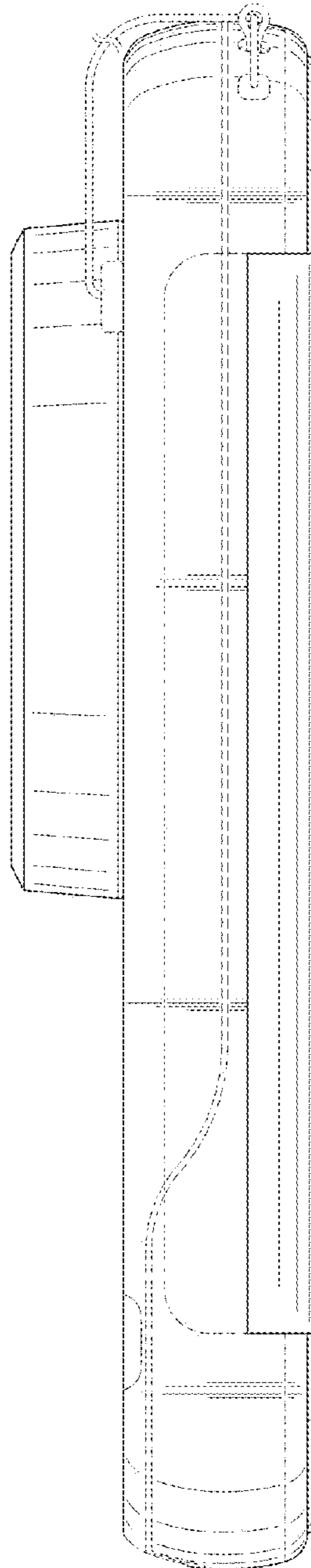


FIG.6

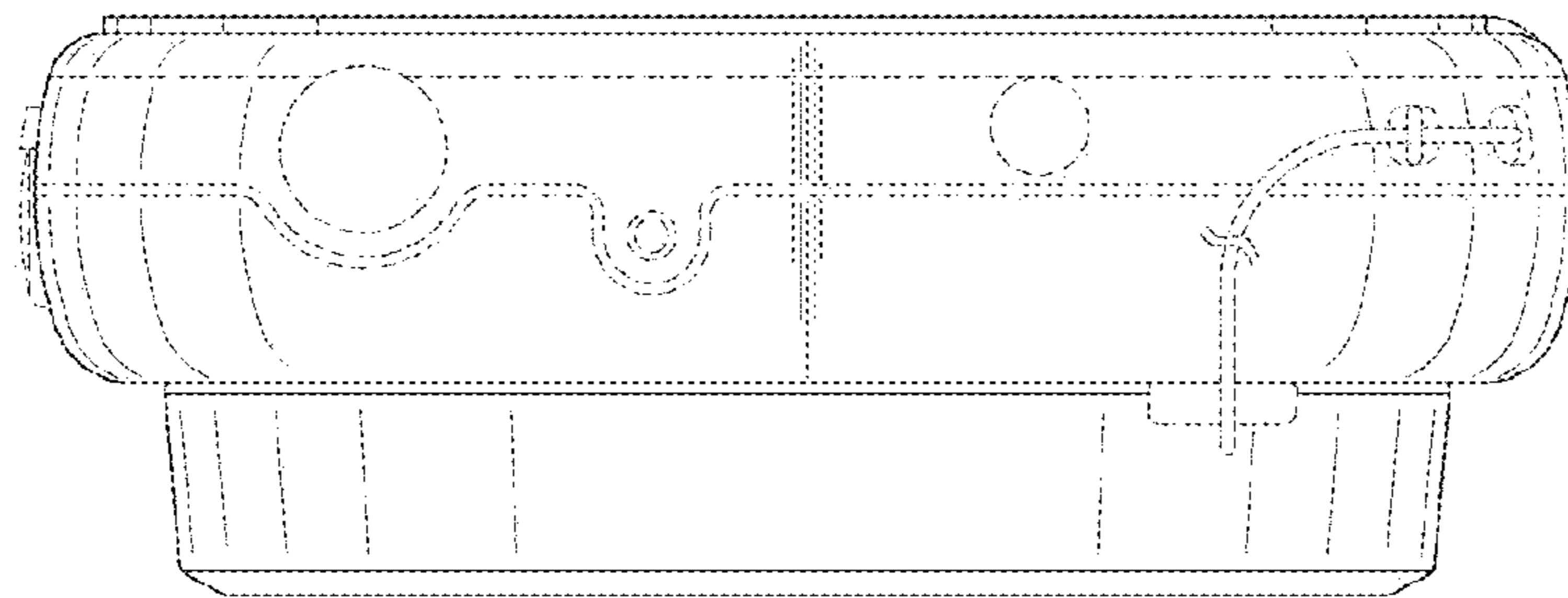


FIG.7

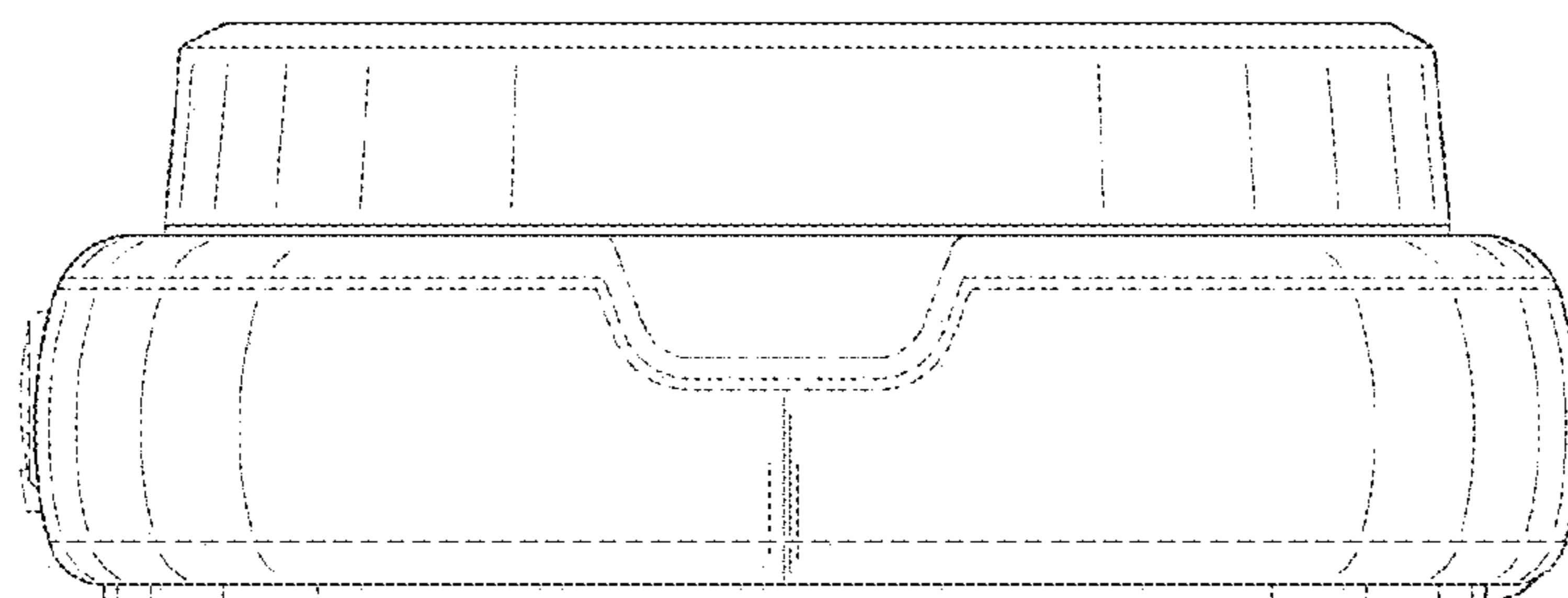


FIG. 8

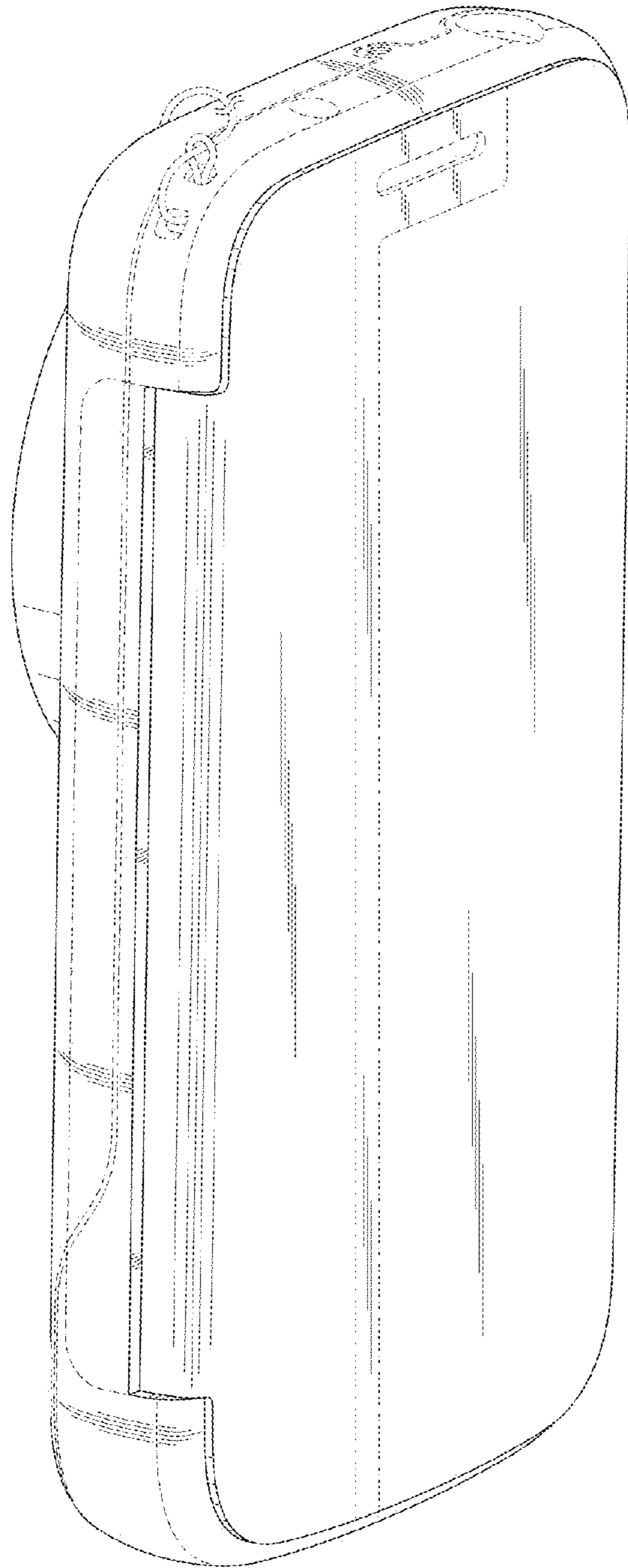




FIG.9

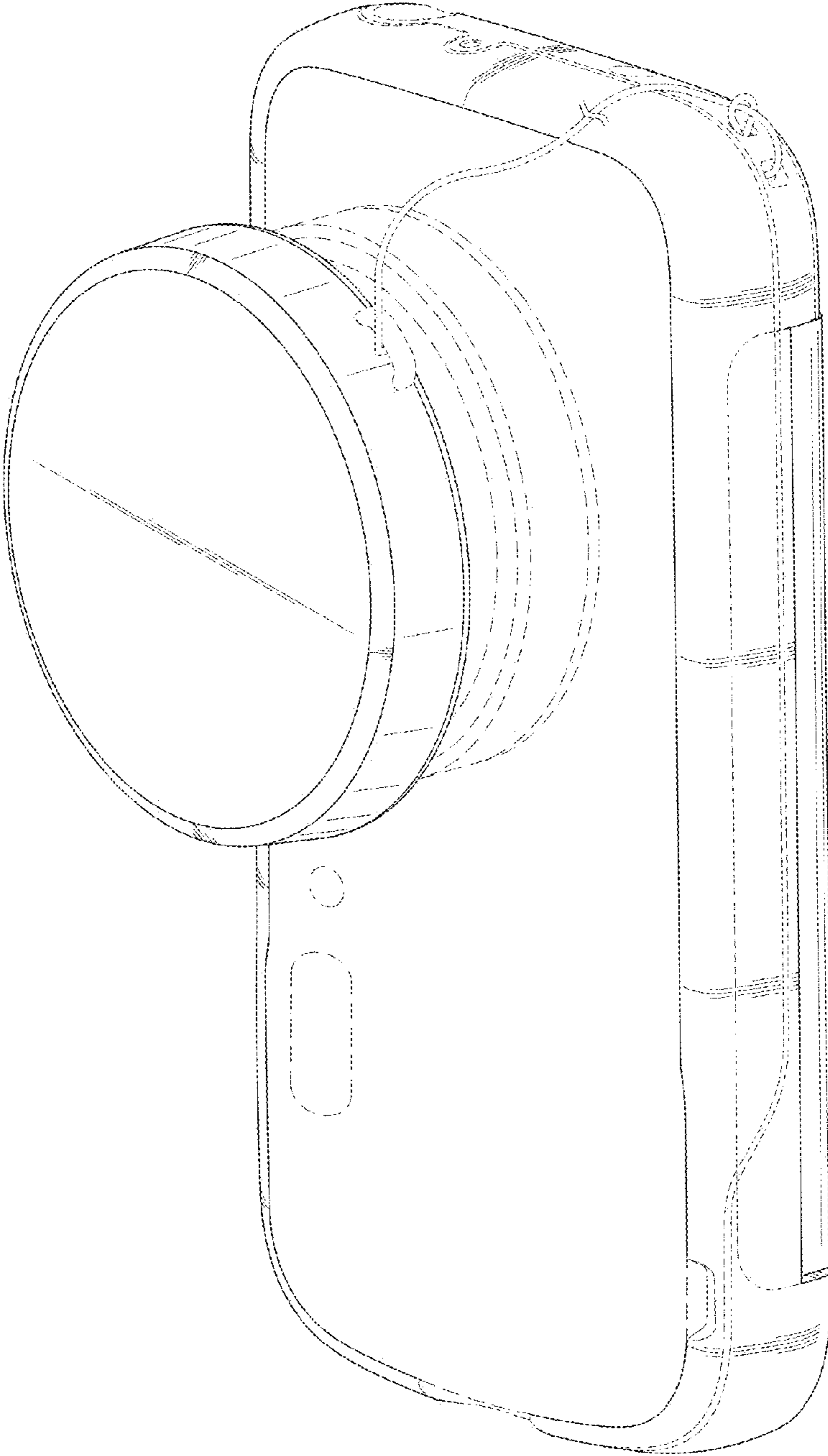


FIG.10

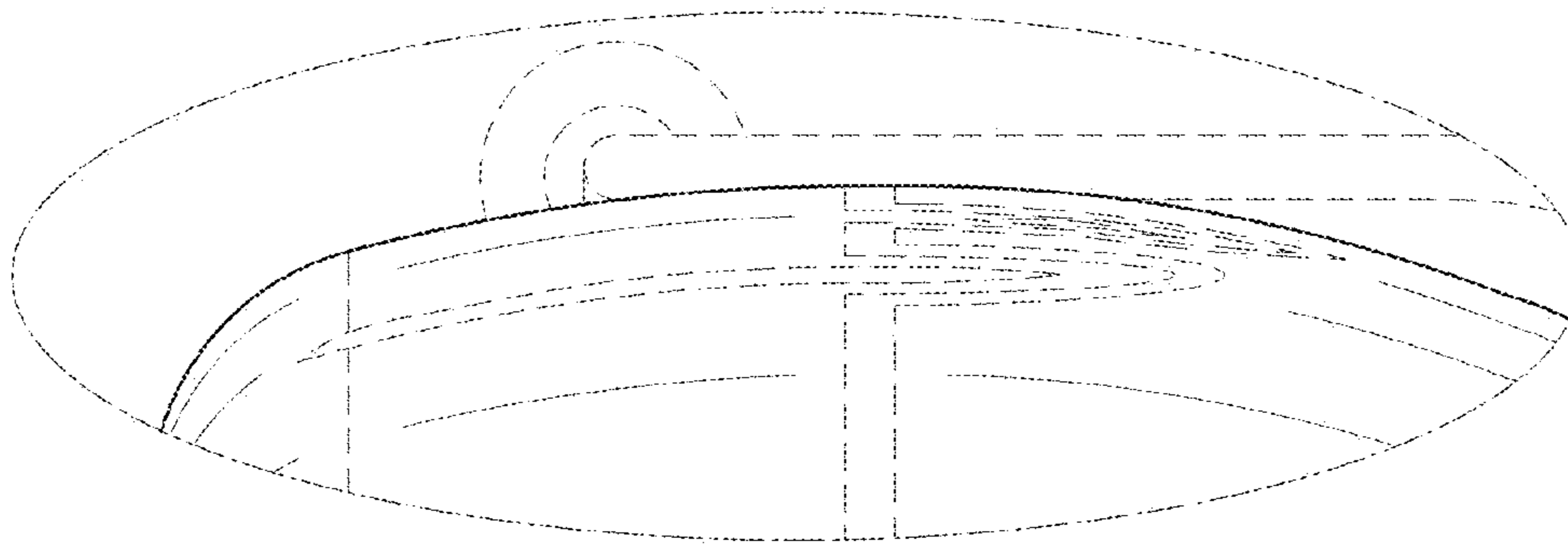


FIG.11

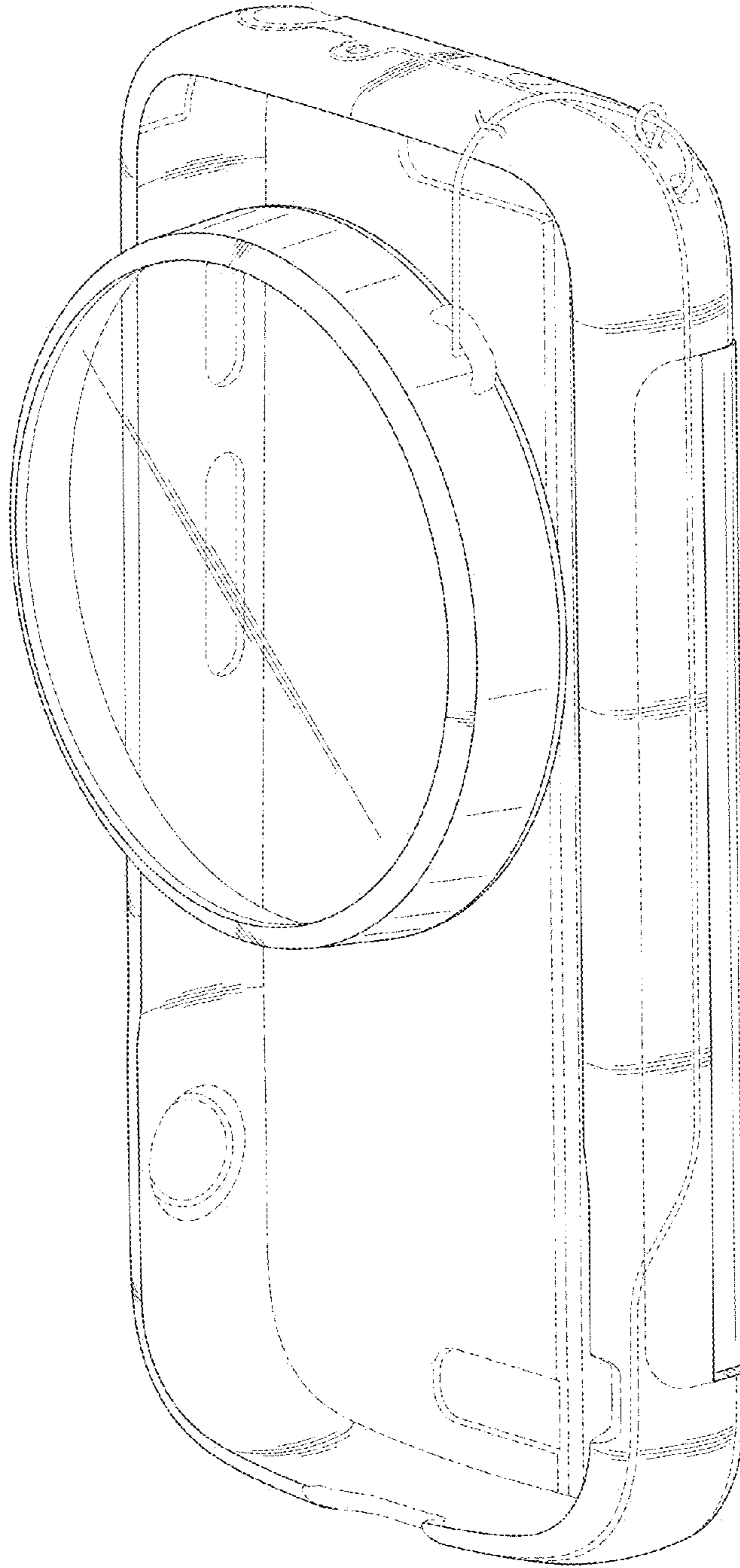


FIG. 12

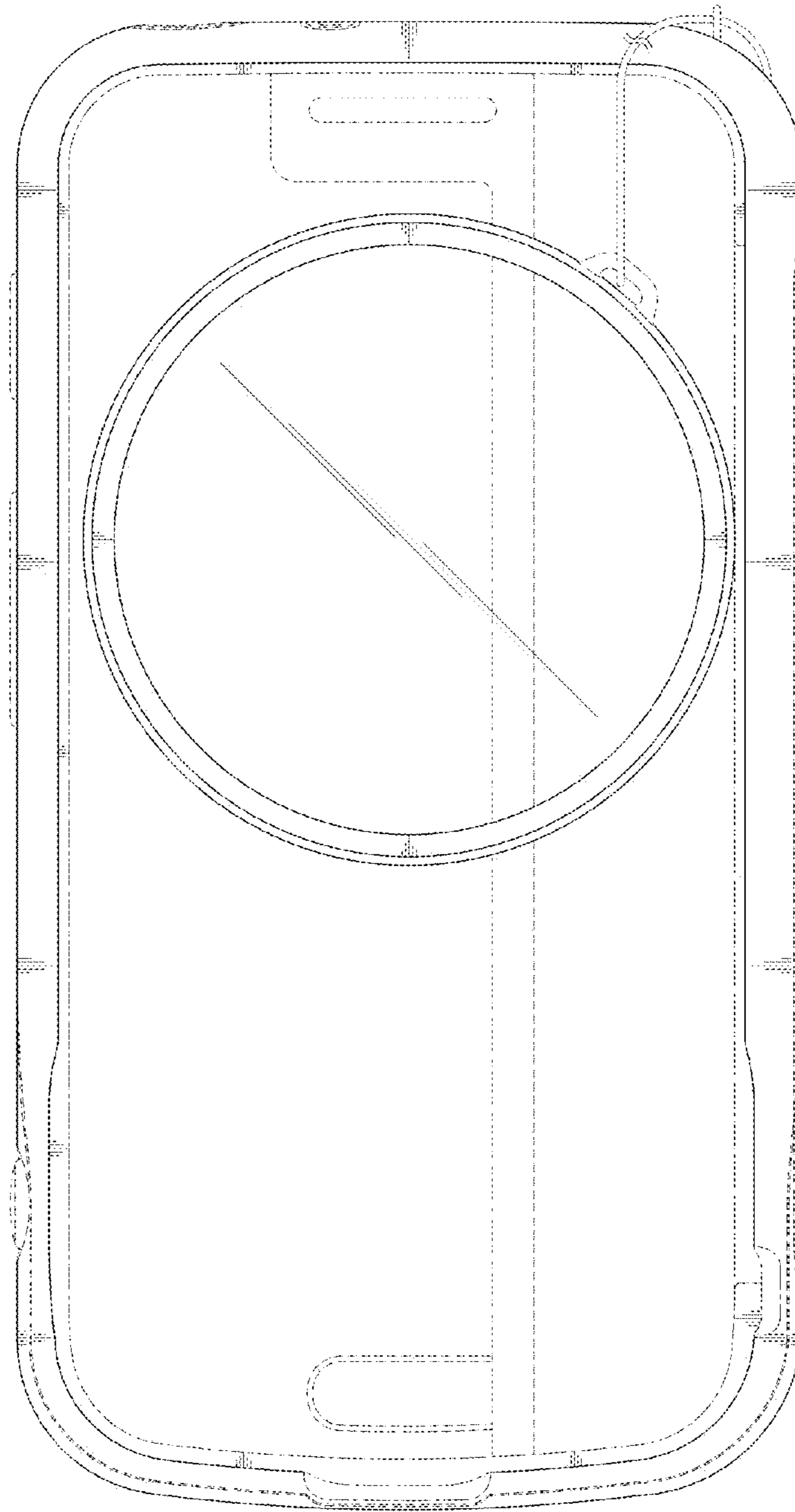


FIG.13

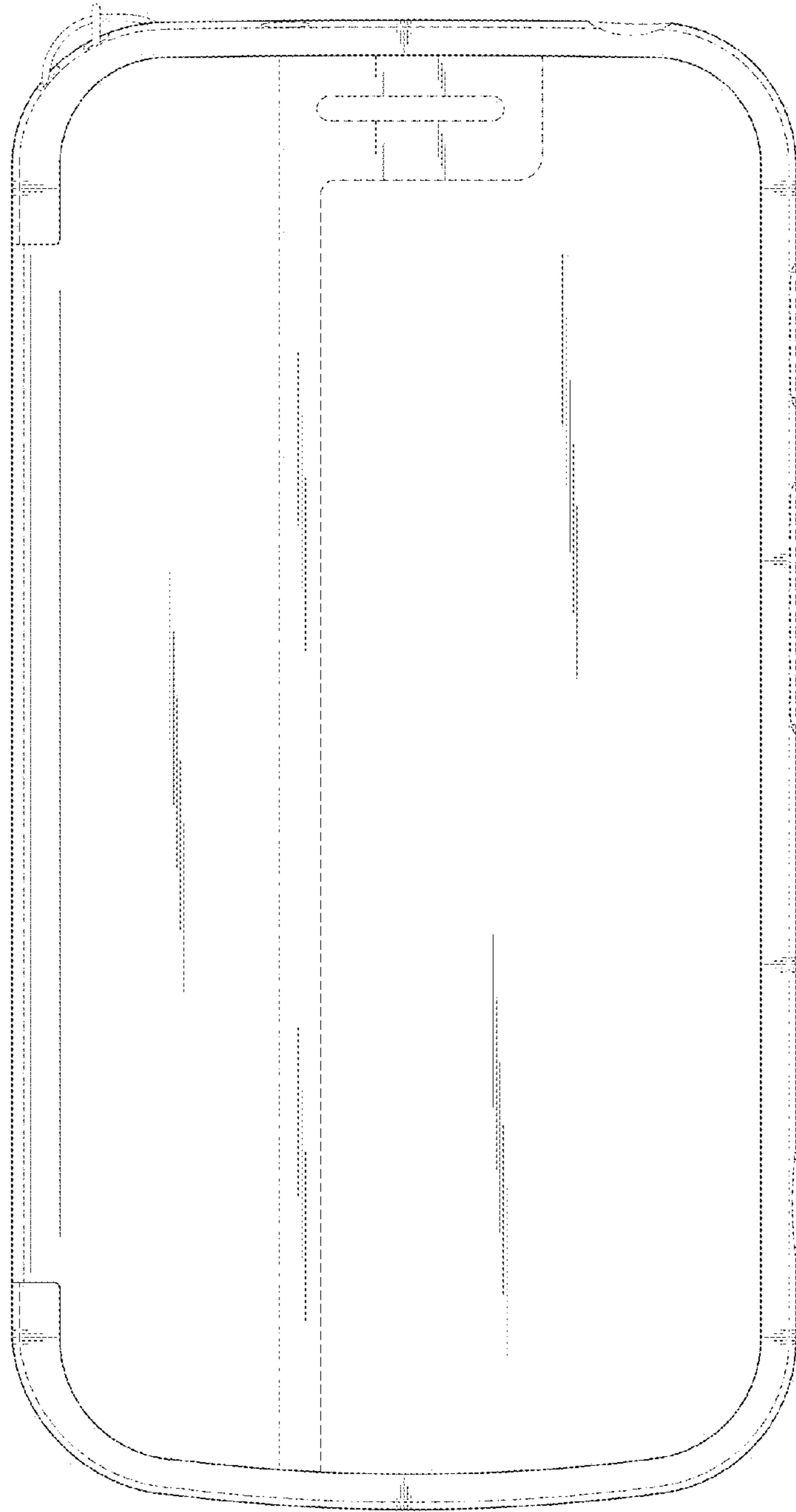


FIG.14

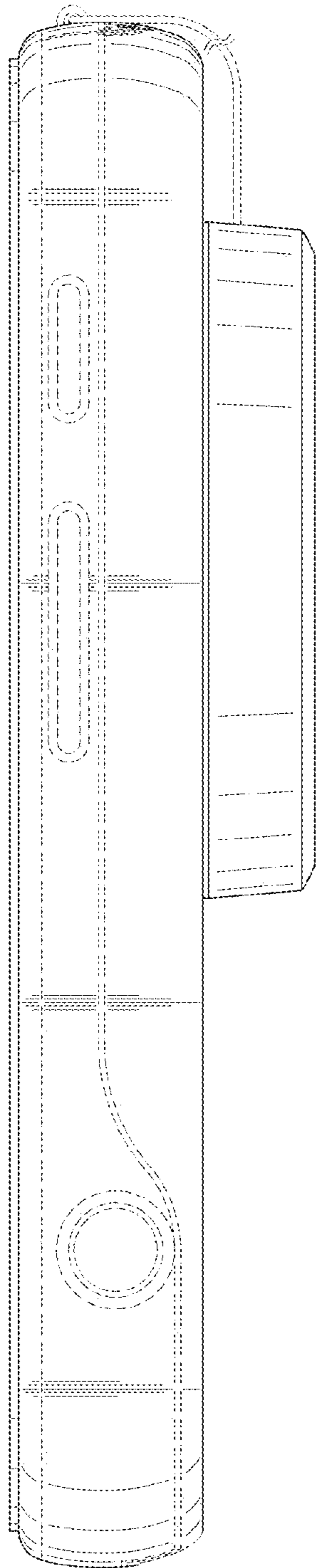


FIG.15

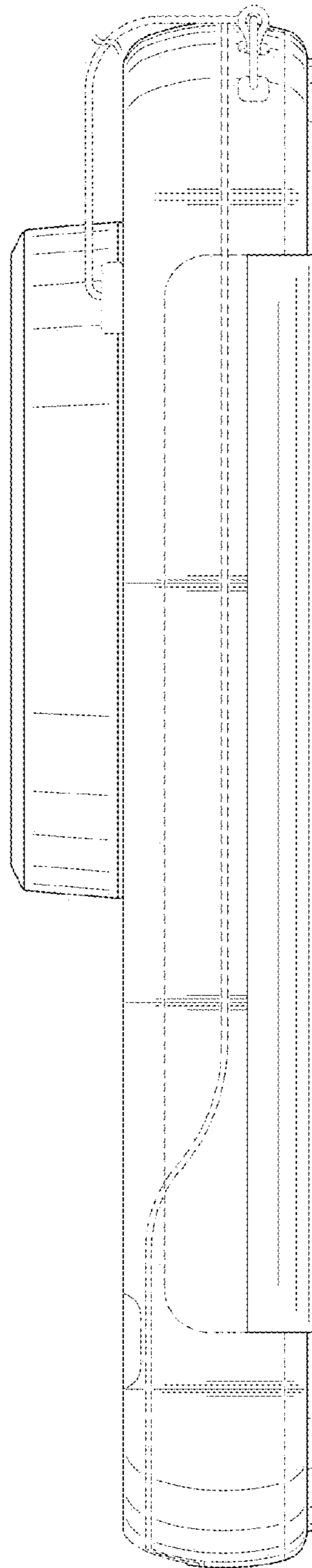


FIG.16

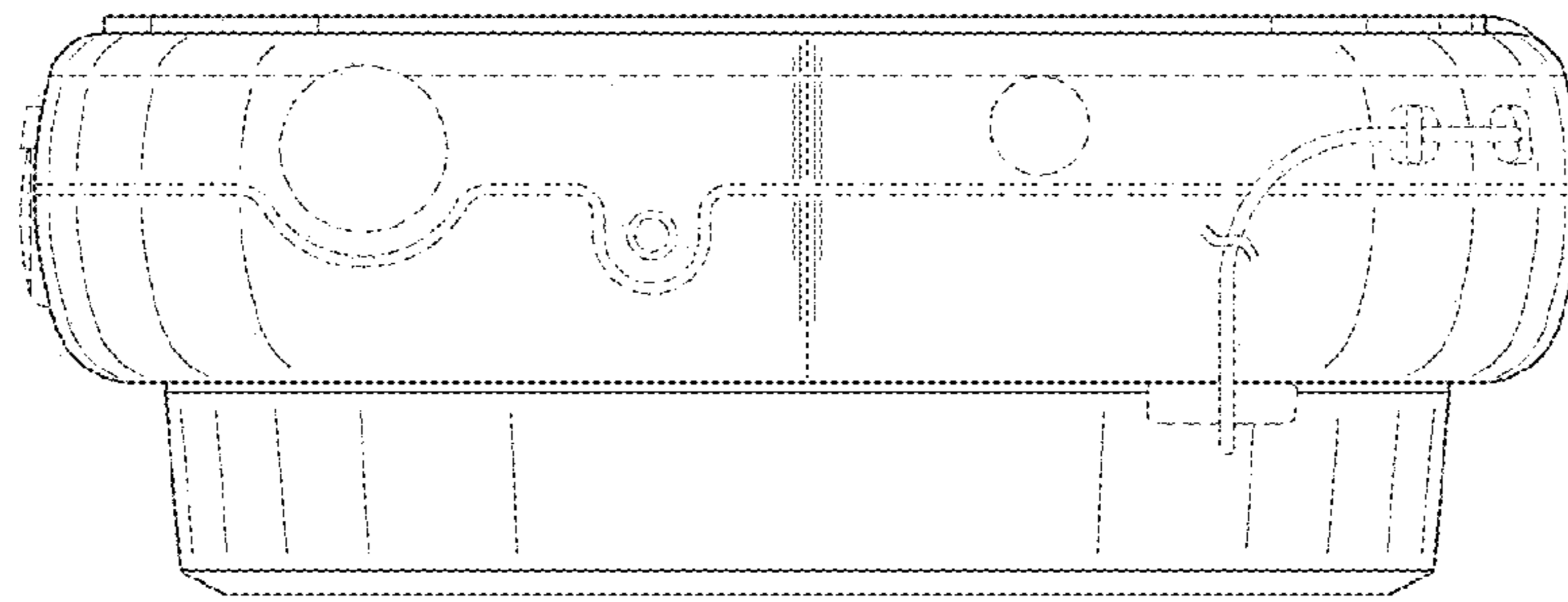


FIG.17

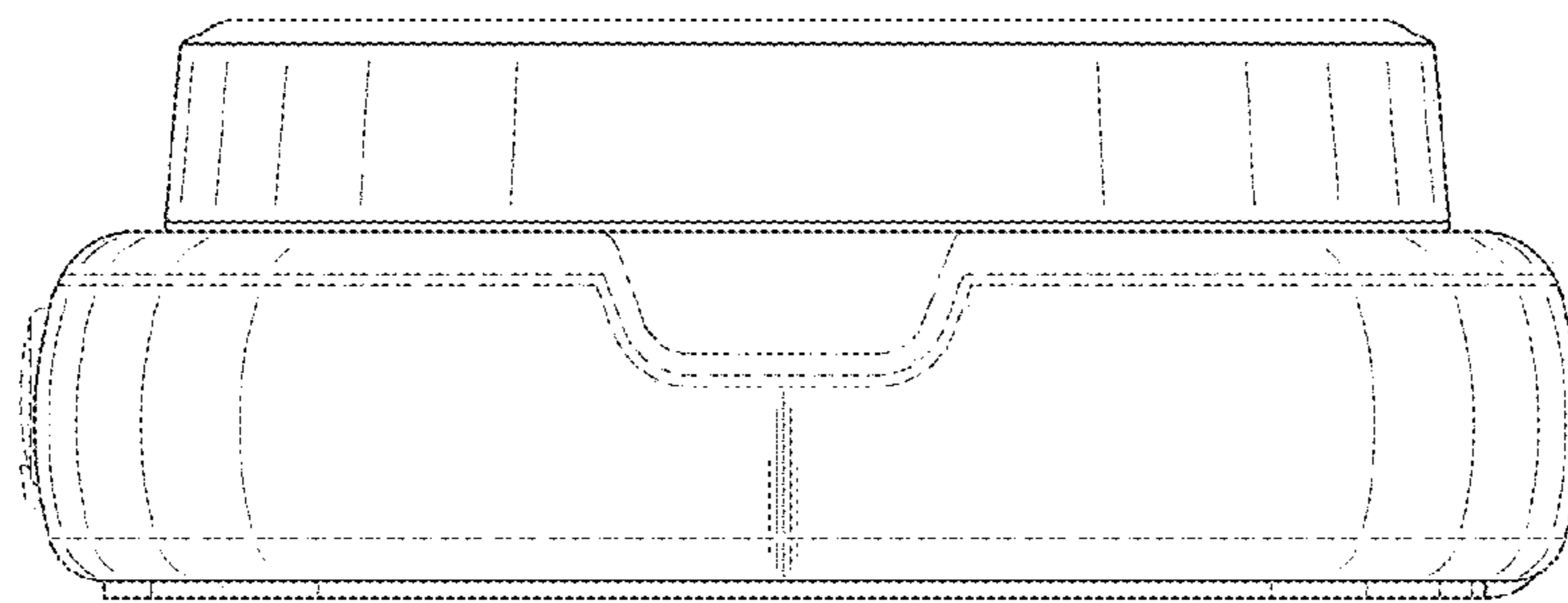


FIG.18

