



US00D749550S

(12) **United States Design Patent**
Shin et al.

(10) **Patent No.:** **US D749,550 S**

(45) **Date of Patent:** **** Feb. 16, 2016**

(54) **TELEVISION RECEIVER**

(56) **References Cited**

(71) Applicant: **Samsung Electronics Co., Ltd.**,
Suwon-si, Gyeonggi-do (KR)

(72) Inventors: **Rina Shin**, Seoul (KR); **Hyung-Ho**
Hwangbo, Seoul (KR); **Hae-Sung Park**,
Seoul (KR); **Christopher Edward**
Bangle, Clavesana (IT)

(73) Assignee: **SAMSUNG ELECTRONICS CO.,**
LTD. (KR)

U.S. PATENT DOCUMENTS

D417,443	S	*	12/1999	Geiszler	D14/432
D591,740	S	*	5/2009	Luke et al.	D14/341
D607,427	S	*	1/2010	Ho et al.	D14/138 AD
D614,185	S	*	4/2010	Chien	D14/374
D628,200	S	*	11/2010	Ko et al.	D14/374
D653,255	S	*	1/2012	Chu et al.	D14/374
D657,789	S	*	4/2012	Lee et al.	D14/374
D661,680	S	*	6/2012	Wei et al.	D14/155
D698,325	S	*	1/2014	Kim et al.	D14/126
D705,813	S	*	5/2014	Deguchi	D14/498
D715,241	S	*	10/2014	Jang et al.	D14/126

* cited by examiner

(**) Term: **14 Years**

Primary Examiner — Susan Bennett Hattan

Assistant Examiner — Brett Miller

(21) Appl. No.: **29/472,309**

(74) *Attorney, Agent, or Firm* — Cantor Colburn LLP

(22) Filed: **Nov. 11, 2013**

(57) **CLAIM**

The ornamental design for a television receiver, as shown and described.

(30) **Foreign Application Priority Data**

DESCRIPTION

May 11, 2013 (KR) 30-2013-0024897

(51) **LOC (10) Cl.** **14-03**

(52) **U.S. Cl.**
USPC **D14/239**

(58) **Field of Classification Search**
USPC D14/371–382, 125–134, 239, 448–452,
D14/136, 341, 479, 389, 397, 308, 412, 157,
D14/155, 511, 432, 498, 138 AD;
361/679.02; 348/836, 838, 180, 184,
348/325, 739; 248/917–924, 465; 345/104;
D6/300, 301, 302, 308, 310–314

CPC G01F 1/1601

See application file for complete search history.

FIG. 1 is a perspective view of a television receiver, showing our new design;

FIG. 2 is a front view thereof;

FIG. 3 is a rear view thereof;

FIG. 4 is a side view thereof;

FIG. 5 is another side view thereof;

FIG. 6 is a top plan view thereof;

FIG. 7 is a bottom plan view thereof;

FIG. 8 is a rear perspective view thereof; and,

FIG. 9 is a perspective view of the stand portion of the television receiver with the broken lines removed for clarity of illustration.

The broken lines are for environmental purpose only and form no part of the claimed design.

The shade lines in the figures show contour and not surface ornamentation.

1 Claim, 7 Drawing Sheets

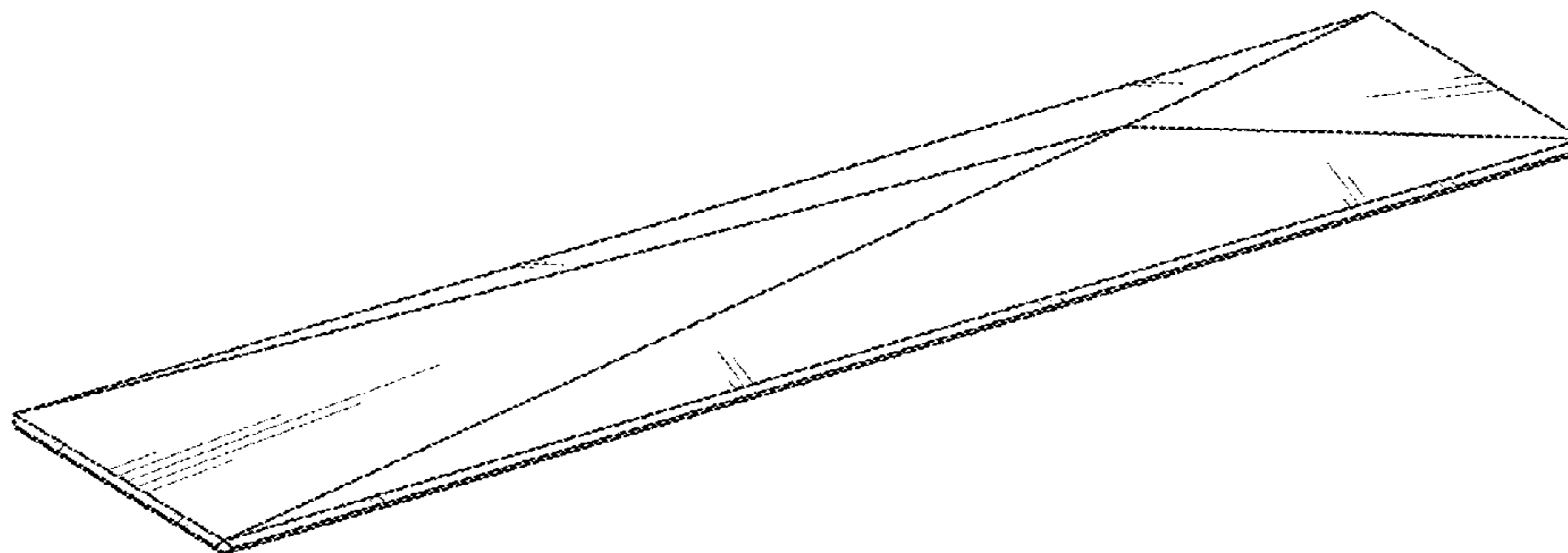


FIG. 1

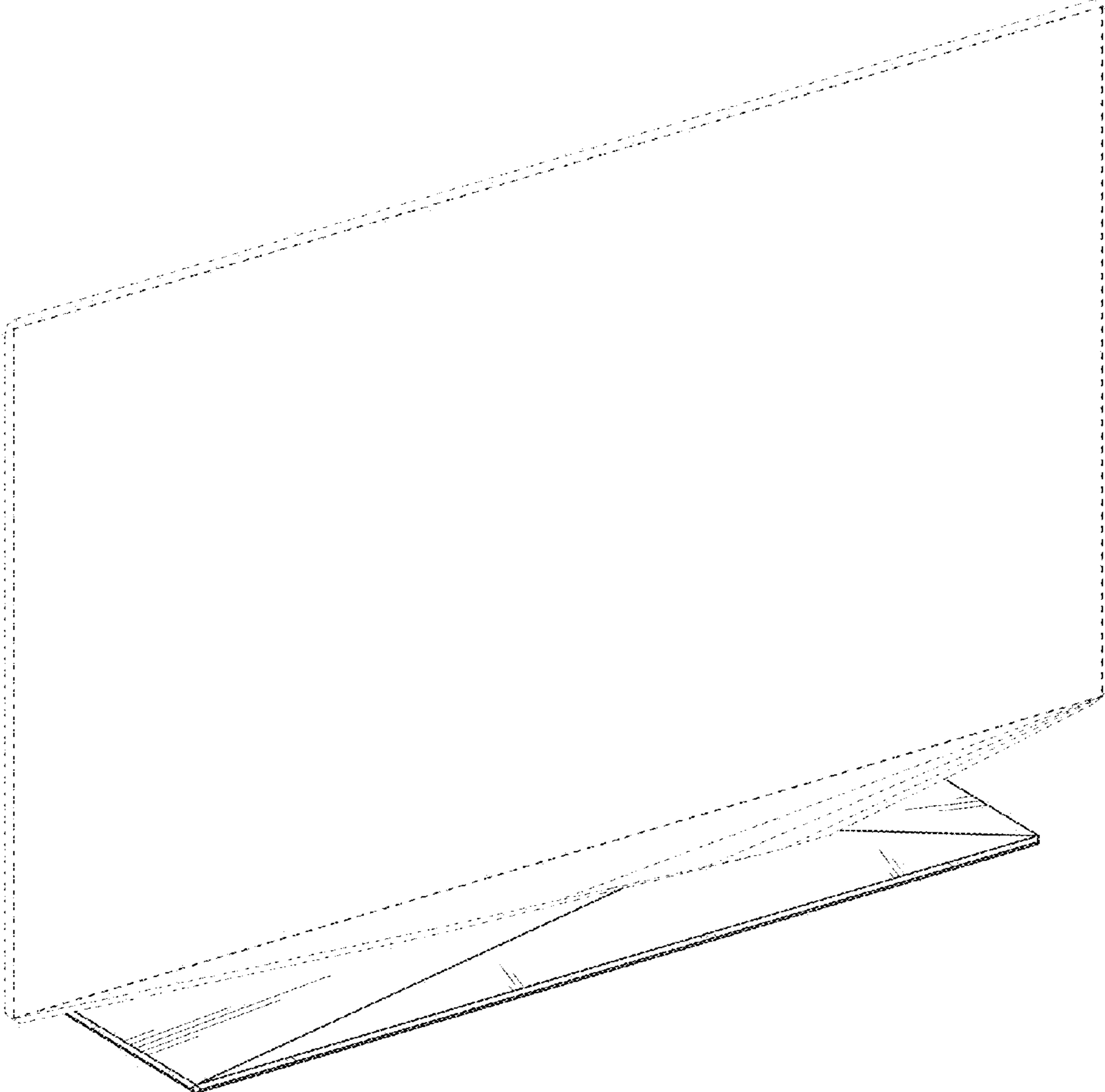


FIG. 2

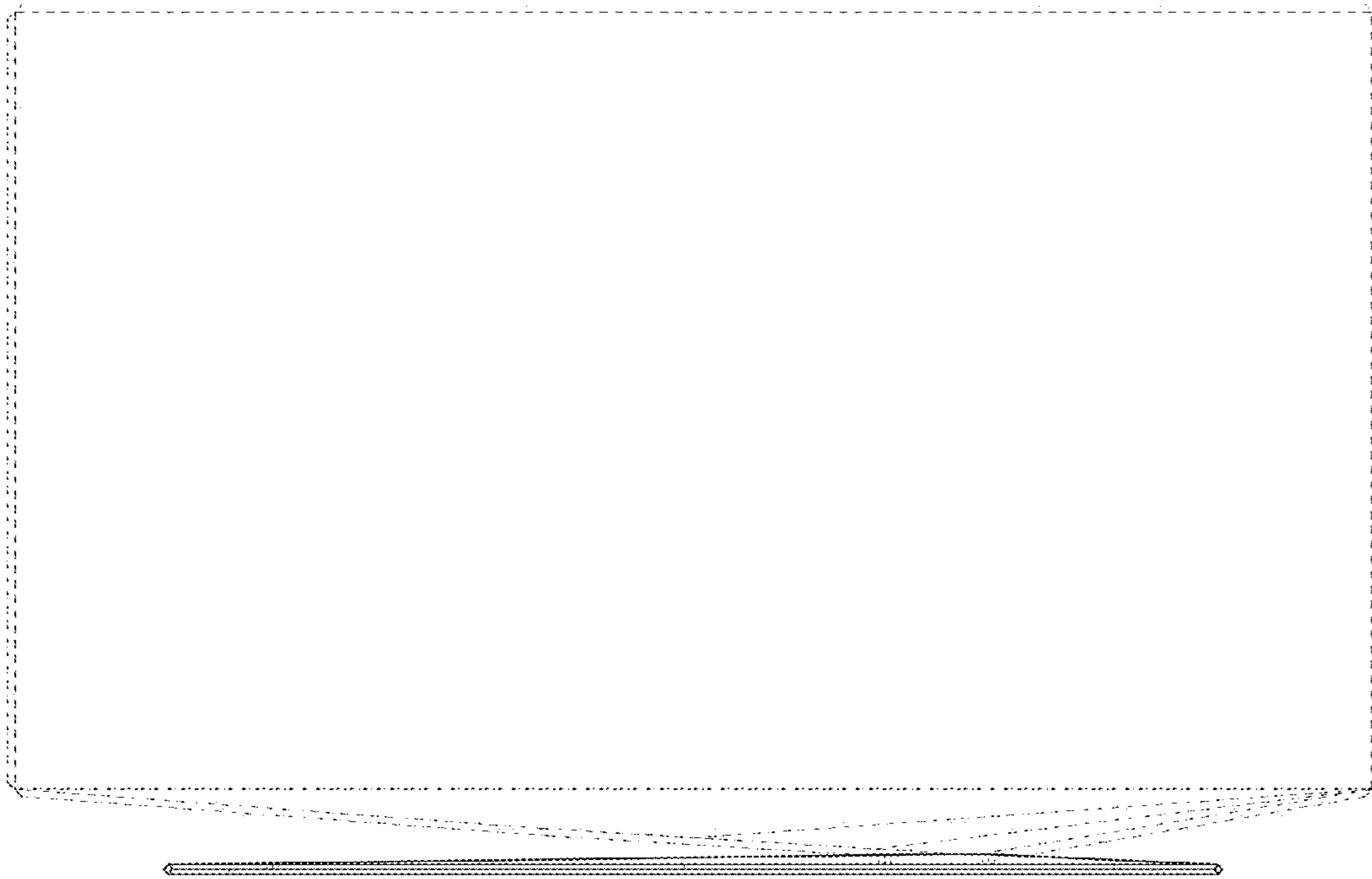


FIG. 3

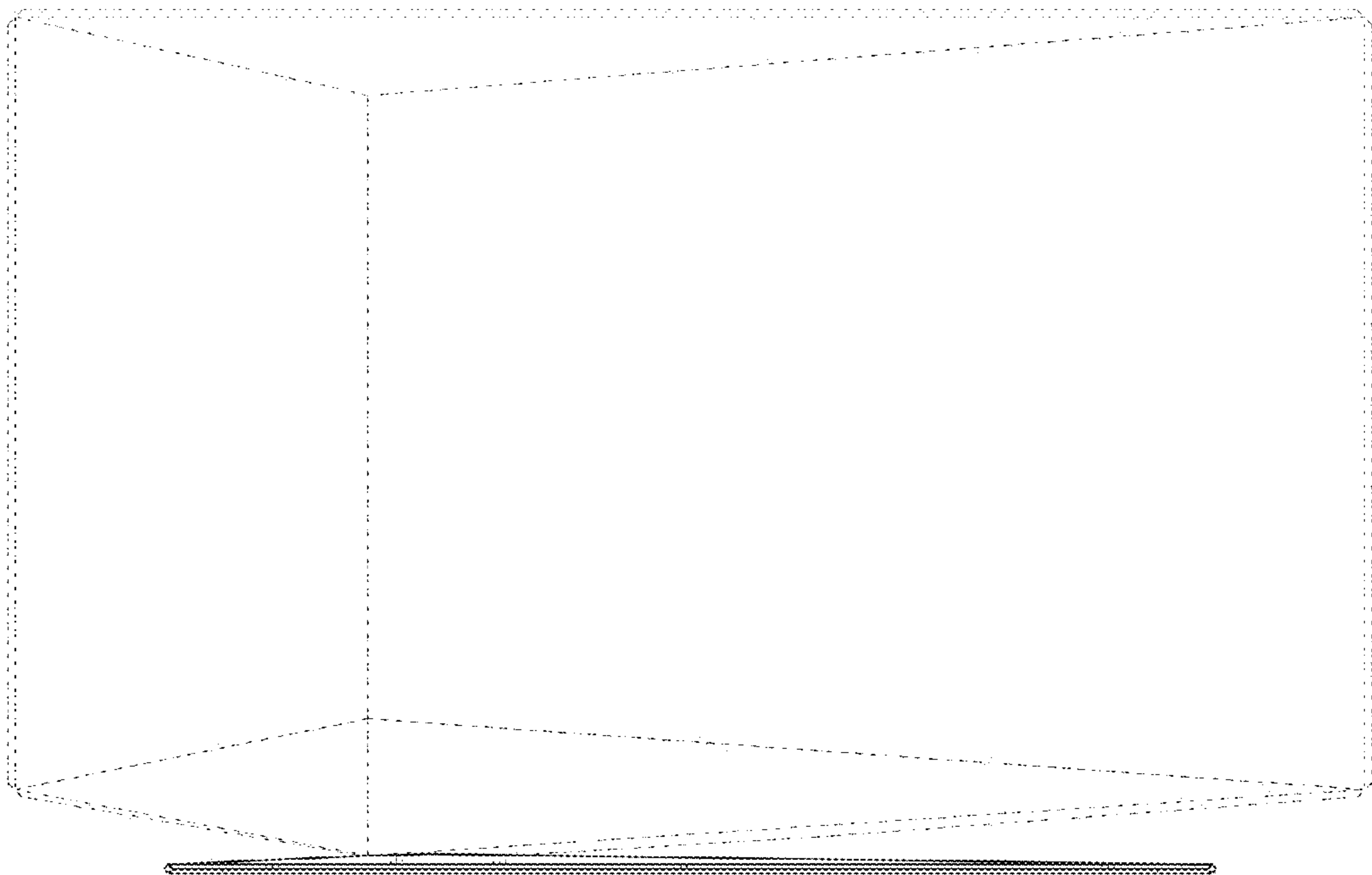


FIG. 4

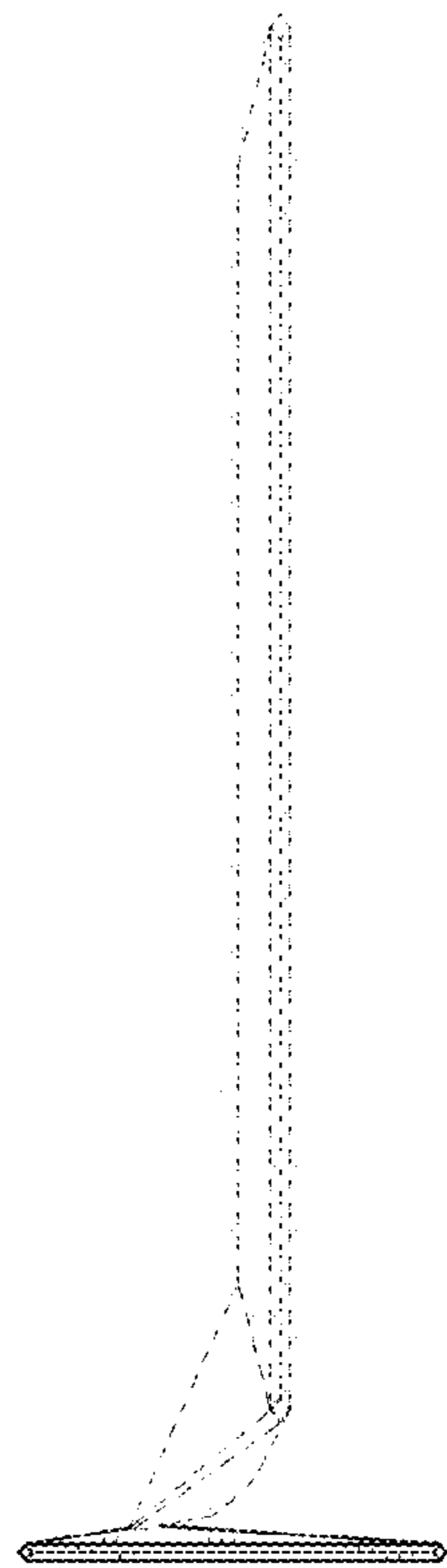


FIG. 5

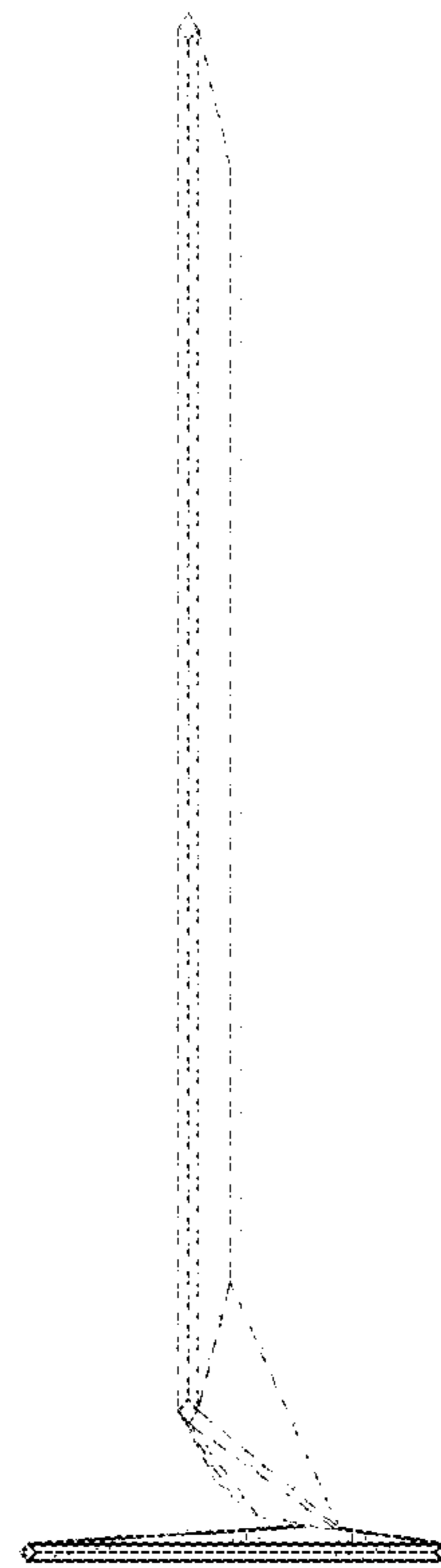


FIG. 6

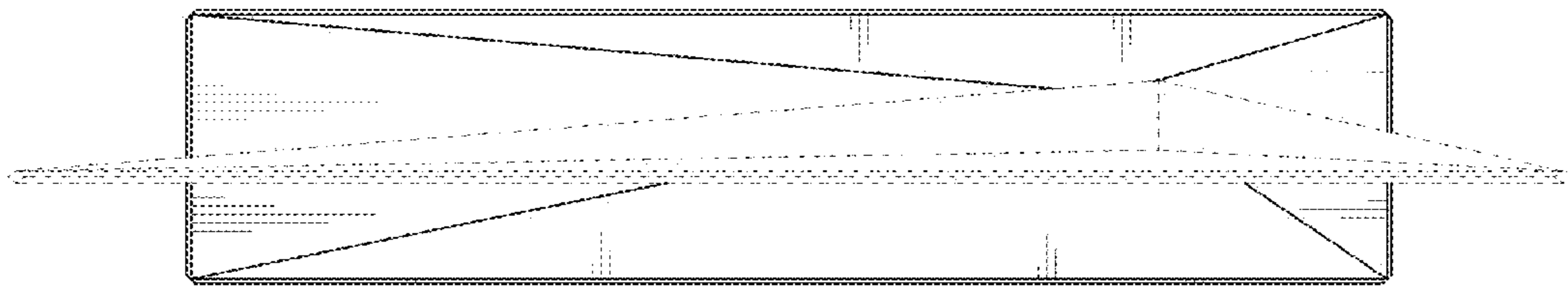


FIG. 7

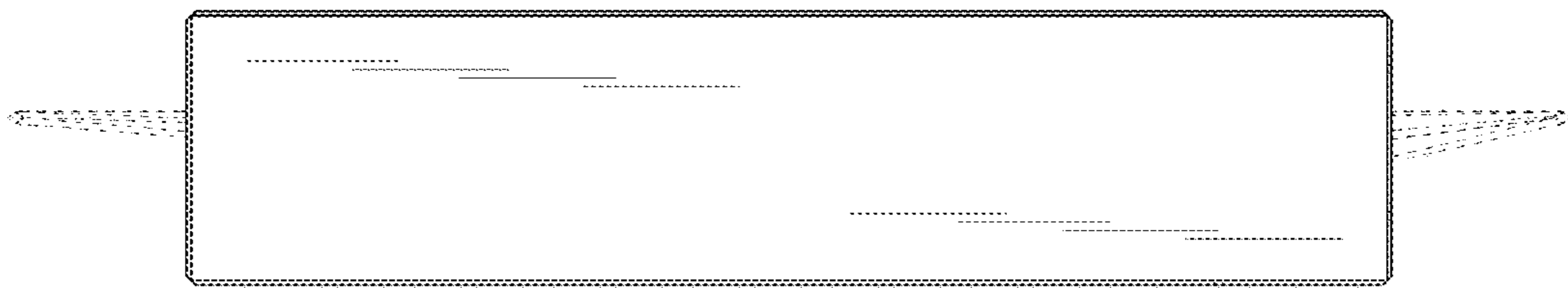


FIG. 8

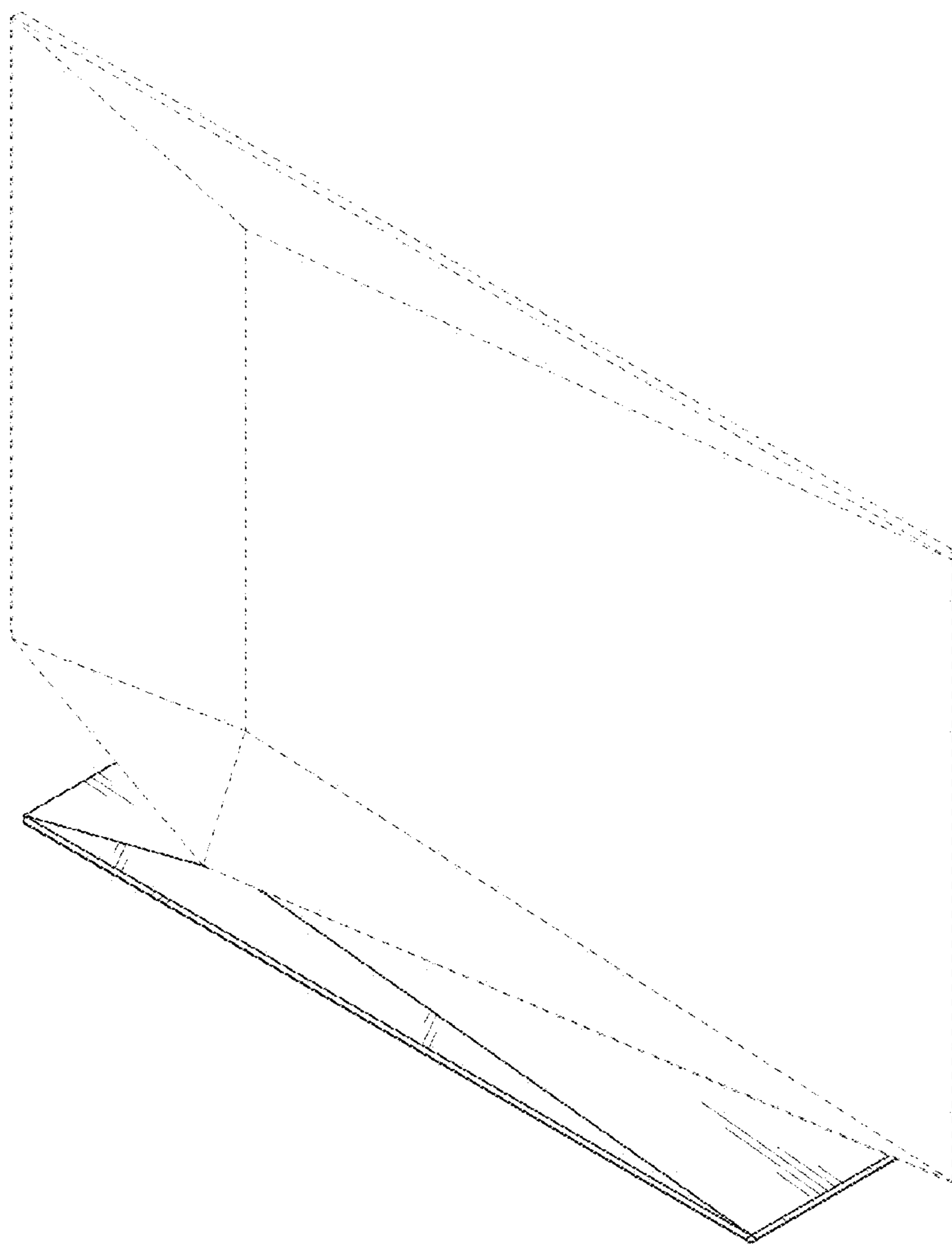


FIG. 9

