



US00D749547S

(12) **United States Design Patent**
Chandel et al.

(10) **Patent No.:** **US D749,547 S**
(45) **Date of Patent:** **** Feb. 16, 2016**

(54) **REMOTE CONTROL**

(71) Applicant: **Google Inc.**, Mountain View, CA (US)

(72) Inventors: **Alok Chandel**, Sunnyvale, CA (US);
Pierre-Yves Laligand, Mountain View, CA (US)

(73) Assignee: **Google Inc.**, Mountain View, CA (US)

(**) Term: **14 Years**

(21) Appl. No.: **29/514,001**

(22) Filed: **Jan. 7, 2015**

Related U.S. Application Data

(62) Division of application No. 29/448,781, filed on Mar. 13, 2013, now Pat. No. Des. 724,058.

(51) **LOC (10) Cl.** **14-03**

(52) **U.S. Cl.**
USPC **D14/218**

(58) **Field of Classification Search**
USPC D14/174, 217–218, 511; D13/162–164, D13/168, 454
CPC . G08C 23/04; G05D 1/0038; H04N 5/23203; H04N 7/142; H03G 9/02; H03G 3/001; H03G 1/02; H03G 3/04
See application file for complete search history.

(56) **References Cited**

U.S. PATENT DOCUMENTS

D190,810 S 7/1961 Dreyfuss
D291,888 S 9/1987 Fong et al.
D342,258 S 12/1993 Saito et al.

(Continued)

FOREIGN PATENT DOCUMENTS

EM WO D082132-001 * 11/2013
JP D1071755 * 5/2000

(Continued)

OTHER PUBLICATIONS

Android TV Remote Control—Android Apps on Google Play, website copyright 2015, online, <https://play.google.com/store/apps/details?id=com.google.android.tv.remote&hl=en>, [site visited Aug. 8, 2015 7:20:52 PM].*

(Continued)

Primary Examiner — John Windmuller

Assistant Examiner — John R Yeh

(74) *Attorney, Agent, or Firm* — Byrne Poh LLP

(57) **CLAIM**

We claim the ornamental design for a remote control, as shown and described.

DESCRIPTION

FIG. 1 is a top perspective view of a remote control in accordance with our design.

FIG. 2 is a bottom perspective view of the remote control shown in FIG. 1.

FIG. 3 is a right side view of the remote control shown in FIG. 1.

FIG. 4 is a left side view of the remote control shown in FIG. 1.

FIG. 5 is a front side view of the remote control shown in FIG. 1.

FIG. 6 is a rear side view of the remote control shown in FIG. 1.

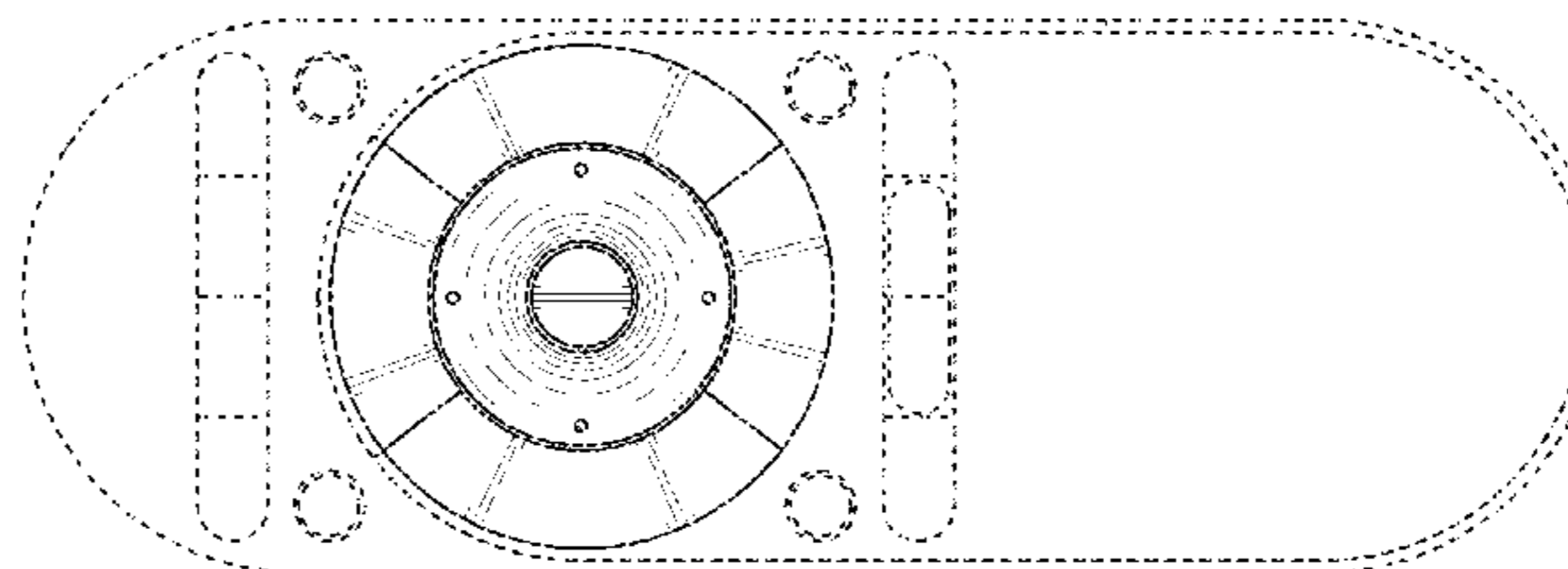
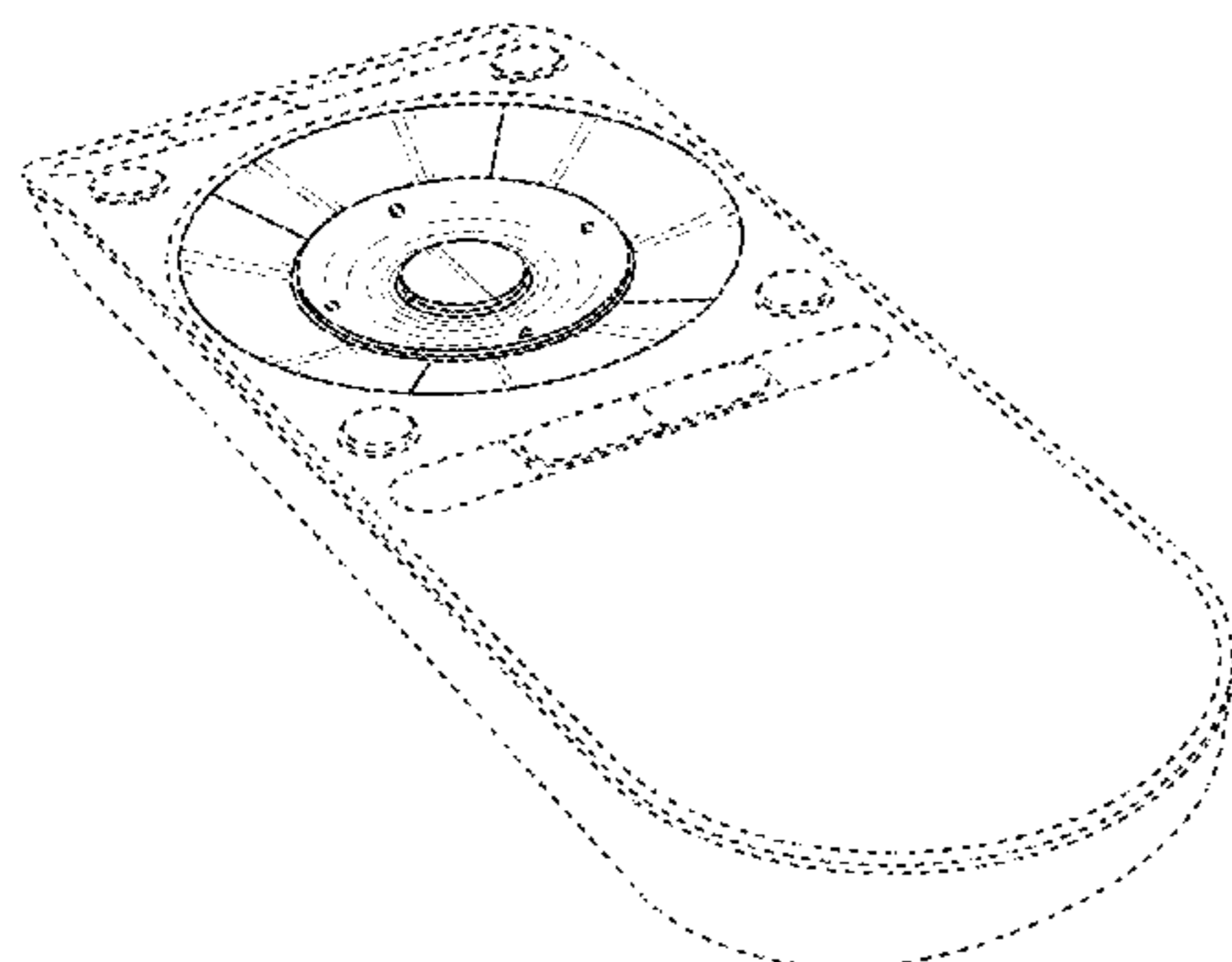
FIG. 7 is a top view of the remote control shown in FIG. 1.

FIG. 8 is a bottom view of the remote control shown in FIG. 1; and,

FIG. 9 is a rear perspective view of the remote control shown in FIG. 1.

The broken lines in the figures show portions of the remote control which form no part of the claimed design.

1 Claim, 7 Drawing Sheets



(56)

References Cited

U.S. PATENT DOCUMENTS

D387,060 S 12/1997 Inukai
 5,973,757 A 10/1999 Aubuchon et al.
 D421,016 S 2/2000 Bowen et al.
 D422,594 S 4/2000 Henderson et al.
 D433,404 S 11/2000 Thakur
 D483,281 S 12/2003 Cobigo
 D494,230 S 8/2004 Allen
 D496,638 S 9/2004 Deubler, Jr.
 D500,484 S 1/2005 Deguchi
 D561,730 S * 2/2008 Deubler et al. D14/138 AA
 D571,305 S * 6/2008 Thursfield D13/168
 D578,993 S * 10/2008 Yamada et al. D14/159
 D581,370 S * 11/2008 Corsini et al. D13/168
 D596,163 S * 7/2009 Madonna et al. D14/218
 D633,478 S * 3/2011 Bolton D14/218
 D648,326 S * 11/2011 Sung et al. D14/218
 D663,721 S * 7/2012 McManigal et al. D14/218
 D673,139 S * 12/2012 Choi et al. D14/218
 D679,680 S * 4/2013 Wood et al. D14/218
 D690,695 S * 10/2013 Butterworth D14/388
 D695,272 S * 12/2013 Hansen et al. D14/218
 D709,480 S * 7/2014 Kim D14/218
 D713,820 S * 9/2014 O'Neil D14/218
 D722,046 S * 2/2015 Kuh D14/218
 D724,058 S * 3/2015 Chandel et al. D14/218
 2004/0224717 A1 11/2004 Hertzberg et al.
 2014/0049696 A1 * 2/2014 Sirpal et al. 348/734

FOREIGN PATENT DOCUMENTS

JP D1238019 5/2005
 JP D1365964 * 10/2009
 JP D1385908 4/2010
 JP D1479307 * 9/2013
 KR 300411090-0000 4/2006
 KR 300488742-0000 4/2008
 KR 300608372.0000 * 8/2011
 KR 300663666.0000 * 10/2012
 RU 00078456 5/2011

OTHER PUBLICATIONS

Google Nexus Player review—date Mar. 26 2015, online, <http://www.expertreviews.co.uk/tvs-entertainment/media-streamers/1402995/google-nexus-player-review-android-tv-isnt-quite-ready>, [site visited Aug. 8, 2015 7:23:57 PM].*

Eric's Electronics, Megafeis Google Android 4.2 1G DDR3 USB Wifi HDMI Bluetooth Smart Internet TV Dongle, website copyright 2015, online, <http://www.ericselectronics.com/...net-tv-dongle-mini-tv-box-adapter-set-top-box-with-2-4ghz-wireless-fly-android-remote-control-acceleratio/>, [site visited Aug. 8, 2015 7:27:37 PM].*

Pc Tv Box Google Android 4.0 Tv Box, website copyright 2015, online, <http://www.dhgate.com/product/google-android-4-0-tv-box-allwinner-a10-cortex/158570334.html>, [site visited Aug. 8, 2015 7:29:51 PM].*

Quintezz European sales website, Sensor Touch Remote Control, website copyright 2011, <<http://www.quintezz.com/en/shop/3214-spare-parts-acc/5160-rgb-flexkit-300-led-with-remote-control-spare-parts/product/7236-sensor-touch-remote-control>>.

* cited by examiner

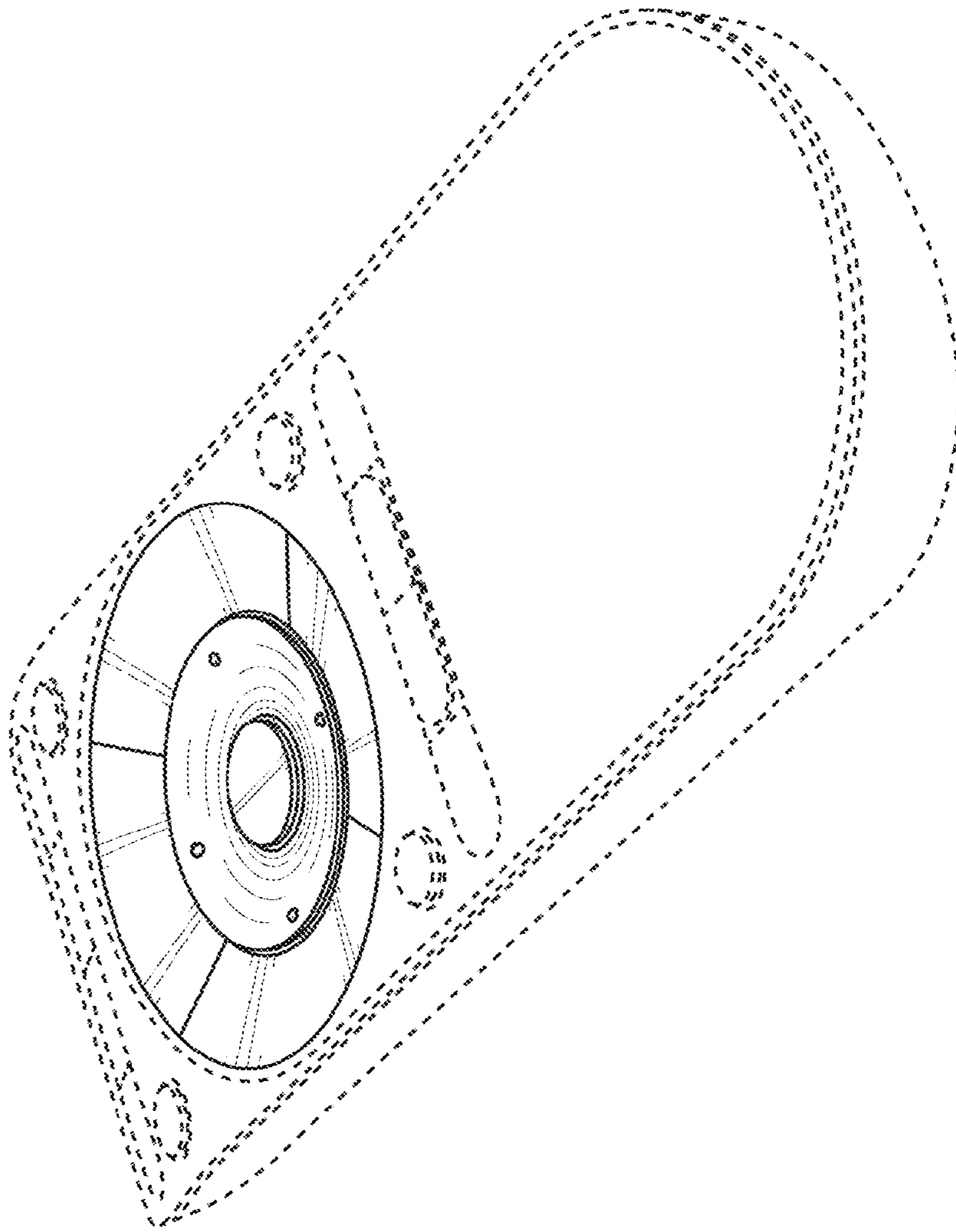


FIG. 1

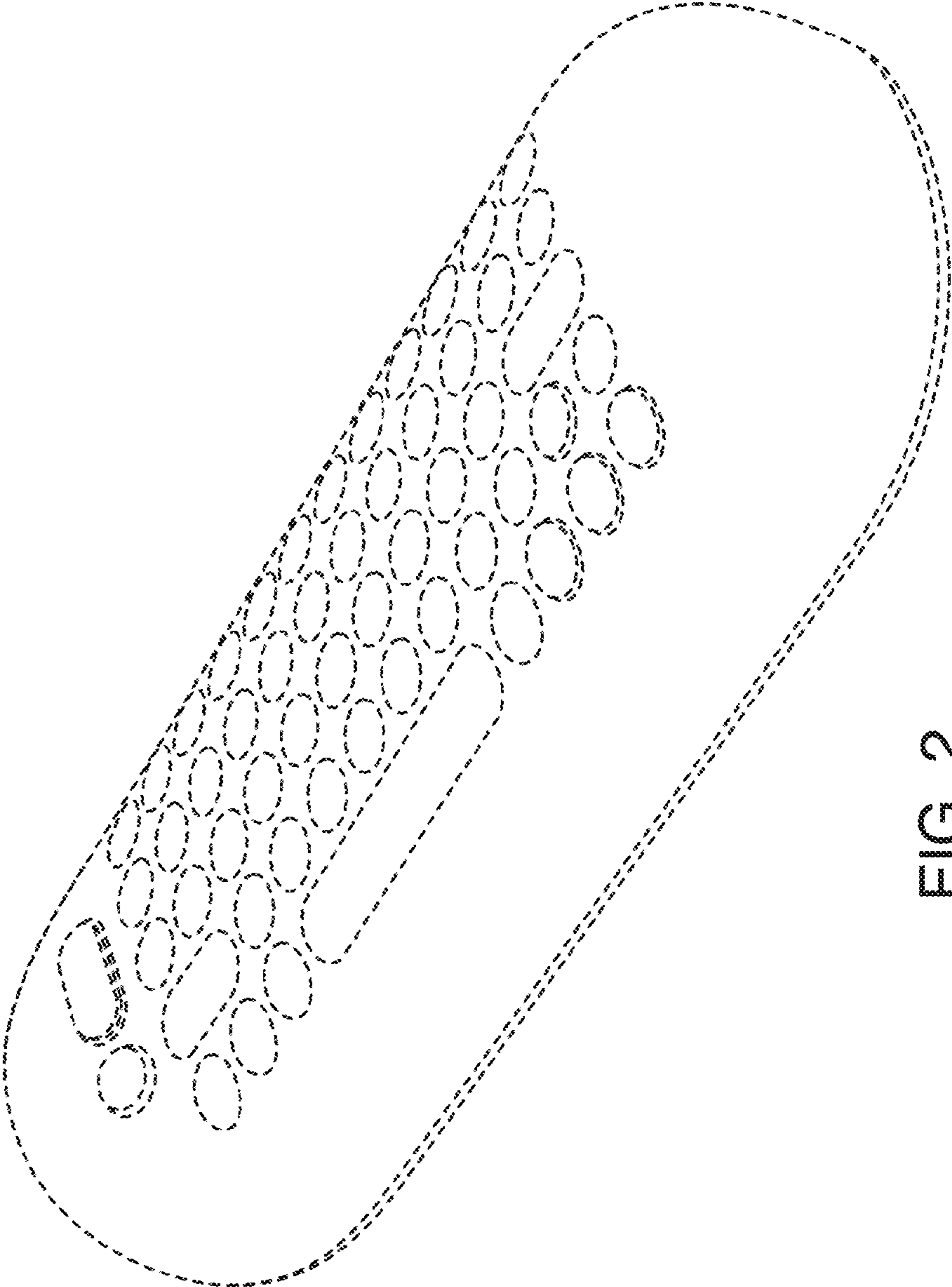


FIG. 2

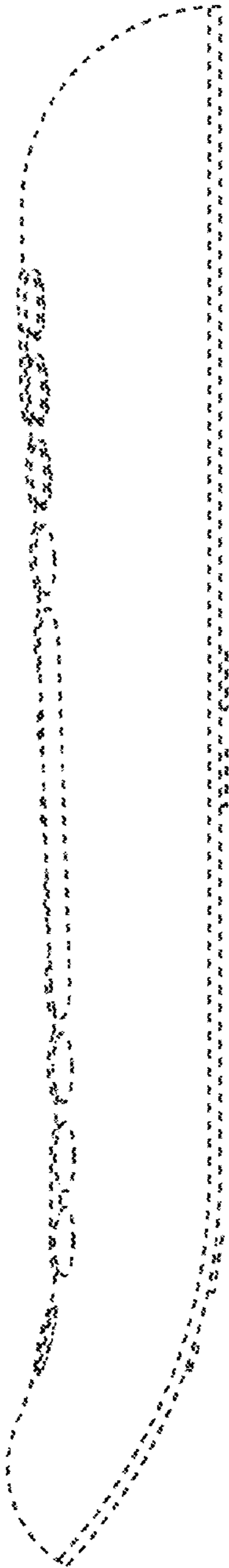


FIG. 3

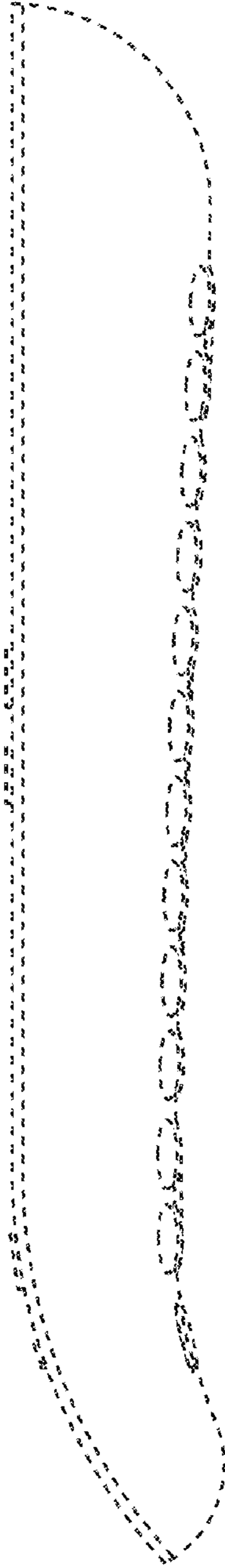


FIG. 4

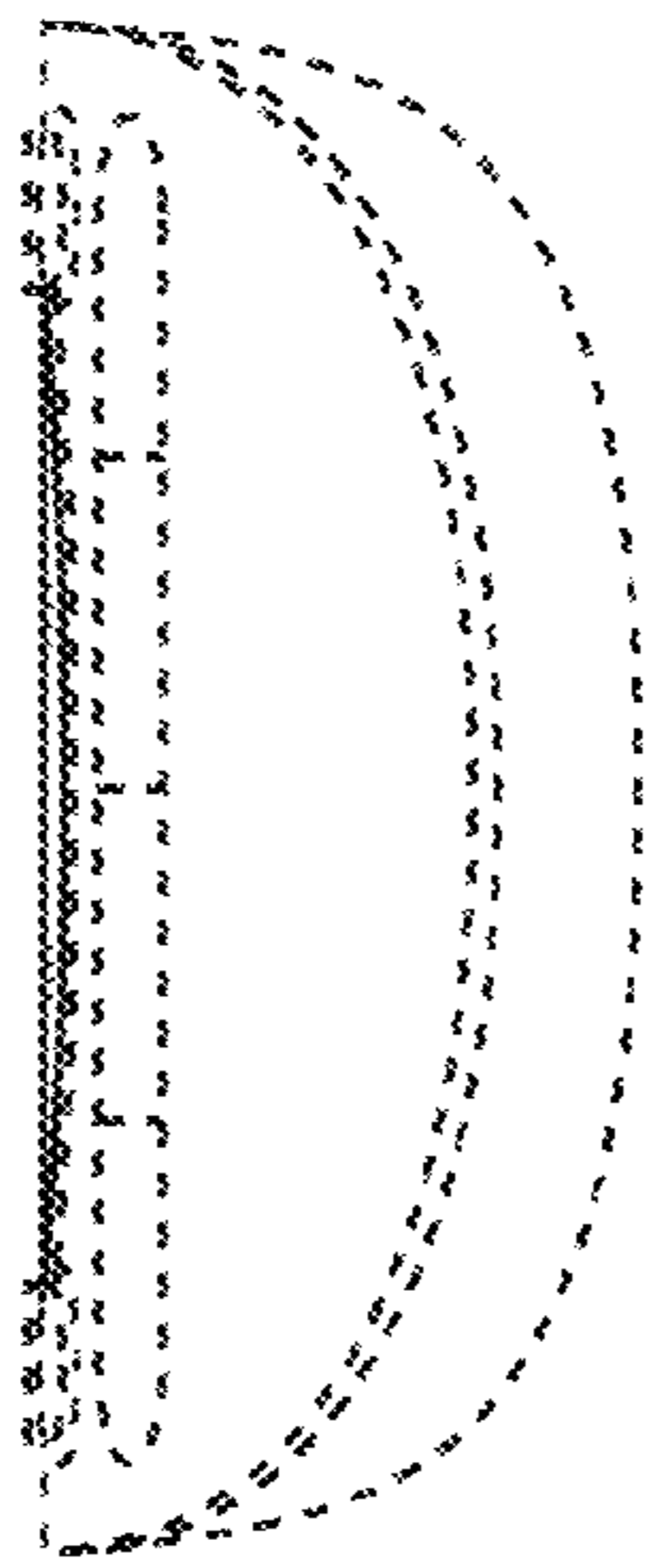


FIG. 5

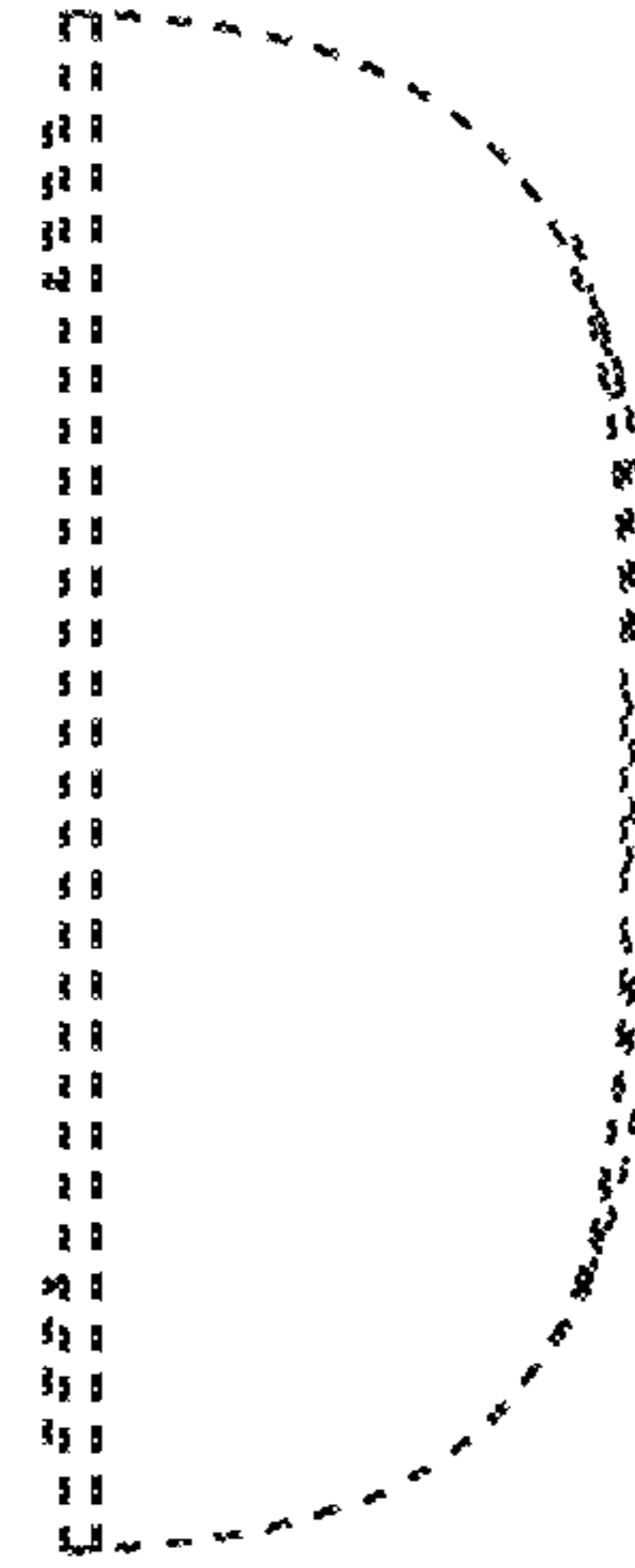


FIG. 6

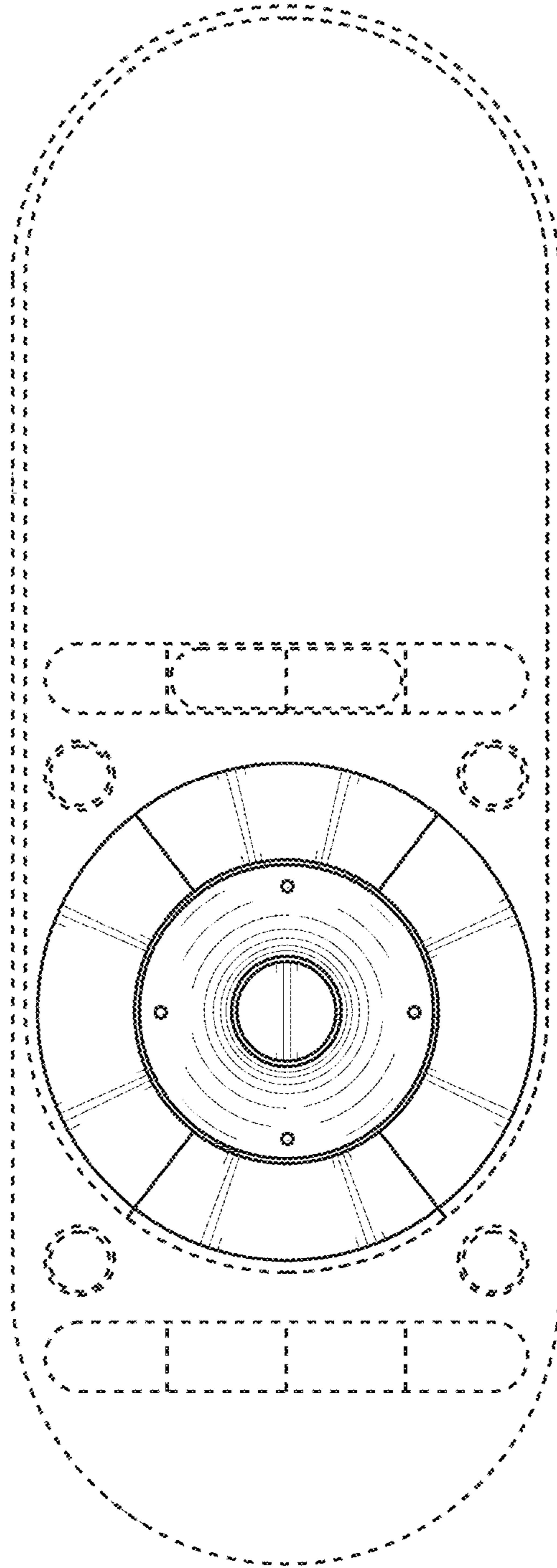


FIG. 7

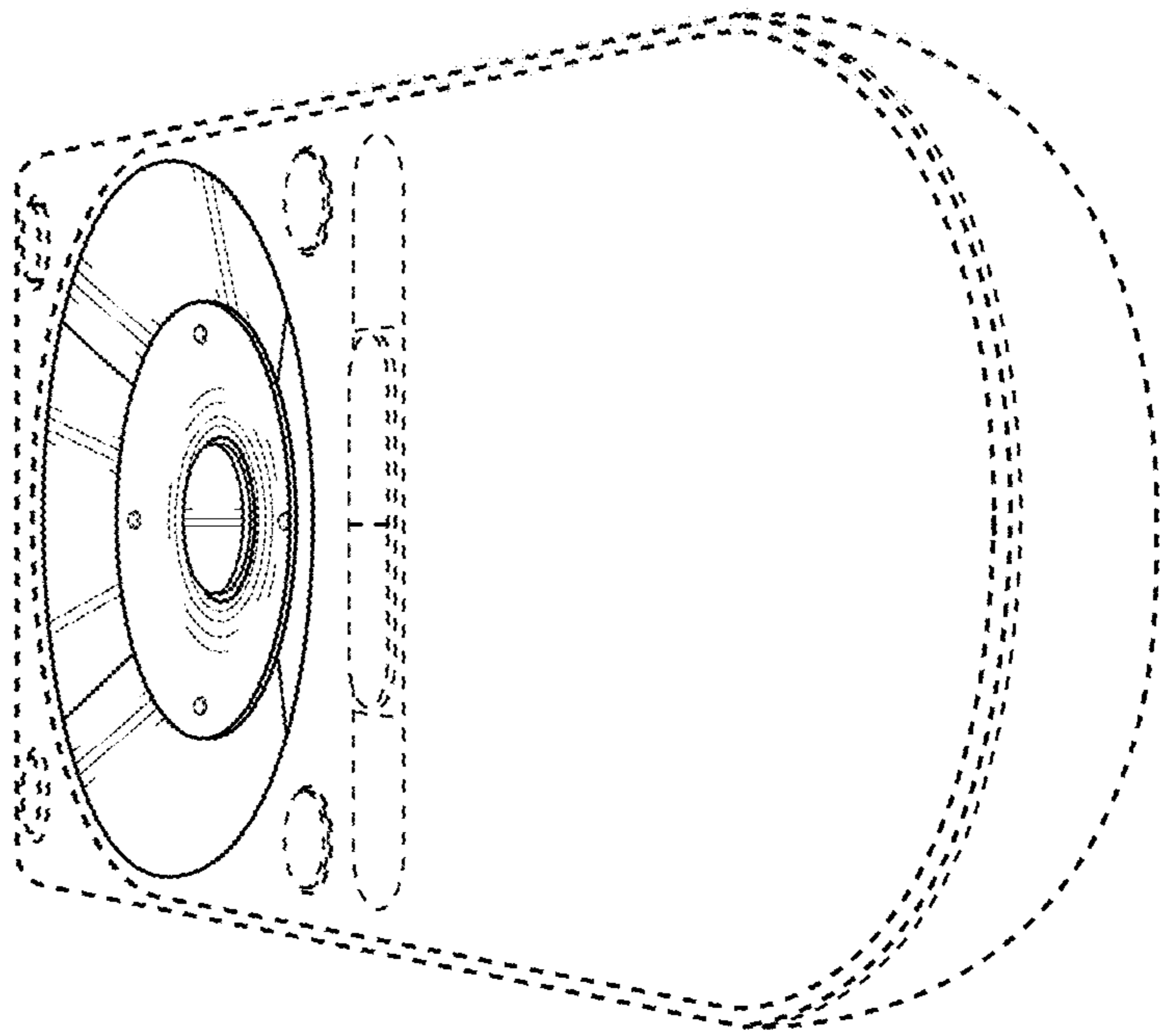


FIG. 9