



US00D749545S

(12) **United States Design Patent**
Li

(10) **Patent No.:** **US D749,545 S**

(45) **Date of Patent:** **** Feb. 16, 2016**

(54) **SPEAKER**

H04R 2499/15; H04S 3/00; H04S 7/30
See application file for complete search history.

(71) Applicant: **GIBSON INNOVATIONS BELGIUM N.V.**, Leuven (BE)

(56) **References Cited**

(72) Inventor: **Kent Jianye Li**, Hong Kong (CN)

U.S. PATENT DOCUMENTS

(73) Assignee: **GIBSON INNOVATIONS BELGIUM N.V.**, Leuven (BE)

D501,845 S *	2/2005	Allen	D14/216
D595,735 S *	7/2009	Green	D14/496
D607,135 S *	12/2009	Levine et al.	D26/80
D636,758 S *	4/2011	Tzeng	D14/214
D690,679 S *	10/2013	Chang	D14/204
D692,860 S *	11/2013	Paterson	D14/214
D695,268 S *	12/2013	Holzer	D14/209.1
D718,737 S *	12/2014	Shadovitz	D14/209.1

(**) Term: **14 Years**

* cited by examiner

(21) Appl. No.: **29/487,211**

(22) Filed: **Apr. 7, 2014**

Primary Examiner — Keli L Hill

(30) **Foreign Application Priority Data**

Oct. 7, 2013 (EM) 002321083-0002

(74) *Attorney, Agent, or Firm* — Bates & Bates, LLC; Andrea Bates; Kathryn Cox

(51) **LOC (10) Cl.** **14-03**

(52) **U.S. Cl.**
USPC **D14/216**

(57) **CLAIM**

The ornamental design for speaker, as shown and described.

(58) **Field of Classification Search**

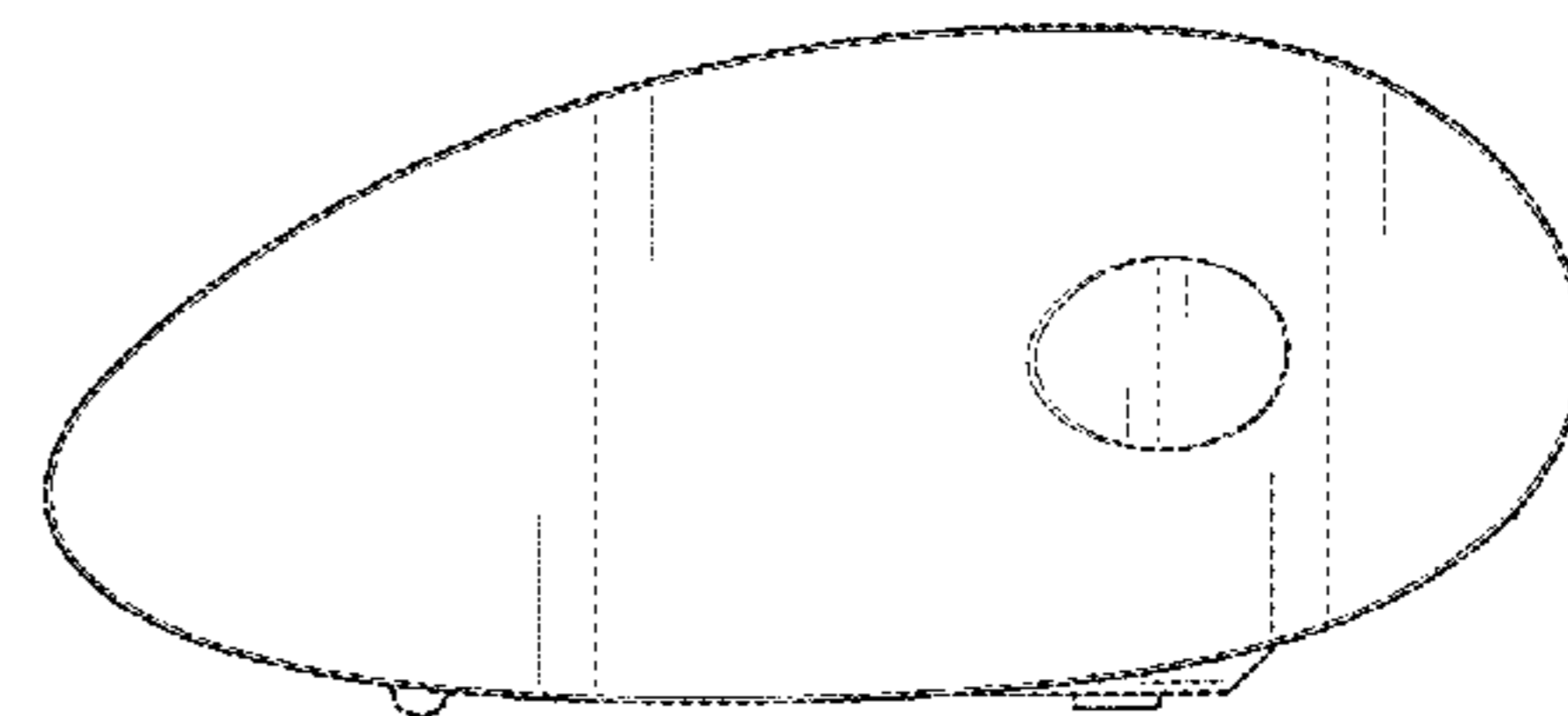
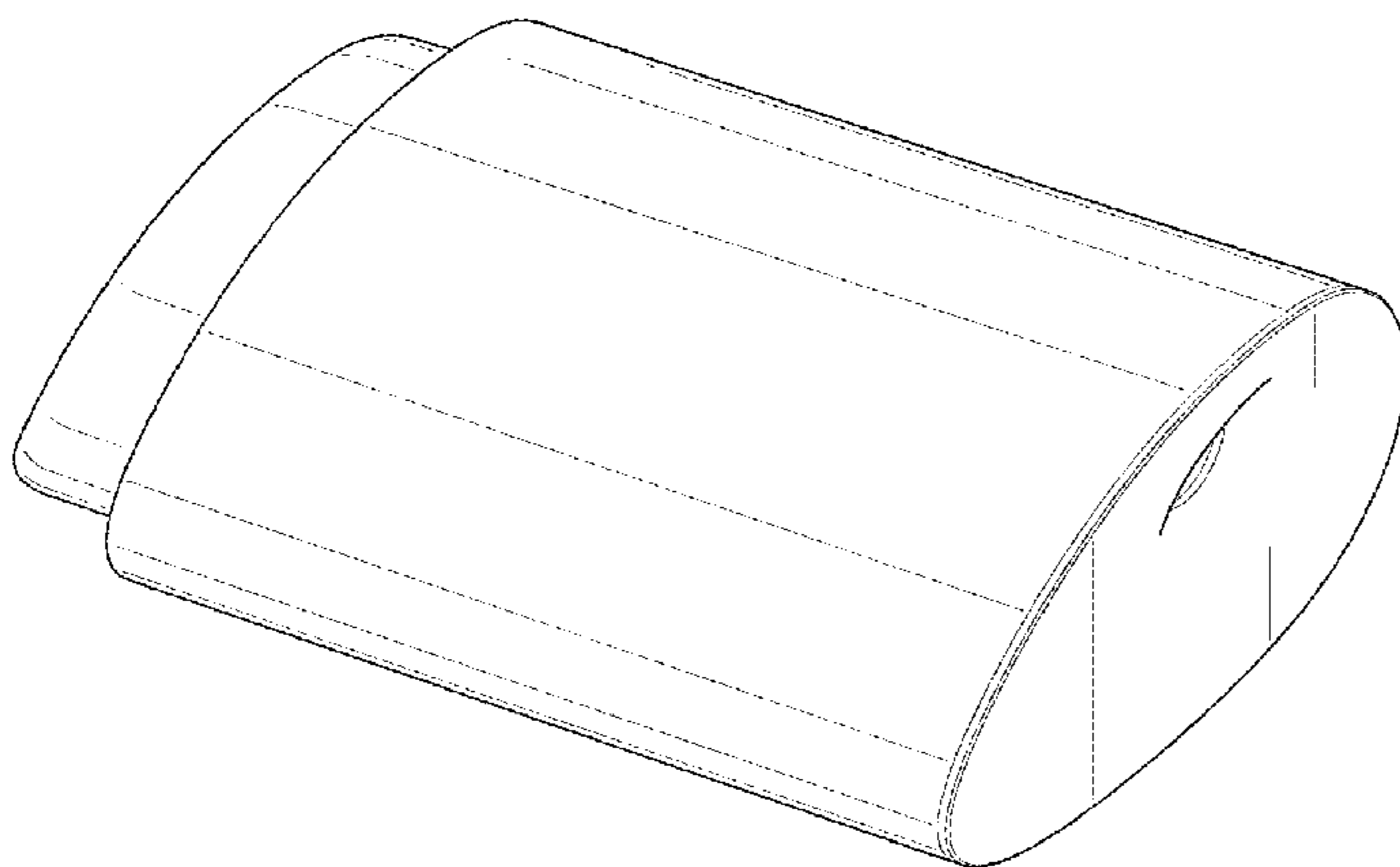
USPC D14/167, 168, 170–172, 188, 194–196,
D14/204, 207, 209.1, 210–216, 219, 221,
D14/222, 224, 496; 181/143, 144, 147, 148,
181/150, 153, 157, 198, 199; 381/300–303,
381/306, 332, 333, 336, 345, 361–364,
381/386–388; 369/6–12

CPC B60R 11/0217; G06F 1/1688; H04M 1/03;
H04M 1/035; H04R 1/02; H04R 1/06; H04R
1/021; H04R 1/025; H04R 1/026; H04R
1/028; H04R 1/105; H04R 1/323; H04R
1/403; H04R 1/2803; H04R 1/2834; H04R
5/02; H04R 7/20; H04R 9/06; H04R 9/025;
H04R 2201/021; H04R 2400/00; H04R
2400/07; H04R 2499/11; H04R 2499/13;

DESCRIPTION

FIG. 1 is a perspective view of a speaker according to the claimed design.
FIG. 2 is a front elevational view of the speaker of FIG. 1;
FIG. 3 is a rear elevational view of the speaker of FIG. 1;
FIG. 4 is a left elevational view of the speaker of FIG. 1;
FIG. 5 is a right elevational view of the speaker of FIG. 1;
FIG. 6 is a top elevational view of the speaker of FIG. 1; and,
FIG. 7 is a bottom elevational view of the speaker of FIG. 1.
The features shown in broken lines are environment only and not part of the claimed design.

1 Claim, 5 Drawing Sheets



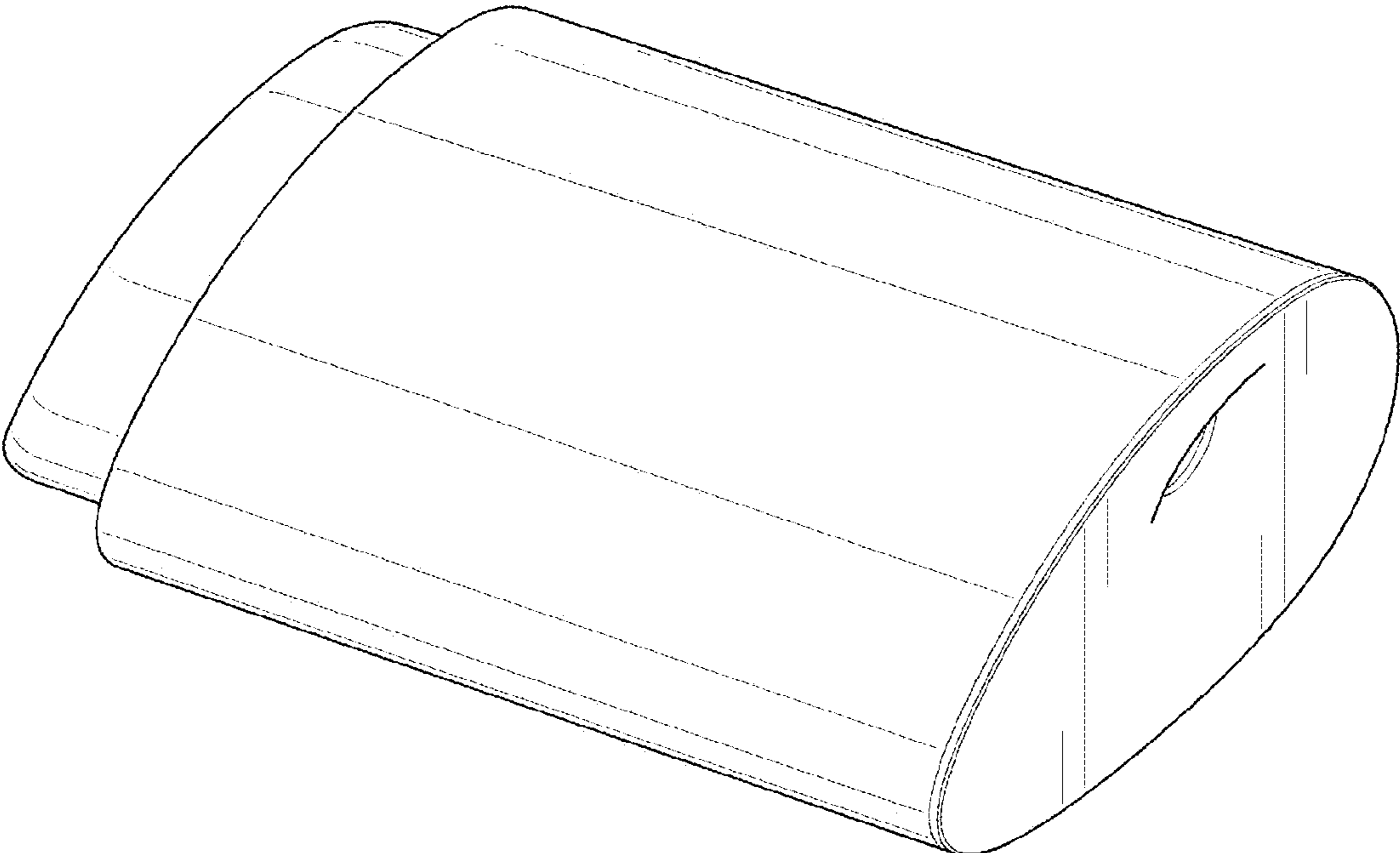


FIG. 1

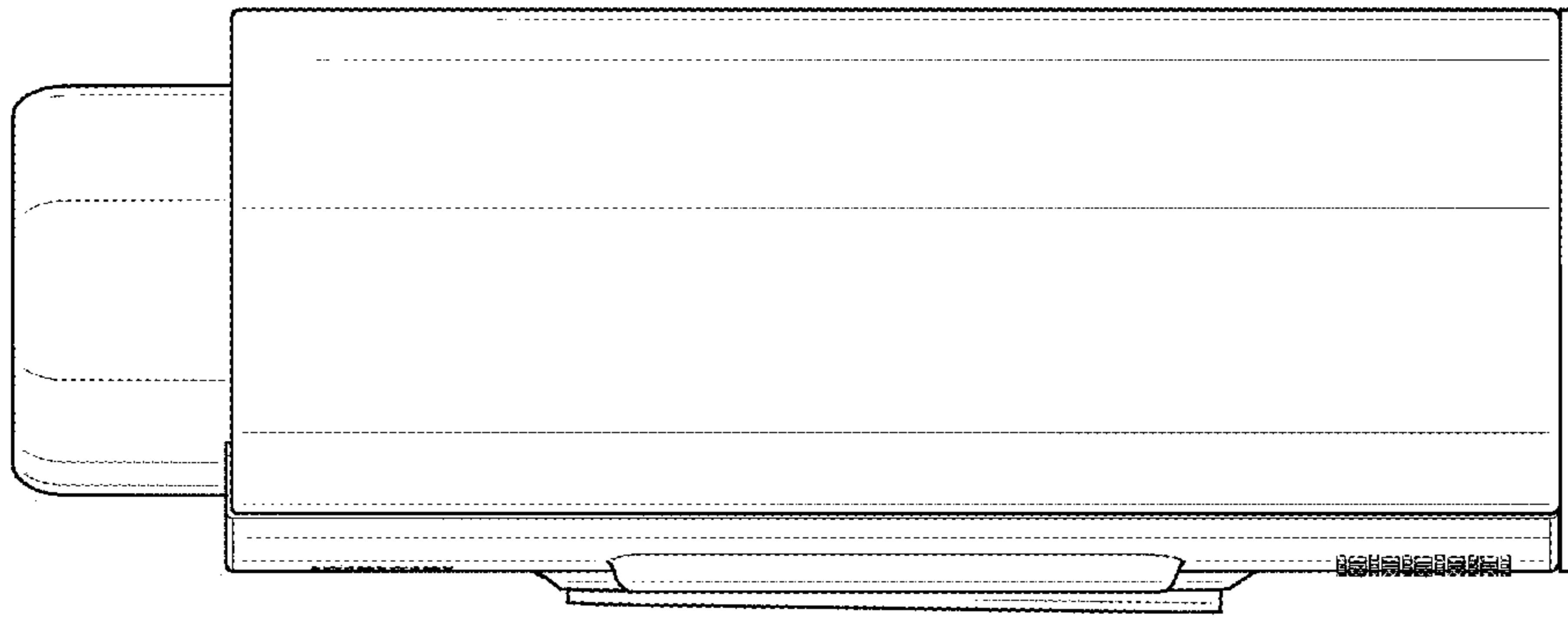


FIG. 2

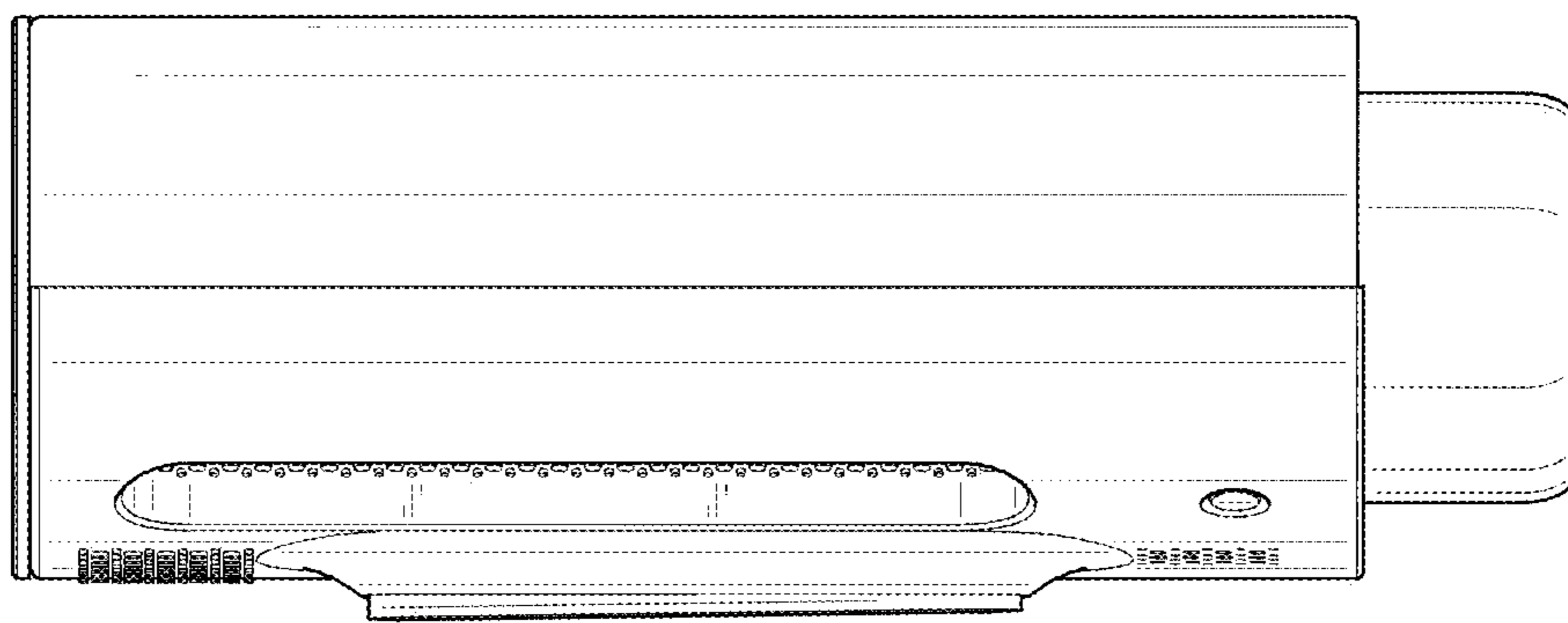


FIG. 3

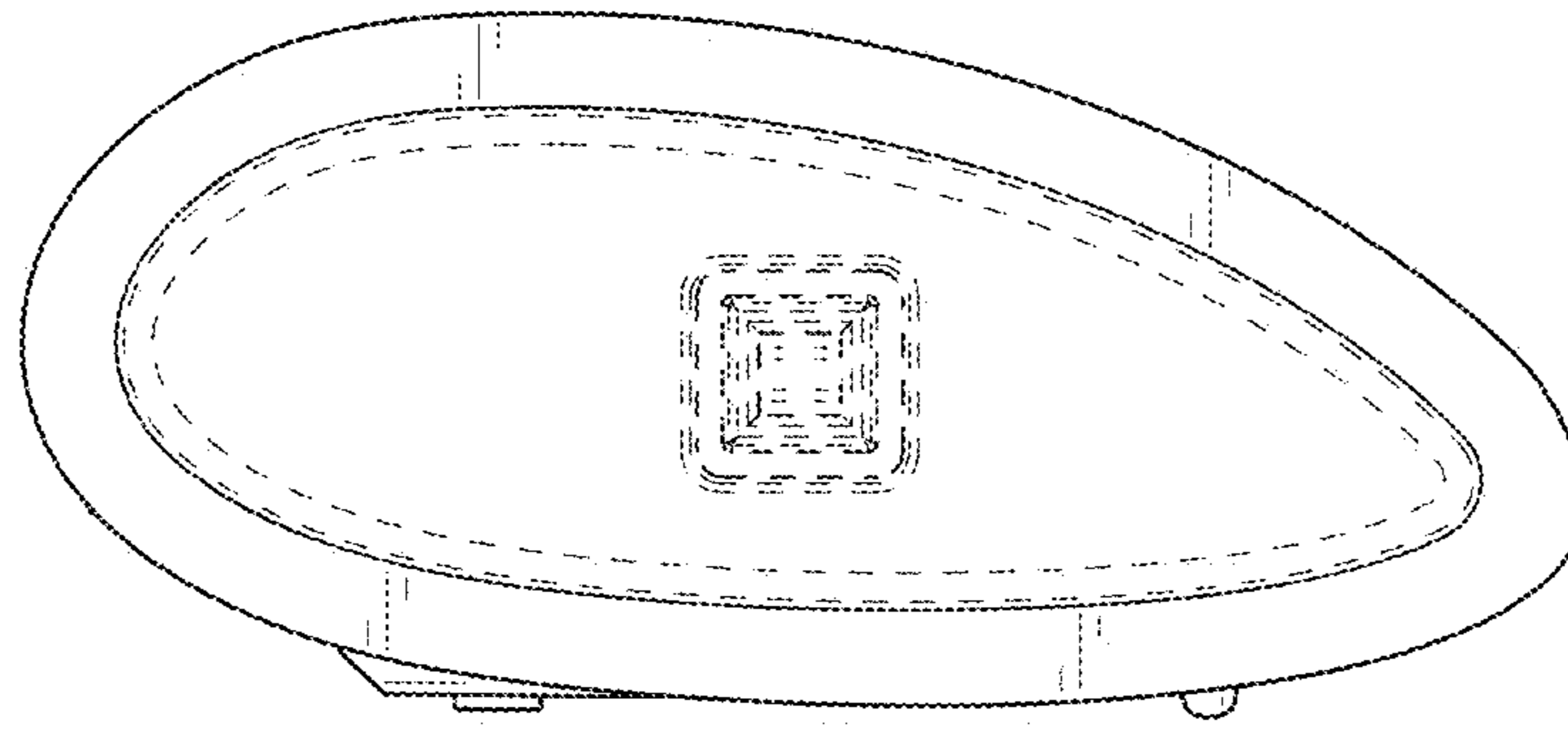


FIG. 4

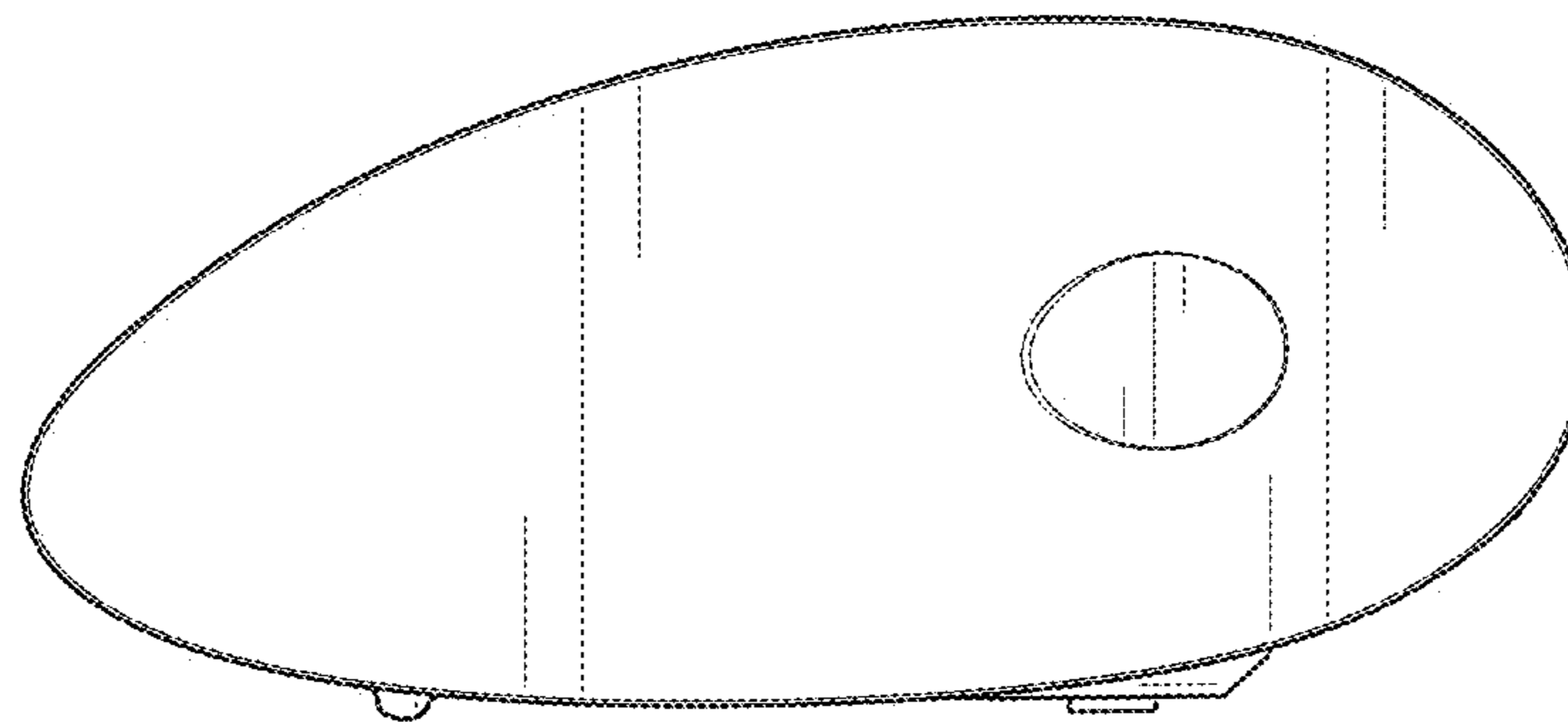


FIG. 5

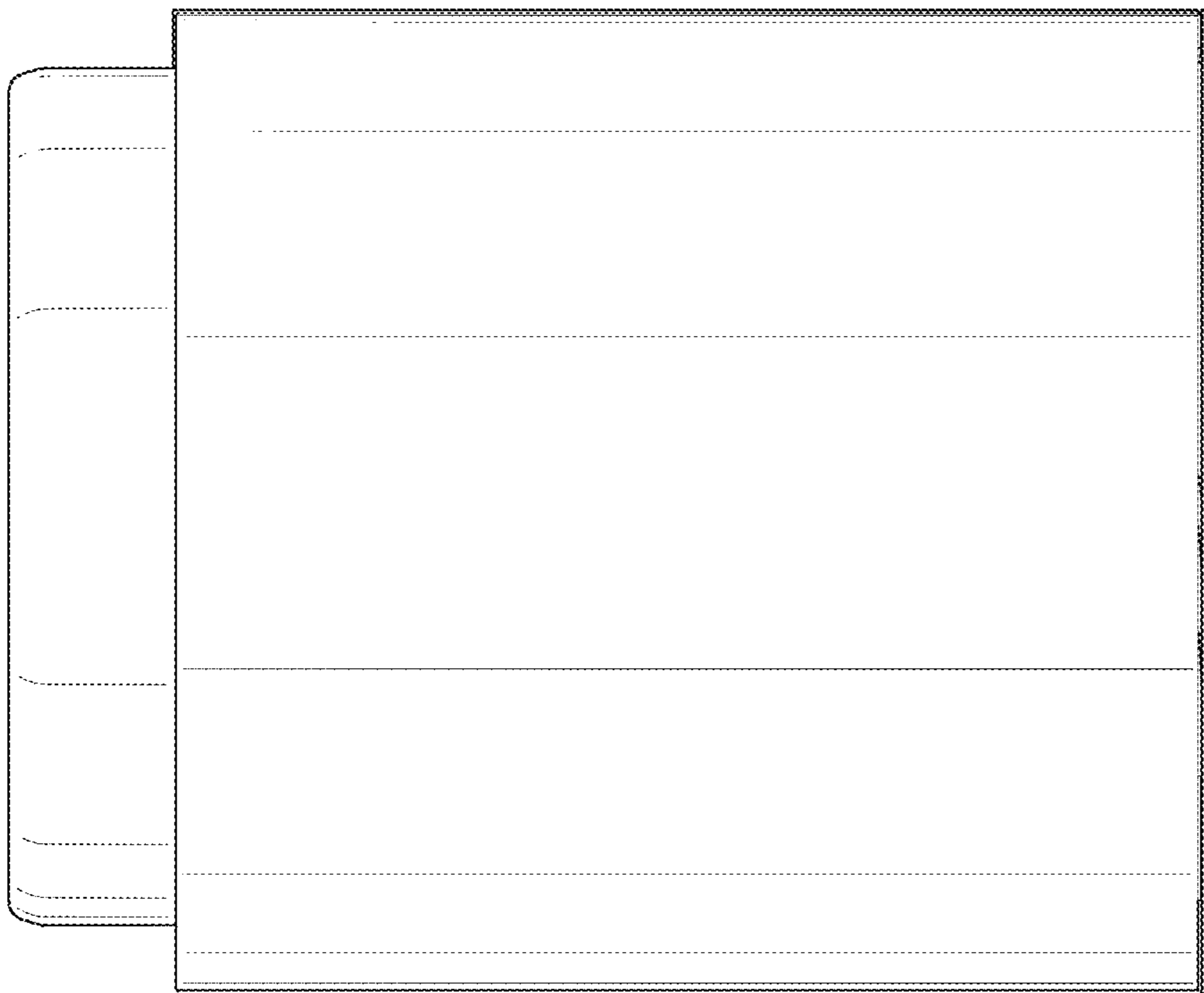


FIG. 6

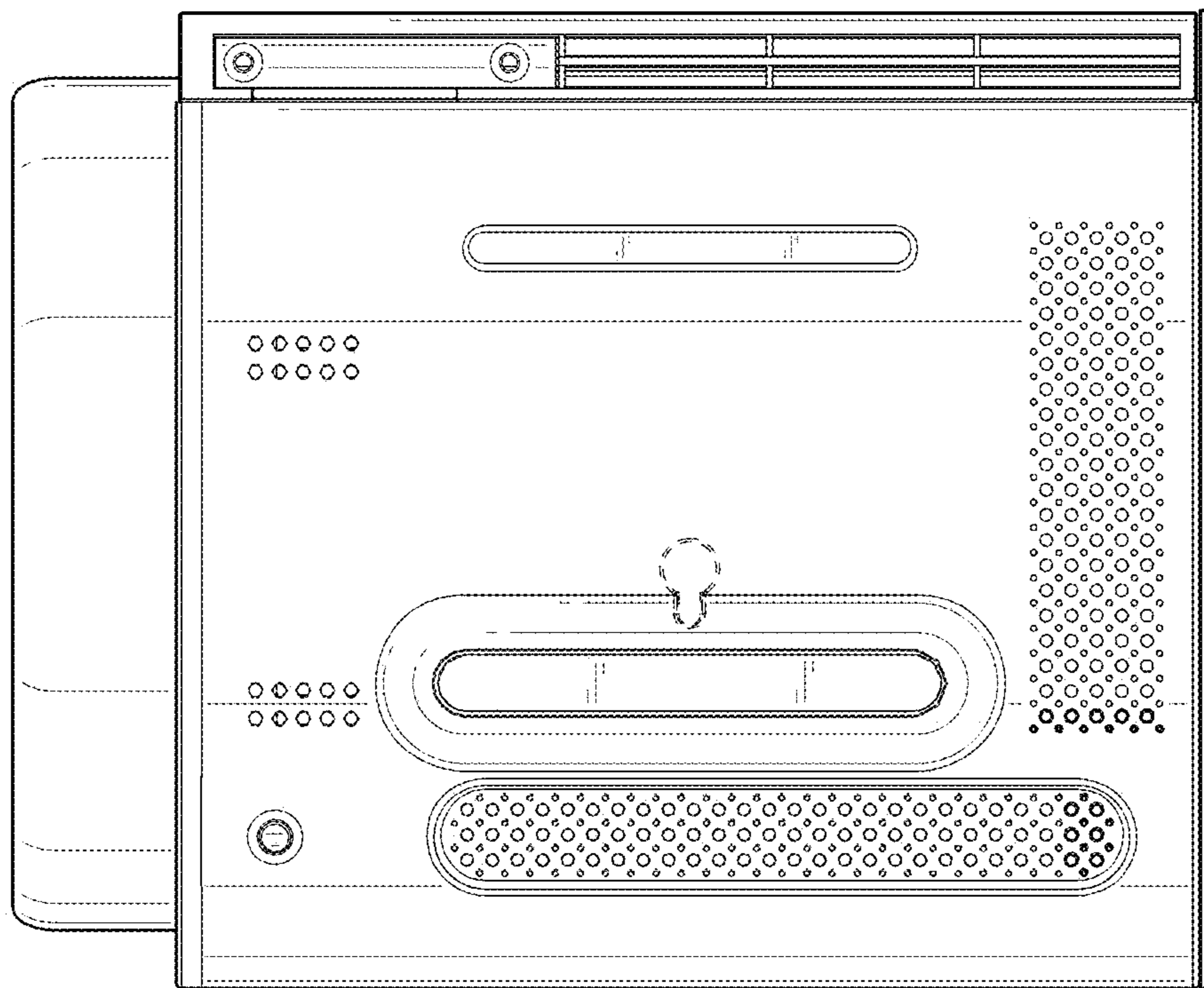


FIG. 7