



US00D749543S

(12) **United States Design Patent**  
**Lovegrove**

(10) **Patent No.:** **US D749,543 S**  
(45) **Date of Patent:** **\*\* Feb. 16, 2016**

(54) **SPEAKER**

(71) Applicant: **GP ACOUSTICS INTERNATIONAL LIMITED**, Kwai Chung, New Territories (HK)

(72) Inventor: **Ross Lovegrove**, London (GB)

(73) Assignee: **GP ACOUSTICS INTERNATIONAL LIMITED**, New Territories (HK)

(\*\*) Term: **14 Years**

(21) Appl. No.: **29/509,872**

(22) Filed: **Nov. 21, 2014**

(51) **LOC (10) Cl.** ..... **14-03**

(52) **U.S. Cl.**  
USPC ..... **D14/212; D14/214**

(58) **Field of Classification Search**  
USPC ..... D14/167, 168, 170–172, 188, 194–196, D14/204, 207, 209.1, 210–216, 219, 221, D14/222, 224, 496; 181/143, 144, 147, 148, 181/150, 153, 157, 198, 199; 381/300–303, 381/306, 332, 333, 336, 345, 361–364, 381/386–388; 369/6–12  
CPC .... B60R 11/0217; G06F 1/1688; H04M 1/03; H04M 1/035; H04R 1/02; H04R 1/06; H04R 1/021; H04R 1/025; H04R 1/026; H04R 1/028; H04R 1/105; H04R 1/323; H04R 1/403; H04R 1/2803; H04R 1/2834; H04R 5/02; H04R 7/20; H04R 9/06; H04R 9/025; H04R 2201/021; H04R 2400/00; H04R 2400/07; H04R 2499/11; H04R 2499/13; H04R 2499/15; H04S 3/00; H04S 7/30

See application file for complete search history.

(56) **References Cited**

U.S. PATENT DOCUMENTS

D491,914 S *	6/2004	Lee	.....	D14/188
D501,841 S *	2/2005	Hsu	.....	D14/168
D534,897 S *	1/2007	Bhakta	.....	D14/204
D551,208 S *	9/2007	Yano	.....	D14/172
D594,845 S *	6/2009	Skurdal	.....	D10/2
D619,116 S *	7/2010	Skurdal	.....	D10/2
D672,333 S *	12/2012	Lin	.....	D14/212
D723,515 S *	3/2015	Ang	.....	D14/204
D726,685 S *	4/2015	Cheng	.....	D14/212

\* cited by examiner

*Primary Examiner* — Keli L Hill

(74) *Attorney, Agent, or Firm* — Nixon Peabody LLP; Jeffrey L. Costellia

(57) **CLAIM**

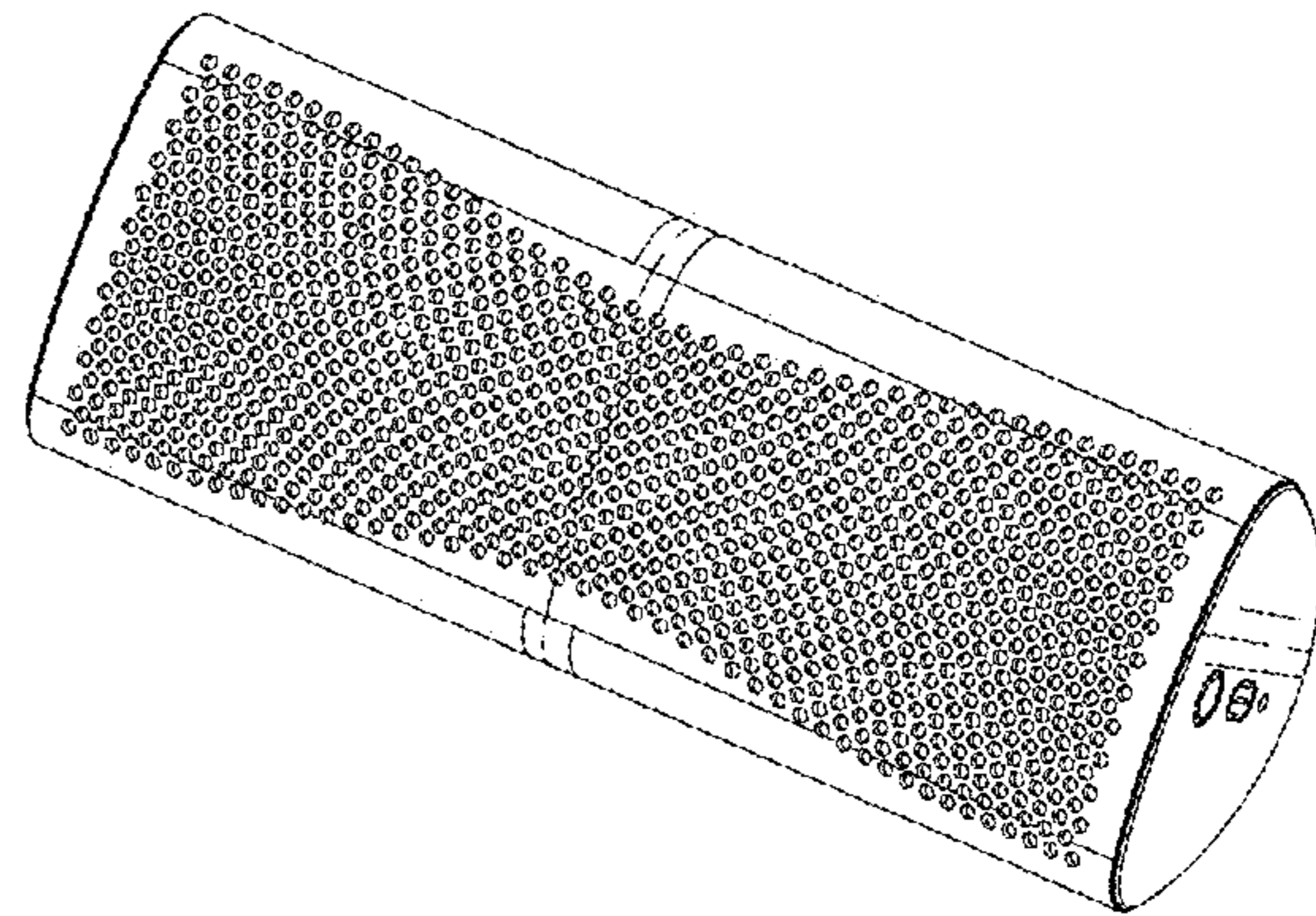
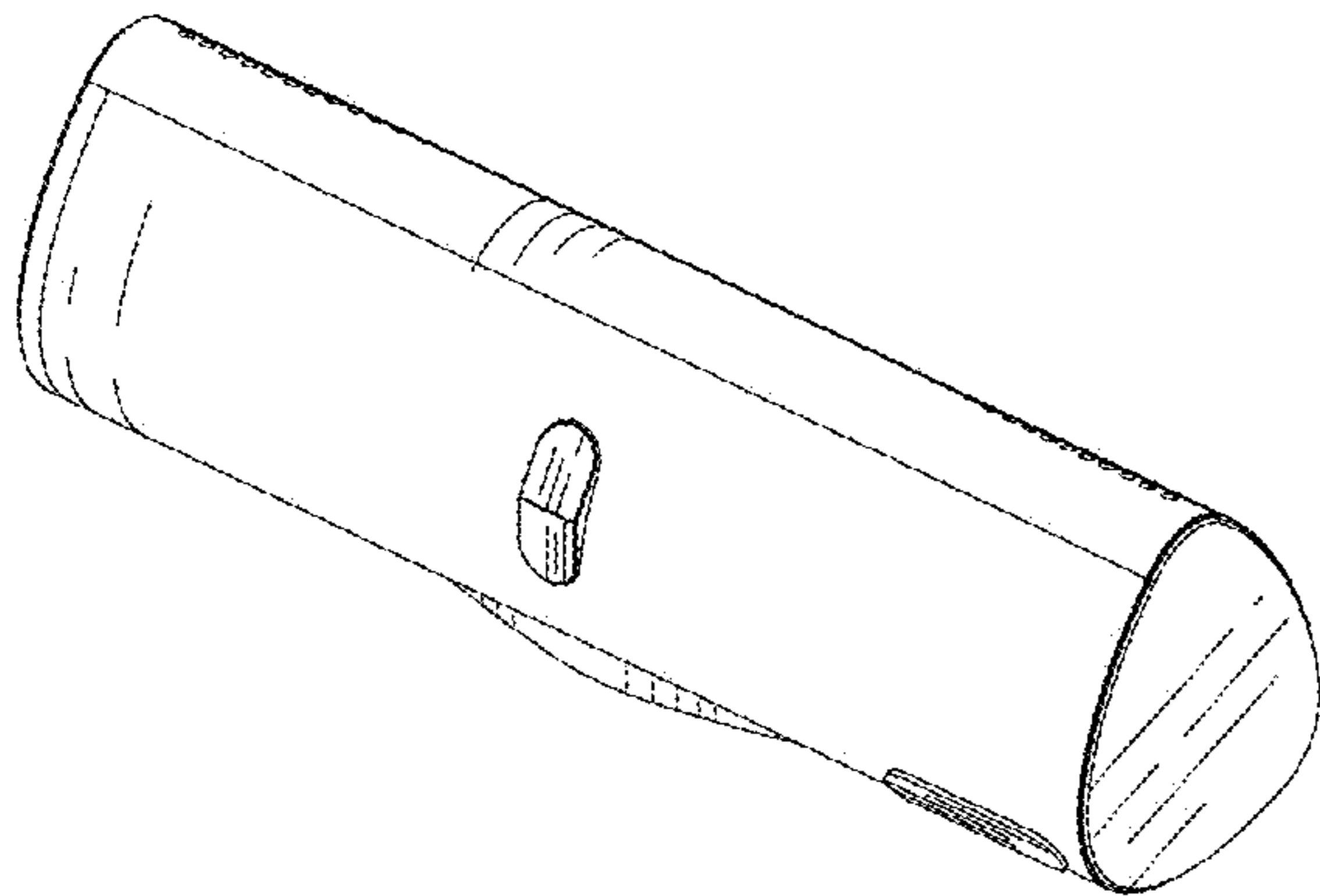
The ornamental design for a speaker, as shown and described.

**DESCRIPTION**

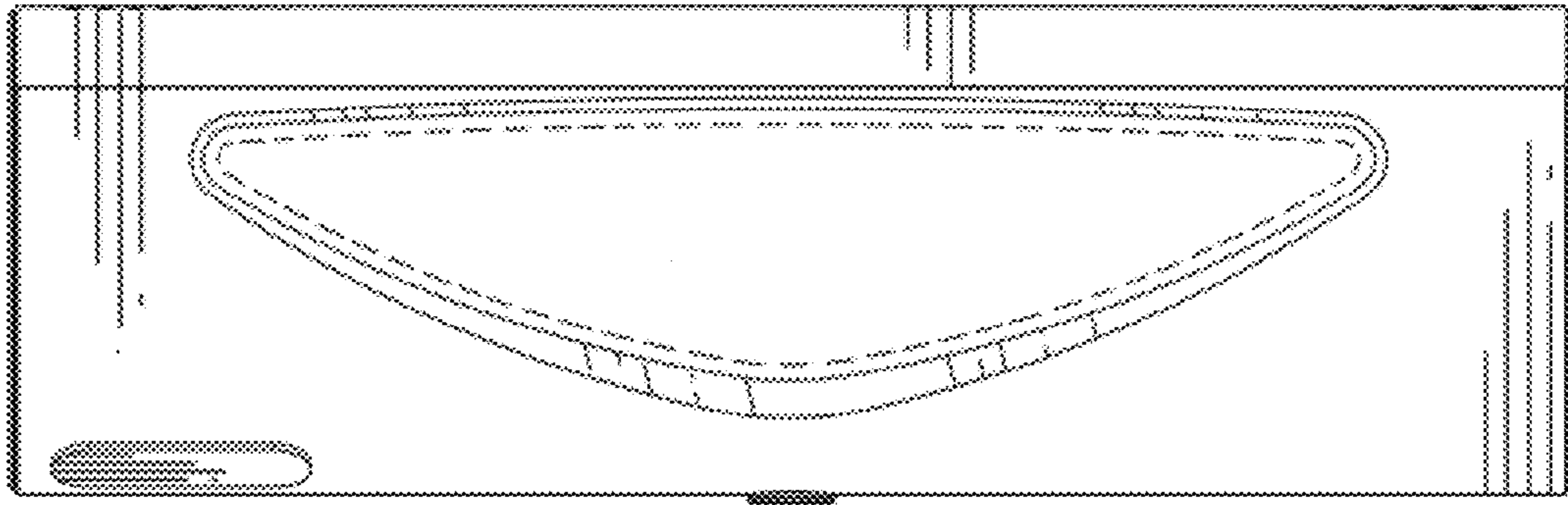
FIG. 1 is a bottom view of a speaker showing our new design; FIG. 2 is a front view thereof; FIG. 3 is an isometric back view thereof; FIG. 4 is an isometric front view thereof; FIG. 5 is a left view thereof; FIG. 6 is a back view thereof; FIG. 7 is a right view thereof; and, FIG. 8 is a top view thereof.

The broken lines shown are included for the purpose of illustrating portions of the speaker that form no part of the claim.

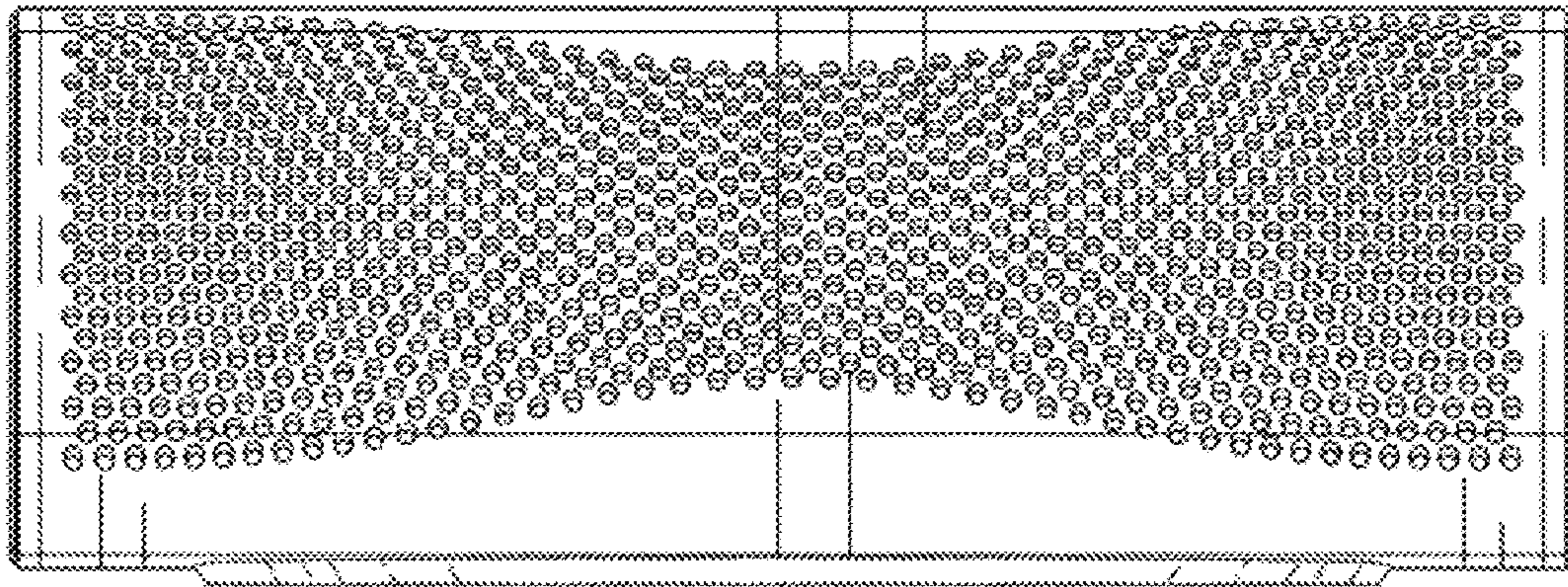
**1 Claim, 4 Drawing Sheets**





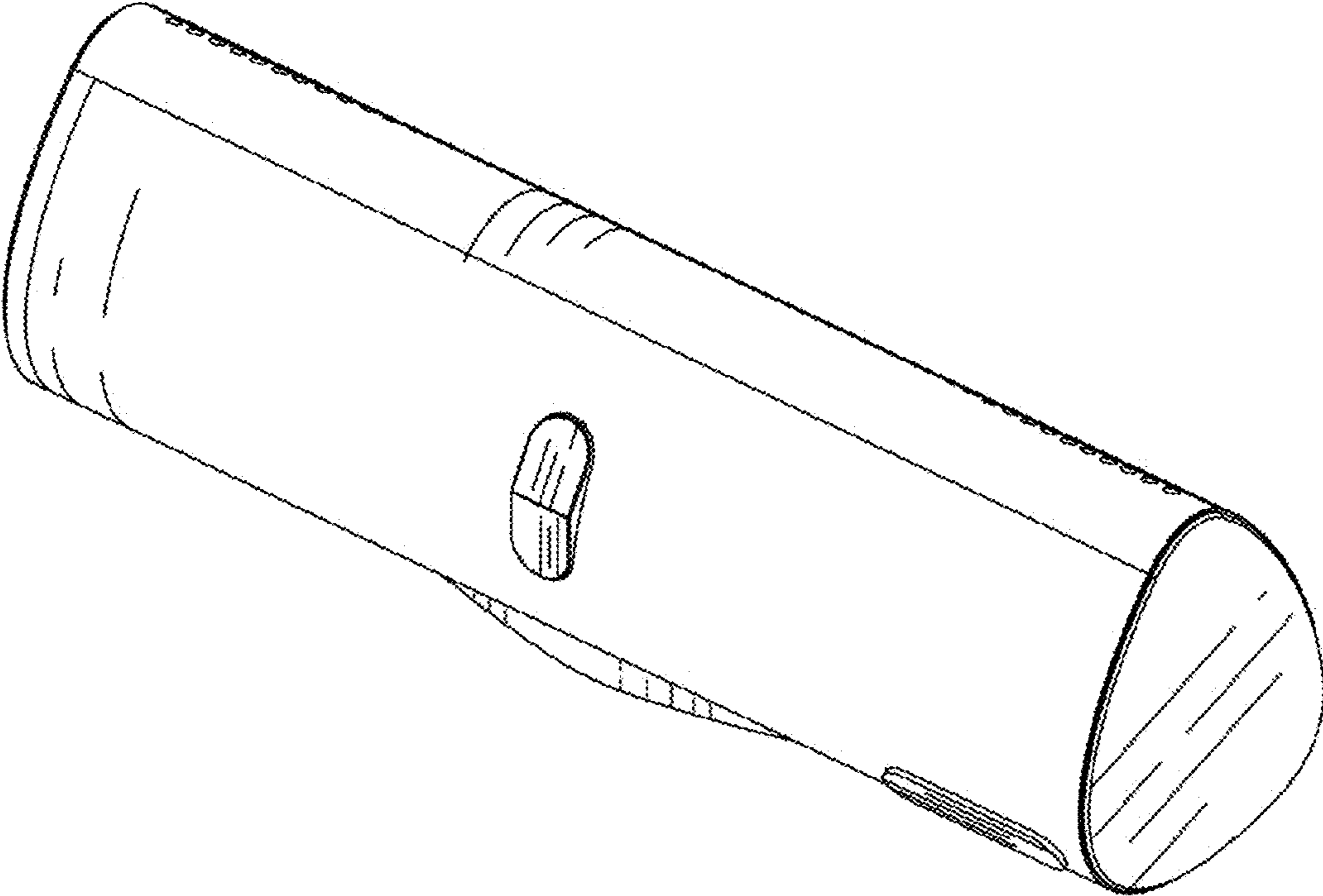


**FIG. 1**

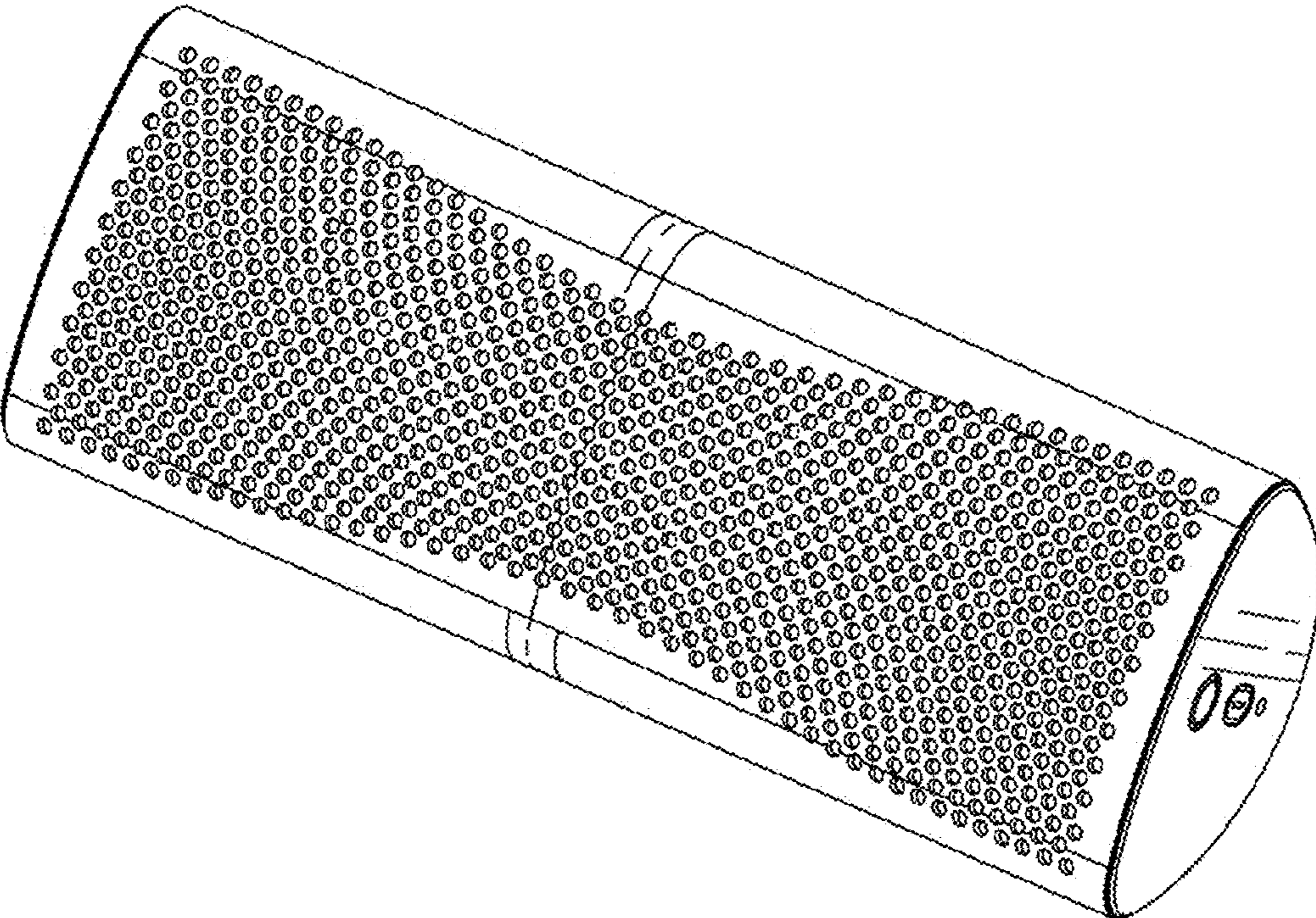


**FIG. 2**

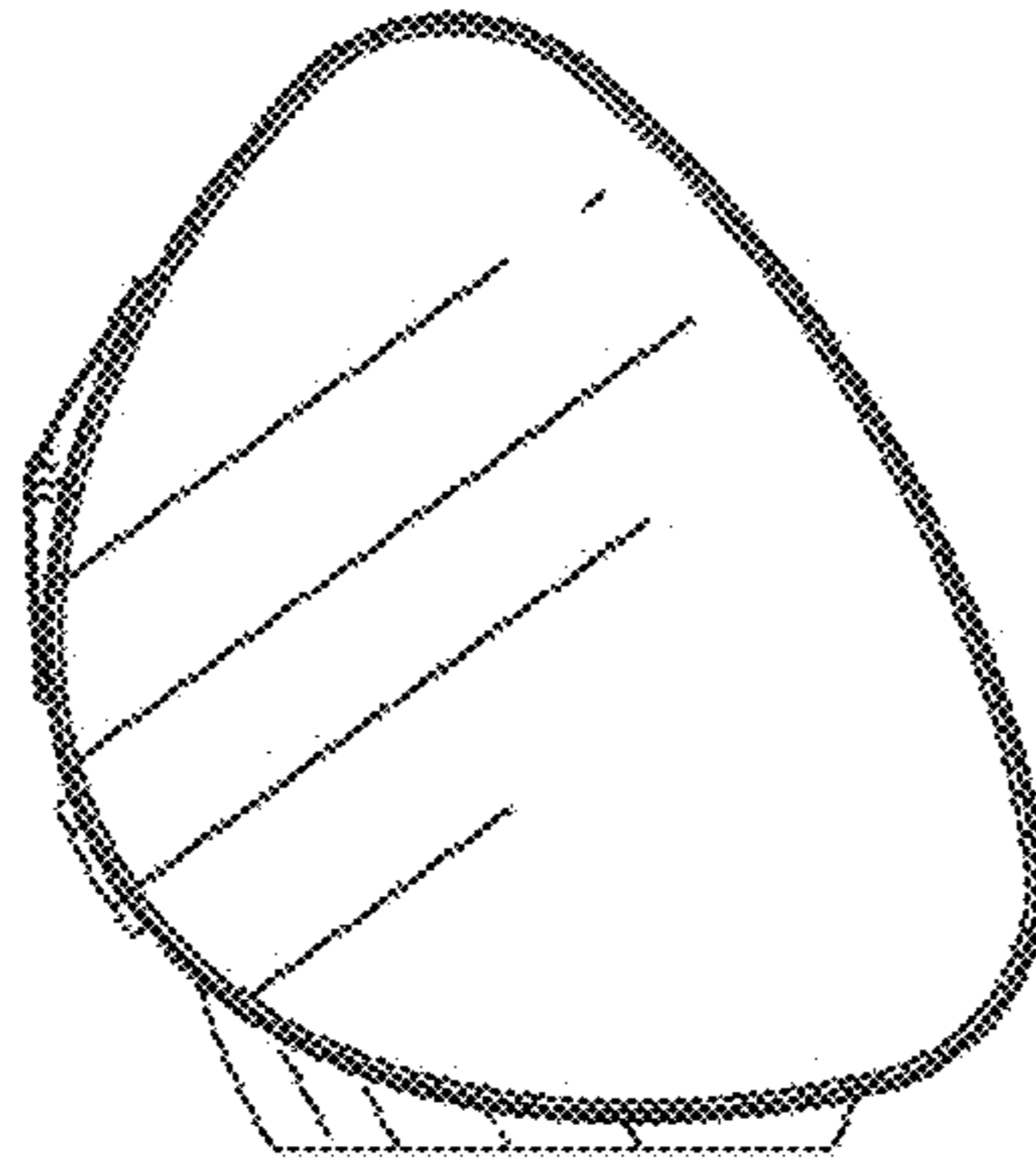




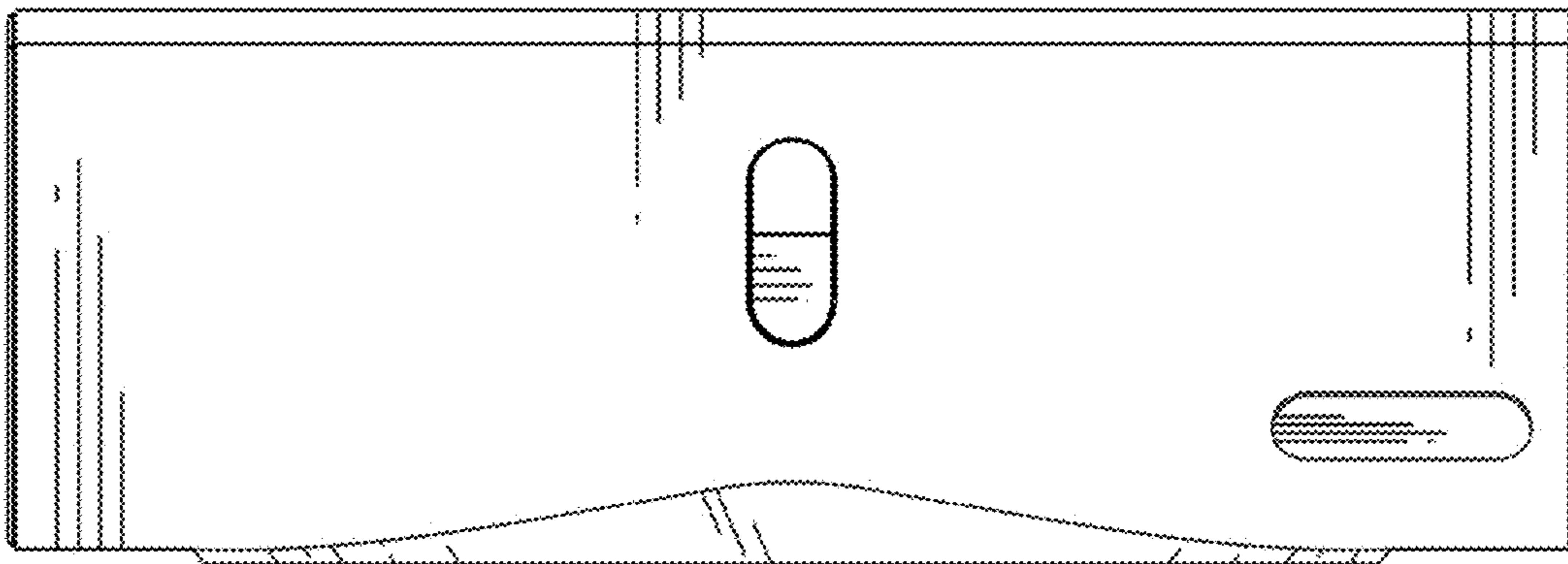
**FIG. 3**



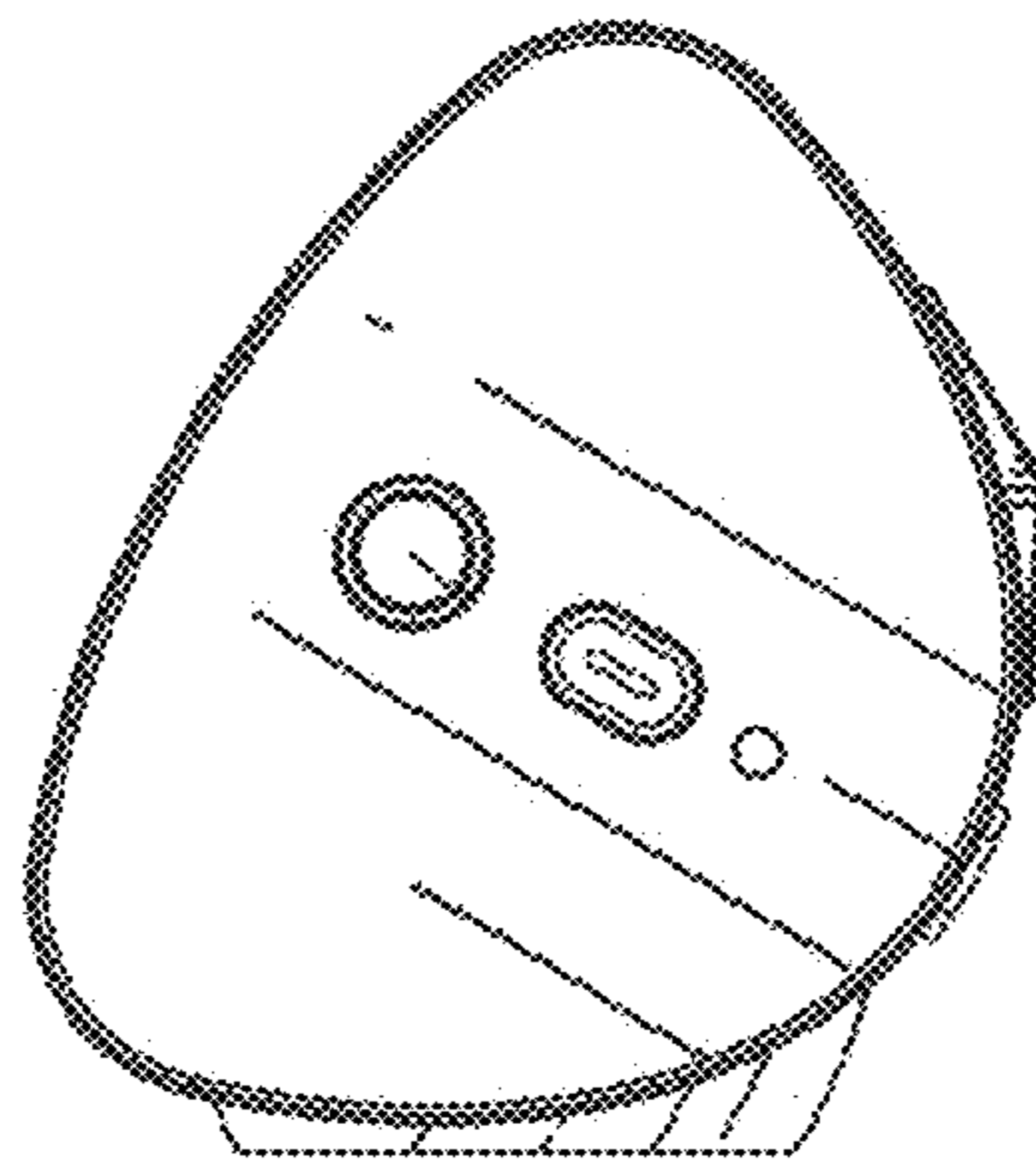
**FIG. 4**



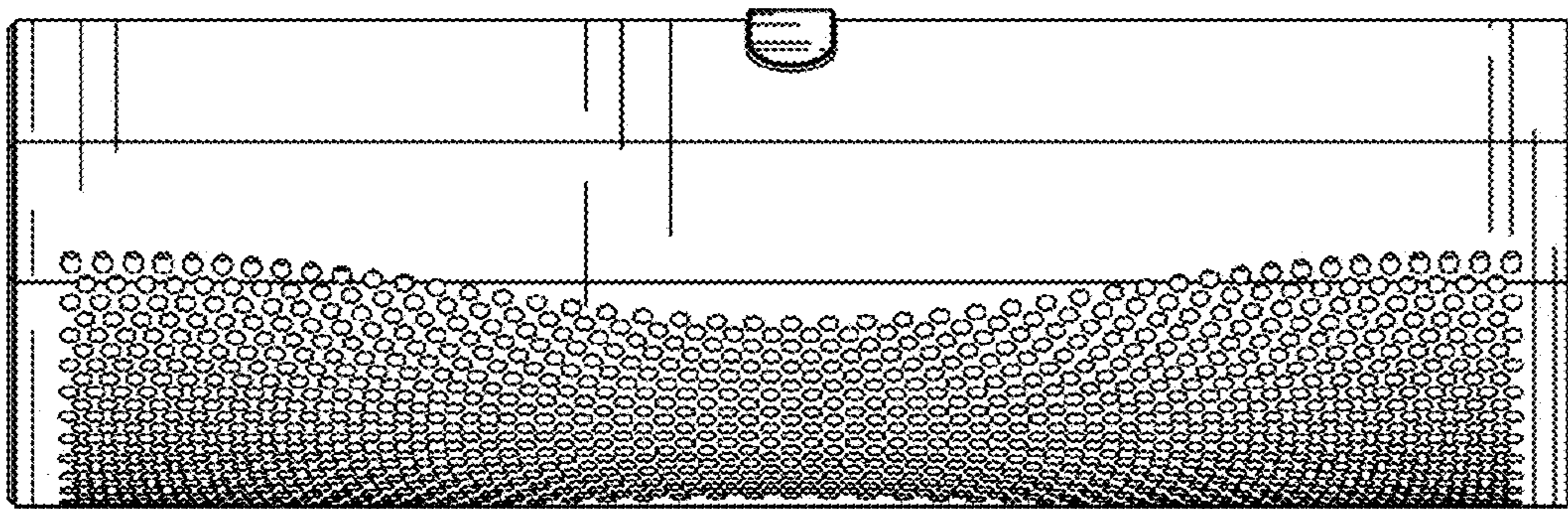
**FIG. 5**



**FIG. 6**



**FIG. 7**



**FIG. 8**