



US00D749542S

(12) **United States Design Patent**
Ahn et al.

(10) **Patent No.:** **US D749,542 S**
(45) **Date of Patent:** **** Feb. 16, 2016**

(54) **SPEAKER**

(71) Applicant: **Samsung Electronics Co., Ltd.**,
Suwon-si, Gyeonggi-do (KR)

(72) Inventors: **Chi Young Ahn**, Seoul (KR); **Sang Min Hyun**, Seoul (KR)

(73) Assignee: **SAMSUNG ELECTRONICS CO., LTD.** (KR)

(**) Term: **14 Years**

(21) Appl. No.: **29/478,246**

(22) Filed: **Jan. 2, 2014**

(30) **Foreign Application Priority Data**

Jul. 4, 2013 (KR) 30-2013-0034458

(51) **LOC (10) Cl.** **14-01**

(52) **U.S. Cl.**
USPC **D14/204**

(58) **Field of Classification Search**
USPC D14/133, 168, 171, 172, 204, 210, 214,
D14/221, 265, 358, 433, 500-504; D26/72,
D26/88, 90, 118; 181/144, 145, 198, 199;
369/75.11, 76; 381/300, 332-336, 345;
455/344, 350

CPC H04B 1/08; H04B 1/086; H04B 1/3883;
H04B 1/3888; H04R 7/00; H01Q 1/243
See application file for complete search history.

(56) **References Cited**

U.S. PATENT DOCUMENTS

D416,907 S * 11/1999 Azima et al. D14/214
D461,177 S * 8/2002 Hisatsune D14/211
D481,824 S * 11/2003 Watt D26/118
D498,018 S * 11/2004 Sieczkowski D26/118
D503,702 S * 4/2005 Stevens et al. D14/214
D524,796 S * 7/2006 Chan D14/211
D610,735 S * 2/2010 Chien D26/76

D619,126 S * 7/2010 Lee D14/230
D633,640 S * 3/2011 Wauters D26/85
D644,201 S * 8/2011 Park et al. D14/214

FOREIGN PATENT DOCUMENTS

KR 300631566 * 3/2012

OTHER PUBLICATIONS

MZX Flat Panel Speakers, announced Apr. 2010, [online], site visited Jul. 7, 2015. Available from Internet, <URL: <http://www.seanc-seansblog.blogspot.com>>.*

* cited by examiner

Primary Examiner — Derrick Holland

Assistant Examiner — Janice Lim

(74) *Attorney, Agent, or Firm* — Cantor Colburn LLP

(57) **CLAIM**

We claim, the ornamental design for a speaker, as shown and described.

DESCRIPTION

FIG. 1 is a front perspective view of a speaker showing our new design;
FIG. 2 is a front view thereof;
FIG. 3 is a rear view thereof;
FIG. 4 is a side view thereof;
FIG. 5 is another side view thereof;
FIG. 6 is a top plan view thereof;
FIG. 7 is a bottom plan view thereof;
FIG. 8 is a front perspective view thereof, shown in environmental use; and,
FIG. 9 is a bottom perspective view thereof, shown in environmental use.

The broken lines portions of FIGS. 1, 6, 8, and 9 are included to show unclaimed subject matter only and form no part of the claimed design.

1 Claim, 9 Drawing Sheets

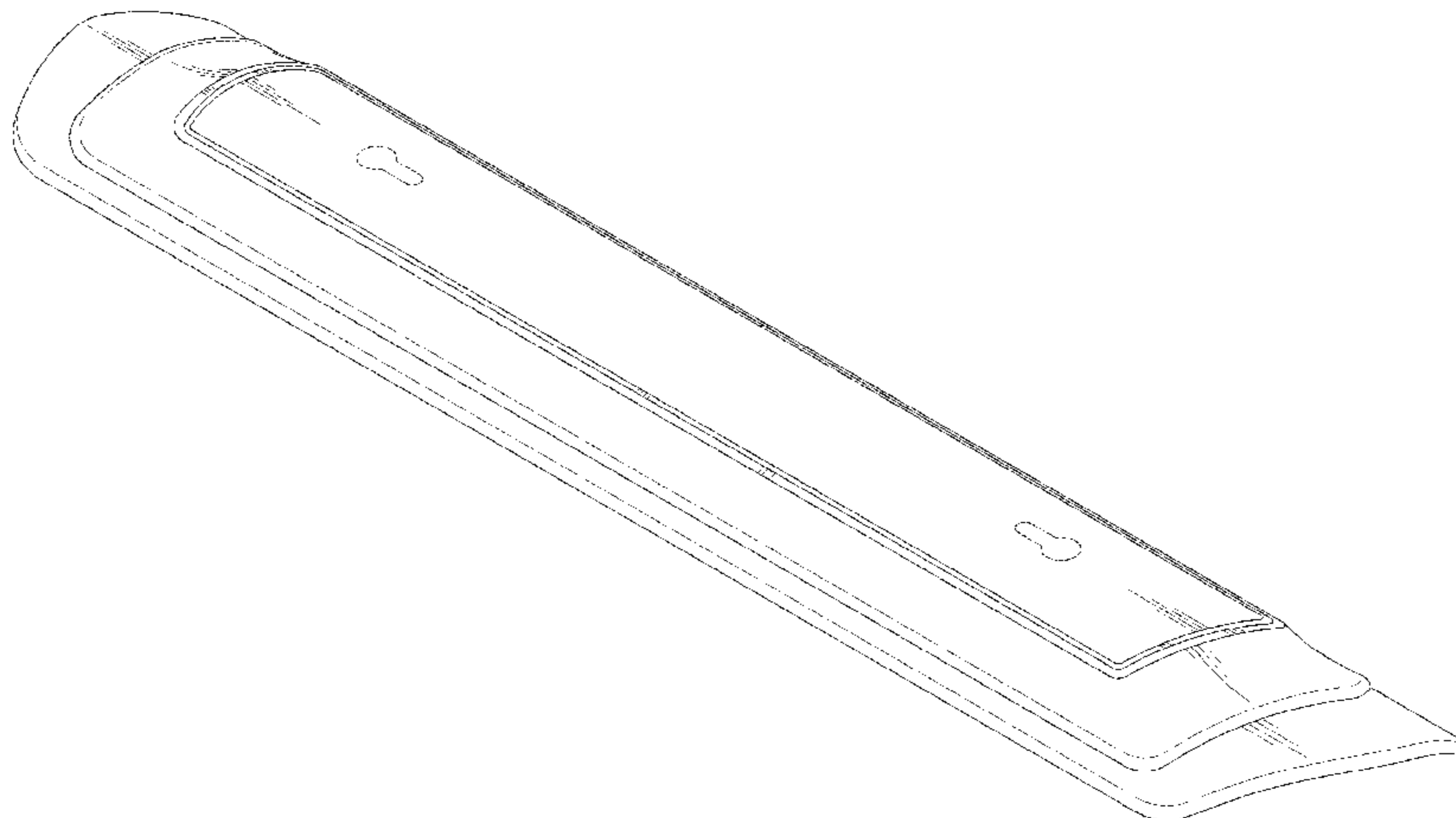


FIG. 1

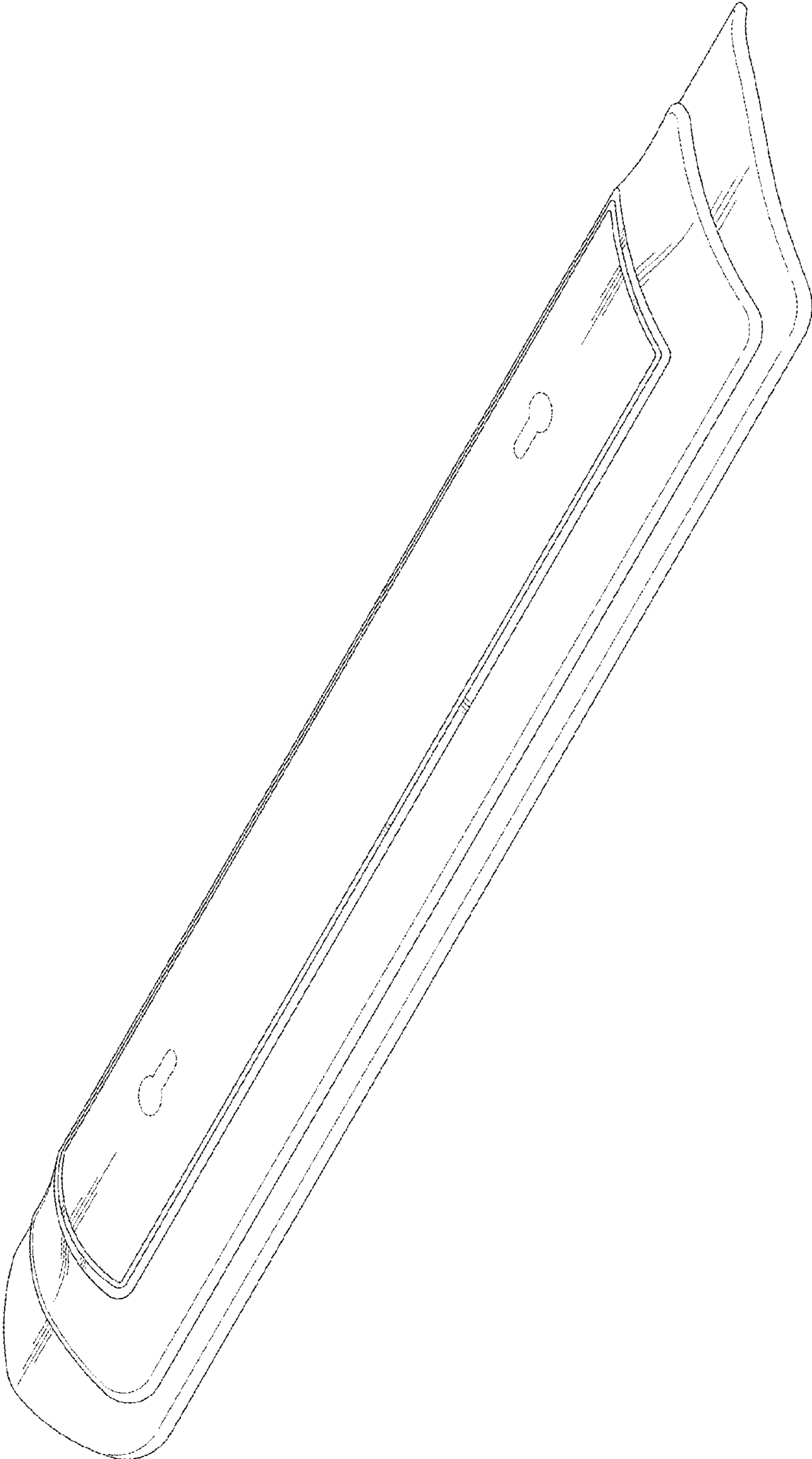


FIG. 2

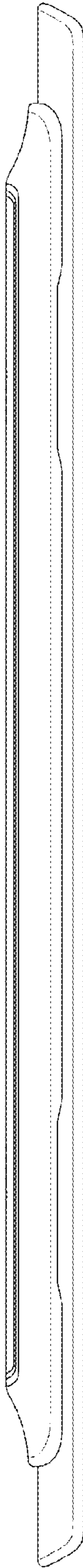
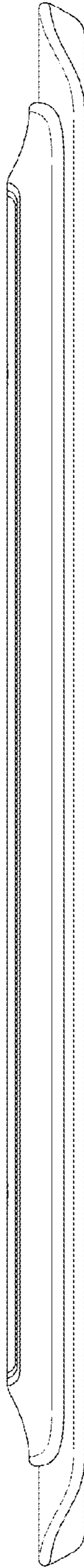


FIG. 3



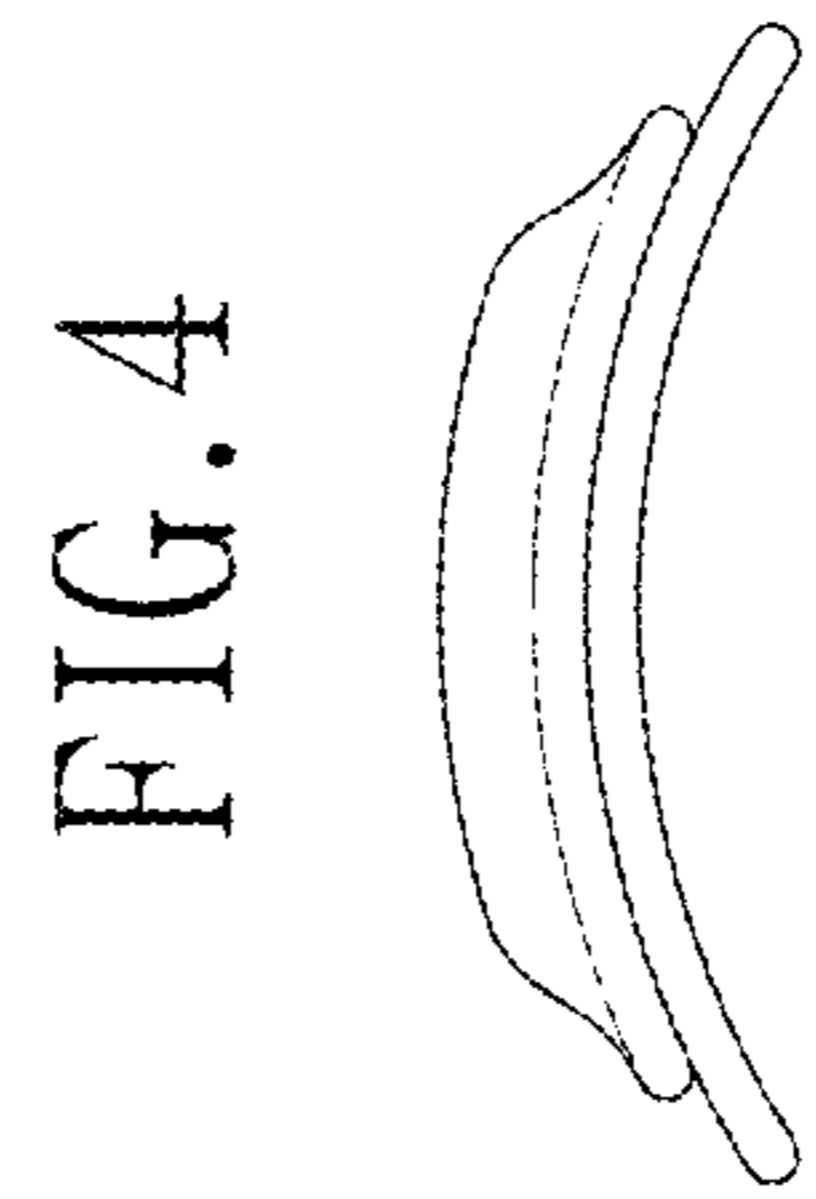


FIG. 5

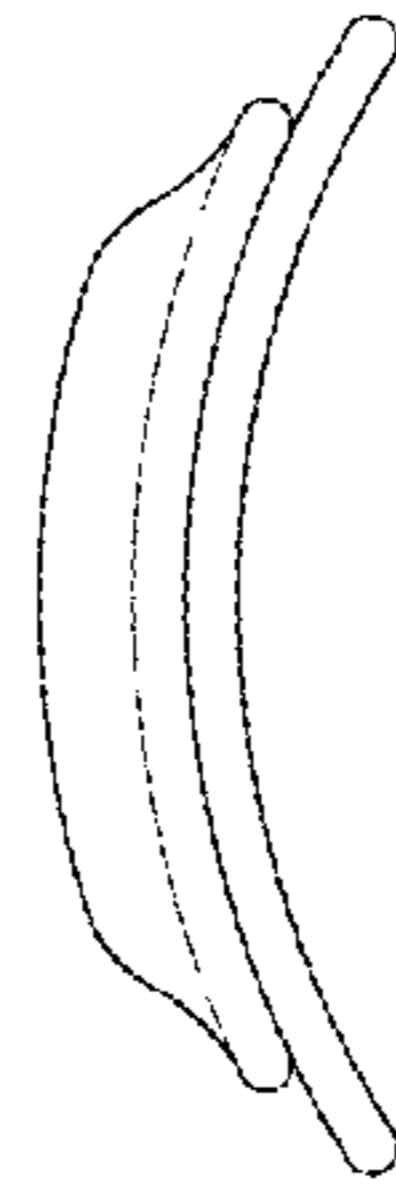


FIG. 6

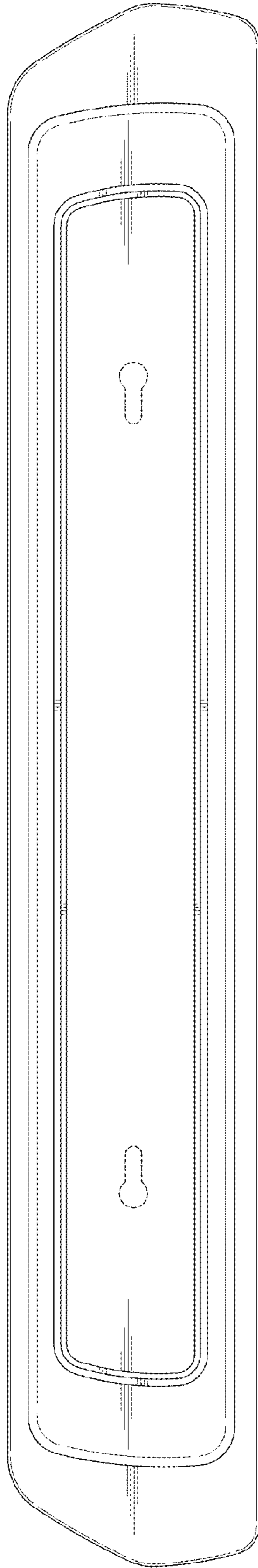


FIG. 7

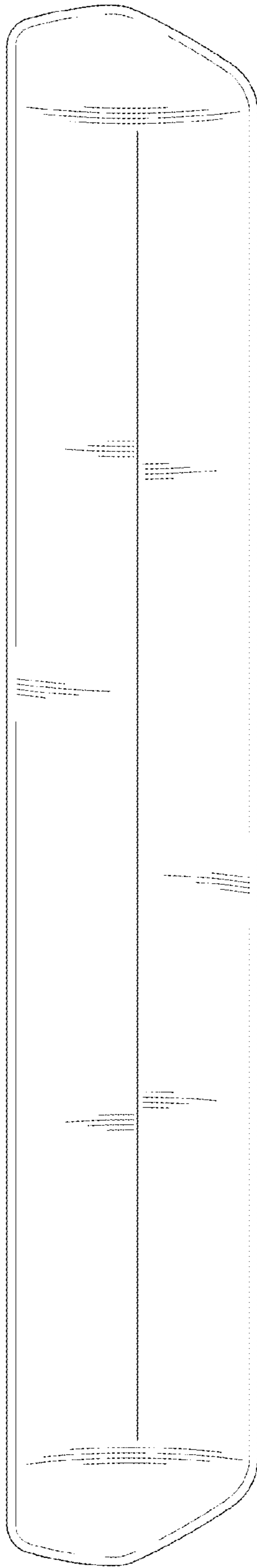


FIG. 8

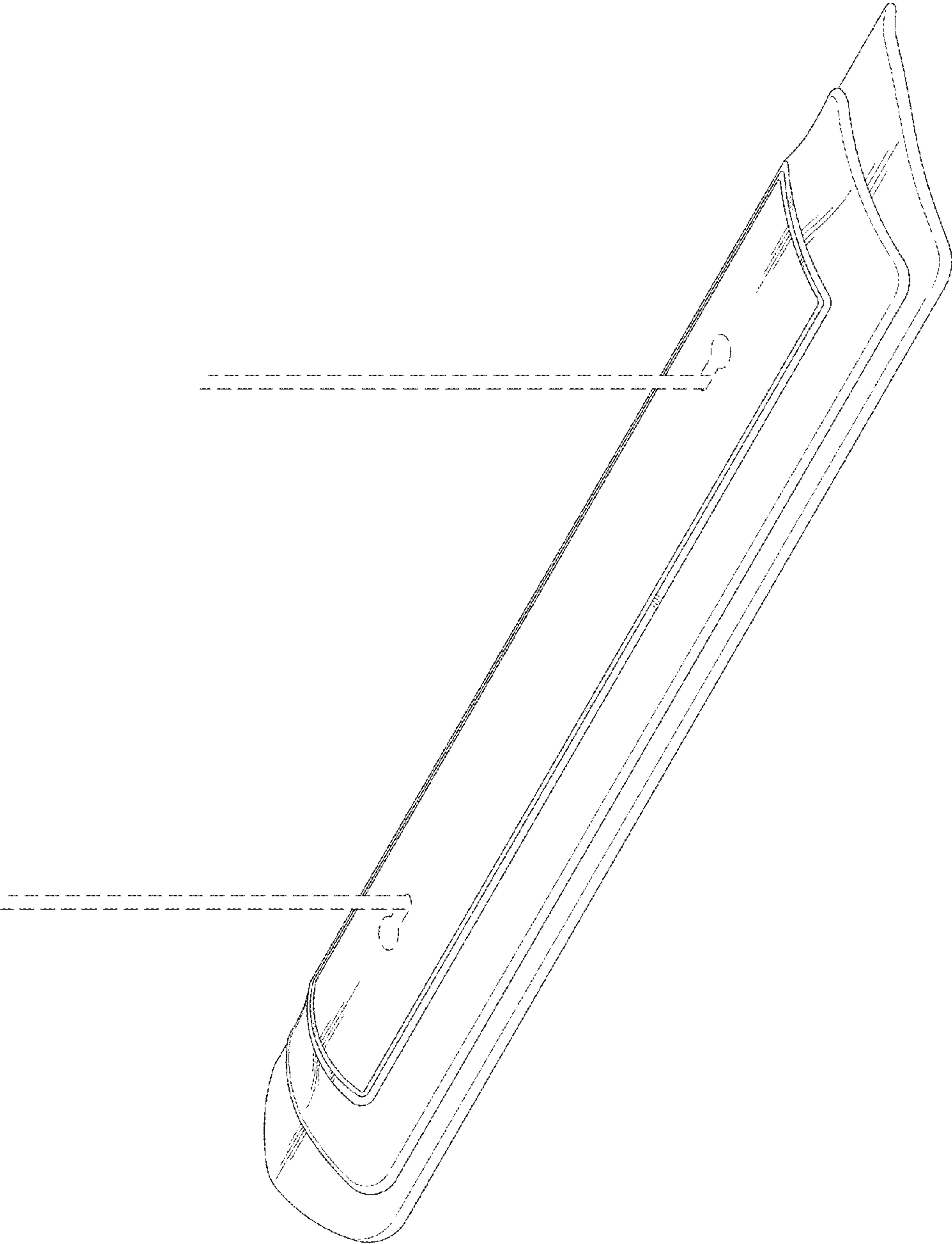


FIG. 9

