



US00D749534S

(12) **United States Design Patent**
Liu et al.

(10) **Patent No.:** **US D749,534 S**
(45) **Date of Patent:** **** Feb. 16, 2016**

(54) **MOBILE PHONE**

(71) Applicants: **De Liu**, Beijing (CN); **Hang Liu**,
Beijing (CN); **Shihui Zheng**, Beijing
(CN)

(72) Inventors: **De Liu**, Beijing (CN); **Hang Liu**,
Beijing (CN); **Shihui Zheng**, Beijing
(CN)

(73) Assignee: **Xiaomi Inc.** (CN)

(**) Term: **14 Years**

(21) Appl. No.: **29/477,410**

(22) Filed: **Dec. 20, 2013**

(30) **Foreign Application Priority Data**

Jun. 21, 2013 (CN) 2013 3 0273024

(51) **LOC (10) Cl.** **14-03**

(52) **U.S. Cl.**
USPC **D14/138 G**

(58) **Field of Classification Search**
USPC D14/138 G, 138 AC, 138 R,
D14/203.1, 203.3, 203.5, 203.7, 218, 248,
D14/257, 250, 341, 441, 443, 496;
D21/517, 329, 331; D13/168; D10/65,
D10/70; 455/556.1, 556.2, 575.1, 575.3,
455/575.4, 566; 379/433.01, 433.04;
361/679.3, 679.56
CPC ... H04M 1/02; H04M 1/0202; H04M 1/0235;
H04M 1/0237; H04M 1/0239; H04M 2250/22
See application file for complete search history.

(56) **References Cited**
U.S. PATENT DOCUMENTS

D664,518 S * 7/2012 Ryu D14/138 G
D665,372 S * 8/2012 Park et al. D14/138 G

(Continued)

OTHER PUBLICATIONS

Samsung Z, announced Jun. 2014, [online], [site visited Jun. 26,
2015]. Available from Internet, <URL:http://www.gsmarena.com/
samsung_z-6403.php>.*

(Continued)

Primary Examiner — Rosemary K Tarcza

Assistant Examiner — Sanjeev Paul

(74) *Attorney, Agent, or Firm* — Calfee, Halter & Griswold
LLP

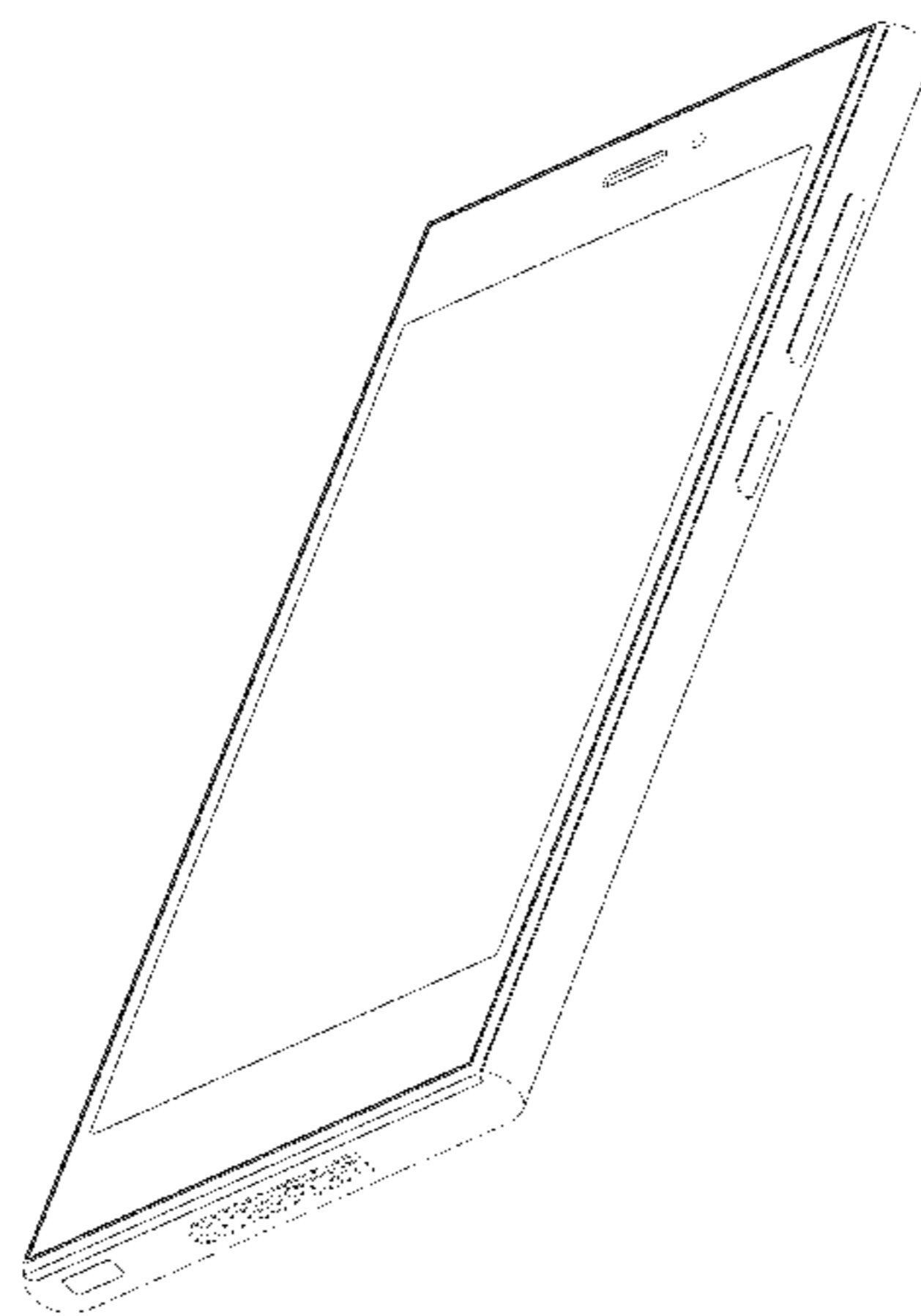
(57) **CLAIM**

The ornamental design for a mobile phone, as shown and
described.

DESCRIPTION

FIG. 1 is a front elevational view of first embodiment of a
mobile phone of the new design;
FIG. 2 is a back elevational view of first embodiment of the
mobile phone of the new design;
FIG. 3 is a left side elevational view of first embodiment of the
mobile phone of the new design;
FIG. 4 is a right side elevational view of first embodiment of
the mobile phone of the new design;
FIG. 5 is a top plan view of first embodiment of the mobile
phone of the new design;
FIG. 6 is a bottom plan view of first embodiment of the mobile
phone of the new design;
FIG. 7 is a front bottom right perspective view of first embodi-
ment of the mobile phone of the new design;
FIG. 8 is back bottom left perspective view of first embodi-
ment of the mobile phone of the new design;
FIG. 9 is a front elevational view of second embodiment of a
mobile phone of the new design;
FIG. 10 is a back elevational view of second embodiment of
the mobile phone of the new design;
FIG. 11 is a left side elevational view of second embodiment
of the mobile phone of the new design;
FIG. 12 is a right side elevational view of second embodiment
of the mobile phone of the new design;
FIG. 13 is a top plan view of second embodiment of the
mobile phone of the new design;
FIG. 14 is a bottom plan view of second embodiment of the
mobile phone of the new design;
FIG. 15 is a front bottom right perspective view of second
embodiment of the mobile phone of the new design; and,
FIG. 16 is a back bottom left perspective view of second
embodiment of the mobile phone of the new design.

1 Claim, 16 Drawing Sheets



(56)

References Cited

U.S. PATENT DOCUMENTS

D682,803 S * 5/2013 Lee et al. D14/138 G
 D683,325 S * 5/2013 Sugiyama D14/138 G
 D688,639 S * 8/2013 Tsai et al. D14/138 G
 D692,846 S * 11/2013 Lee et al. D14/138 G
 D698,746 S * 2/2014 Kaneta D14/138 G
 D699,700 S * 2/2014 Yoo et al. D14/138 G
 D700,589 S * 3/2014 Yoo et al. D14/138 G
 D712,865 S * 9/2014 Mauritzson et al. D14/138 G
 D713,373 S * 9/2014 Hibi D14/138 G
 D717,265 S * 11/2014 Zhao D14/138 G
 D717,758 S * 11/2014 Kim D14/138 G
 D718,268 S * 11/2014 Wu et al. D14/138 G
 D721,669 S * 1/2015 Kleiner et al. D14/138 G

D722,582 S * 2/2015 Kim et al. D14/138 G
 D729,190 S * 5/2015 Kwak et al. D14/138 G
 D730,859 S * 6/2015 Kaneta D14/138 G
 D730,863 S * 6/2015 Yamagishi et al. D14/138 G
 D732,019 S * 6/2015 Chao D14/341
 D732,497 S * 6/2015 Lee et al. D14/138 G

OTHER PUBLICATIONS

Lenovo Vibe Z2 Pro Phone, announced Aug. 2014, [online], [site visited Jun. 26, 2015]. Available from Internet, <URL:http://www.gsmarena.com/lenovo_vibe_z2_pro-6396.php>.*
 Sony Xperia Z Ultra Phone, announced Jun. 2013, [online], [site visited Jun. 26, 2015]. Available from Internet, <URL:http://www.gsmarena.com/sony_xperia_z_ultra-5540.php>.*

* cited by examiner

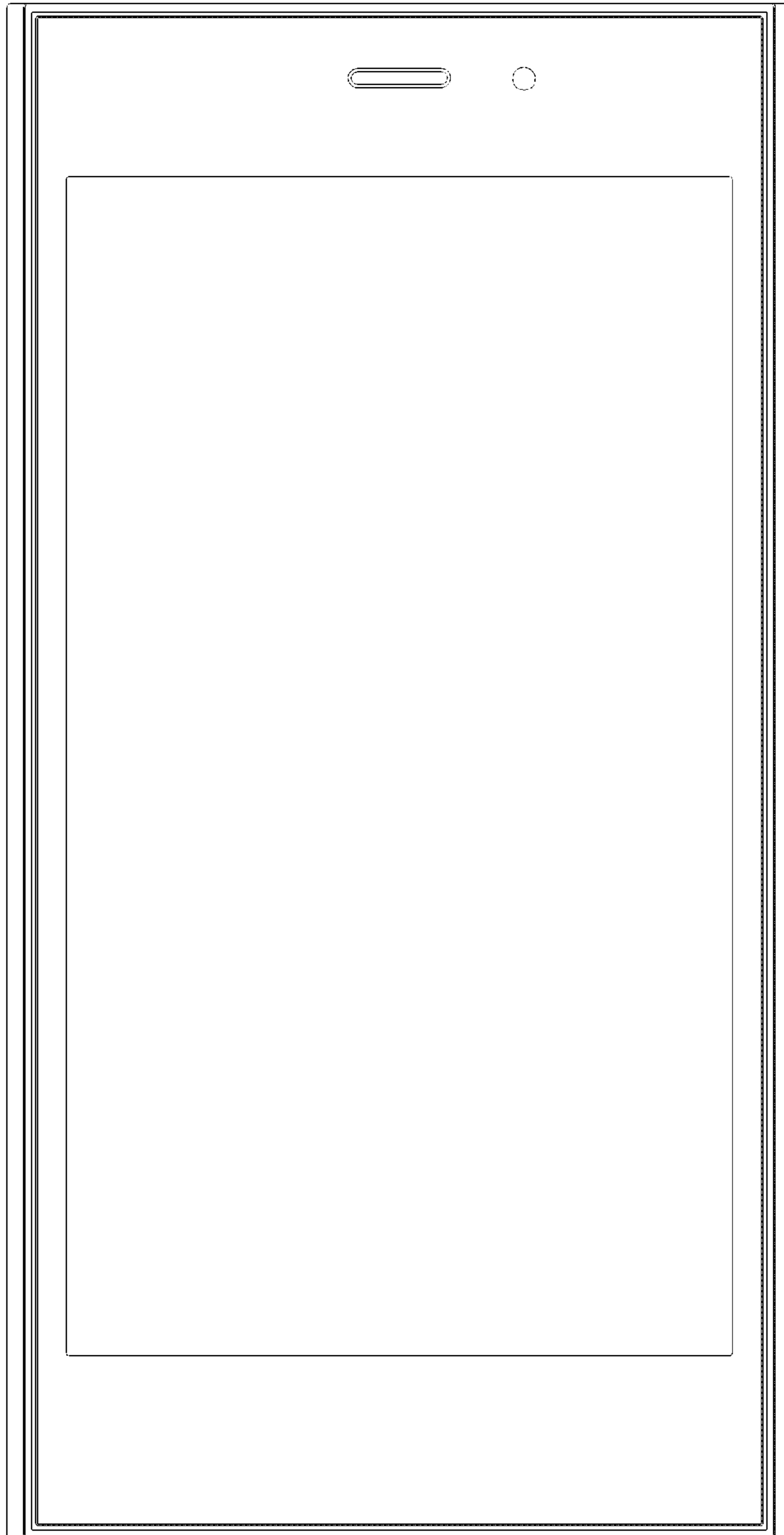


Fig.1



Fig.2

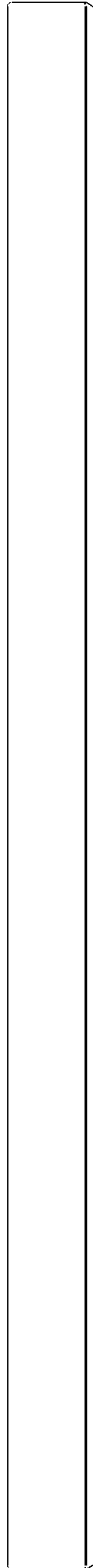


Fig.3

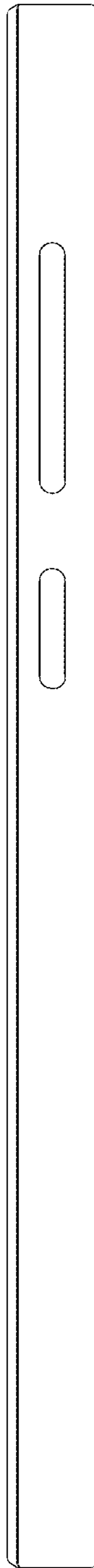


Fig.4

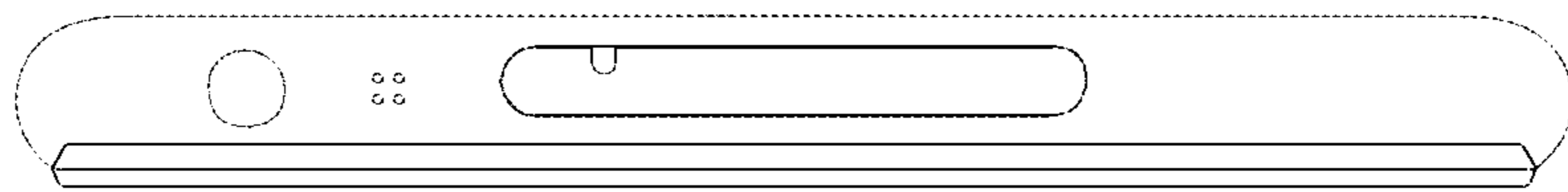


Fig.5

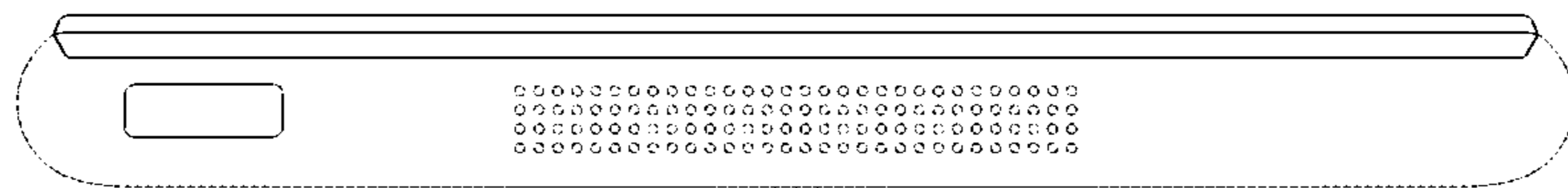


Fig.6

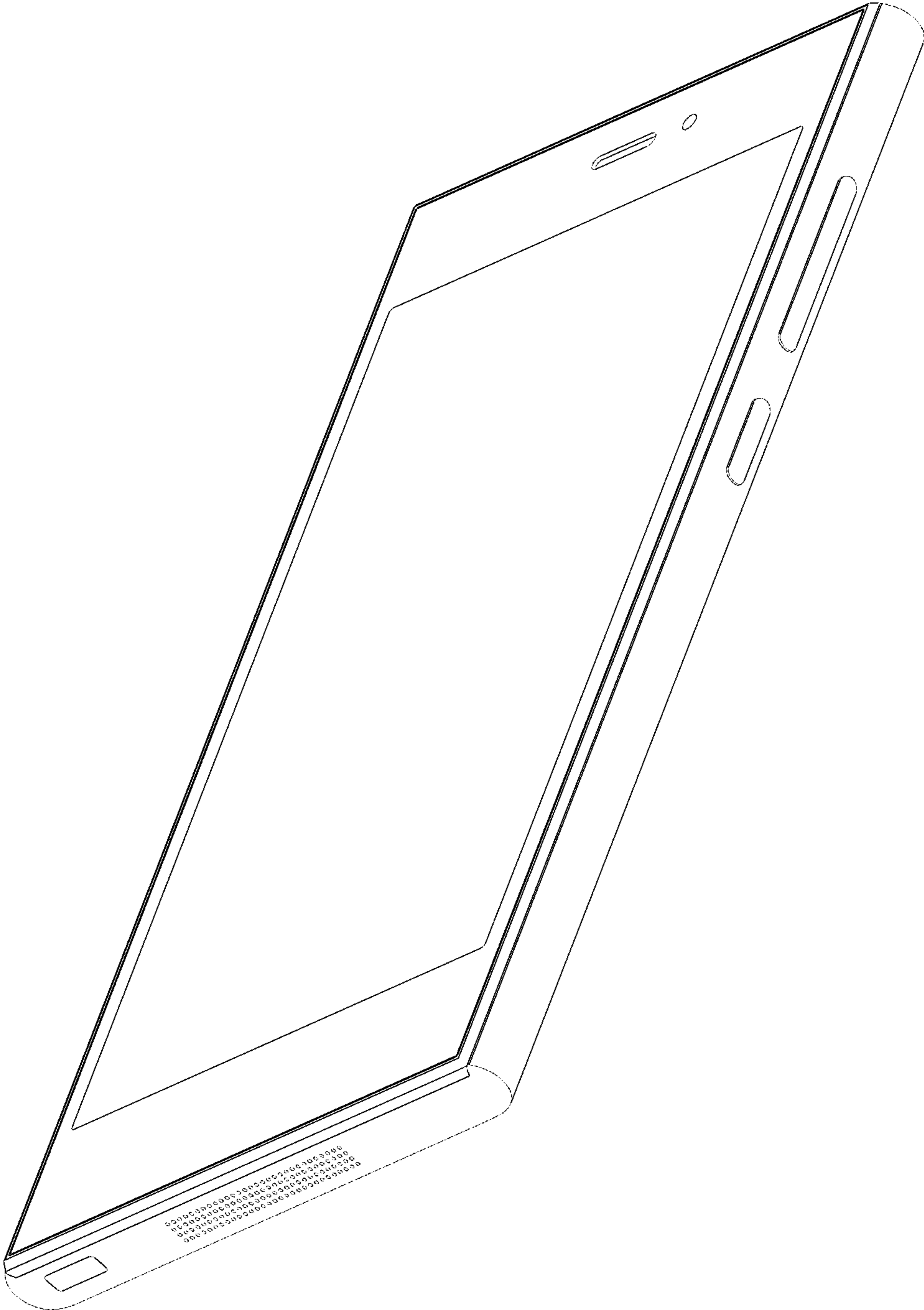


Fig.7

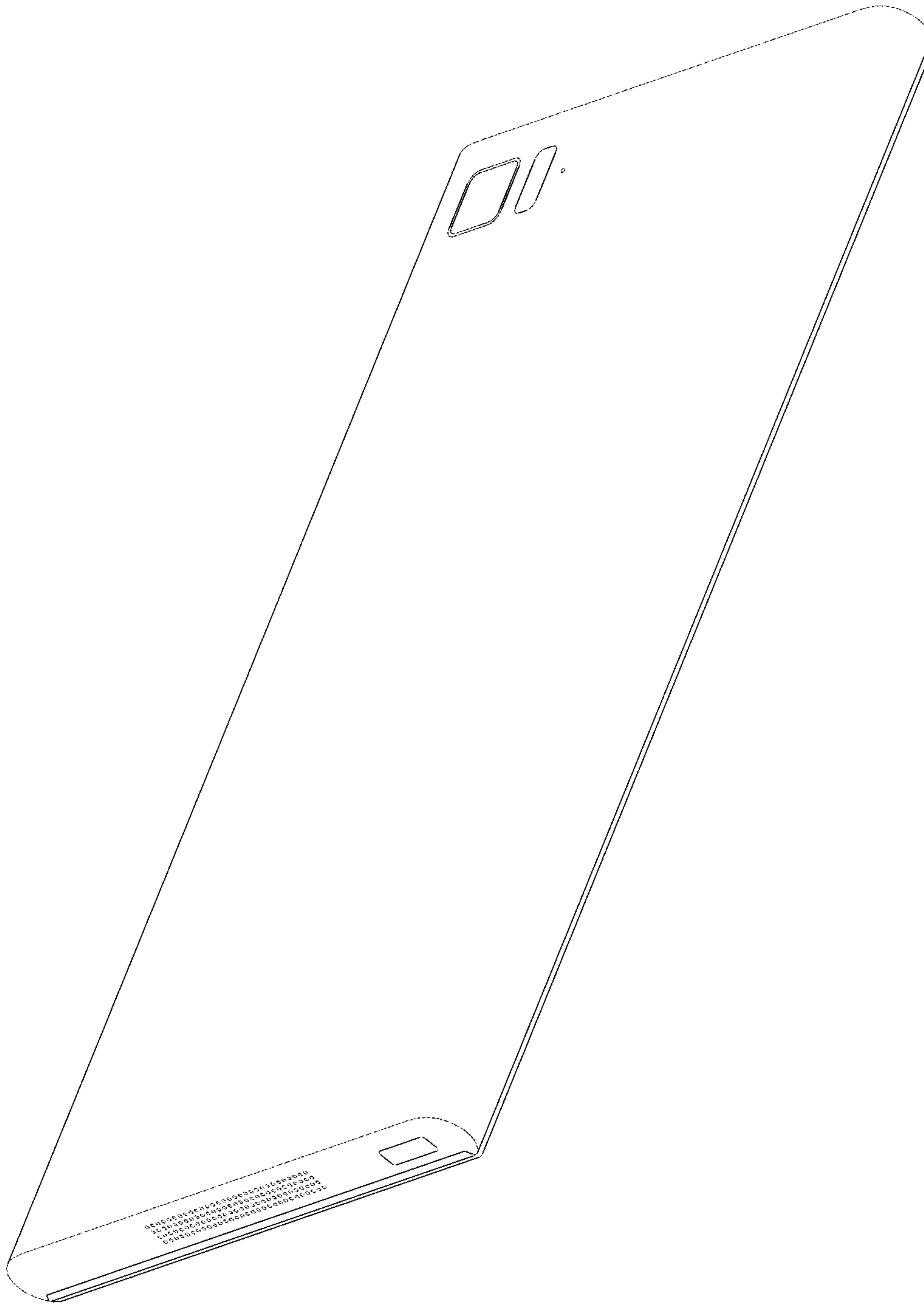


Fig.8

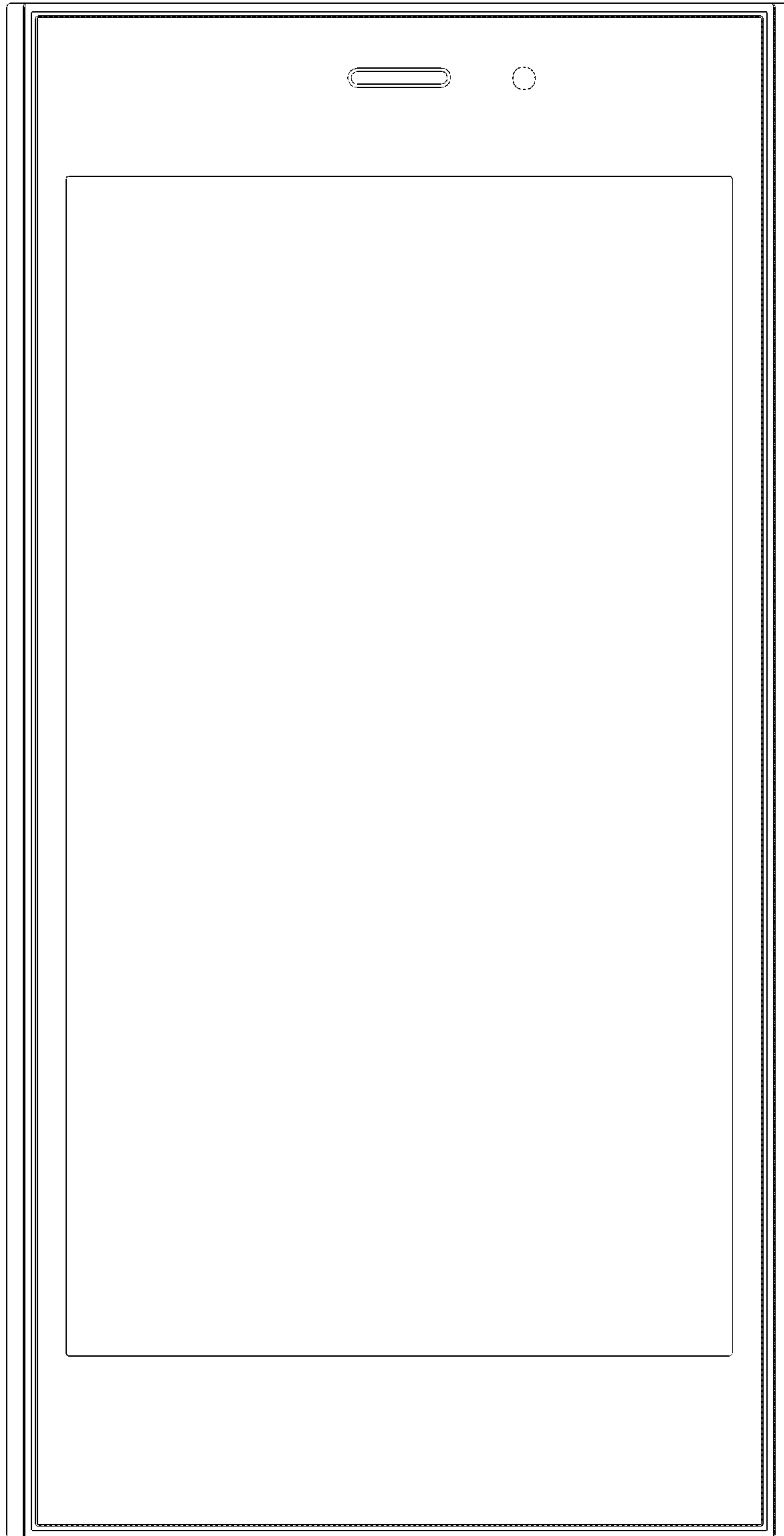


Fig.9



Fig.10

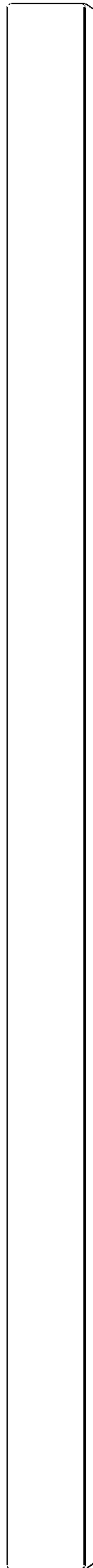


Fig. 11

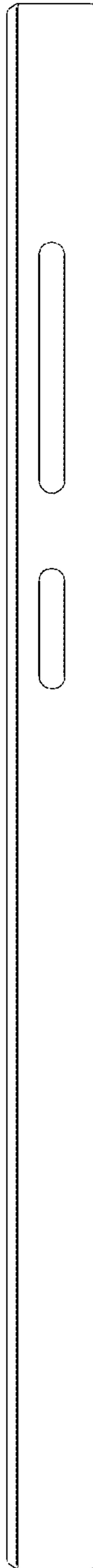


Fig.12

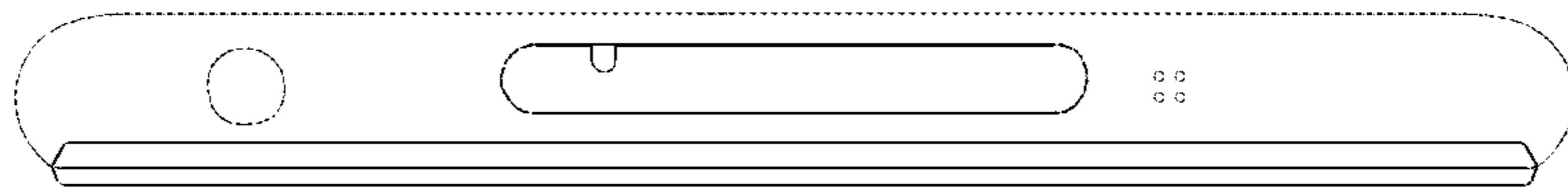


Fig.13

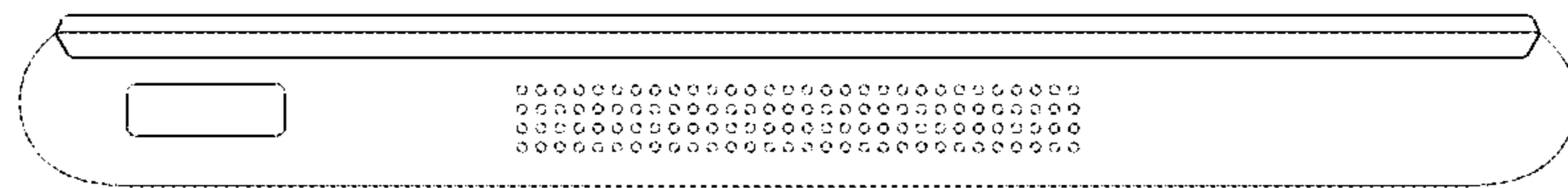


Fig.14

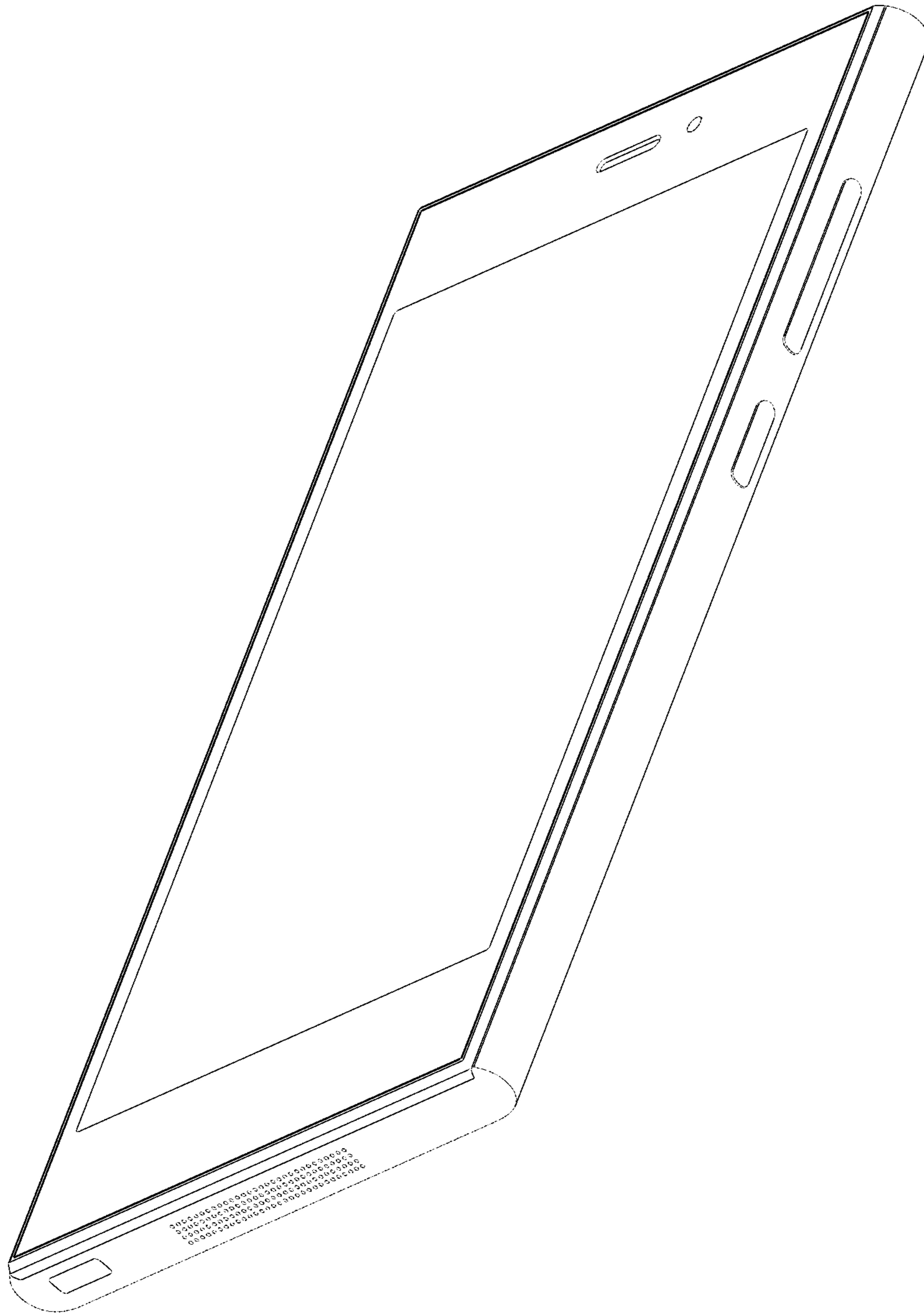


Fig.15

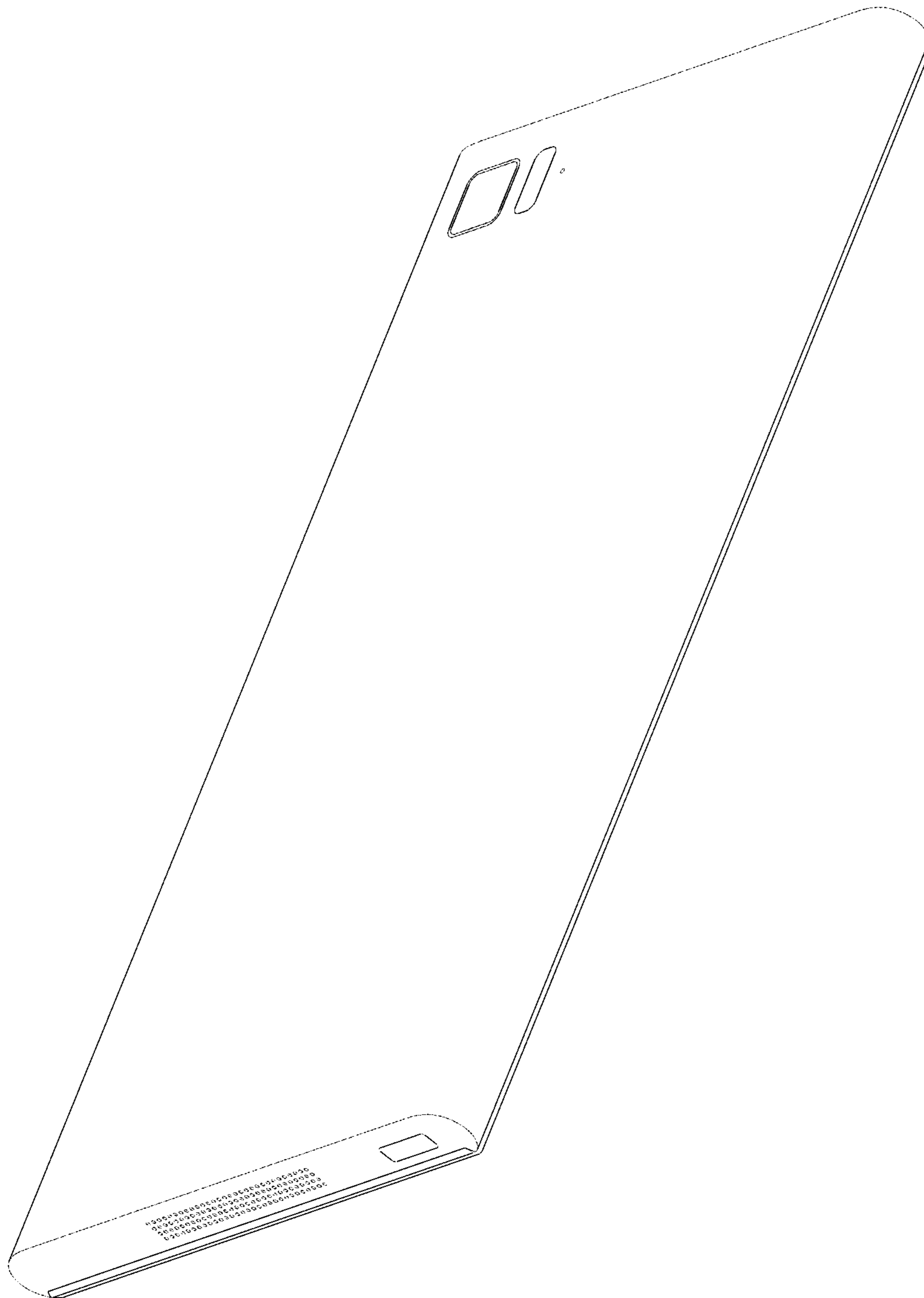


Fig.16