



US00D749530S

(12) **United States Design Patent**  
**Zheng et al.**

(10) **Patent No.:** **US D749,530 S**  
(45) **Date of Patent:** **\*\* Feb. 16, 2016**

(54) **CAM SWITCH**

(71) Applicant: **ABB Oy**, Helsinki (FI)

(72) Inventors: **Qifeng Zheng**, Quanzhou (CN); **Qishun Guo**, Xiamen SEZ (CN); **Xinde Lin**, WenLing (CN); **Jiejun Lu**, Xiamen SEZ (CN); **Shujing Ye**, Xiamen SEZ (CN)

(73) Assignee: **ABB OY**, Helsinki (FI)

(\*\*) Term: **15 Years**

(21) Appl. No.: **29/531,205**

(22) Filed: **Jun. 24, 2015**

**Related U.S. Application Data**

(62) Division of application No. 29/443,102, filed on Jan. 14, 2013, now Pat. No. Des. 738,322.

(30) **Foreign Application Priority Data**

Jul. 16, 2012 (CN) ..... 2012 3 0328647

(51) **LOC (10) Cl.** ..... **13-03**

(52) **U.S. Cl.**  
USPC ..... **D13/169**; D13/158

(58) **Field of Classification Search**  
USPC ..... D13/158, 160, 162, 169, 178  
CPC ..... H01H 1/02; H01H 1/08; H01H 1/20;  
H01H 3/20; H01H 3/40; H01H 3/42; H01H  
9/22; H01H 9/282; H01H 19/00; H01H  
19/035; H01H 19/114; H01H 19/6355;  
H01H 19/64

See application file for complete search history.

(56) **References Cited**

U.S. PATENT DOCUMENTS

4,335,288	A	6/1982	Ludwig et al.	
4,713,498	A	12/1987	Ludwig et al.	
4,851,620	A	7/1989	Schaeffer	
4,861,949	A	8/1989	Bortolloni et al.	
D393,626	S	4/1998	Siat	
6,072,128	A	6/2000	Ansorge et al.	
6,423,912	B1	7/2002	Arenz et al.	
6,576,851	B1	6/2003	Barlian et al.	
6,969,813	B1	11/2005	Winslett et al.	
7,368,675	B2	5/2008	Ishido et al.	
7,514,645	B2	4/2009	Shahmuradyan	
7,870,810	B2	1/2011	Da Dalt et al.	
D658,597	S	5/2012	Kuwae et al.	
D738,322	S *	9/2015	Zheng et al. ....	D13/169
D738,323	S *	9/2015	Zheng et al. ....	D13/169
D738,324	S *	9/2015	Zheng et al. ....	D13/171
2012/0080298	A1	4/2012	Lee	
2014/0326585	A1	11/2014	Reinhart et al.	

\* cited by examiner

*Primary Examiner* — Selina Sikder

(74) *Attorney, Agent, or Firm* — Buchanan, Ingersoll & Rooney PC

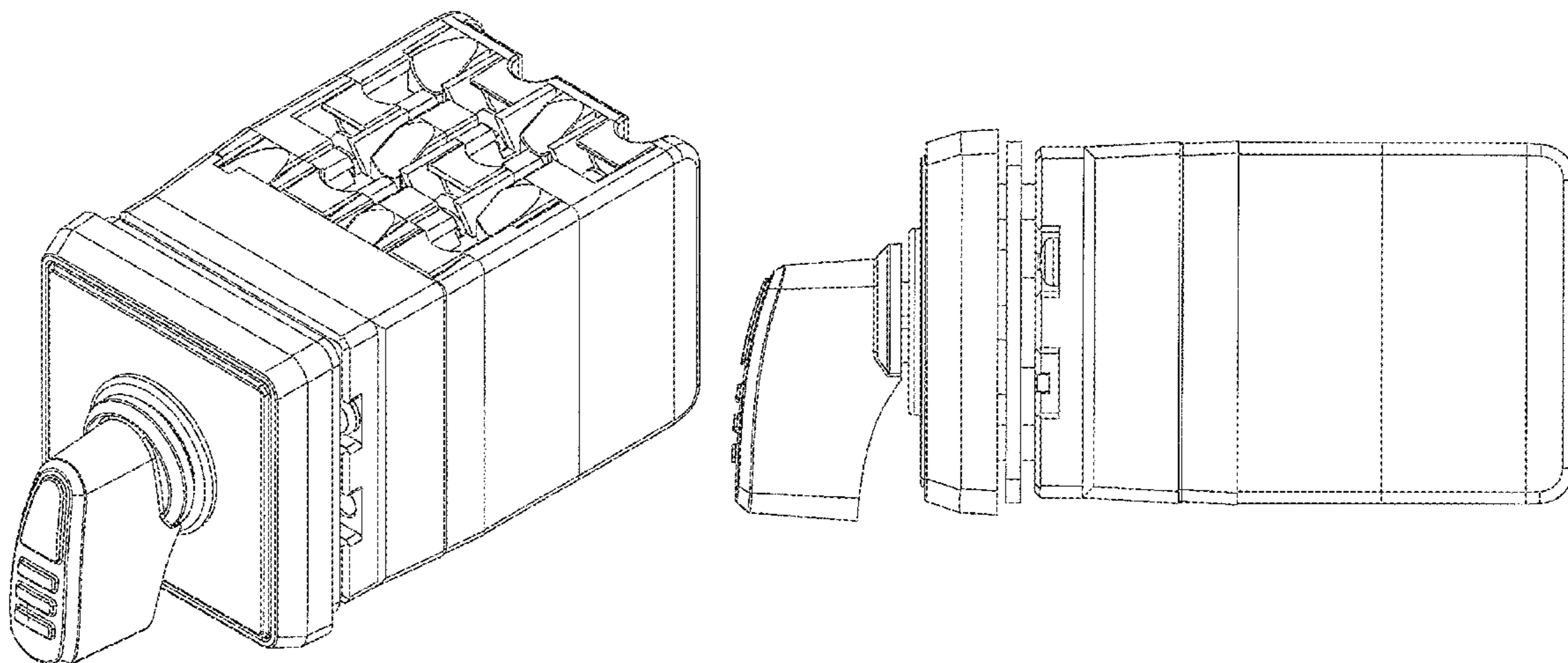
(57) **CLAIM**

The ornamental design for a cam switch, as shown and described.

**DESCRIPTION**

FIG. 1 is a perspective view of a cam switch showing our new design.  
FIG. 2 is a front elevational view thereof.  
FIG. 3 is a rear elevational view thereof.  
FIG. 4 is a left side elevational view thereof.  
FIG. 5 is a right side elevational view thereof.  
FIG. 6 is a top plan view thereof; and,  
FIG. 7 is a bottom plan view thereof.  
The broken line showing of the cam switch is for the purpose of illustrating environmental structure and forms no part of the claimed design.

**1 Claim, 6 Drawing Sheets**



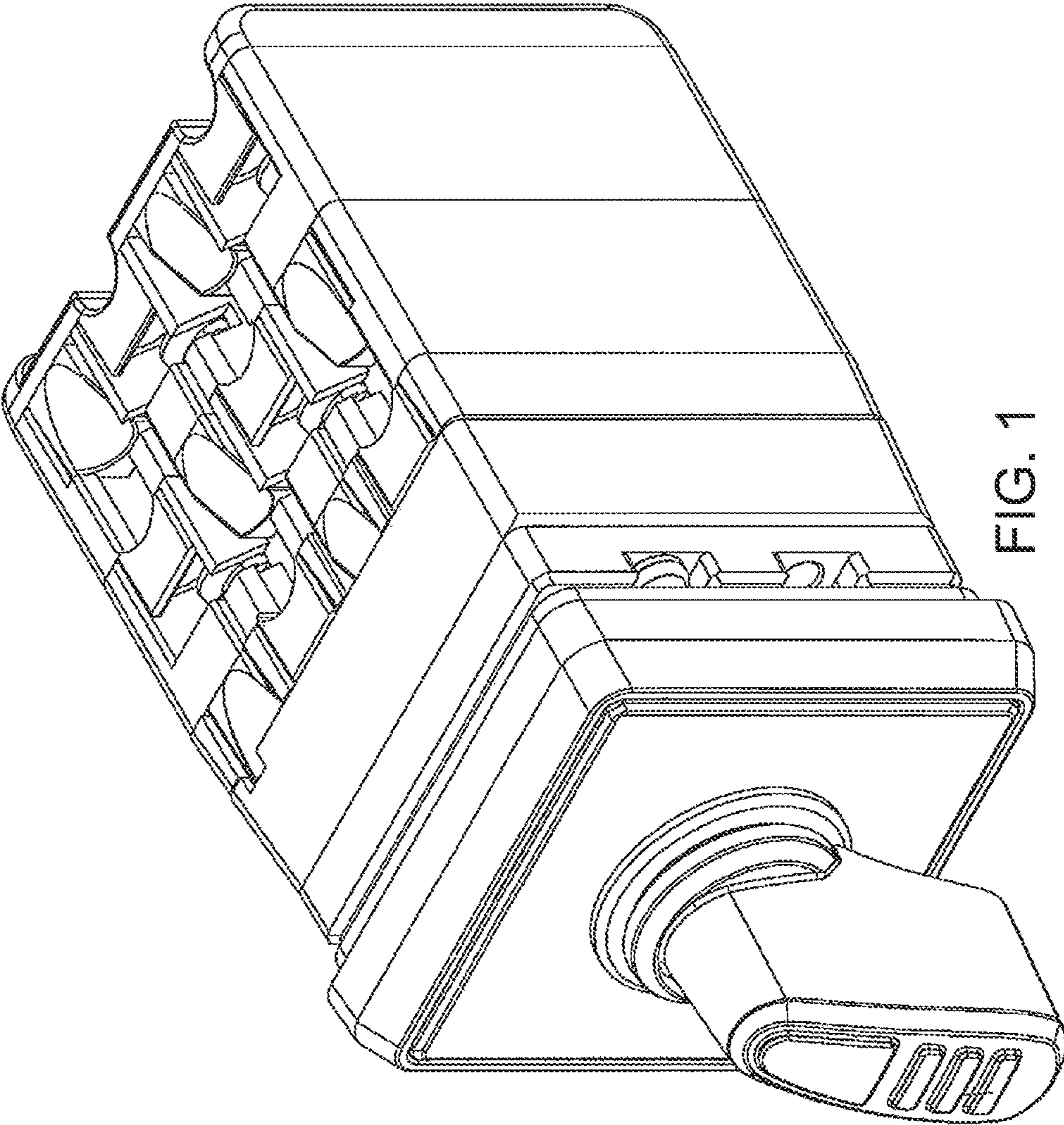


FIG. 1

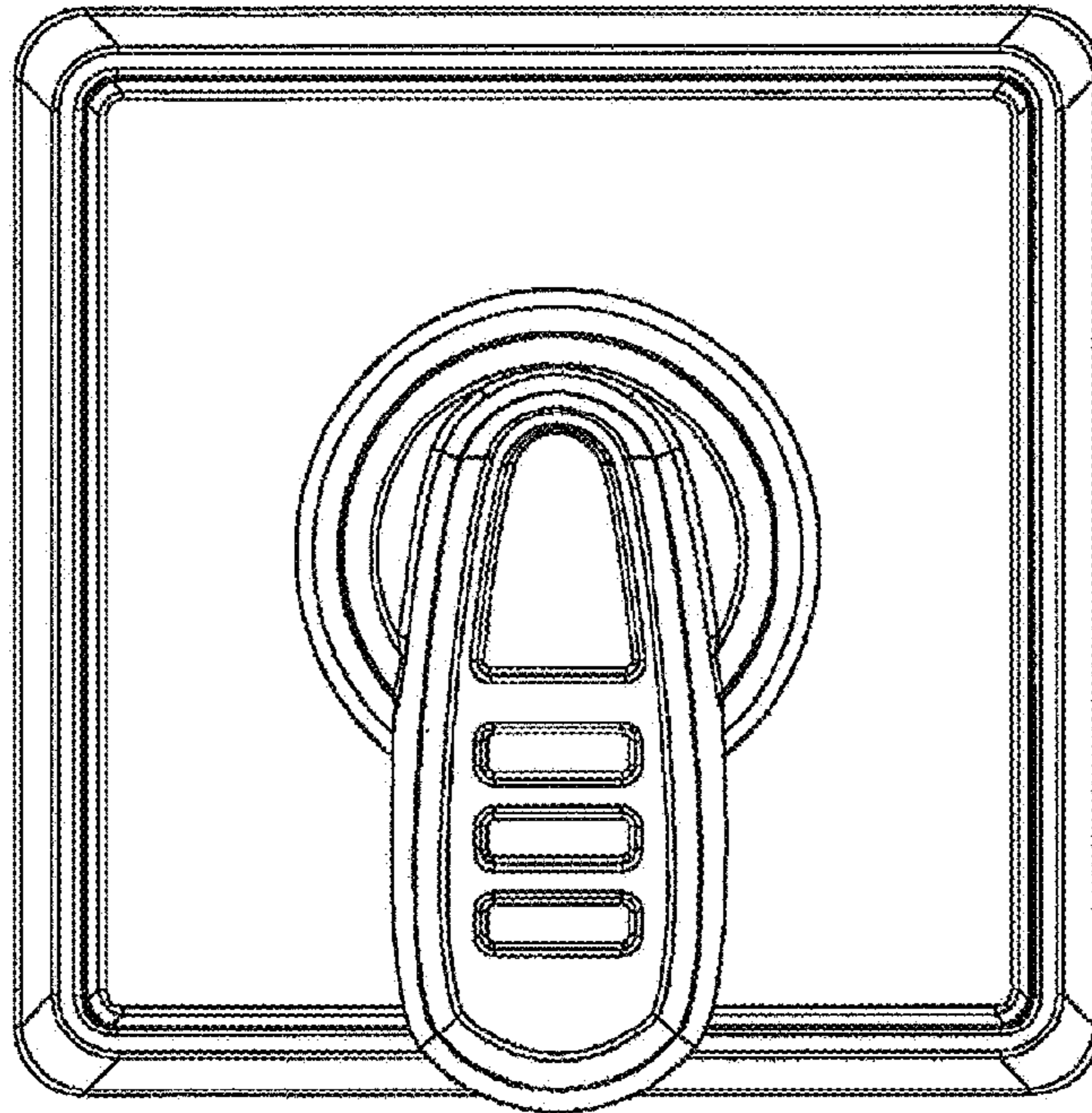


FIG. 2

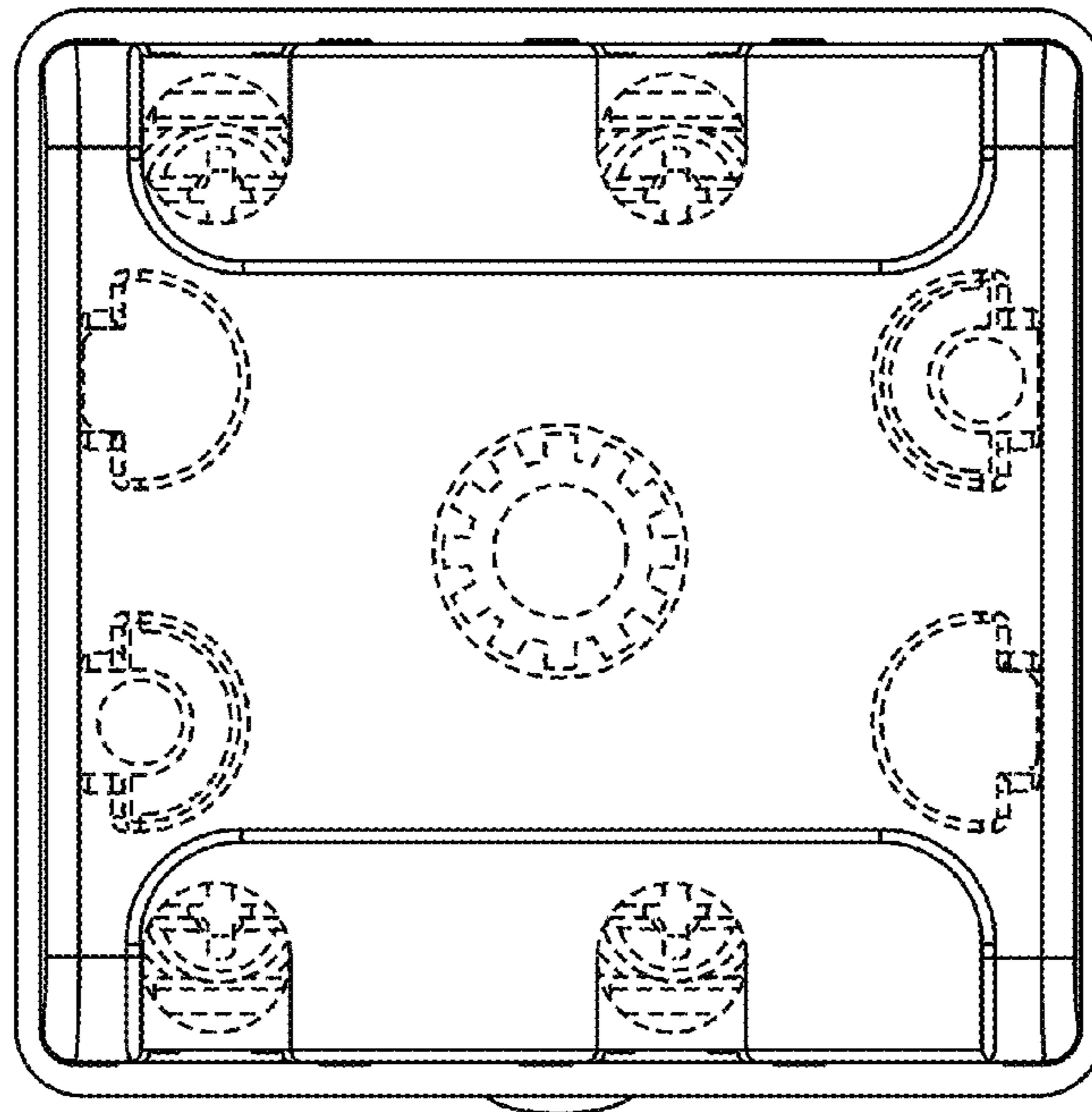


FIG. 3

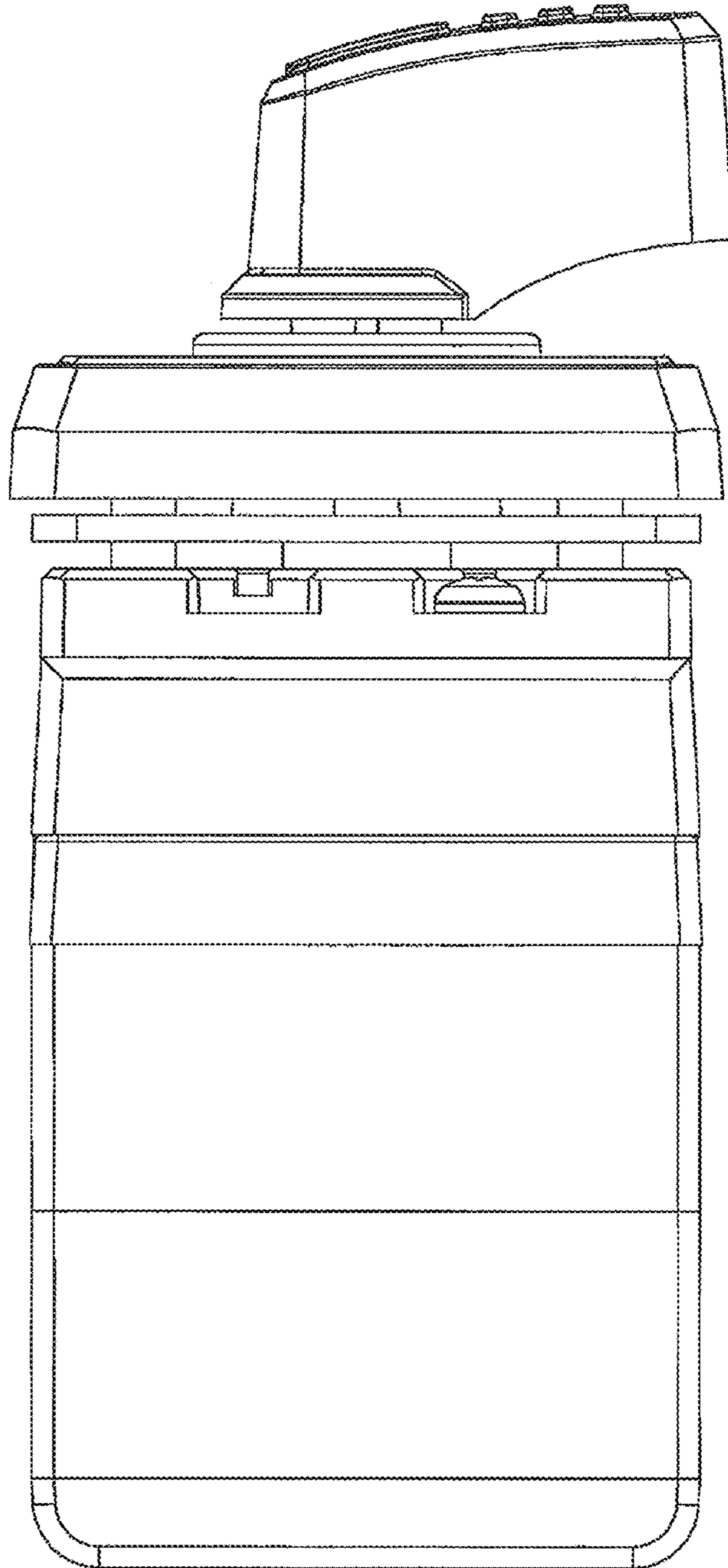


FIG. 4

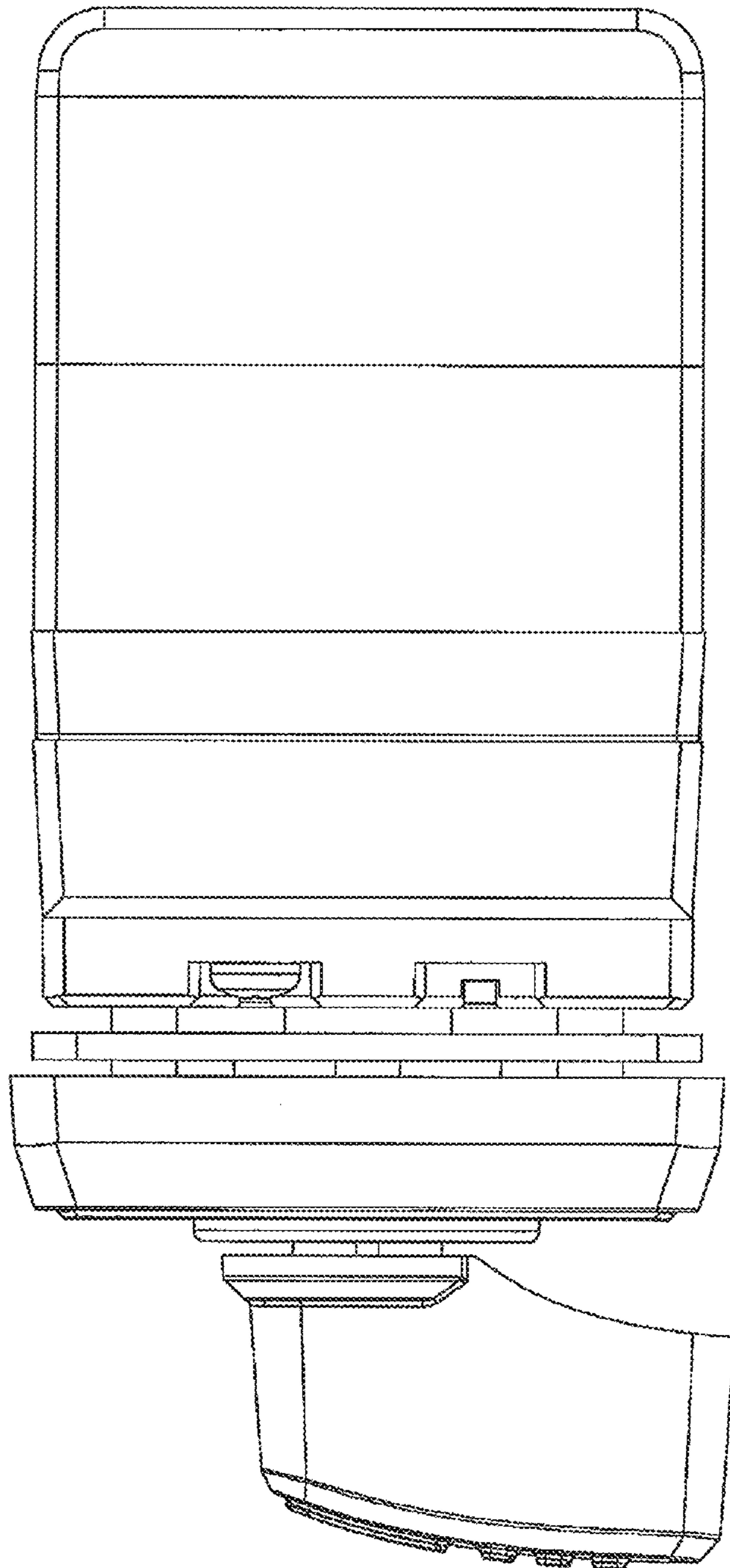


FIG. 5

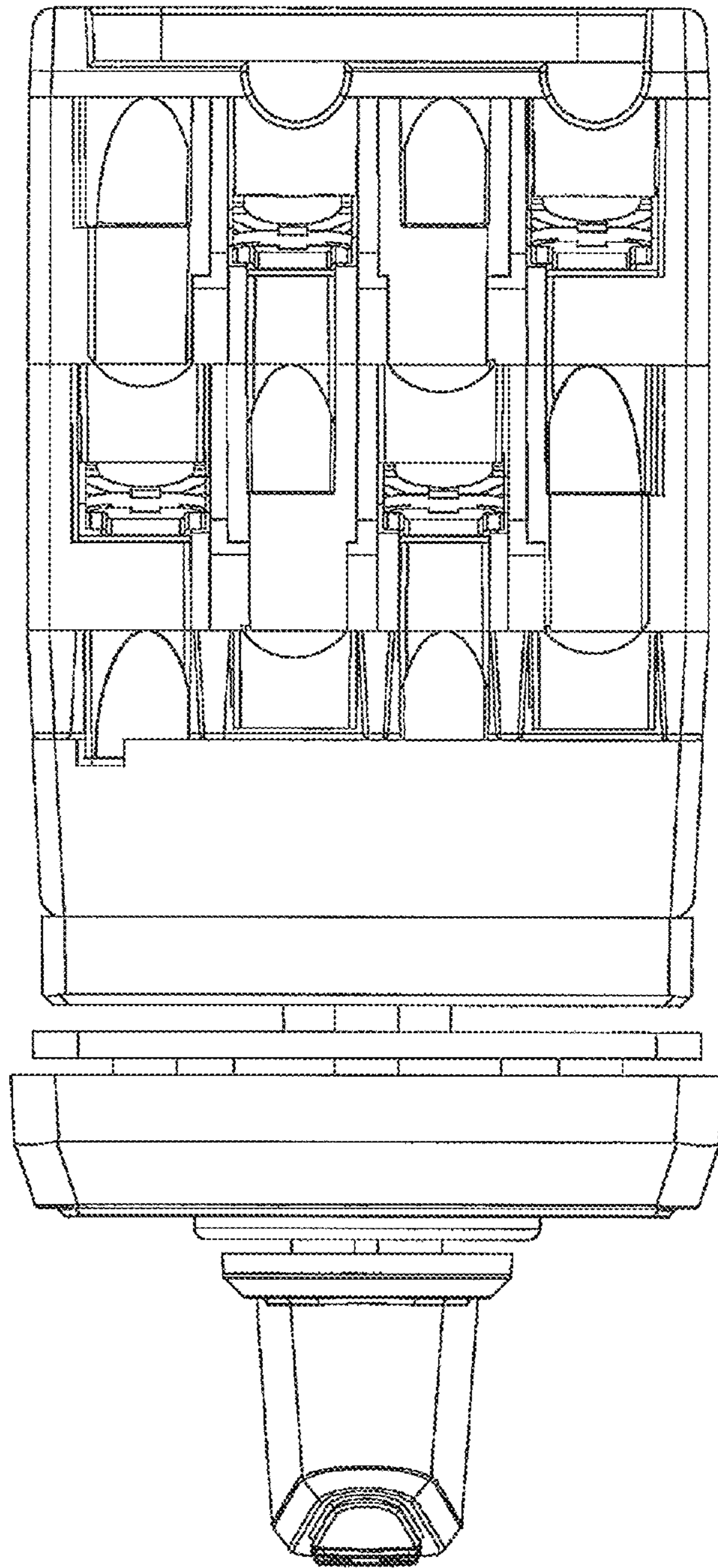


FIG. 6

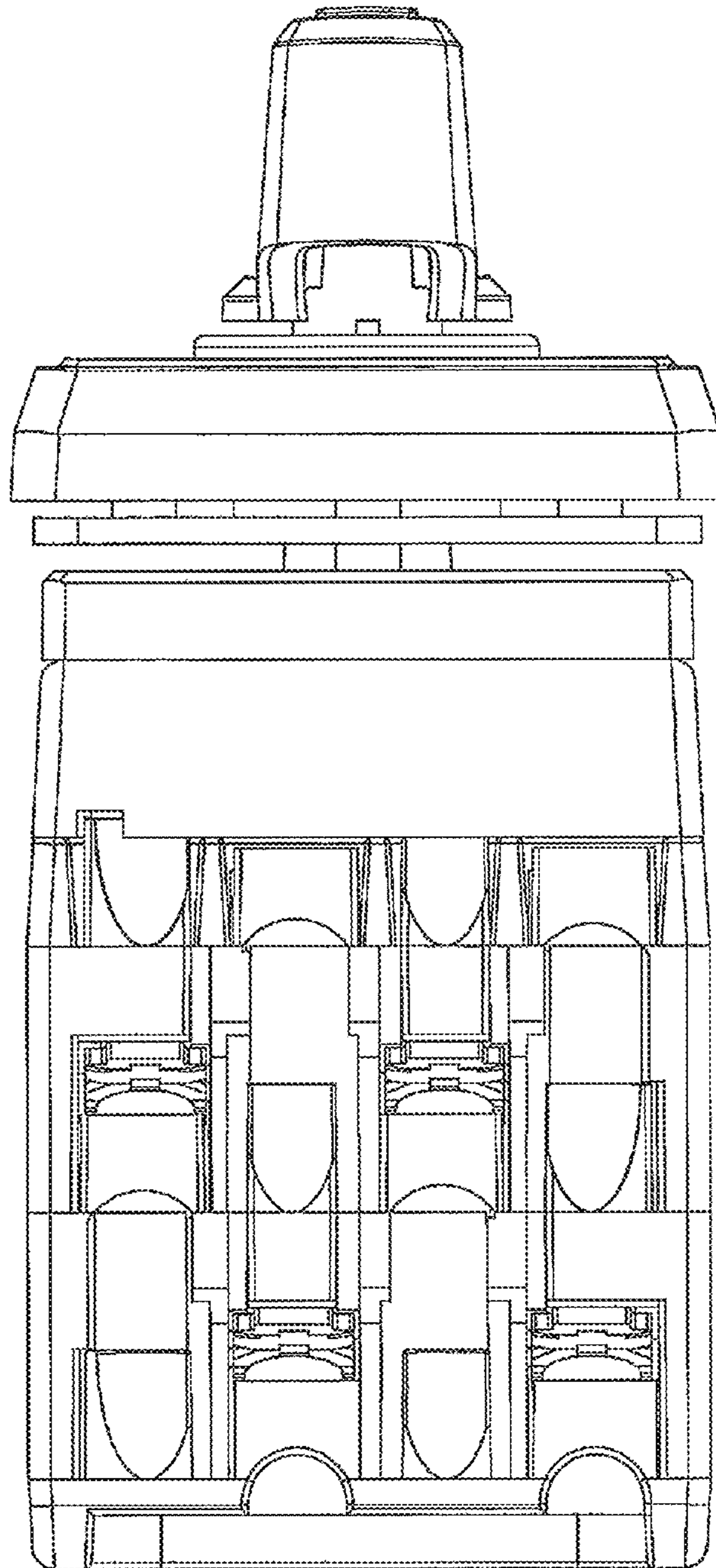


FIG. 7