

US00D749528S

(12) **United States Design Patent**
Zheng et al.

(10) **Patent No.:** **US D749,528 S**
(45) **Date of Patent:** **** Feb. 16, 2016**

(54) **CAM SWITCH**

(71) Applicant: **ABB Oy**, Helsinki (FI)

(72) Inventors: **Qifeng Zheng**, Quanzhou (CN);
Qishun Guo, Xiamen SEZ (CN); **Xinde Lin**, WenLing (CN); **Jiejun Lu**, Xiamen SEZ (CN); **Shujing Ye**, Xiamen SEZ (CN)

(73) Assignee: **ABB OY**, Helsinki (FI)

(**) Term: **15 Years**

(21) Appl. No.: **29/531,191**

(22) Filed: **Jun. 24, 2015**

Related U.S. Application Data

(62) Division of application No. 29/443,102, filed on Jan. 14, 2013, now Pat. No. Des. 738,322.

Foreign Application Priority Data

Jul. 16, 2012 (CN) 2012 3 0328647

(51) **LOC (10) Cl.** **13-03**

(52) **U.S. Cl.**
USPC **D13/169**; D13/158

(58) **Field of Classification Search**
USPC D13/158, 160, 162, 169, 178
CPC H01H 1/02; H01H 1/08; H01H 1/20;
H01H 3/20; H01H 3/40; H01H 3/42; H01H
9/22; H01H 9/282; H01H 19/00; H01H
19/035; H01H 19/114; H01H 19/6355;
H01H 19/64

See application file for complete search history.

(56) **References Cited**

U.S. PATENT DOCUMENTS

| | | | | |
|--------------|-----|---------|-------------------|---------|
| 4,335,288 | A | 6/1982 | Ludwig et al. | |
| 4,713,498 | A | 12/1987 | Ludwig et al. | |
| 4,851,620 | A | 7/1989 | Schaeffer | |
| 4,861,949 | A | 8/1989 | Bortolloni et al. | |
| D393,626 | S | 4/1998 | Siat | |
| 6,072,128 | A | 6/2000 | Ansorge et al. | |
| 6,423,912 | B1 | 7/2002 | Arenz et al. | |
| 6,576,851 | B1 | 6/2003 | Barlian et al. | |
| 6,969,813 | B1 | 11/2005 | Winslett et al. | |
| 7,368,675 | B2 | 5/2008 | Ishido et al. | |
| 7,514,645 | B2 | 4/2009 | Shahmuradyan | |
| 7,870,810 | B2 | 1/2011 | Da Dalt et al. | |
| D658,597 | S | 5/2012 | Kuwae et al. | |
| D738,322 | S * | 9/2015 | Zheng et al. | D13/169 |
| D738,323 | S * | 9/2015 | Zheng et al. | D13/169 |
| D738,324 | S * | 9/2015 | Zheng et al. | D13/171 |
| 2012/0080298 | A1 | 4/2012 | Lee | |
| 2014/0326585 | A1 | 11/2014 | Reinhart et al. | |

* cited by examiner

Primary Examiner — Selina Sikder

(74) *Attorney, Agent, or Firm* — Buchanan, Ingersoll & Rooney PC

(57) **CLAIM**

The ornamental design for a cam switch, as shown and described.

DESCRIPTION

FIG. 1 is a perspective view of a cam switch showing our new design.

FIG. 2 is a front elevational view thereof.

FIG. 3 is a rear elevational view thereof.

FIG. 4 is a left side elevational view thereof.

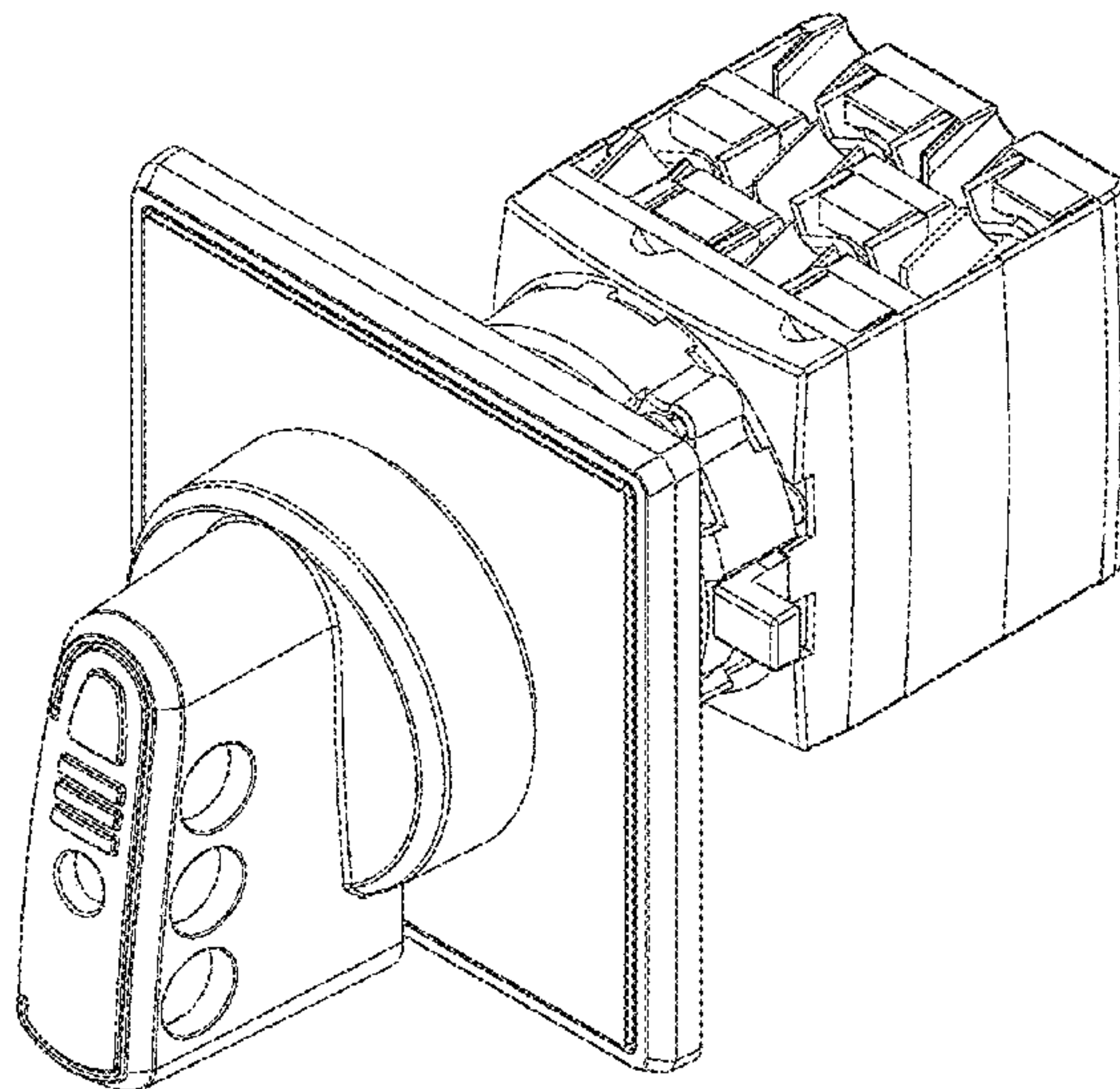
FIG. 5 is a right side elevational view thereof.

FIG. 6 is a top plan view thereof; and,

FIG. 7 is a bottom plan view thereof.

The broken line showing of the cam switch is for the purpose of illustrating environmental structure and forms no part of the claimed design.

1 Claim, 7 Drawing Sheets



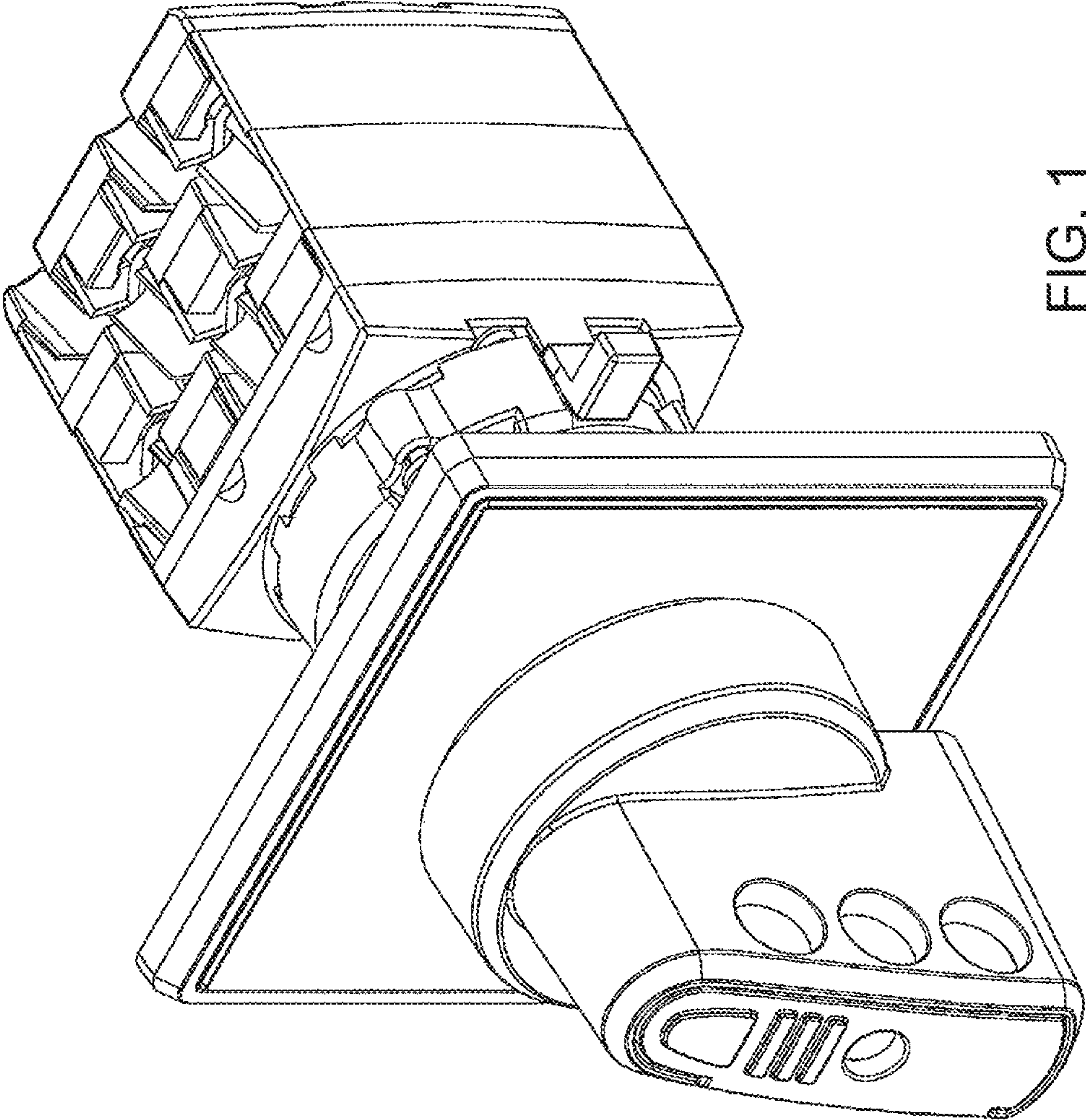


FIG. 1

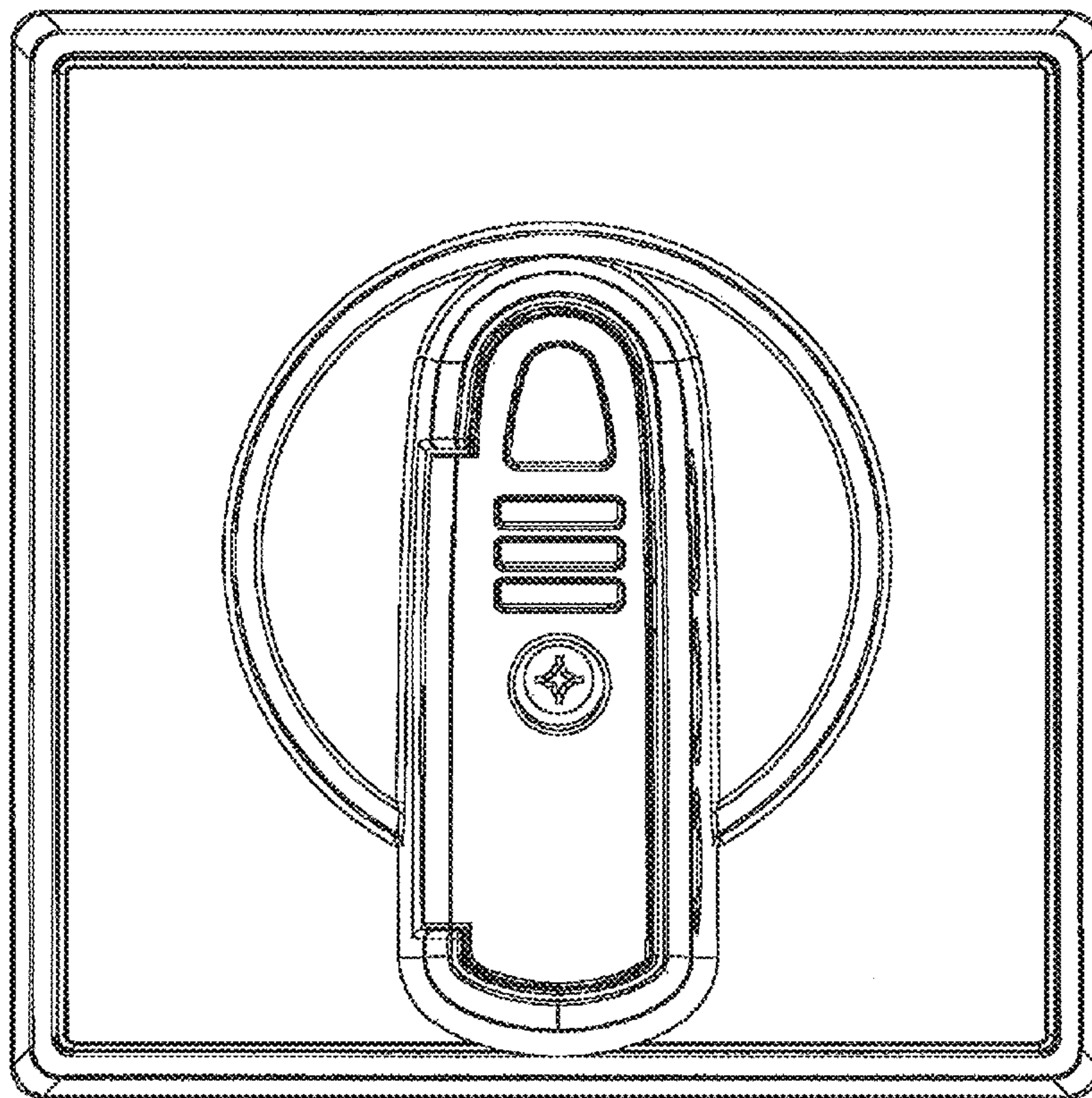


FIG. 2

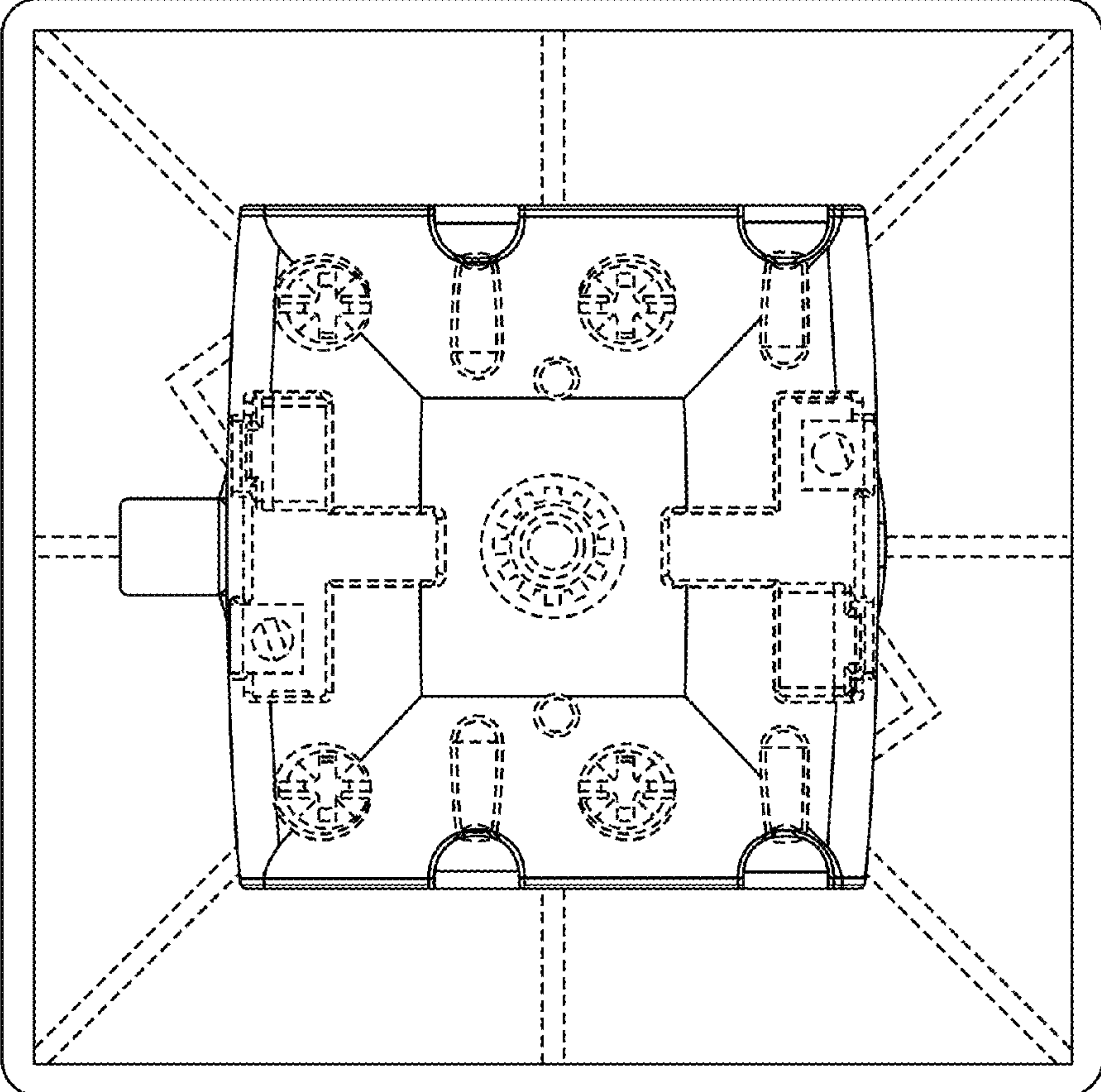


FIG. 3

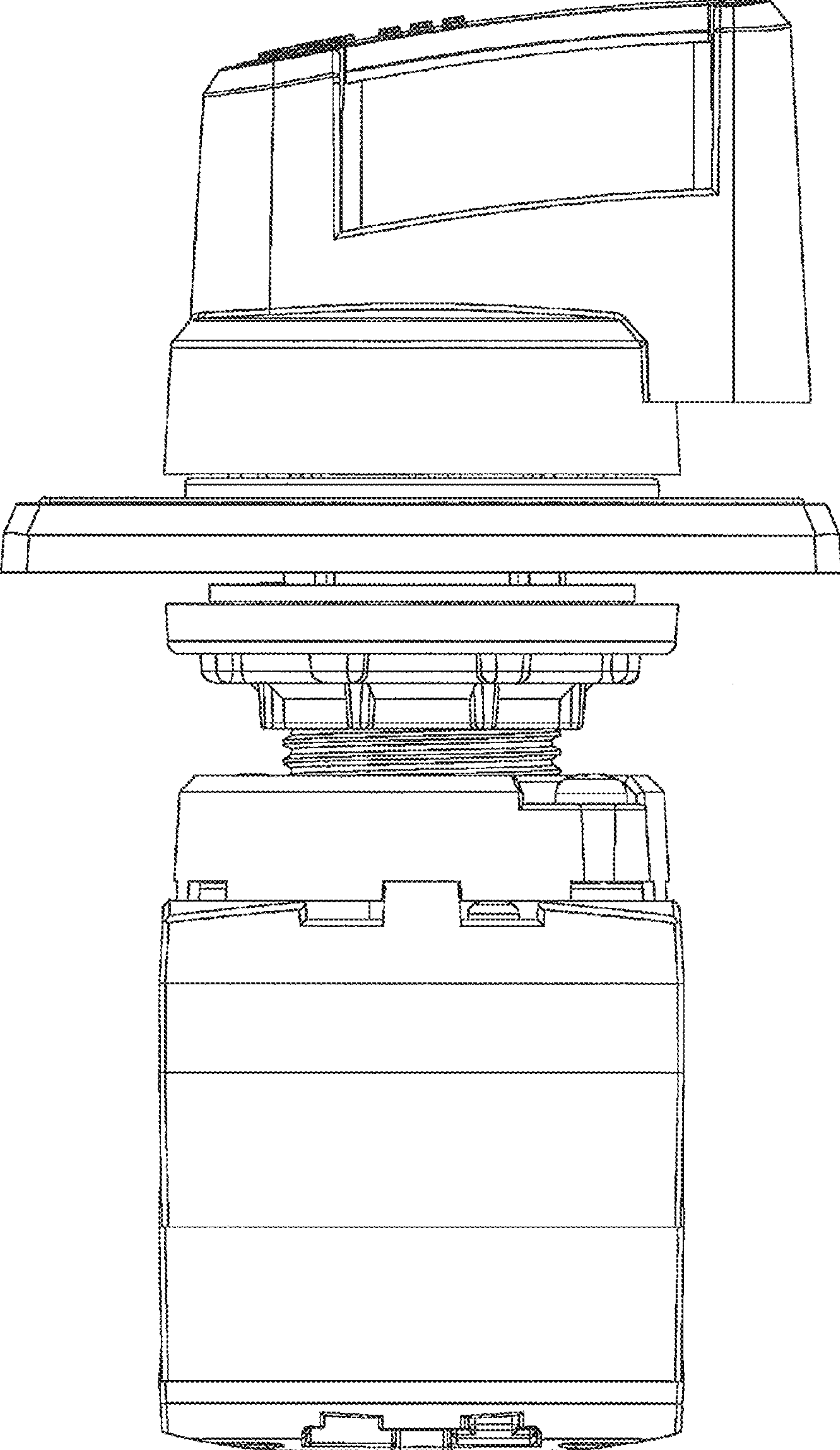


FIG. 4

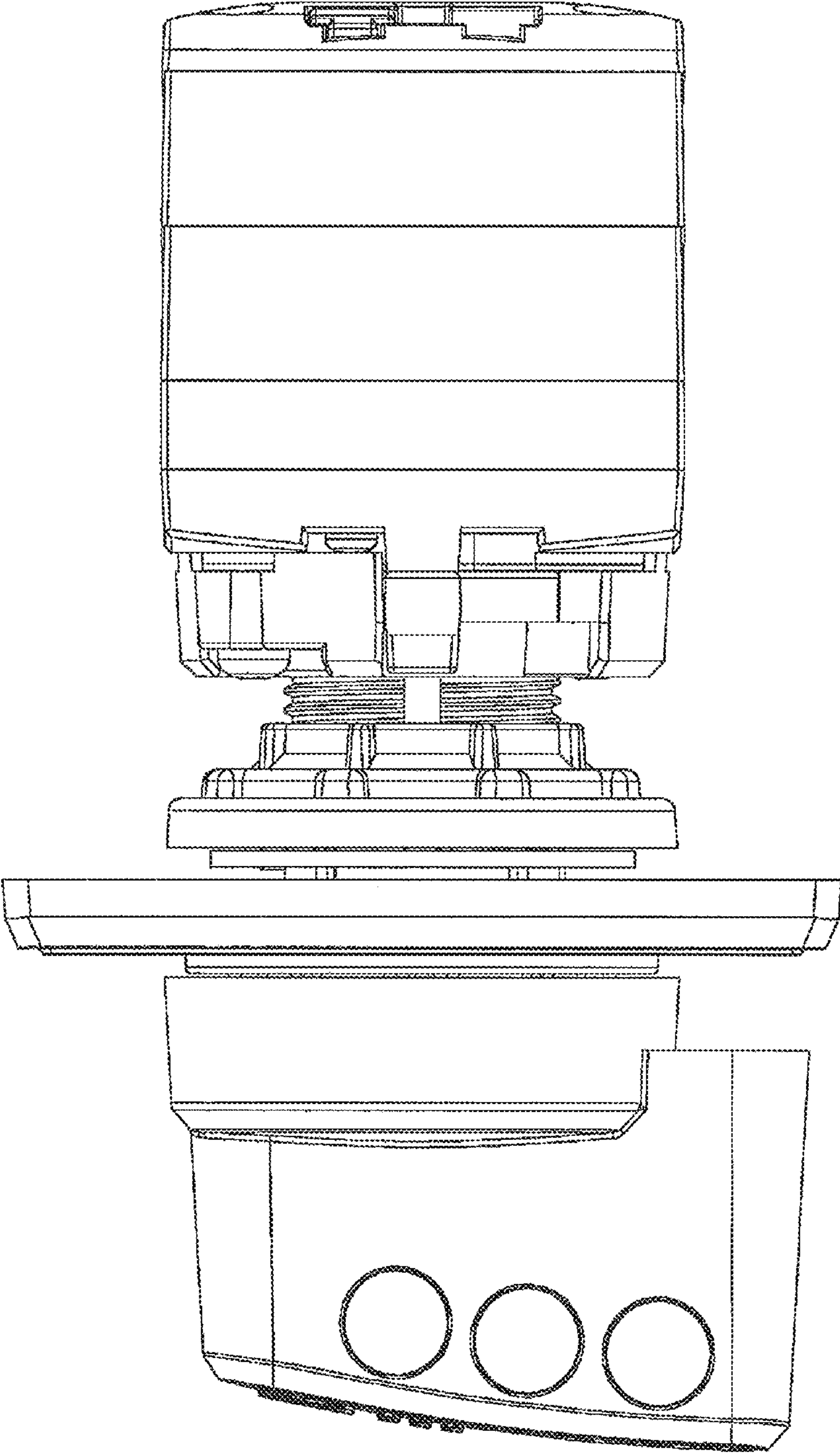


FIG. 5

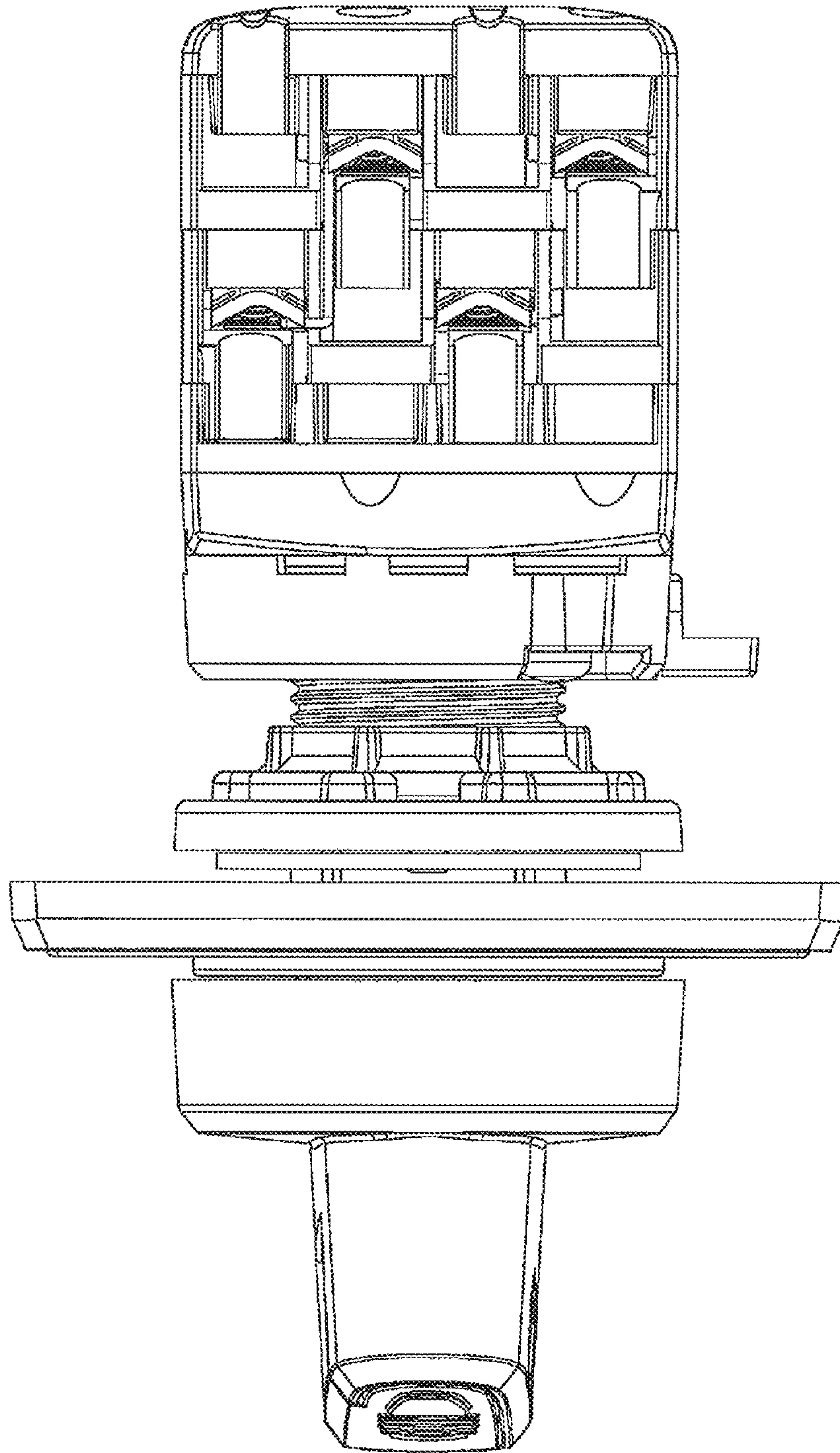


FIG. 6

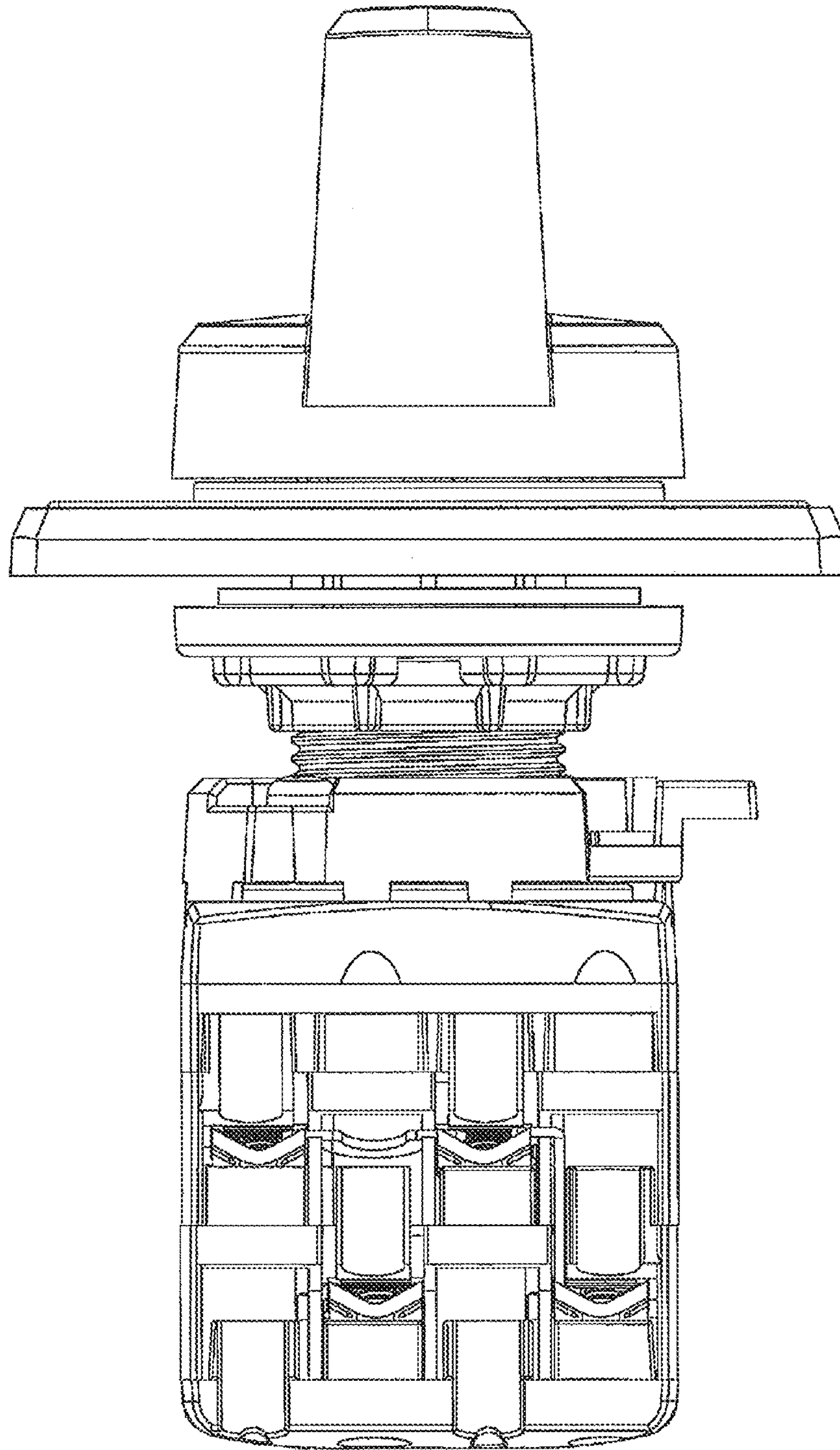


FIG. 7