



US00D749527S

(12) **United States Design Patent**
LI

(10) **Patent No.:** **US D749,527 S**

(45) **Date of Patent:** **** Feb. 16, 2016**

(54) **ELECTRONIC WIRELESS REMOTE CONTROLLER**

(71) Applicant: **EKEN ELECTRONICS LIMITED,**
Tsim Sha Tsui East, Kln (CN)

(72) Inventor: **Fu Chang LI,** Kln (CN)

(73) Assignee: **EKEN ELECTRONICS LIMITED,**
Tsim Sha Tsui East, Kln (HK)

(**) Term: **14 Years**

(21) Appl. No.: **29/512,899**

(22) Filed: **Dec. 23, 2014**

(51) **LOC (10) Cl.** **14-03**

(52) **U.S. Cl.**
USPC **D13/168; D14/218**

(58) **Field of Classification Search**
USPC D13/168; D14/137, 155, 188, 218, 240,
D14/242, 358; D21/333, 566
CPC H03J 1/0025; H03J 9/00; H03J 9/02;
H03J 9/04; H03J 9/06; H04B 1/202; G05B
11/01; G06N 3/008; A63H 17/262; A63H
30/04; A63H 29/00; A63F 13/06
See application file for complete search history.

(56) **References Cited**

U.S. PATENT DOCUMENTS

5,499,388 A * 3/1996 Song H04B 1/1027
341/176
D478,051 S * 8/2003 Sagawa D13/168
6,620,022 B1 * 9/2003 Smith A63H 17/262
446/429

D494,156 S * 8/2004 Chen D14/240
D519,468 S * 4/2006 Khasminsky D13/168
7,250,844 B2 * 7/2007 Arai A63H 30/04
338/118
D570,924 S * 6/2008 Wai D21/566
7,380,627 B2 * 6/2008 Huang F16L 55/32
180/167
D586,328 S * 2/2009 Ganley D14/188
D670,768 S * 11/2012 Isono D21/566
D700,148 S * 2/2014 Paul D13/168
D712,982 S * 9/2014 Barajas D21/566
D738,869 S * 9/2015 Groener D14/240
D740,708 S * 10/2015 Pecorari D10/104.1
2003/0114075 A1 * 6/2003 Moll A63H 30/04
446/456
2006/0228987 A1 * 10/2006 Hayashi A63H 30/04
446/456

* cited by examiner

Primary Examiner — Selina Sikder

(74) *Attorney, Agent, or Firm* — Maier & Maier, PLLC

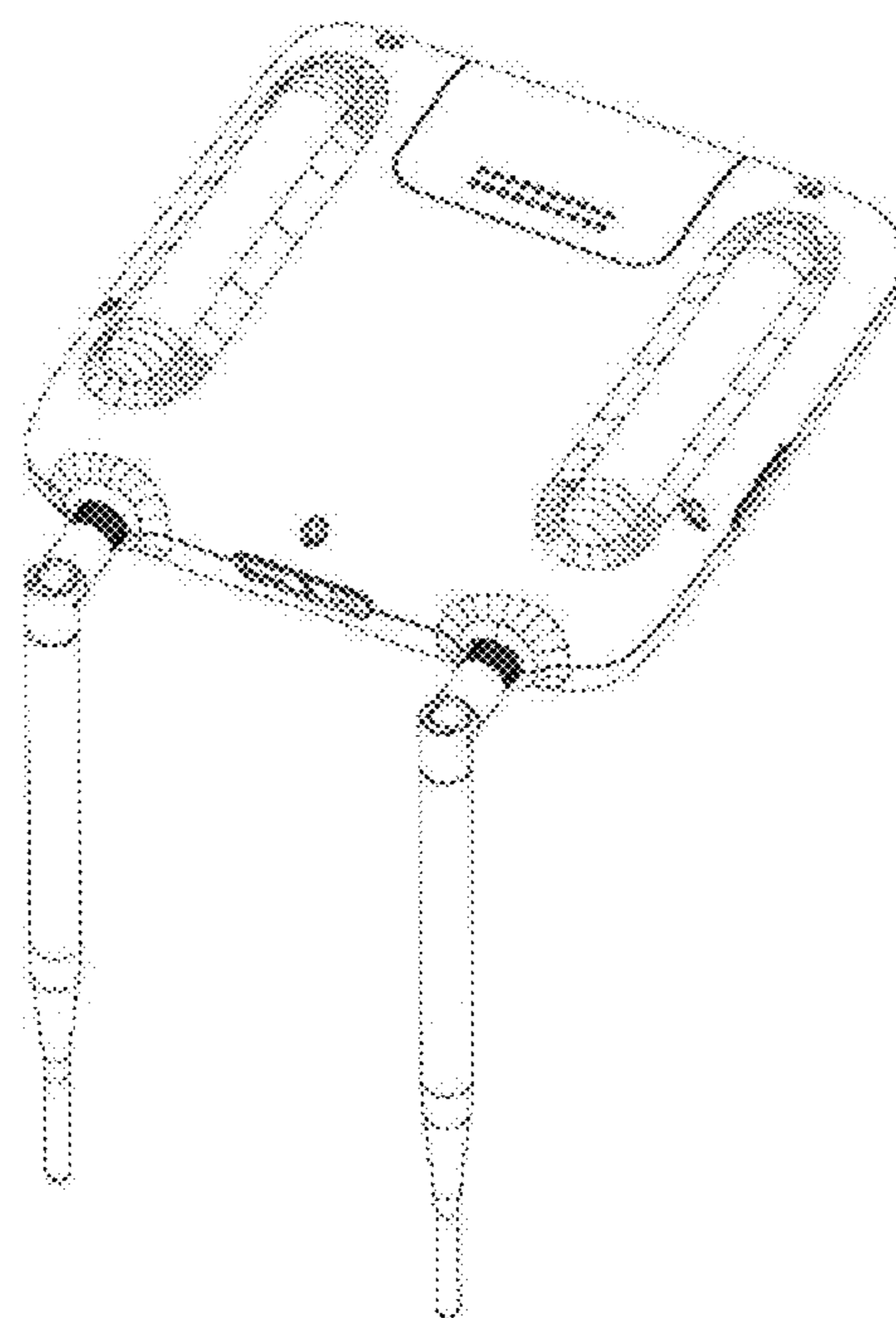
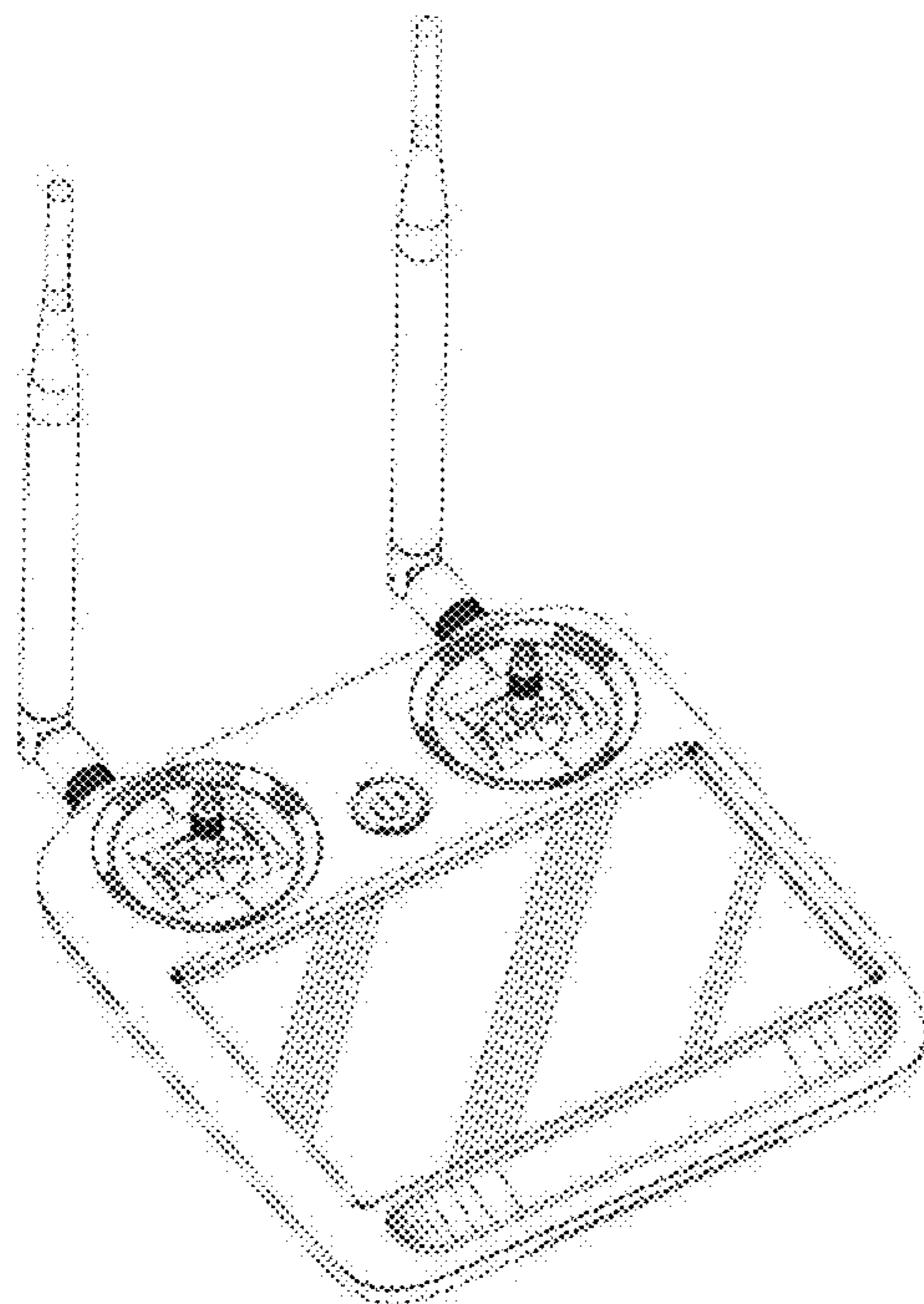
(57) **CLAIM**

The ornamental design for an electronic wireless remote controller, as shown and described.

DESCRIPTION

FIG. 1 is a front perspective view of an electronic wireless remote controller;
FIG. 2 is a rear perspective view thereof;
FIG. 3 is a front elevation view thereof;
FIG. 4 is a rear elevation view thereof;
FIG. 5 is a left side view thereof;
FIG. 6 is a right side view thereof;
FIG. 7 is a top plan view thereof; and,
FIG. 8 is a bottom plan view.

1 Claim, 8 Drawing Sheets



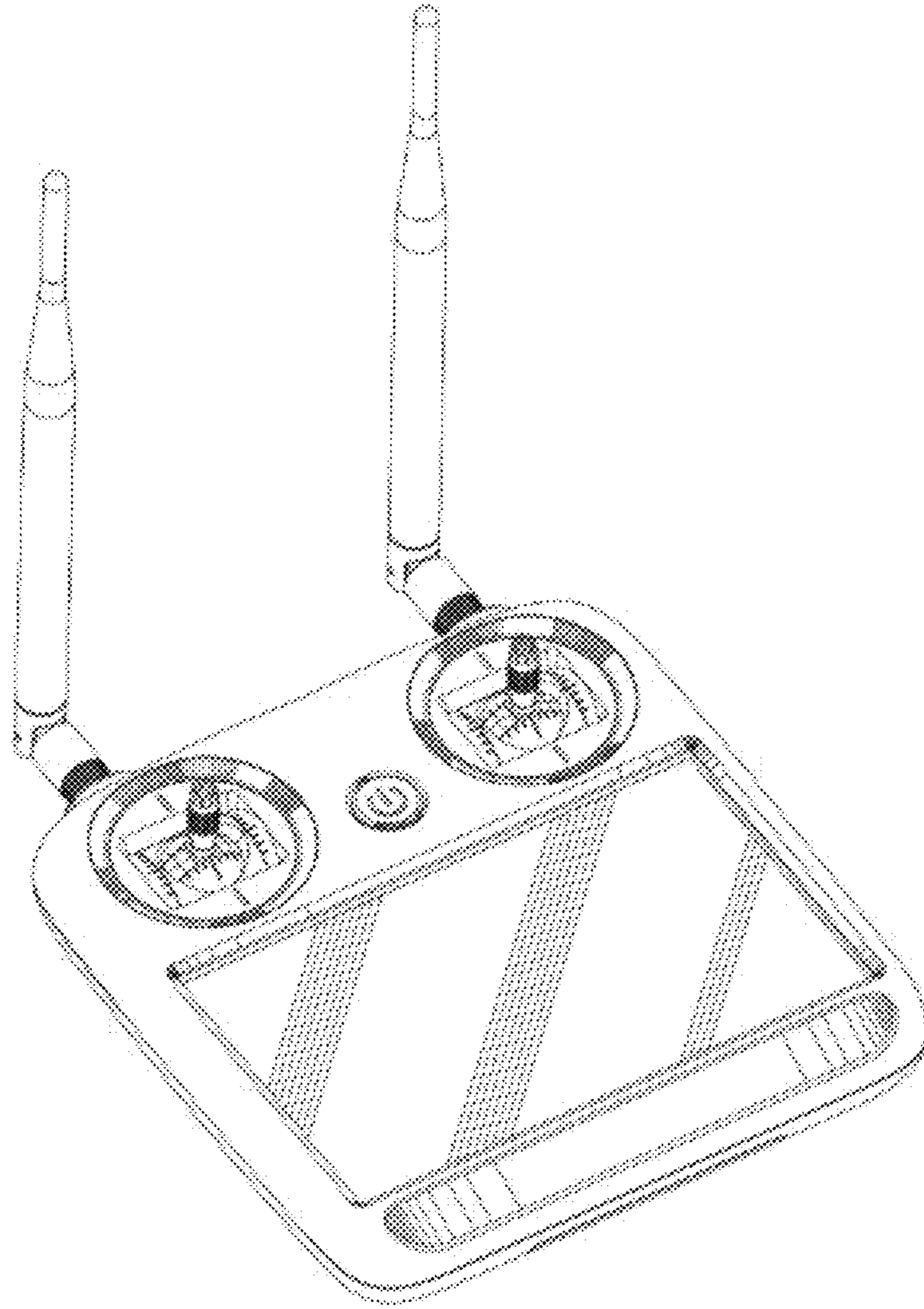


FIG. 1

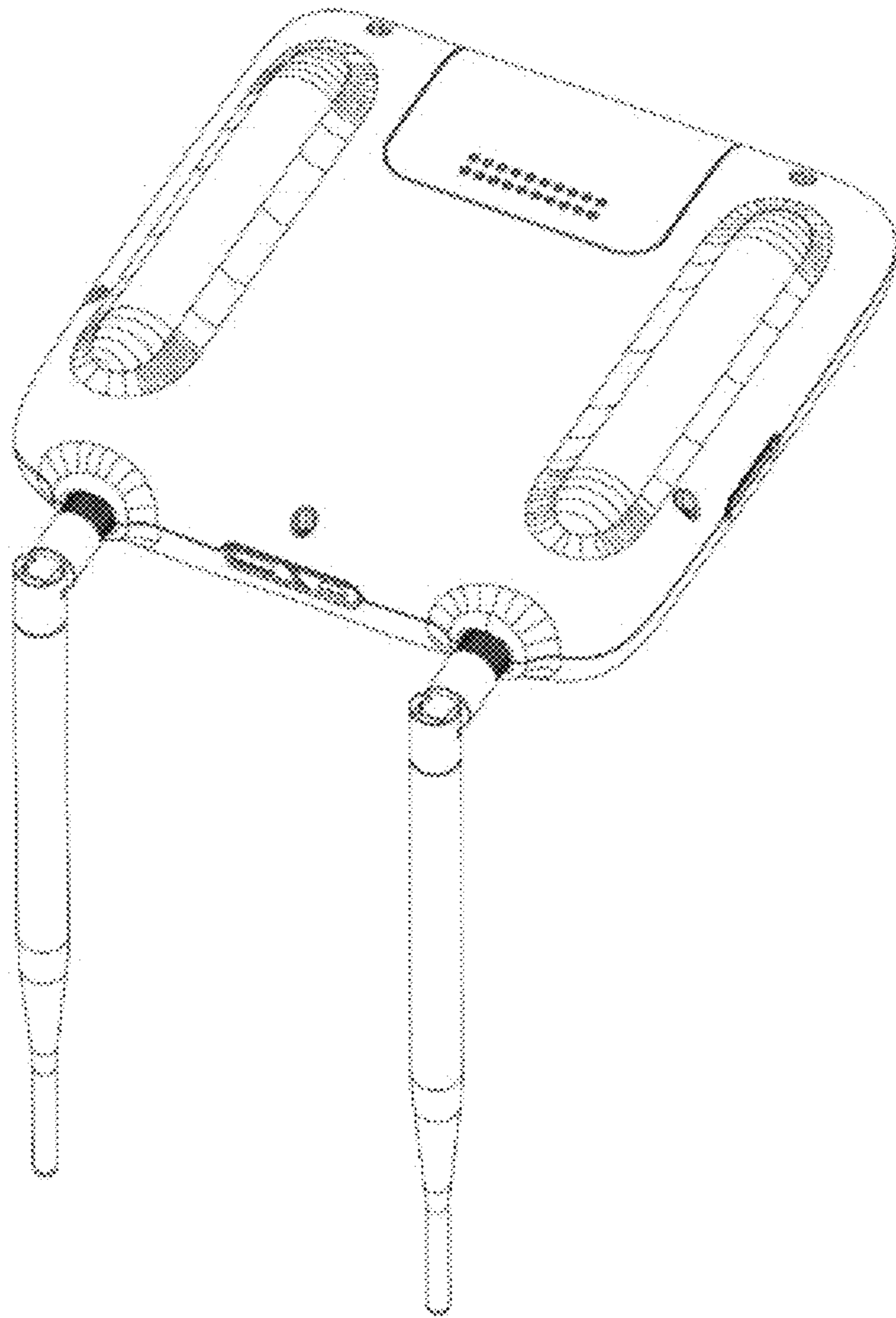


FIG. 2

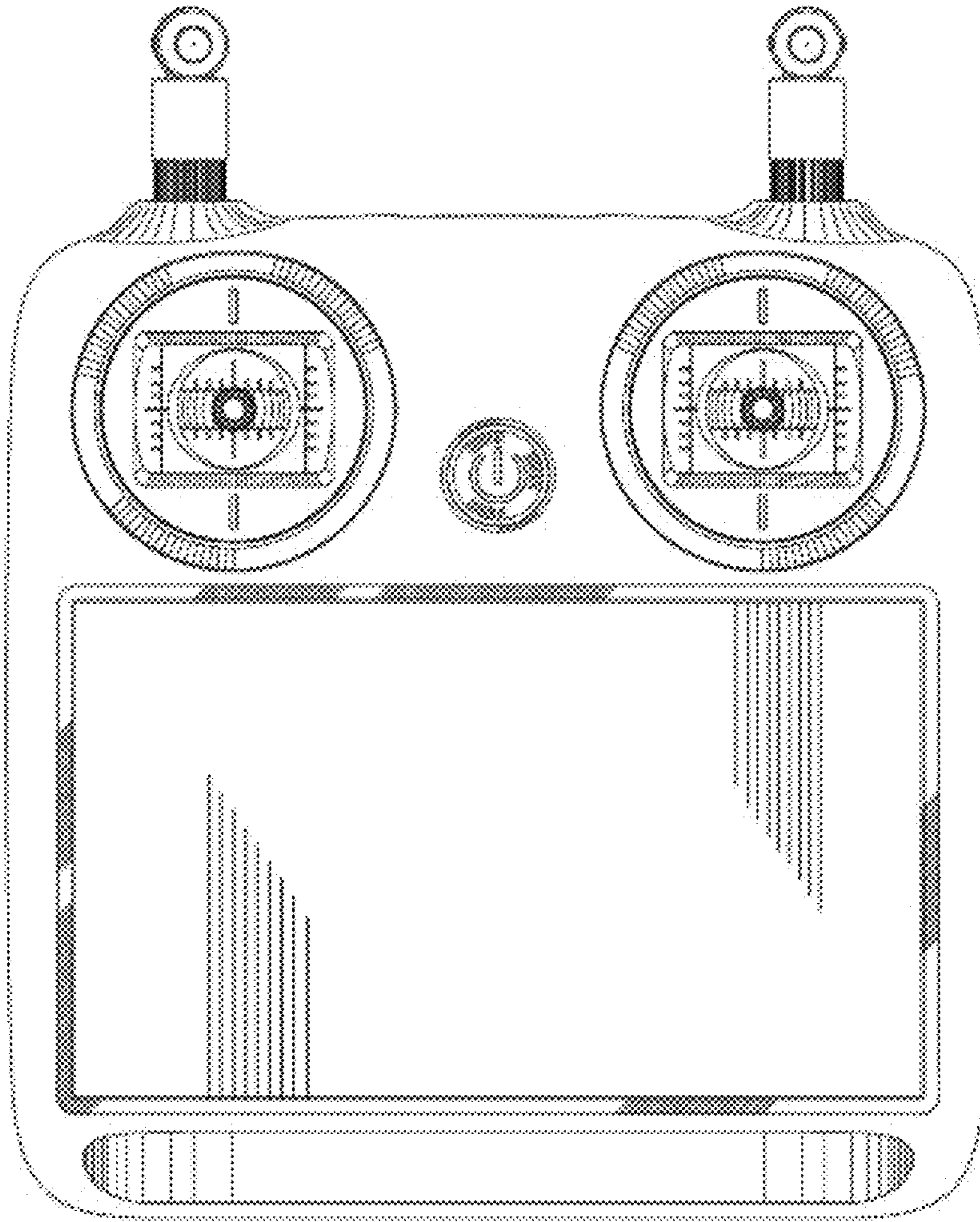


FIG. 3

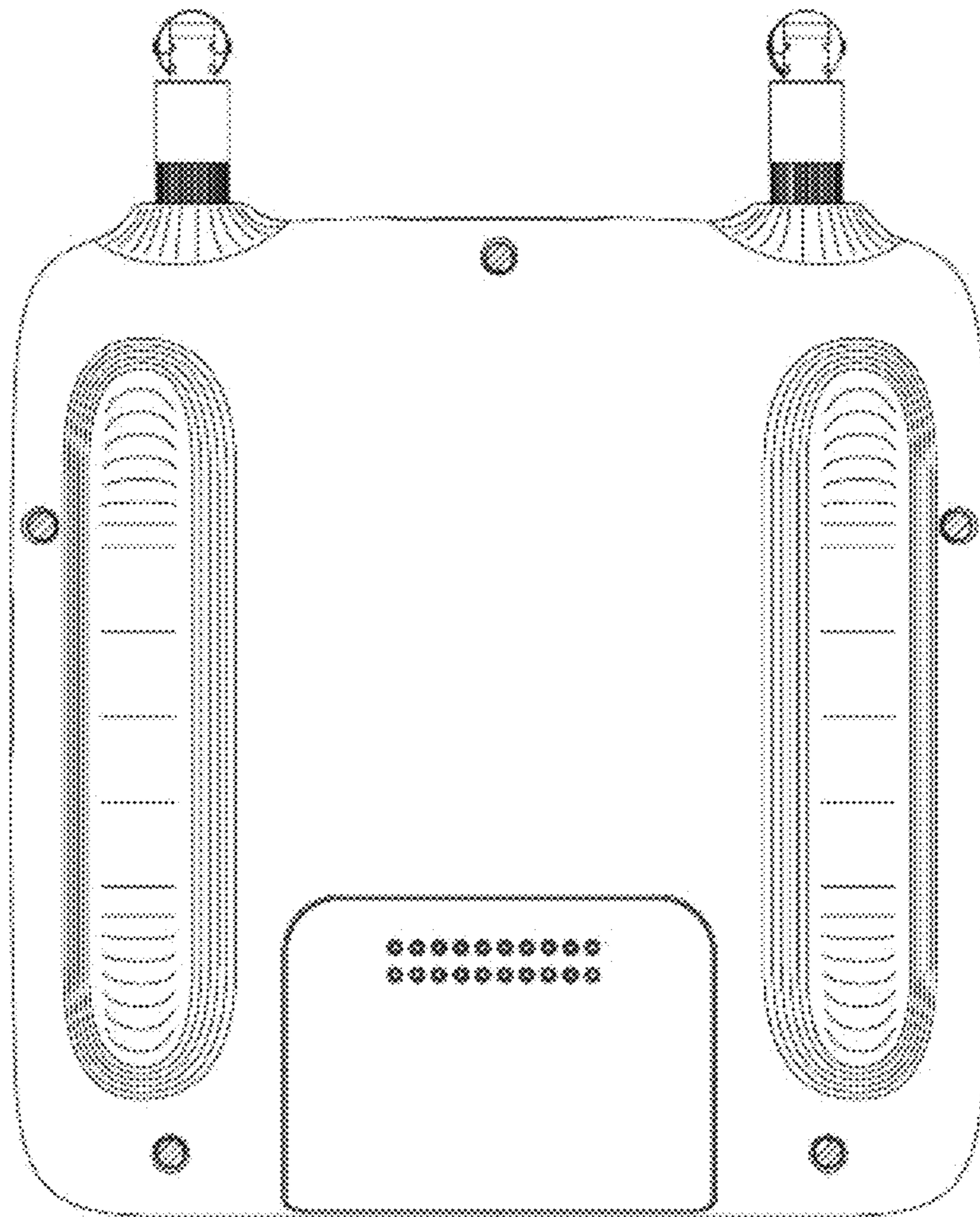


FIG. 4

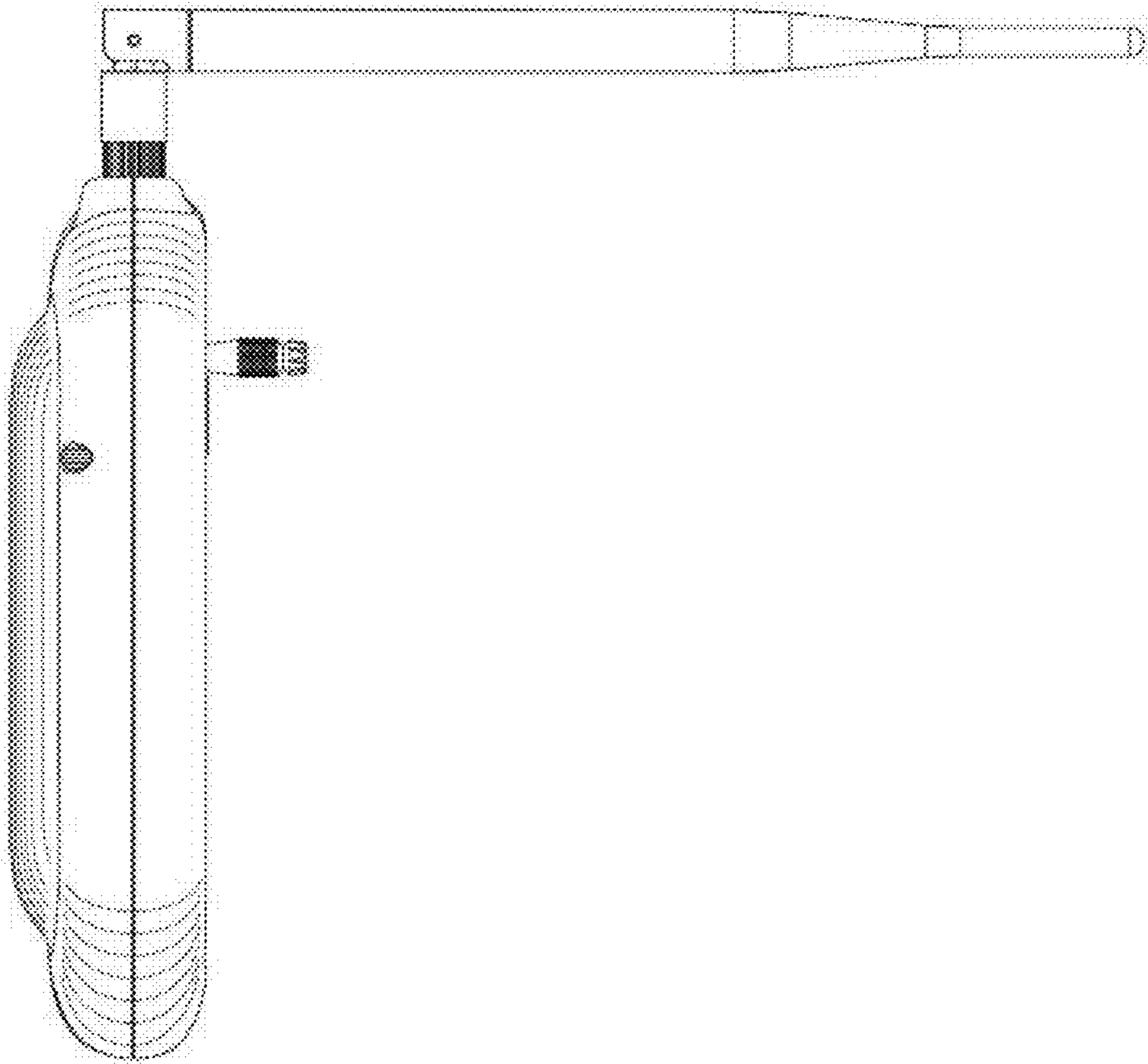


FIG. 5

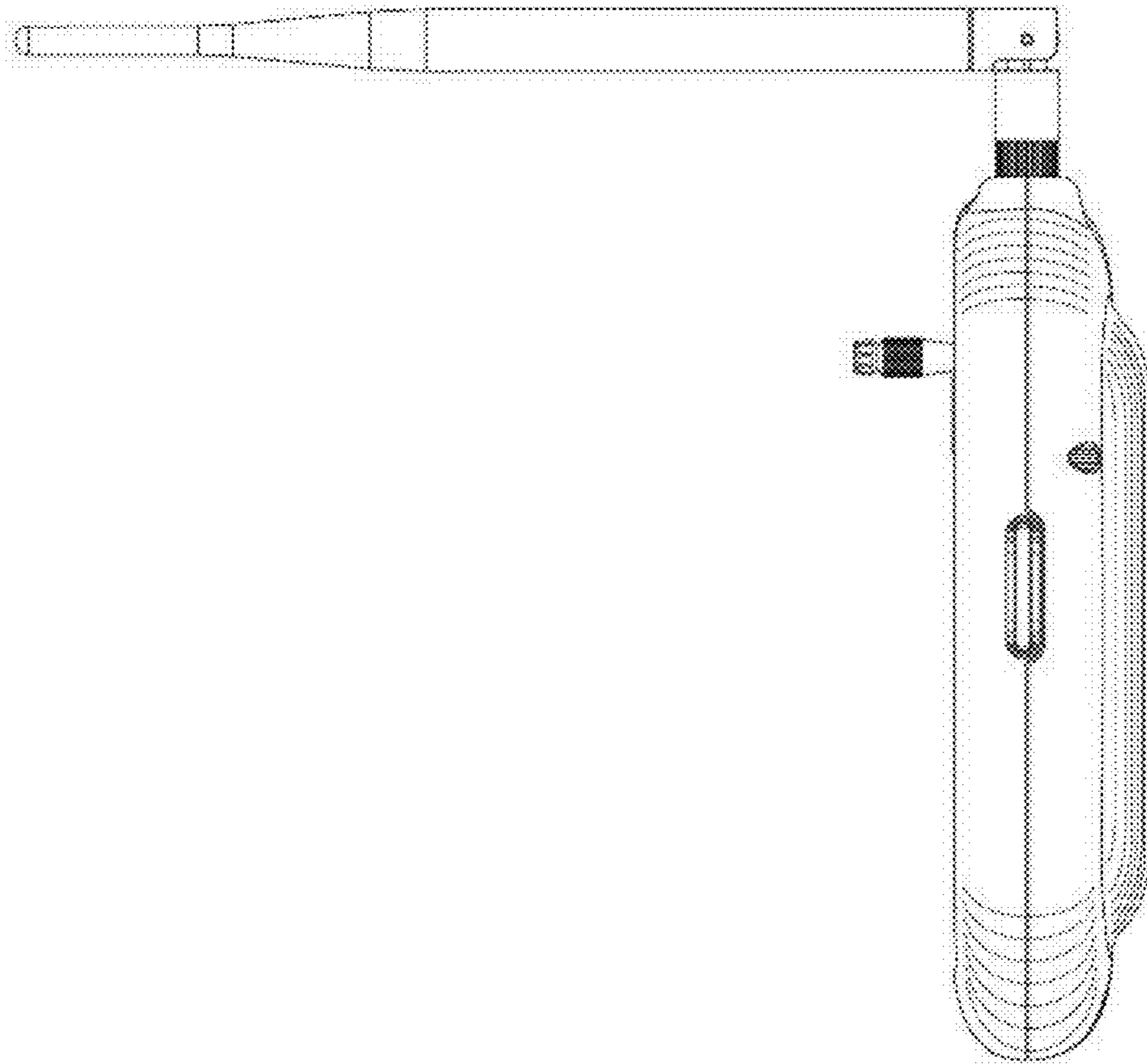


FIG. 6

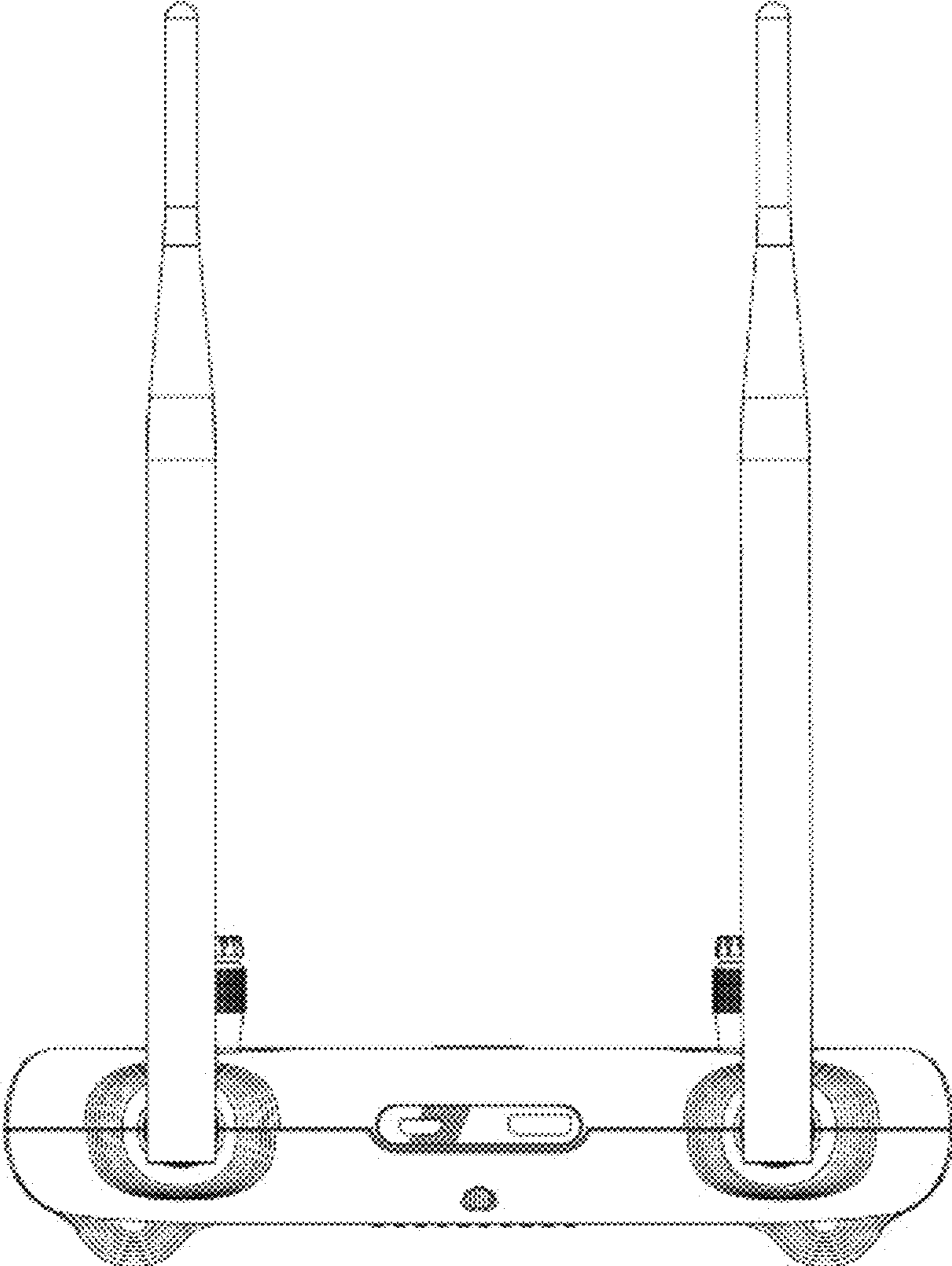


FIG. 7

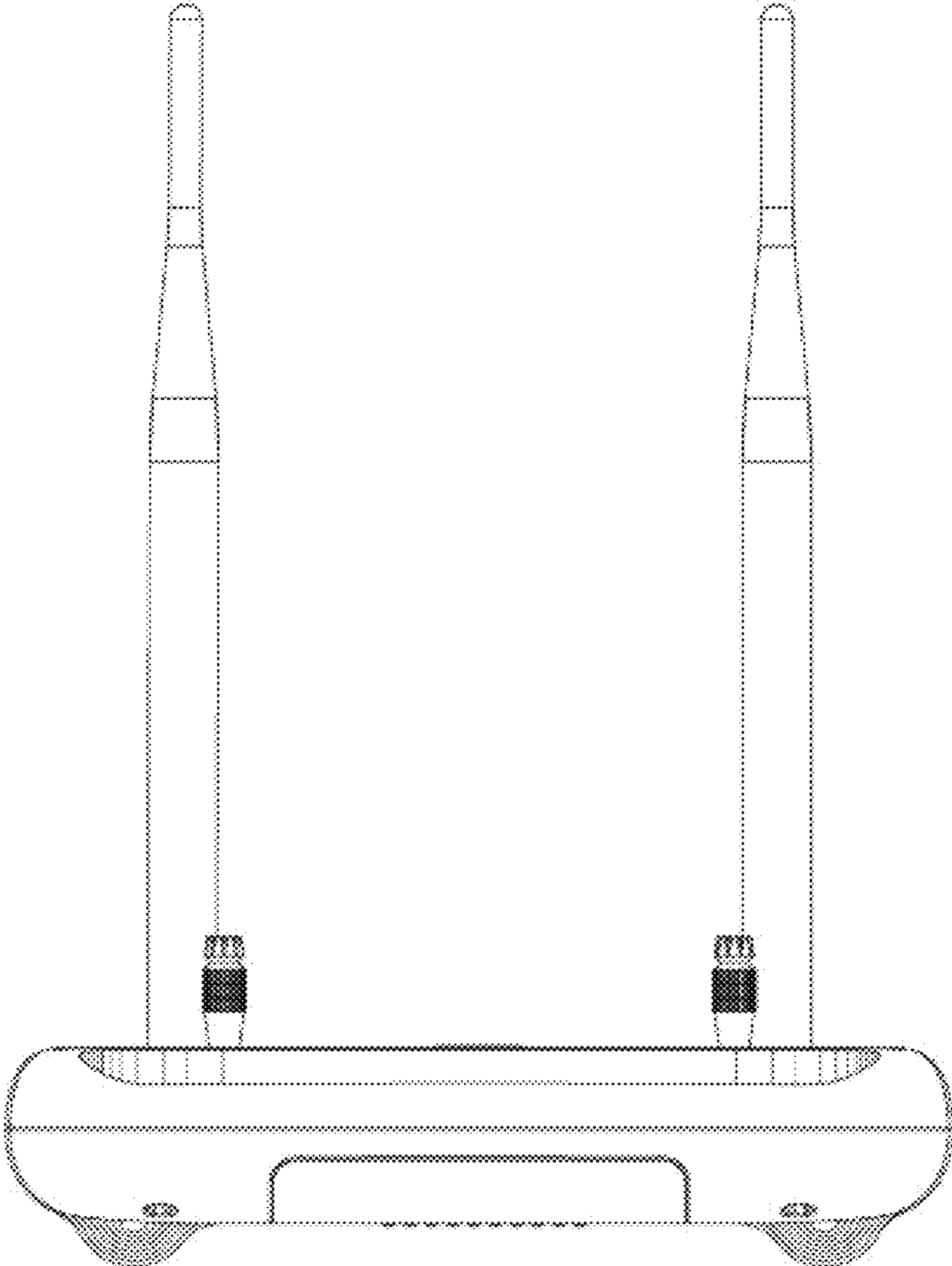


FIG. 8