



US00D749525S

(12) **United States Design Patent**
Johnson et al.

(10) **Patent No.:** **US D749,525 S**
(45) **Date of Patent:** **** Feb. 16, 2016**

- (54) **ARTICULATING CONTACT PIN**
- (71) Applicant: **Johnstech International Corporation**,
Minneapolis, MN (US)
- (72) Inventors: **David Johnson**, Wayzata, MN (US);
Sarosh Patel, Sunnyvale, CA (US);
John E. Nelson, Brooklyn Park, MN
(US)
- (73) Assignee: **Johnstech International Corporation**,
Minneapolis, MN (US)
- (**) Term: **14 Years**
- (21) Appl. No.: **29/524,335**
- (22) Filed: **Apr. 20, 2015**

Related U.S. Application Data

- (62) Division of application No. 29/480,754, filed on Jan.
29, 2014, now Pat. No. Des. 727,269.
- (51) **LOC (10) Cl.** **13-03**
- (52) **U.S. Cl.**
USPC **D13/154**
- (58) **Field of Classification Search**
USPC D13/133, 147, 154, 184, 199
See application file for complete search history.

References Cited

U.S. PATENT DOCUMENTS

5,634,801 A	6/1997	Johnson	
D393,862 S	4/1998	McInnes	
D568,247 S	5/2008	Ho et al.	
D569,236 S	5/2008	Young, IV	
D574,776 S	8/2008	Munch et al.	
D574,777 S	8/2008	Munch et al.	
D585,023 S	1/2009	Munch et al.	
D636,736 S	4/2011	Otasu et al.	
D696,203 S	12/2013	Kettern et al.	
D711,836 S	8/2014	Johnson et al.	
D719,923 S *	12/2014	Johnson	D13/154
D727,269 S *	4/2015	Johnson	D13/154
D731,983 S *	6/2015	Teranishi	D13/154

* cited by examiner

Primary Examiner — Daniel Bui
(74) *Attorney, Agent, or Firm* — Altera Law Group, LLC

(57) **CLAIM**

The ornamental design for an articulating contact pin, as shown and described.

DESCRIPTION

FIG. 1 is a front perspective view of the upper and lower portions of an articulating contact pin, in an assembled condition, showing our new design.

FIG. 2 is a rear perspective view thereof.

FIG. 3 is a side elevation view with the other side being a mirror image thereof.

FIG. 4 is a front elevation view thereof.

FIG. 5 is a rear elevation view thereof.

FIG. 6 is a top plan view thereof.

FIG. 7 is a bottom plan view thereof.

FIG. 8 is a front perspective view of upper pin portion thereof.

FIG. 9 is a rear perspective view of upper pin portion thereof.

FIG. 10 is a side elevation view with the other side being a mirror image thereof.

FIG. 11 is a front elevation view thereof.

FIG. 12 is a rear elevation view thereof.

FIG. 13 is a bottom plan view thereof.

FIG. 14 is a top plan view thereof.

FIG. 15 is a front perspective view of lower pin portion thereof.

FIG. 16 is a rear perspective view thereof.

FIG. 17 is a side elevation view with the other side being a mirror image thereof.

FIG. 18 is a rear elevation view thereof.

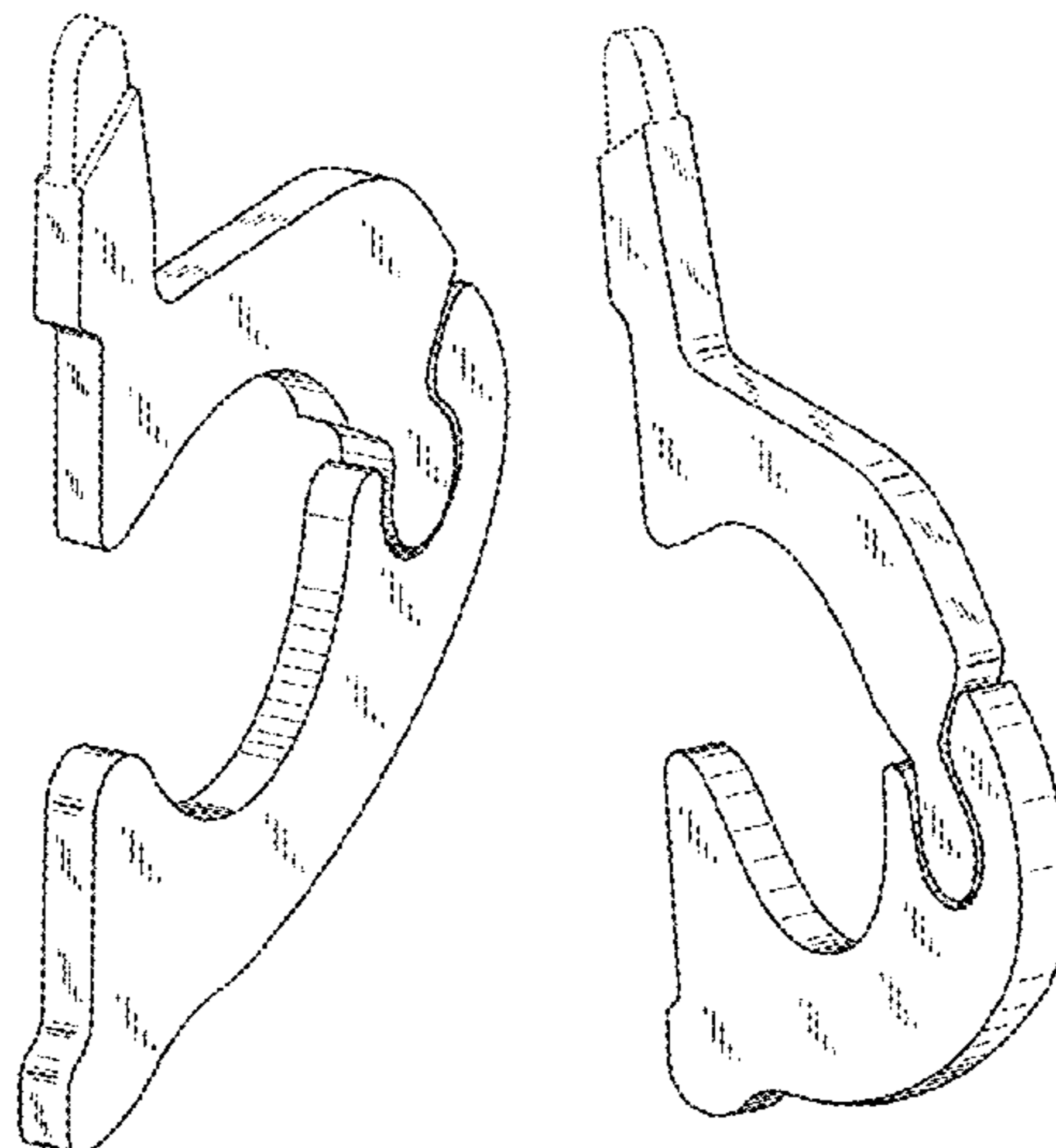
FIG. 19 is a front elevation view thereof.

FIG. 20 is a bottom plan view thereof; and,

FIG. 21 is a top plan view thereof.

The broken line in the figure drawings is included to show the unclaimed subject matter only and forms no part of the claimed design. The dash-dot line represents the boundary of the claimed design.

1 Claim, 21 Drawing Sheets



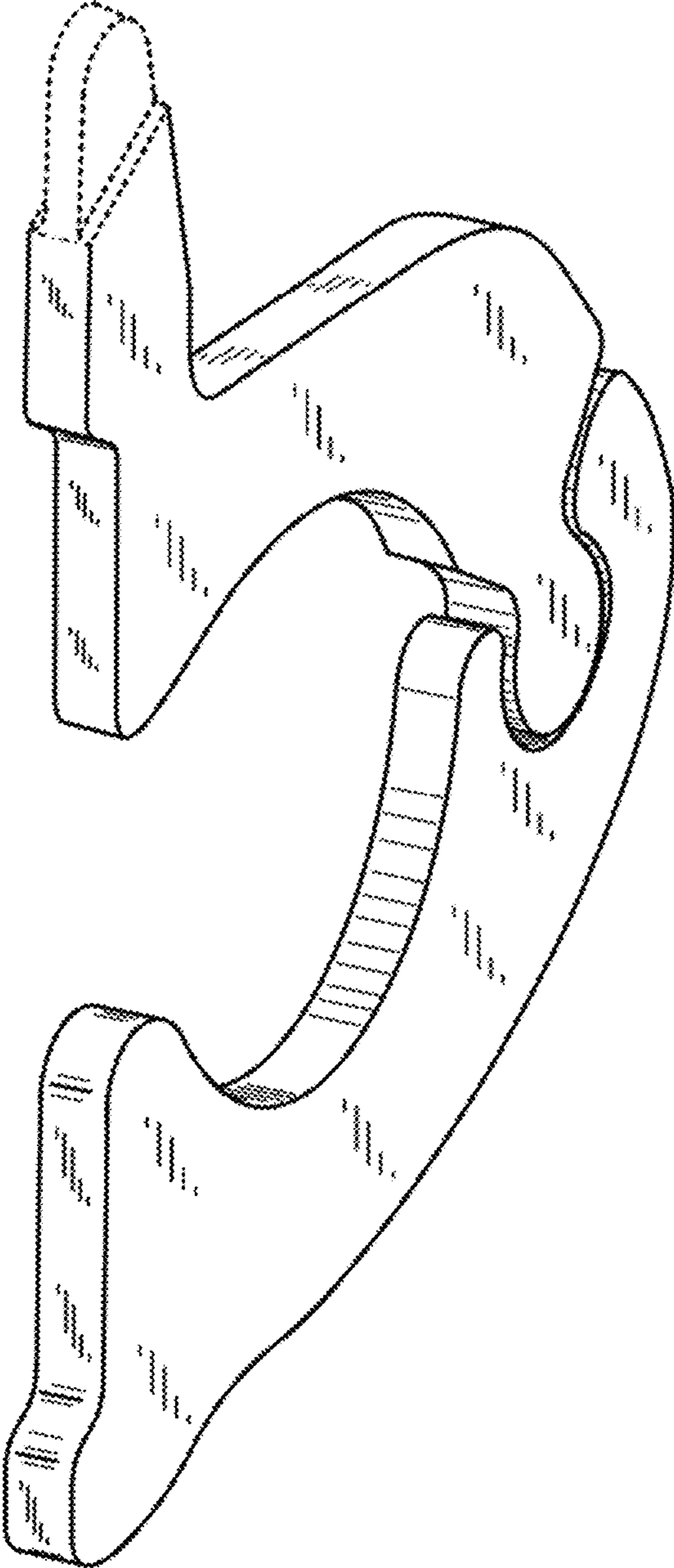


FIG. 1

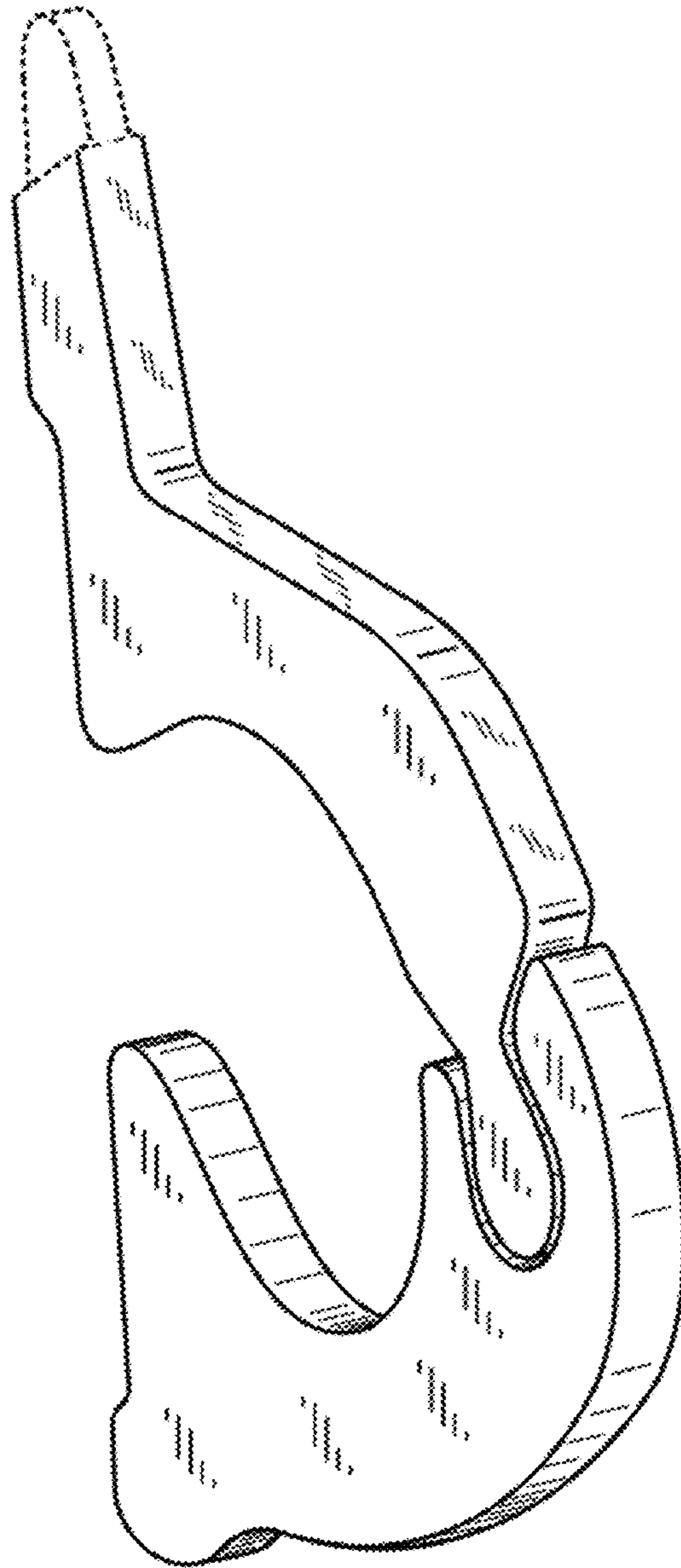


FIG. 2

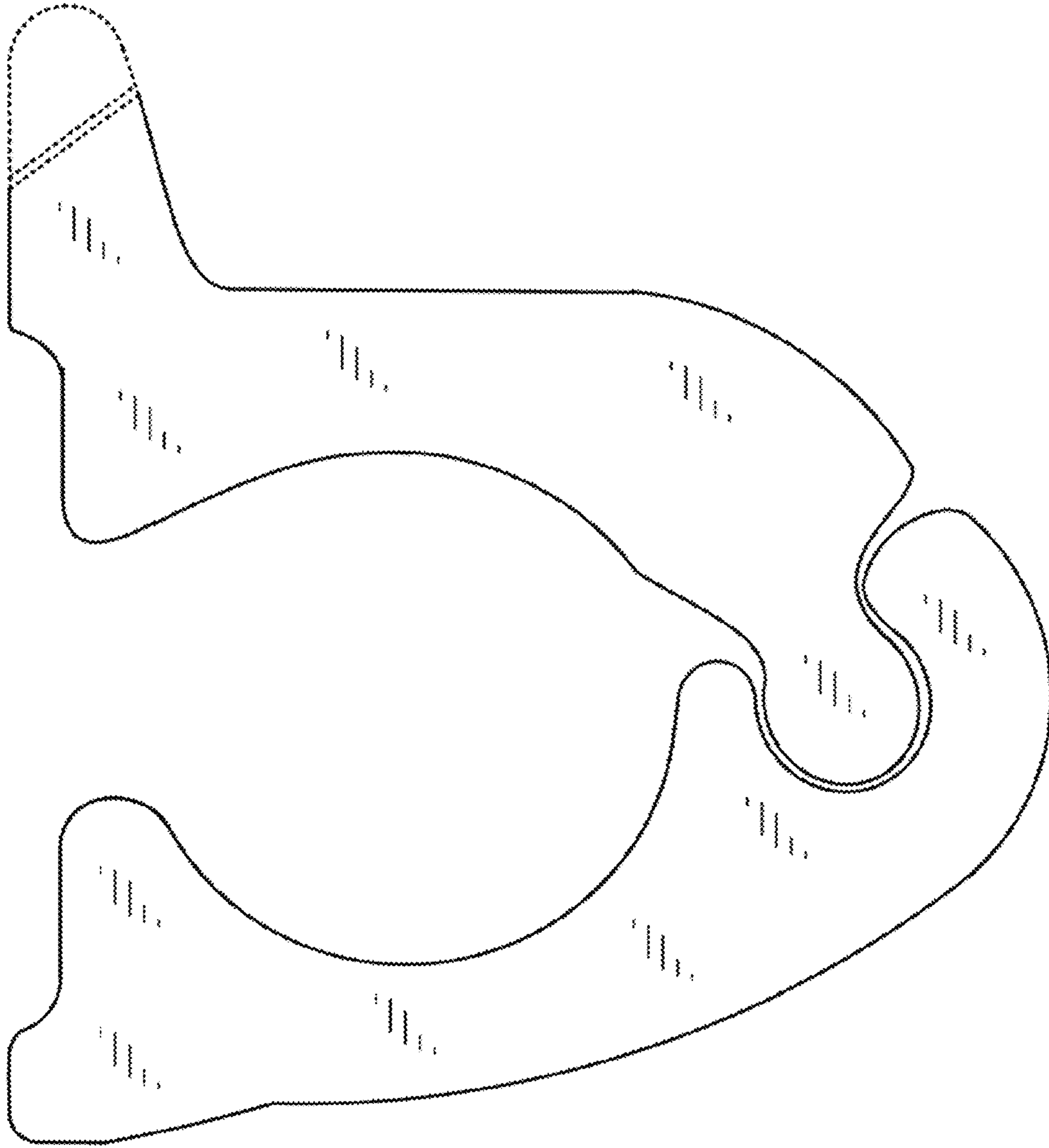


FIG. 3

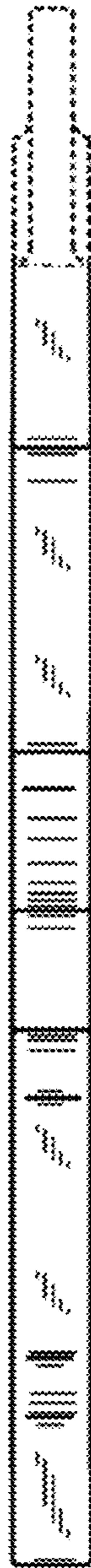


FIG. 4

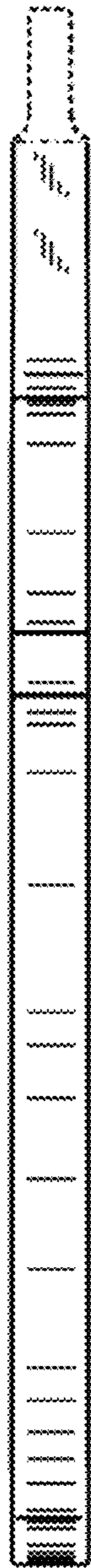


FIG. 5



FIG. 6



FIG. 7

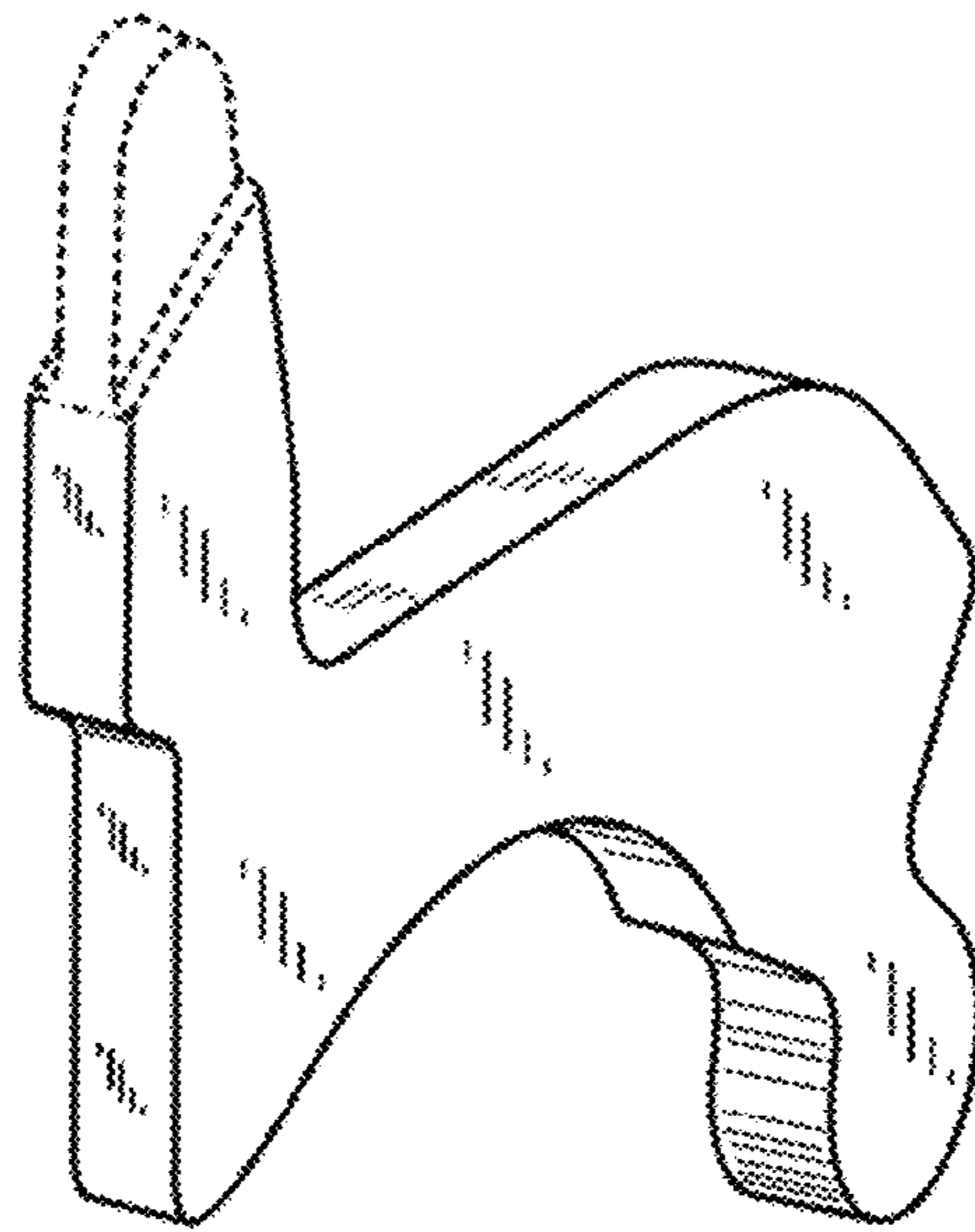


FIG. 8

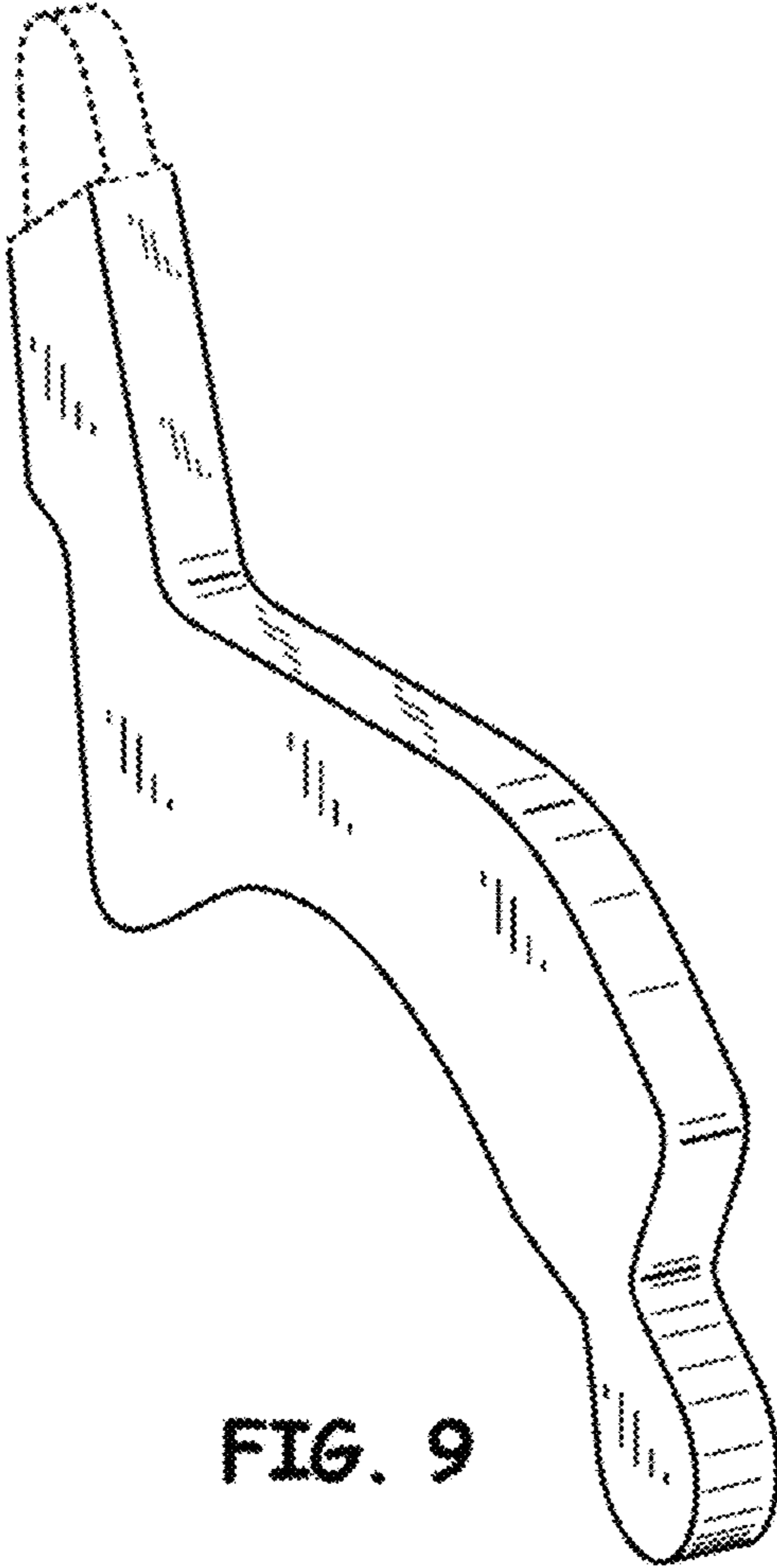


FIG. 9

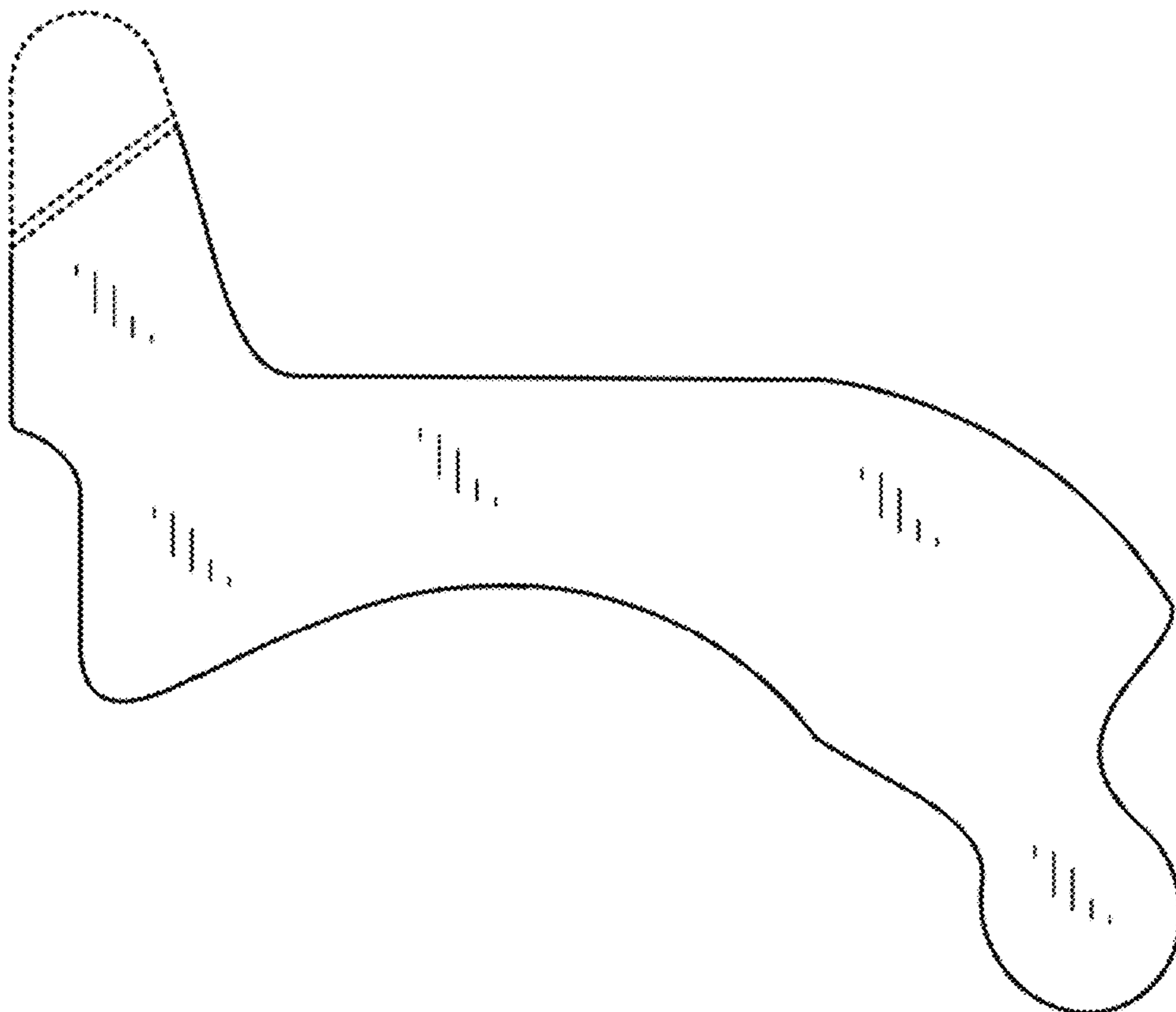


FIG. 10



FIG. 11

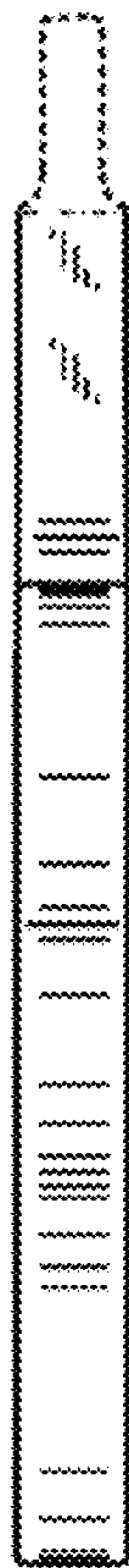


FIG. 12



FIG. 13



FIG. 14

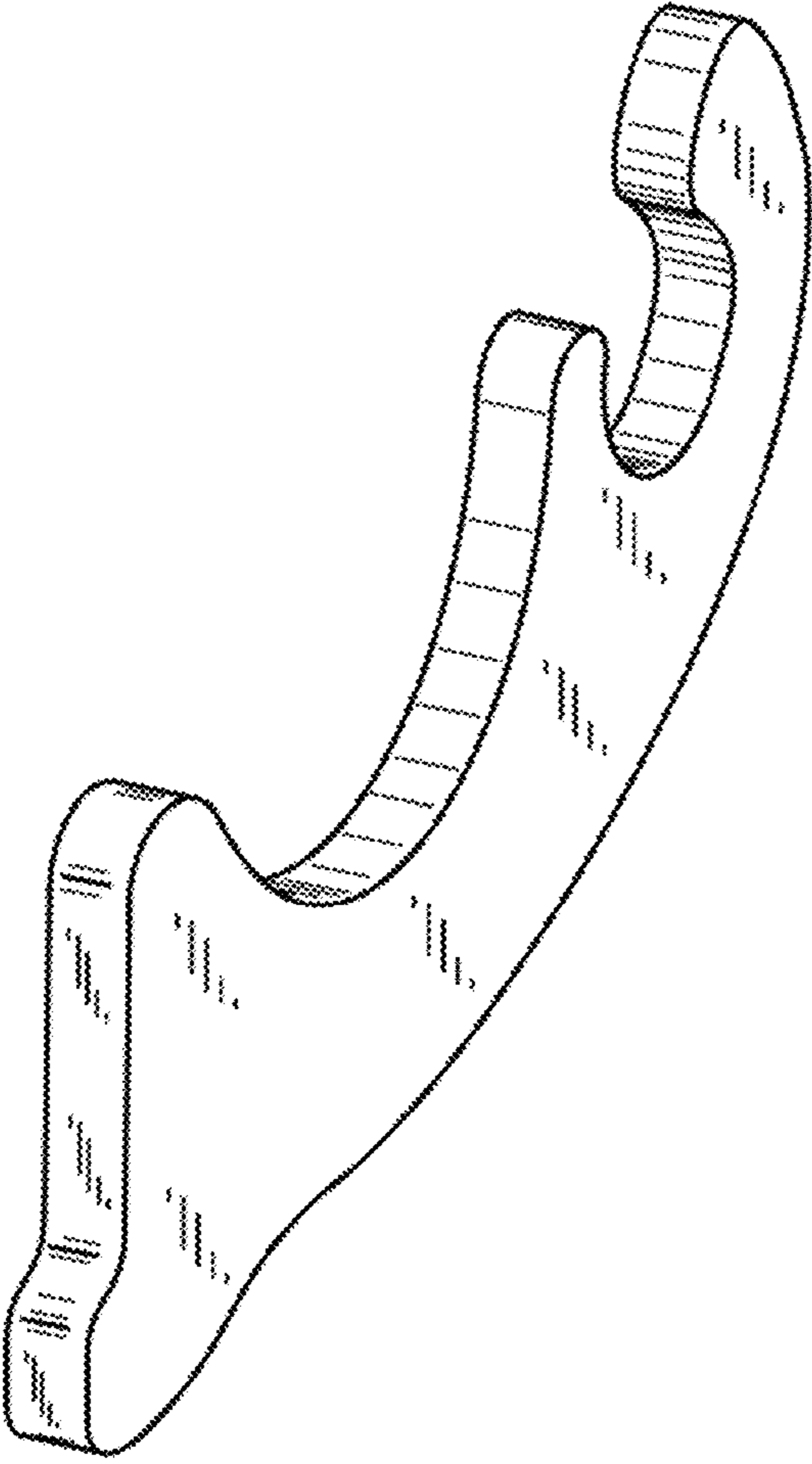


FIG. 15

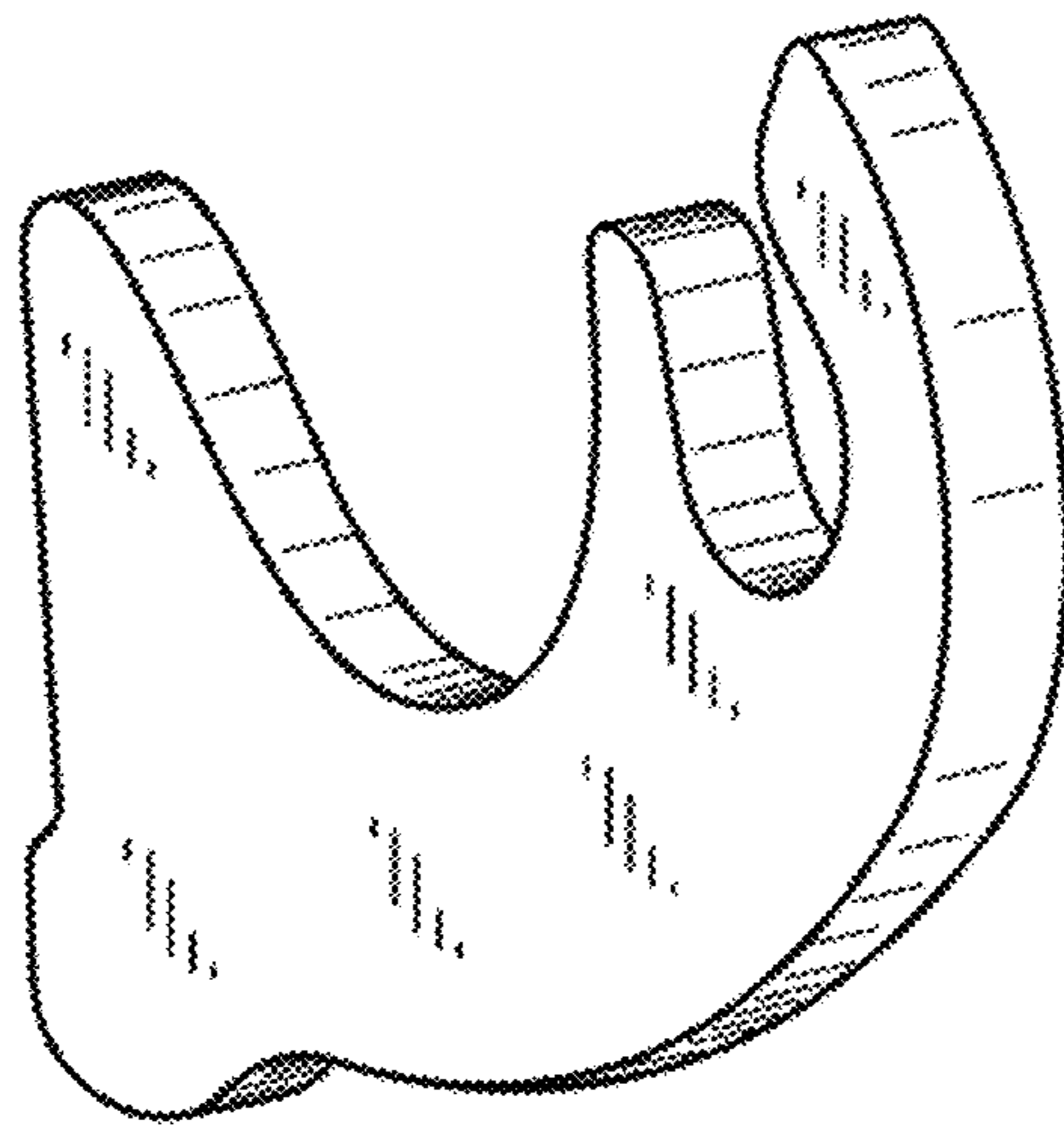


FIG. 16

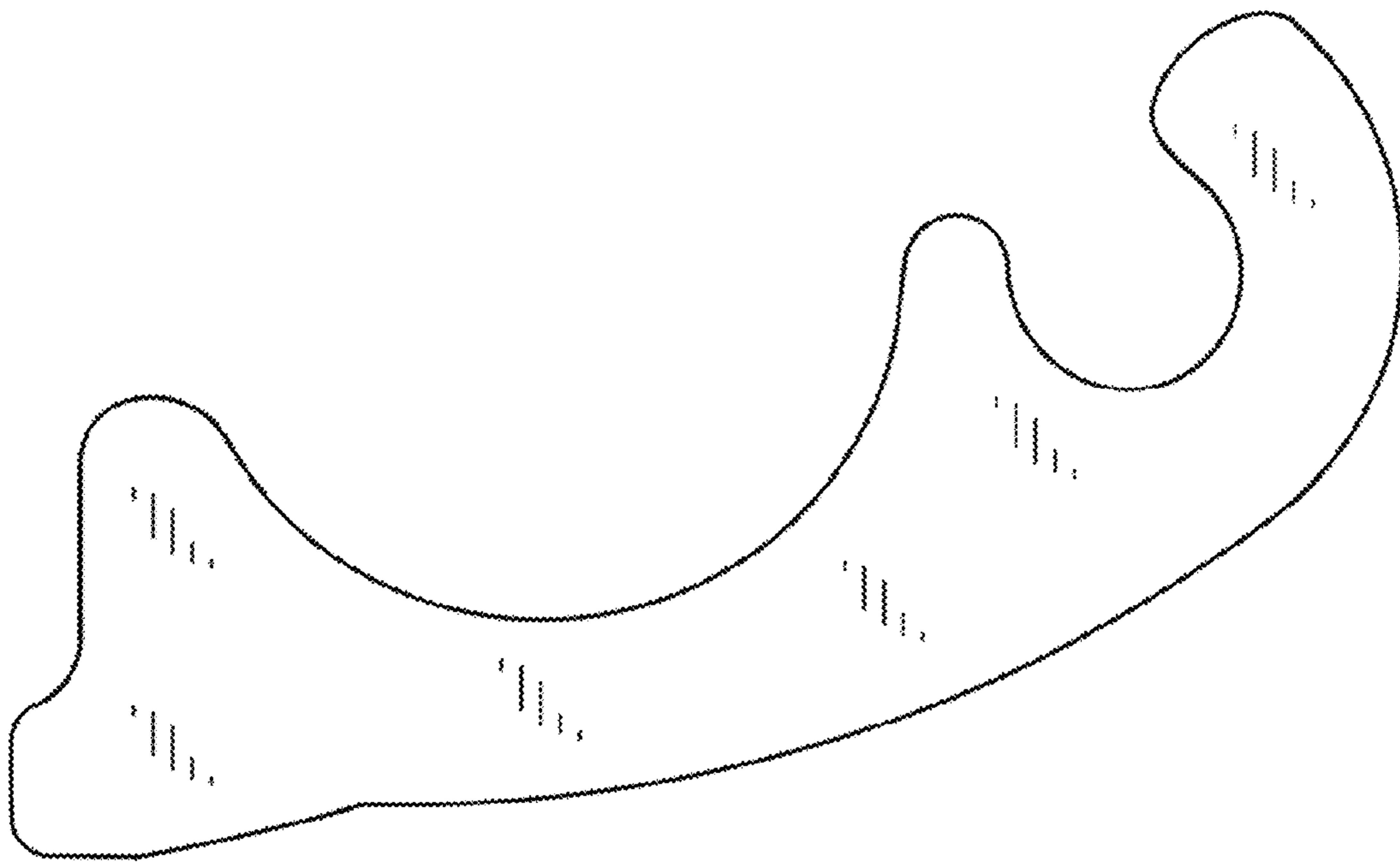


FIG. 17



FIG. 18



FIG. 19



FIG. 20



FIG. 21