



US00D749521S

(12) **United States Design Patent**
Badowski

(10) **Patent No.:** **US D749,521 S**
(45) **Date of Patent:** **** Feb. 16, 2016**

- (54) **OUTLET BOX**
- (71) Applicant: **Oatey Co.**, Cleveland, OH (US)
- (72) Inventor: **Clint David Badowski**, Spencer, OH (US)
- (73) Assignee: **OATEY CO.**, Cleveland, OH (US)
- (**) Term: **14 Years**
- (21) Appl. No.: **29/514,358**
- (22) Filed: **Jan. 12, 2015**

D553,093	S	*	10/2007	Miller	D13/152
D570,292	S	*	6/2008	Schulz	D13/152
7,432,440	B2	*	10/2008	Hull	H02G 3/126 174/50
7,614,419	B2	*	11/2009	Minnick	B05C 5/0216 137/271
D640,204	S	*	6/2011	Albag	D13/152
D679,252	S	*	4/2013	Wagner	D13/152
8,701,911	B2	*	4/2014	Youssef	H02G 3/121 174/481
D708,146	S	*	7/2014	Soni	D13/155

* cited by examiner

Primary Examiner — Holly Baynham

Assistant Examiner — Rhea Shields

(74) *Attorney, Agent, or Firm* — Baker & Hostetler LLP

Related U.S. Application Data

- (63) Continuation of application No. 29/473,509, filed on Nov. 22, 2013, now Pat. No. Des. 721,041.
- (51) **LOC (10) Cl.** **13-03**
- (52) **U.S. Cl.**
USPC **D13/152**
- (58) **Field of Classification Search**
USPC D13/152, 151, 147, 158, 153, 155, 156,
D13/137.1, 137.4, 139.3, 139.2, 133, 184;
220/3.2, 3.3, 3.4-3.9, 3.92, 3.94, 4.02;
174/58, 50.56, 51; 439/675, 668, 623
See application file for complete search history.

(57) **CLAIM**

I claim the ornamental design for an outlet box, as shown and described.

DESCRIPTION

FIG. 1 is a front/right/top perspective view of the outlet box;
 FIG. 2 is a back/left/bottom perspective view thereof;
 FIG. 3 is a front elevational view thereof;
 FIG. 4 is a rear elevational view thereof;
 FIG. 5 is a left side elevational view thereof;
 FIG. 6 is a right side elevational view thereof;
 FIG. 7 is a top plan view thereof; and,
 FIG. 8 is a bottom plan view thereof.

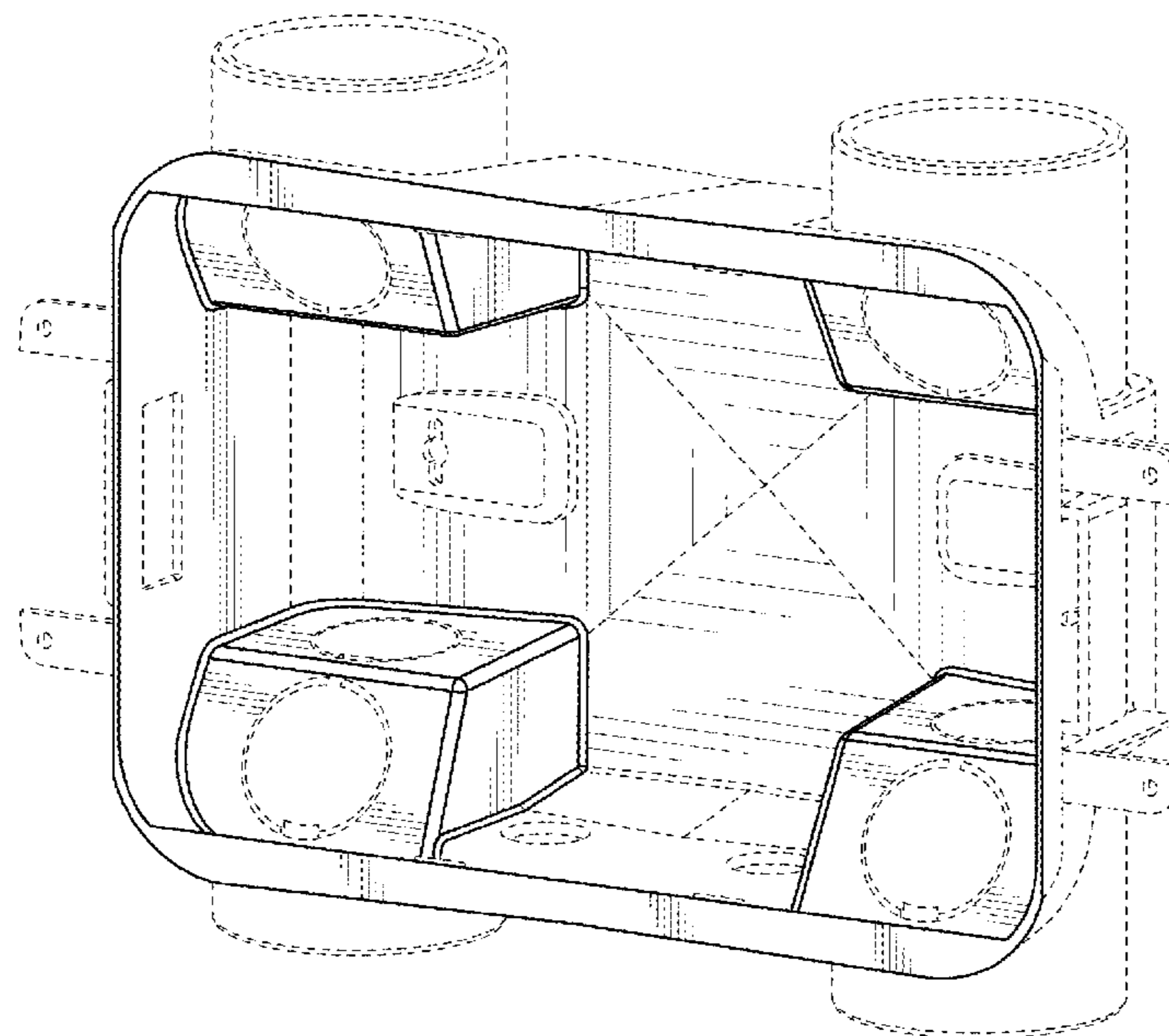
The dash-dot lines and broken lines immediately adjacent the shaded areas represent the bounds of the claimed design, while all other broken lines are directed to environment; the dash-dot lines and broken lines form no part of the claimed design.

(56) **References Cited**

U.S. PATENT DOCUMENTS

D410,630	S	*	6/1999	Kodaira	D13/147
D461,779	S	*	8/2002	Hughes	D13/152
D499,069	S	*	11/2004	Stanush	D13/152
D507,539	S	*	7/2005	Hull	D13/152
D545,765	S	*	7/2007	Cockburn	D13/147
D549,663	S	*	8/2007	Tsou	D13/147

1 Claim, 3 Drawing Sheets



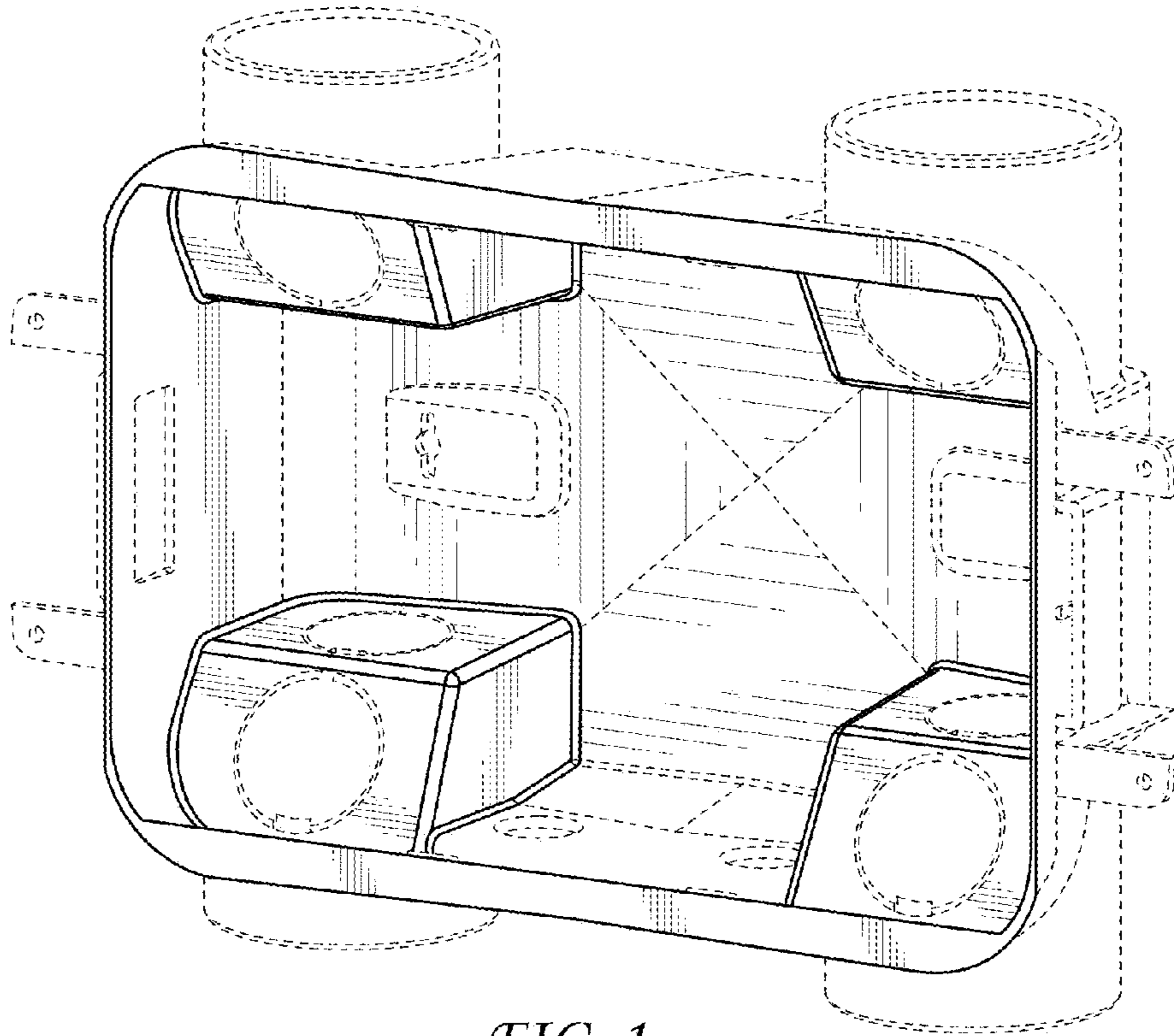


FIG. 1

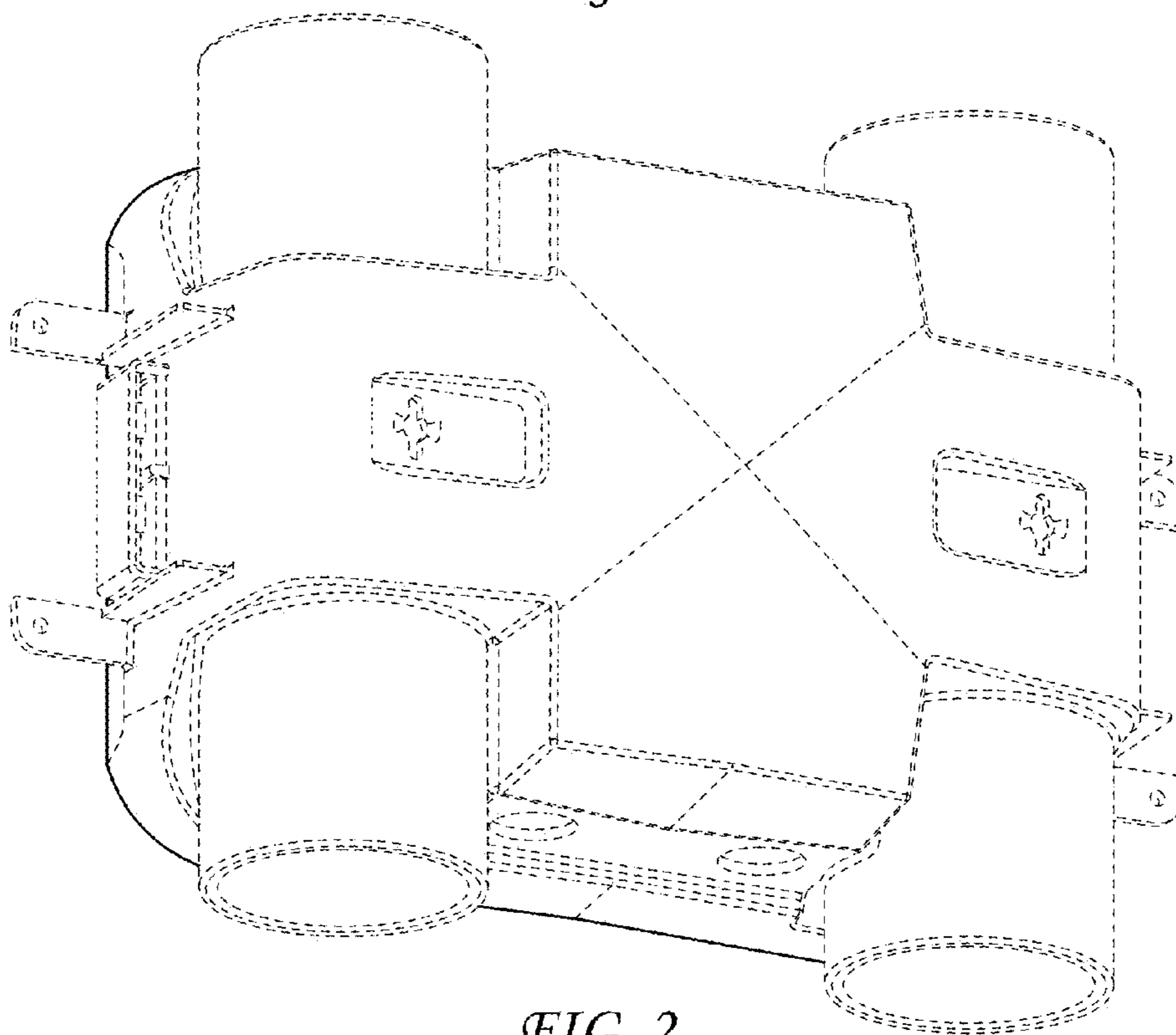


FIG. 2

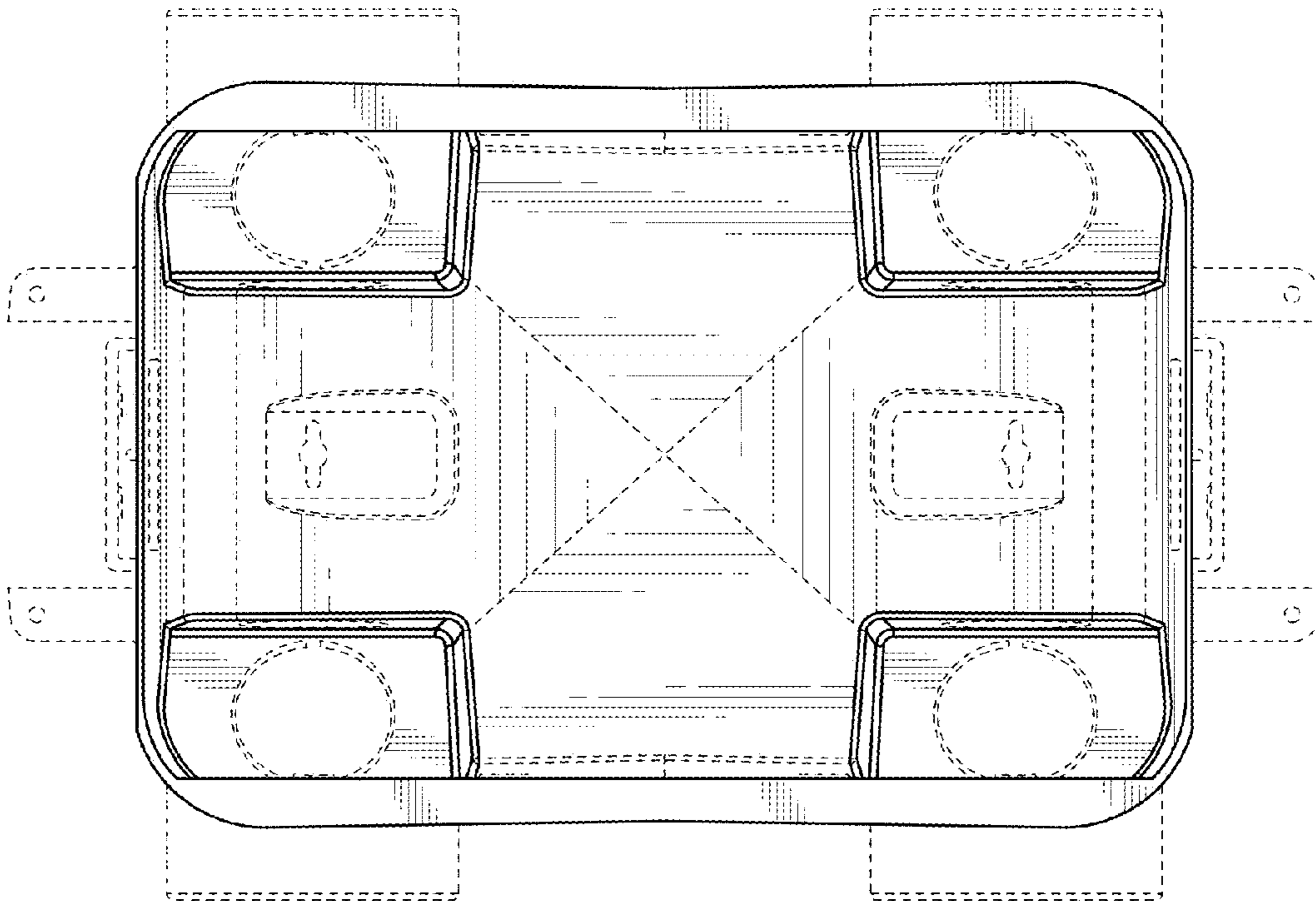


FIG. 3

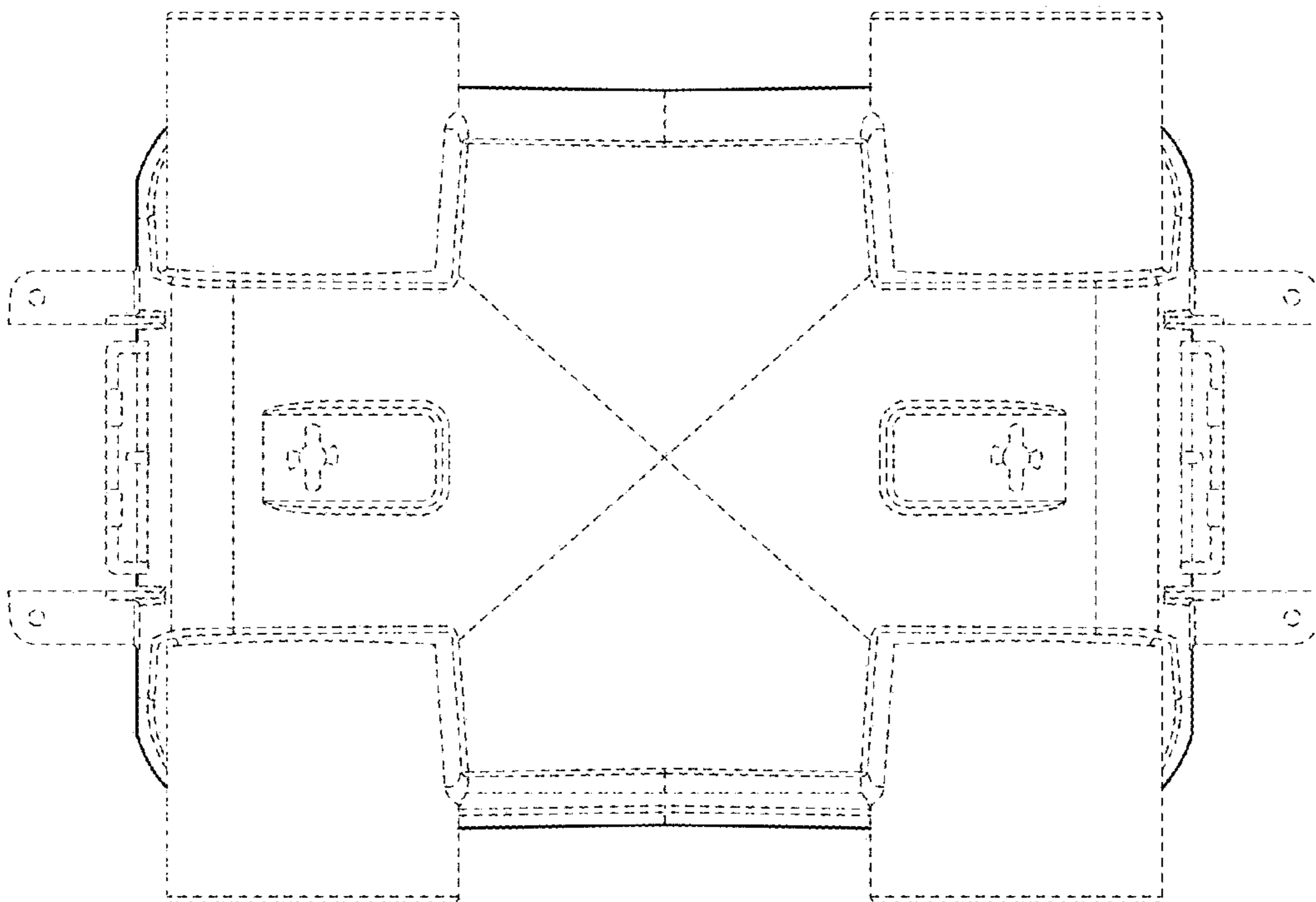


FIG. 4

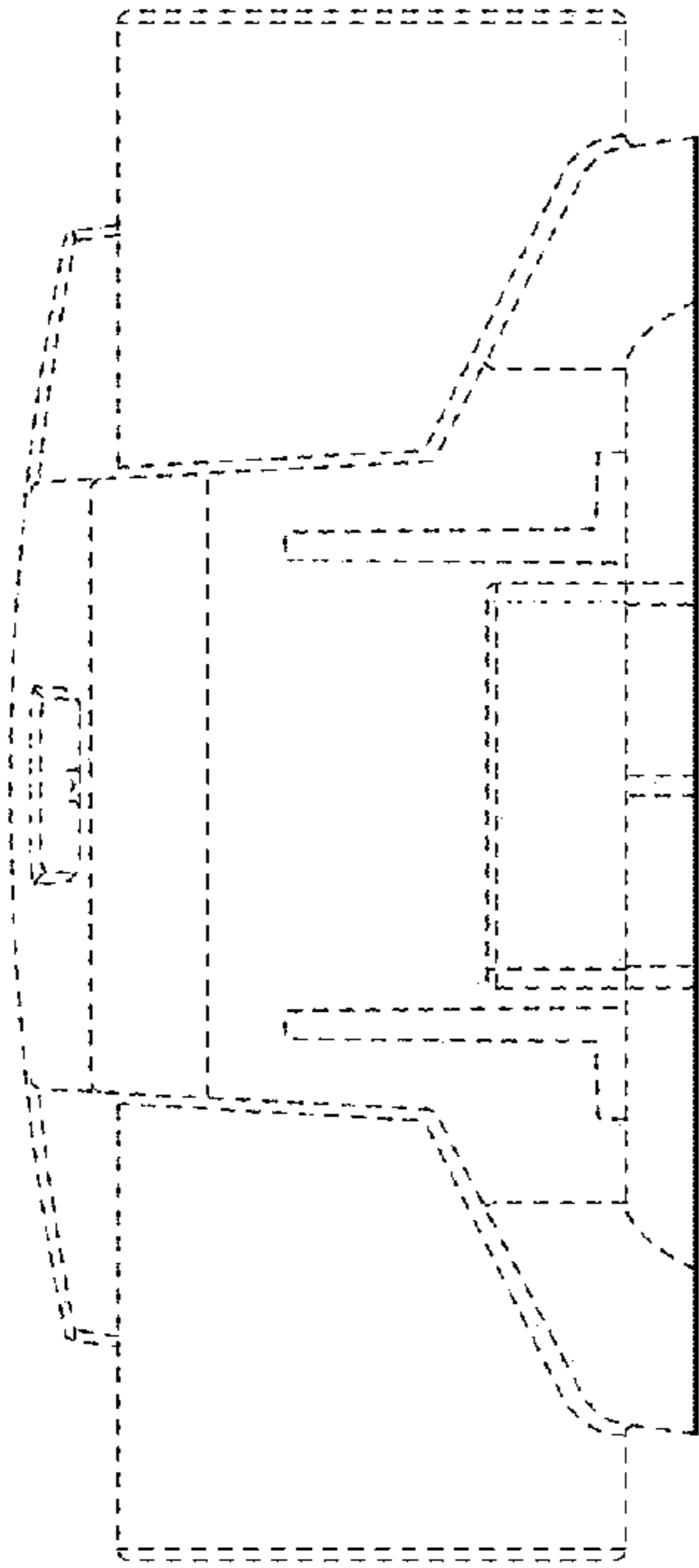


FIG. 5

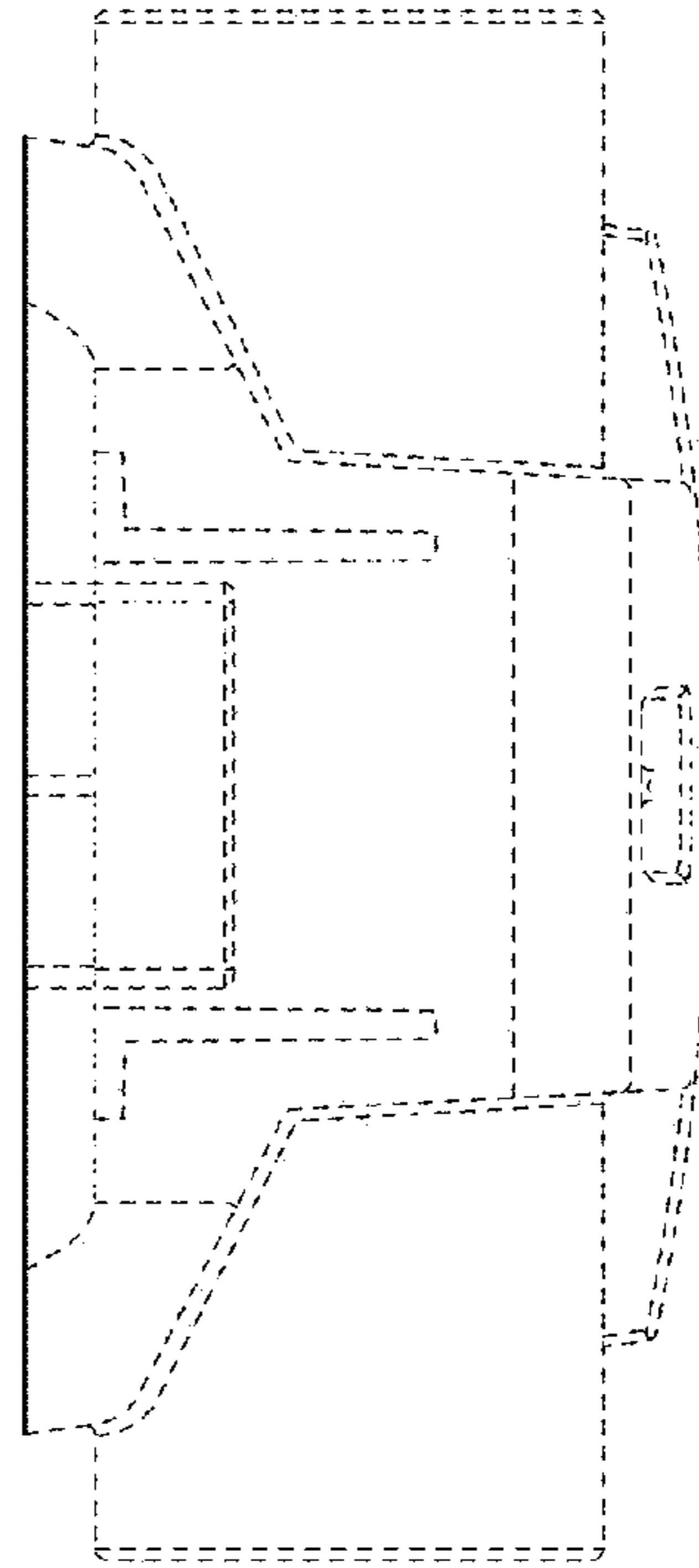


FIG. 6

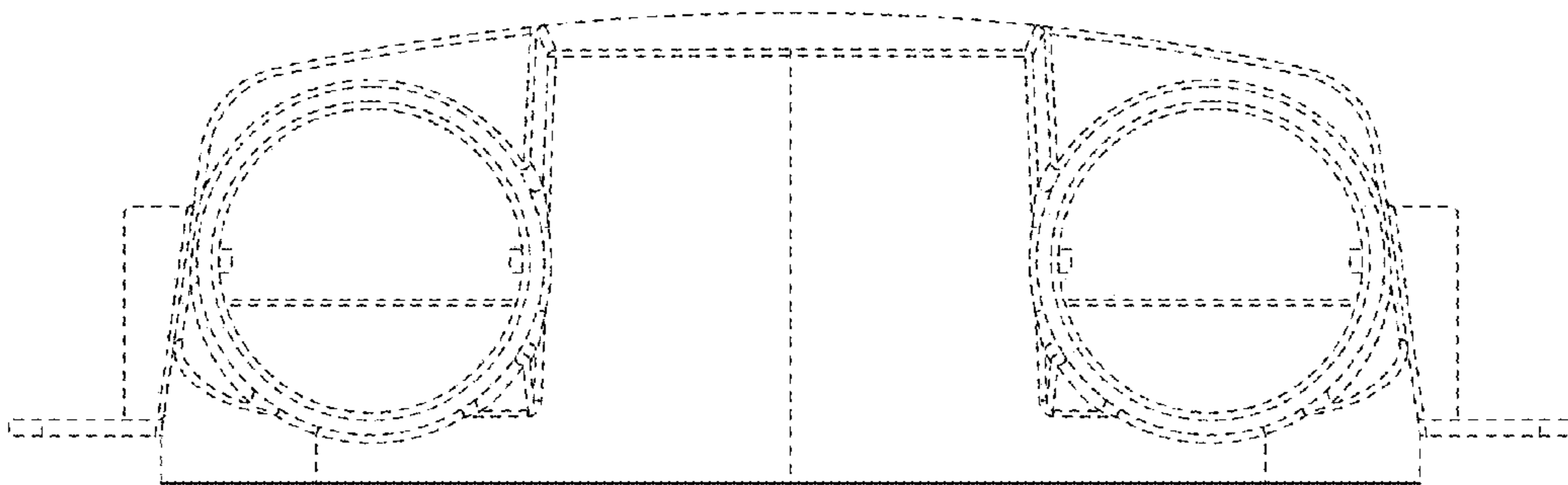


FIG. 7

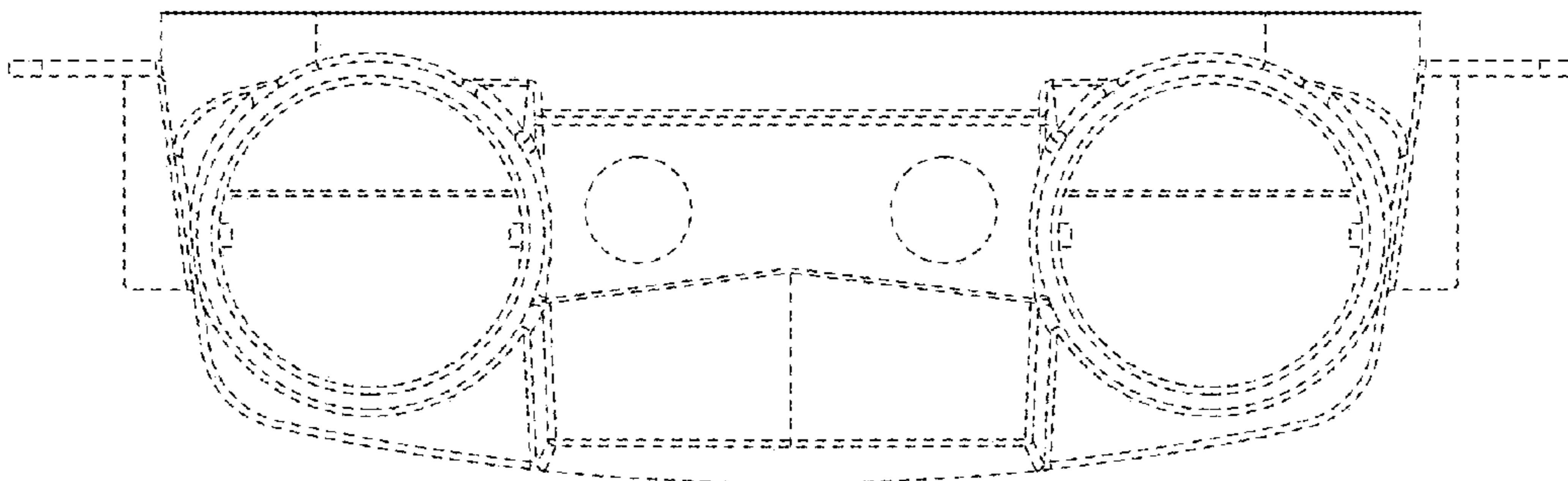


FIG. 8