



US00D749518S

(12) **United States Design Patent**
Takeda

(10) **Patent No.:** **US D749,518 S**

(45) **Date of Patent:** **** Feb. 16, 2016**

(54) **ELECTRIC CONNECTOR**

(71) Applicant: **SMK Corporation**, Tokyo (JP)

(72) Inventor: **Toshimitsu Takeda**, Toyama (JP)

(73) Assignee: **SMK CORPORATION**, Tokyo (JP)

(**) Term: **15 Years**

(21) Appl. No.: **29/532,731**

(22) Filed: **Jul. 9, 2015**

Related U.S. Application Data

(62) Division of application No. 29/481,173, filed on Feb. 3, 2014.

Foreign Application Priority Data

Aug. 6, 2013 (JP) 2013-019233

Aug. 6, 2013 (JP) 2013-019234

(51) **LOC (10) Cl.** **13-03**

(52) **U.S. Cl.**
USPC **D13/146**

(58) **Field of Classification Search**
USPC D13/146, 147, 154, 184, 199
See application file for complete search history.

(56) **References Cited**

U.S. PATENT DOCUMENTS

D221,081 S	7/1971	Kahn	
D260,877 S	9/1981	Scott et al.	
D535,619 S *	1/2007	Nagata	D13/133
D576,550 S *	9/2008	Chen	D13/133
D688,636 S	8/2013	Oishi et al.	
D714,218 S	9/2014	Hannes	
2012/0156920 A1	6/2012	Sakai et al.	
2014/0179139 A1	6/2014	Tanaka et al.	

* cited by examiner

Primary Examiner — Daniel Bui

(74) *Attorney, Agent, or Firm* — Sughrue Mion, PLLC

(57) **CLAIM**

The ornamental design for an electric connector, as shown and described.

DESCRIPTION

FIG. 1 is a perspective view of the front, bottom and right side of an electric connector according to my new design;
FIG. 2 is a perspective view of the rear, bottom and right side thereof;
FIG. 3 is a front elevation view thereof;
FIG. 4 is a rear elevation view thereof;
FIG. 5 is a left side elevation view thereof;
FIG. 6 is a right side elevation view thereof;
FIG. 7 is a top plan view thereof; and,
FIG. 8 is a bottom plan view thereof.

1 Claim, 6 Drawing Sheets

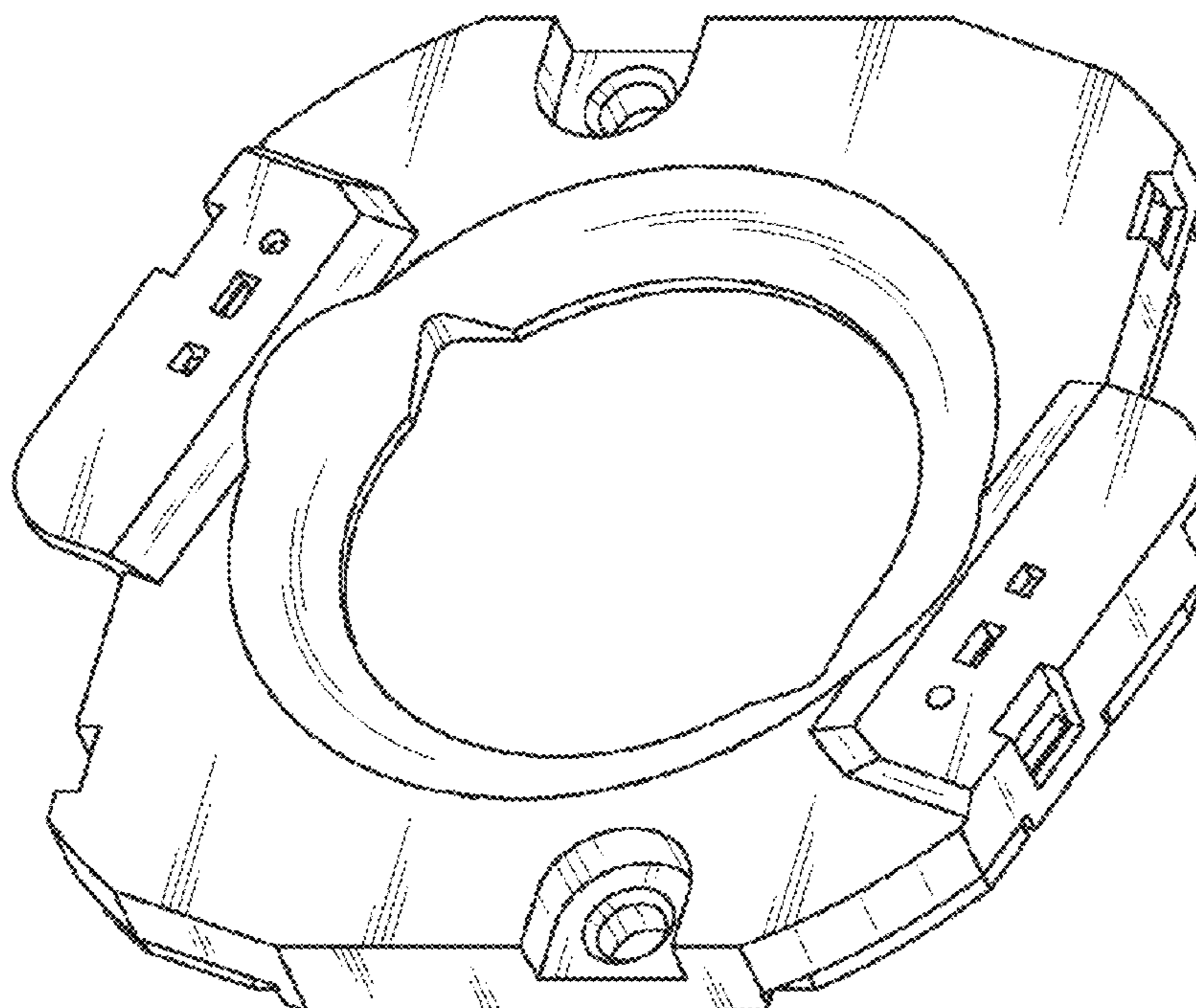


FIG. 1

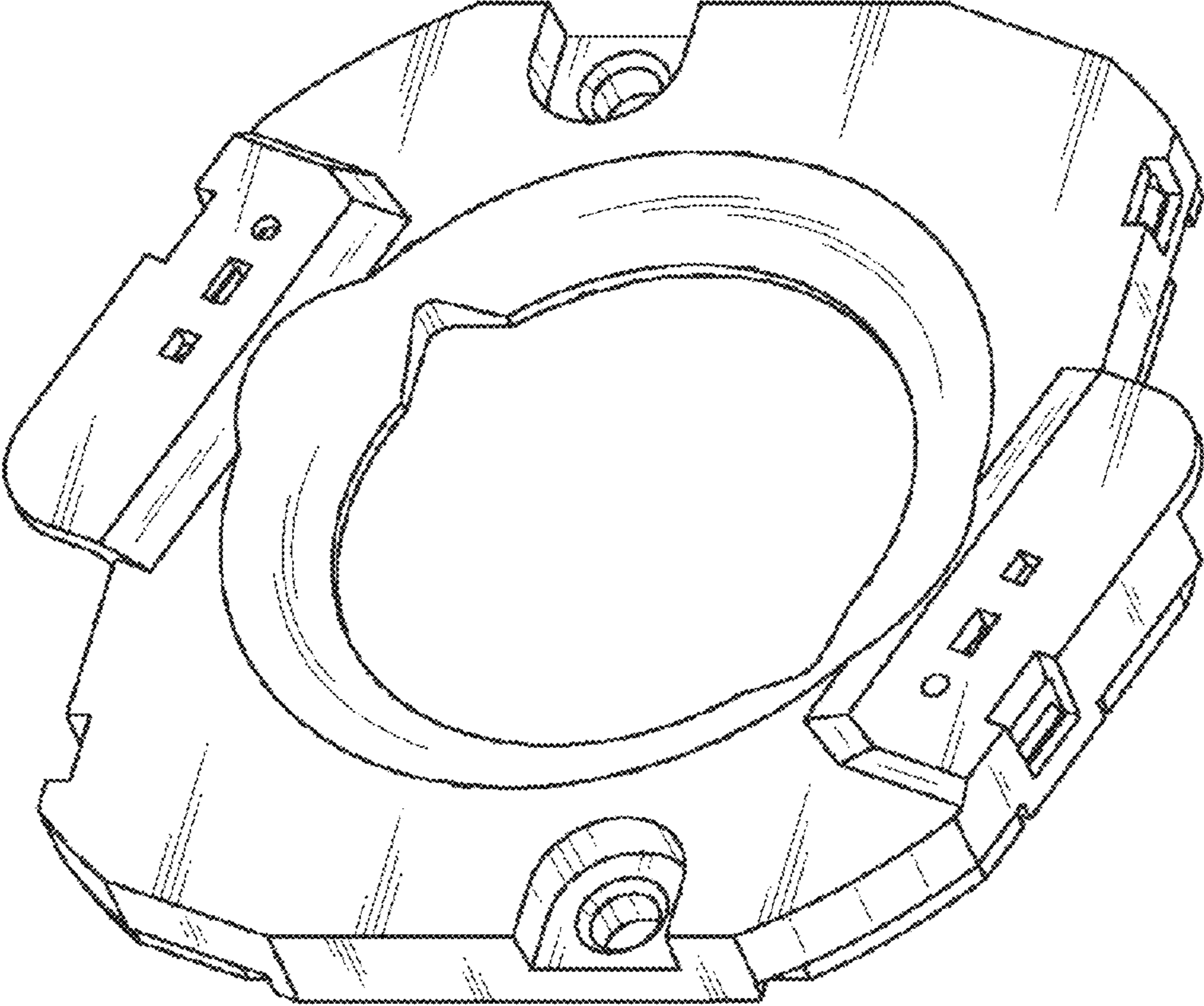


FIG. 2

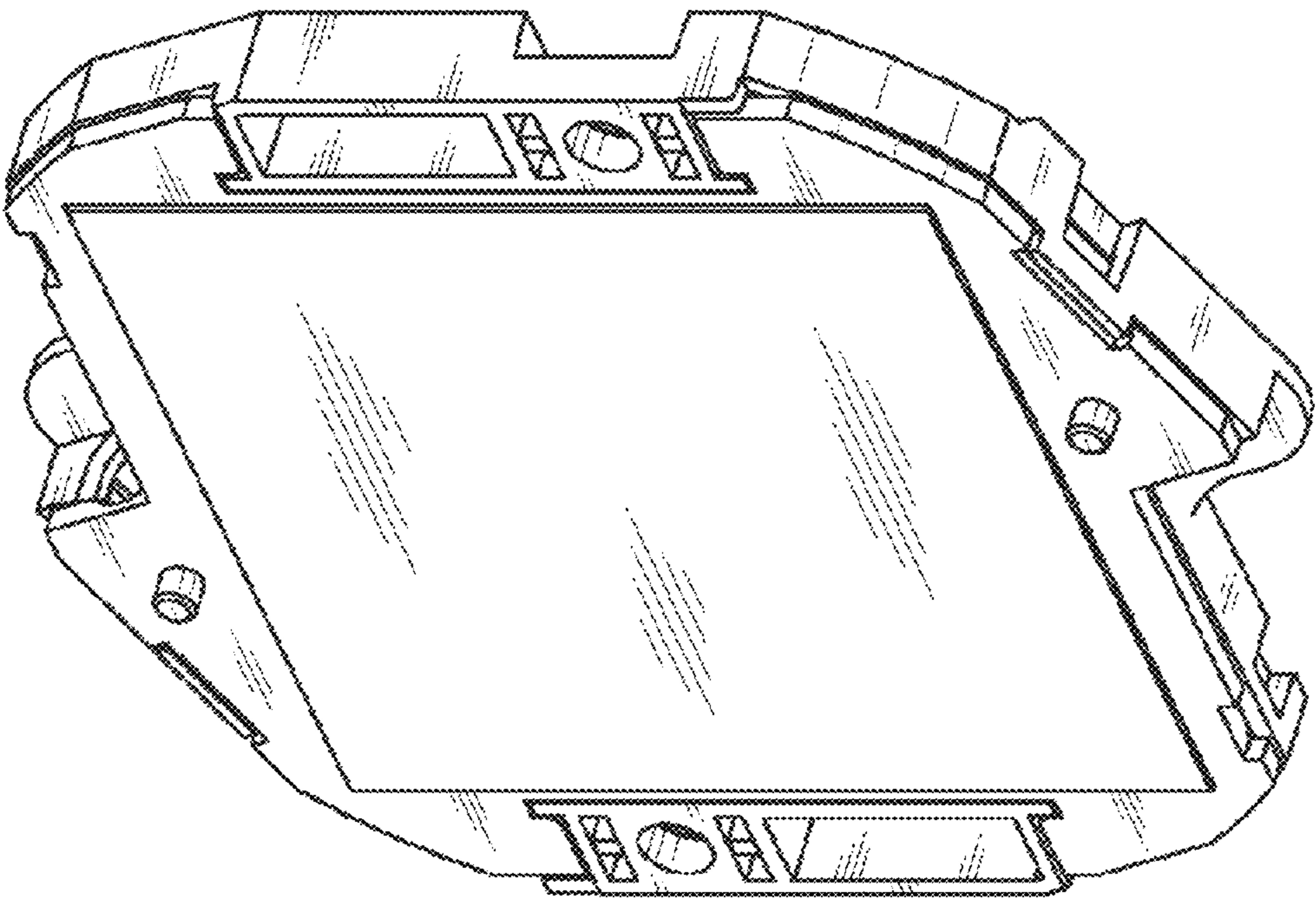


FIG. 3

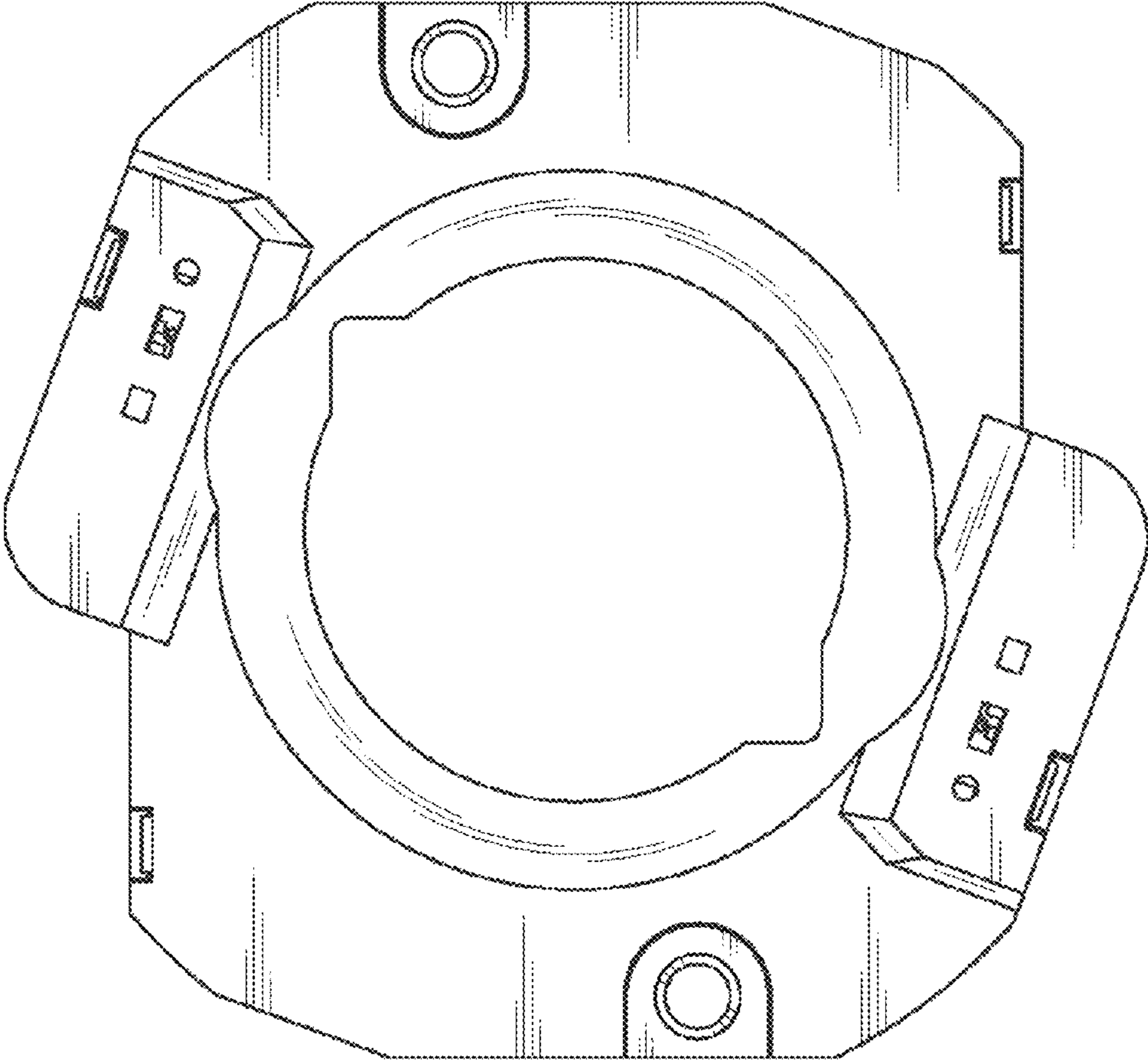


FIG. 4

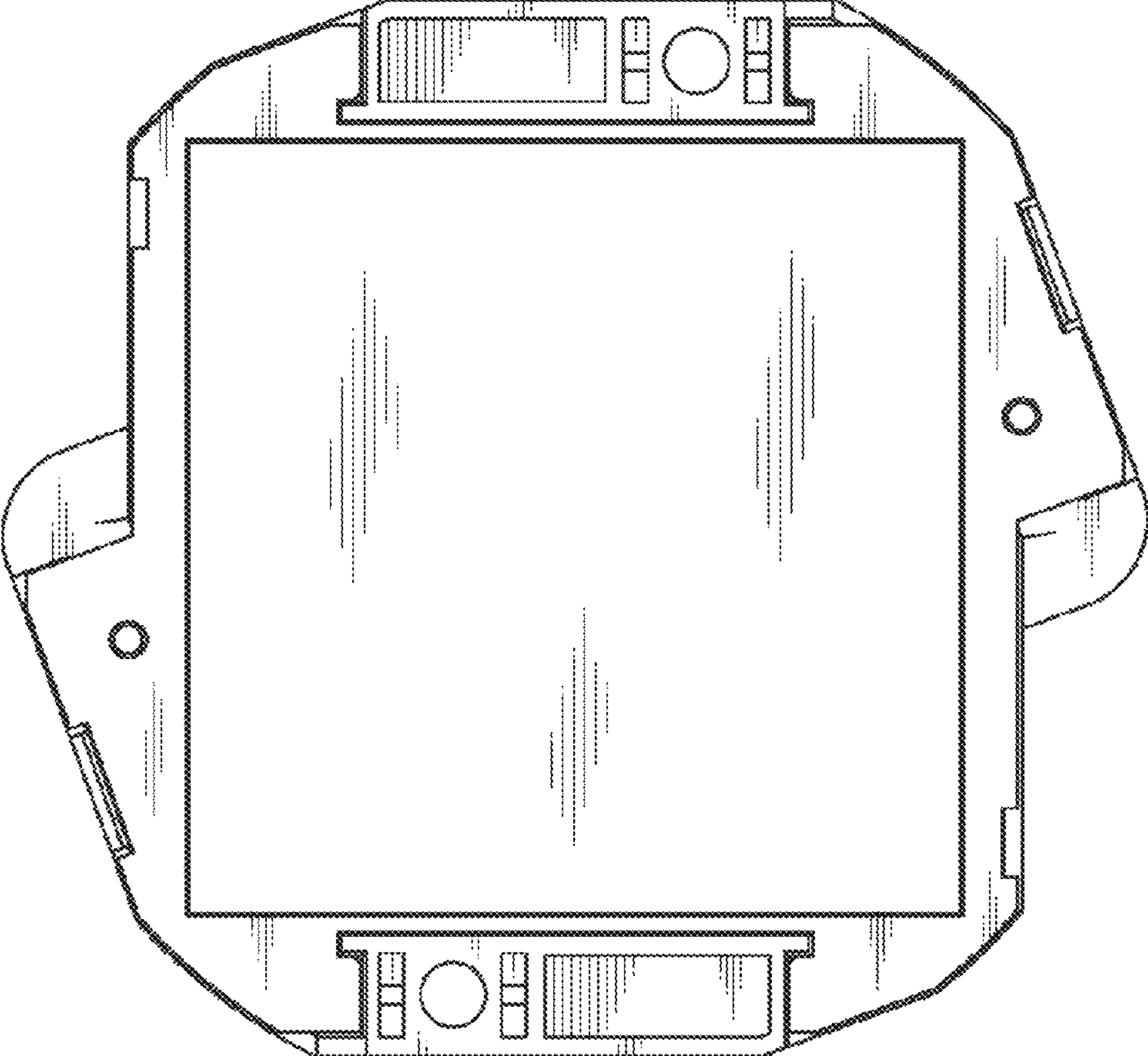


FIG. 5

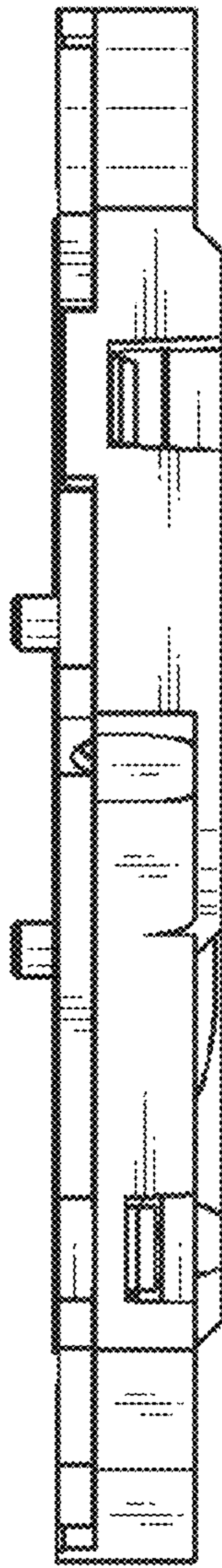


FIG. 6

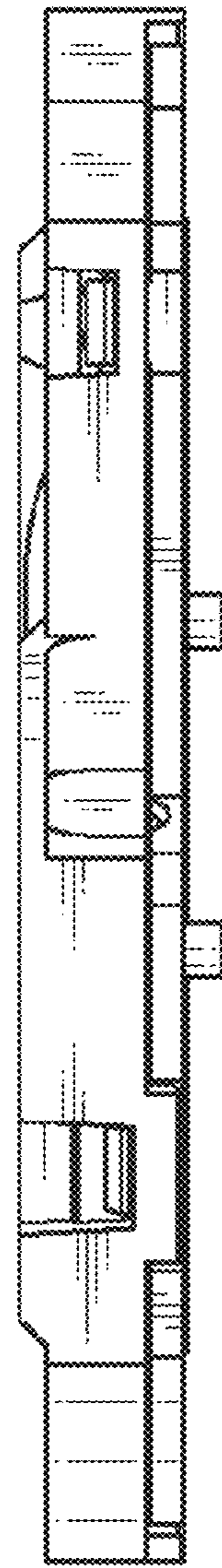


FIG. 7

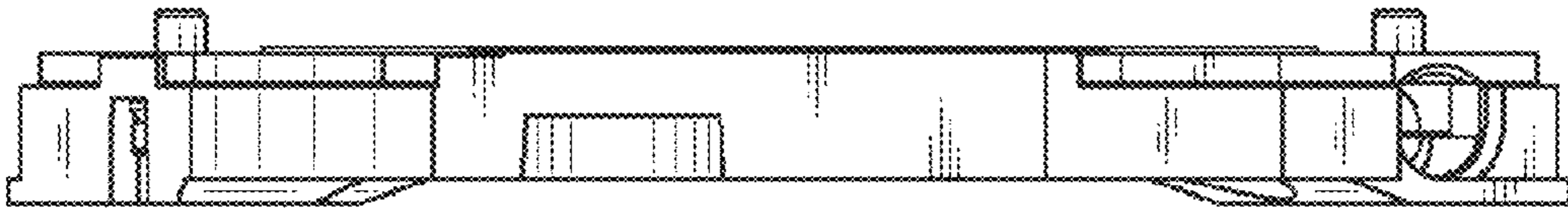


FIG. 8

