



US00D749517S

(12) **United States Design Patent**
Schuckmann et al.

(10) **Patent No.:** **US D749,517 S**

(45) **Date of Patent:** **** Feb. 16, 2016**

(54) **HERMETIC TERMINAL**

(71) Applicant: **Emerson Electric Co.**, St. Louis, MO (US)

(72) Inventors: **Scott Schuckmann**, Mainville, OH (US); **Prasad S. Khadkikar**, West Chester, OH (US)

(73) Assignee: **Emerson Electric Co.**, St. Louis, MO (US)

(**) Term: **14 Years**

(21) Appl. No.: **29/509,348**

(22) Filed: **Nov. 17, 2014**

Related U.S. Application Data

(62) Division of application No. 29/429,570, filed on Aug. 14, 2012, now Pat. No. Des. 720,301.

(51) **LOC (10) Cl.** **13-03**

(52) **U.S. Cl.**
USPC **D13/146**

(58) **Field of Classification Search**
USPC D13/133, 146, 147, 154, 184, 199
See application file for complete search history.

(56) **References Cited**

U.S. PATENT DOCUMENTS

3,566,341 A 2/1971 Skony
5,035,653 A 7/1991 Honkomp et al.

(Continued)

OTHER PUBLICATIONS

“Glass-to-metal hermetic seals and power terminal feed-throughs”
Fusite Tech-Data [Bulletin 962A], Fusite Division of Emerson Electric Co., © 1996 Fusite Division of Emerson Electric Co., p. 1-4.

“Glass-to-metal hermetic seals, connectors and related components”
Fusite [Brochure], Fusite Division of Emerson Electric Co., © 1999
Fusite Division of Emerson Electric Co., p. 1-8.

Primary Examiner — Daniel Bui

(74) *Attorney, Agent, or Firm* — Harness, Dickey & Pierce, P.L.C.

(57) **CLAIM**

The ornamental design for a hermetic terminal, as shown and described.

DESCRIPTION

FIG. 1 is a front perspective view of a first embodiment of a hermetic terminal showing our new design;

FIG. 2 is a front view thereof;

FIG. 3 is a side view thereof from the direction of arrow A in FIG. 2;

FIG. 4 is a side view thereof from the direction of arrow B in FIG. 2;

FIG. 5 is a side view thereof from the direction of arrow C in FIG. 2;

FIG. 6 is a front perspective view of a second embodiment of a hermetic terminal showing our new design;

FIG. 7 is a front view thereof;

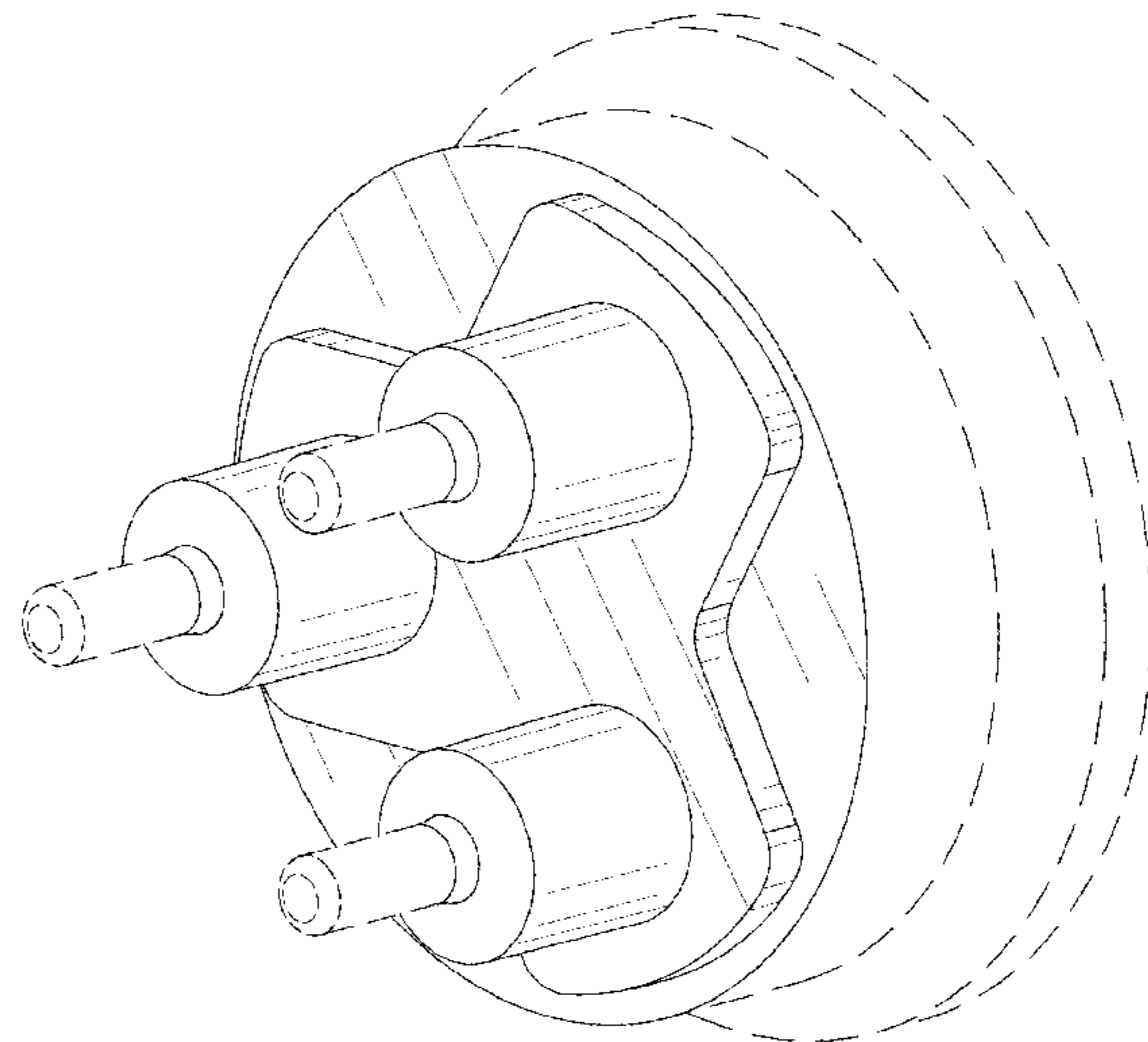
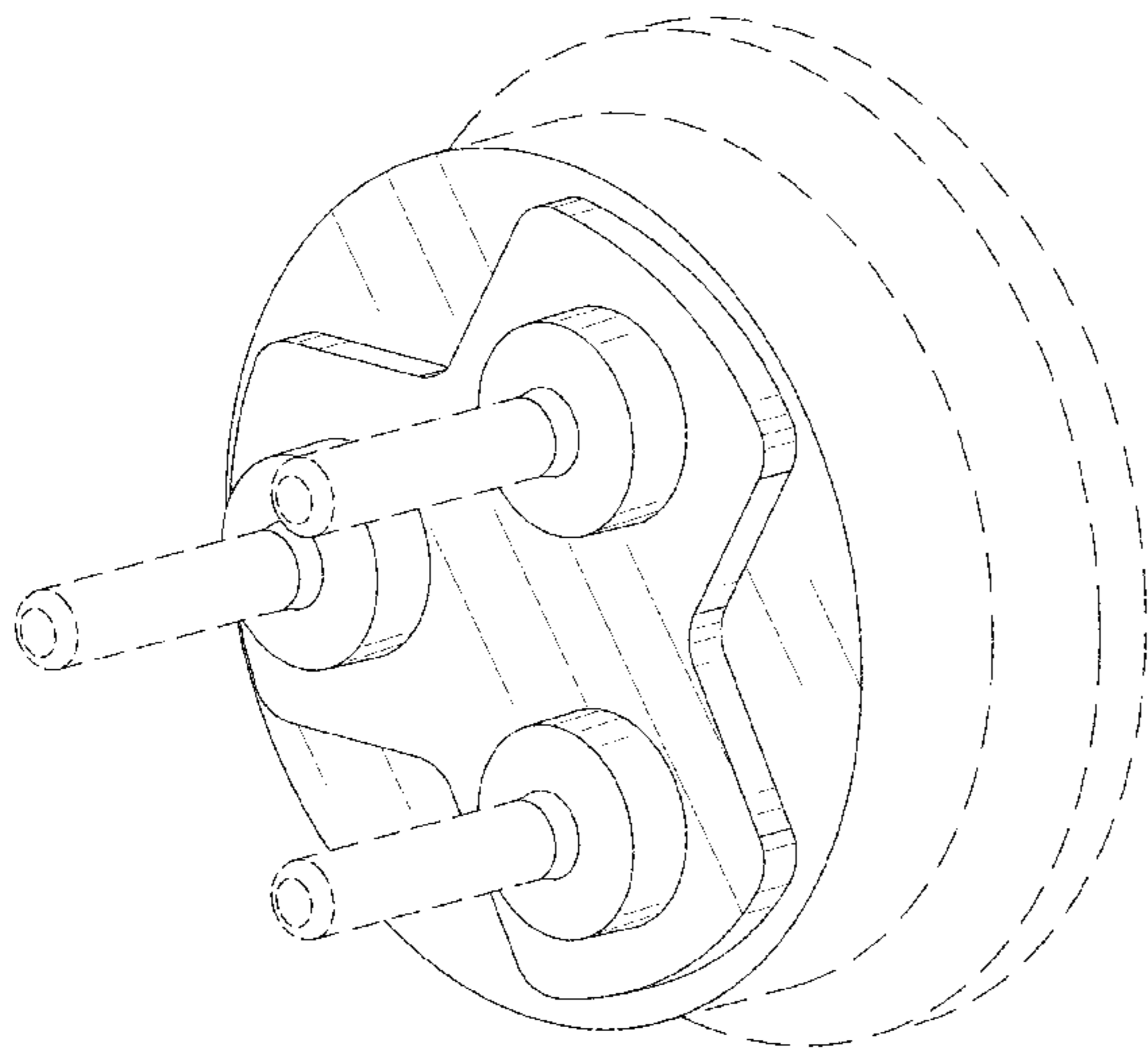
FIG. 8 is a side view thereof from the direction of arrow A in FIG. 7;

FIG. 9 is a side view thereof from the direction of arrow B in FIG. 7; and,

FIG. 10 is a side view thereof from the direction of arrow C in FIG. 7.

The broken line portion of the figure drawings is included for the purpose of illustrating environment and forms no part of the claimed design. It is to be understood that the bottom of hermetic terminal forms no part of the present design.

1 Claim, 6 Drawing Sheets



(56)

References Cited

U.S. PATENT DOCUMENTS

5,129,843	A	7/1992	Bowsky et al.	6,699,078	B2 *	3/2004	Quadir	H01R 13/53 439/272
5,131,858	A	7/1992	Heimbrock	7,025,614	B2	4/2006	Herrick et al.	
D340,911	S	11/1993	Bowsky et al.	8,794,999	B2	8/2014	Schuckmann et al.	
5,580,282	A	12/1996	Paterek	8,851,923	B2 *	10/2014	Klaassen	H01R 13/521 439/587
6,509,525	B2 *	1/2003	Honkomp	D720,301	S *	12/2014	Schuckmann	D13/154
			H01B 17/303 174/152 GM	2007/0116414	A1 *	5/2007	Penumatcha	G02B 6/3817 385/89

* cited by examiner

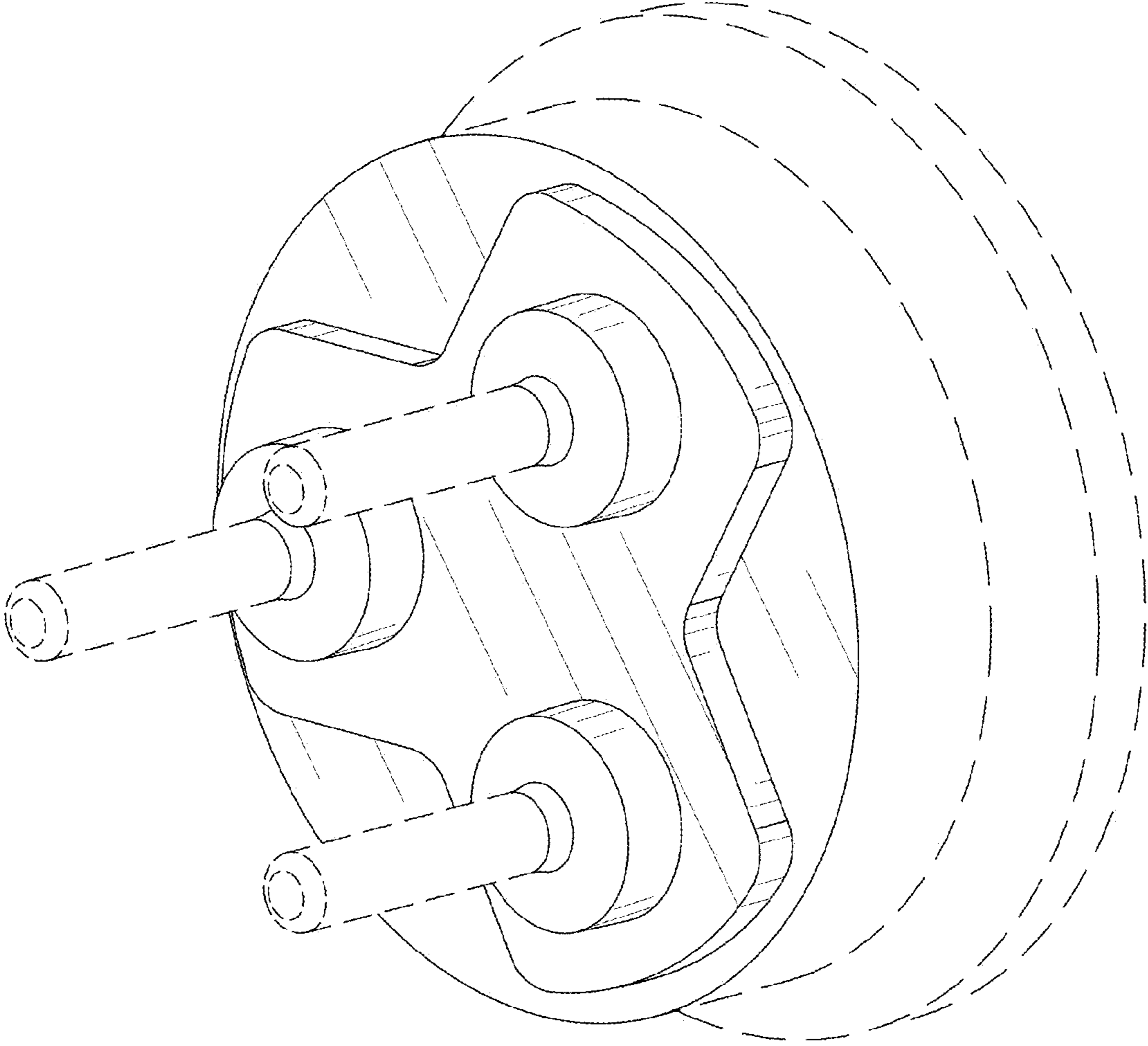
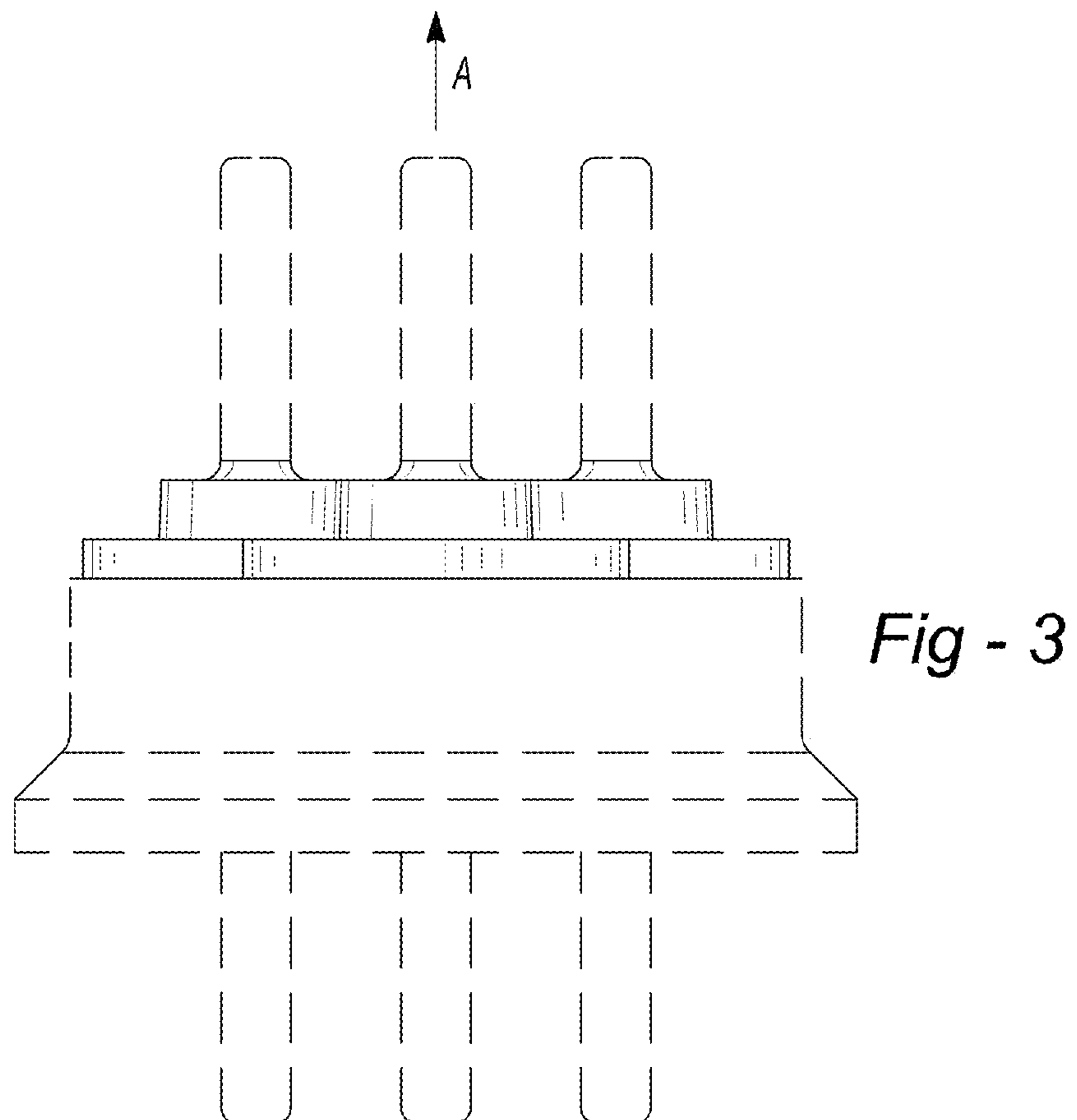
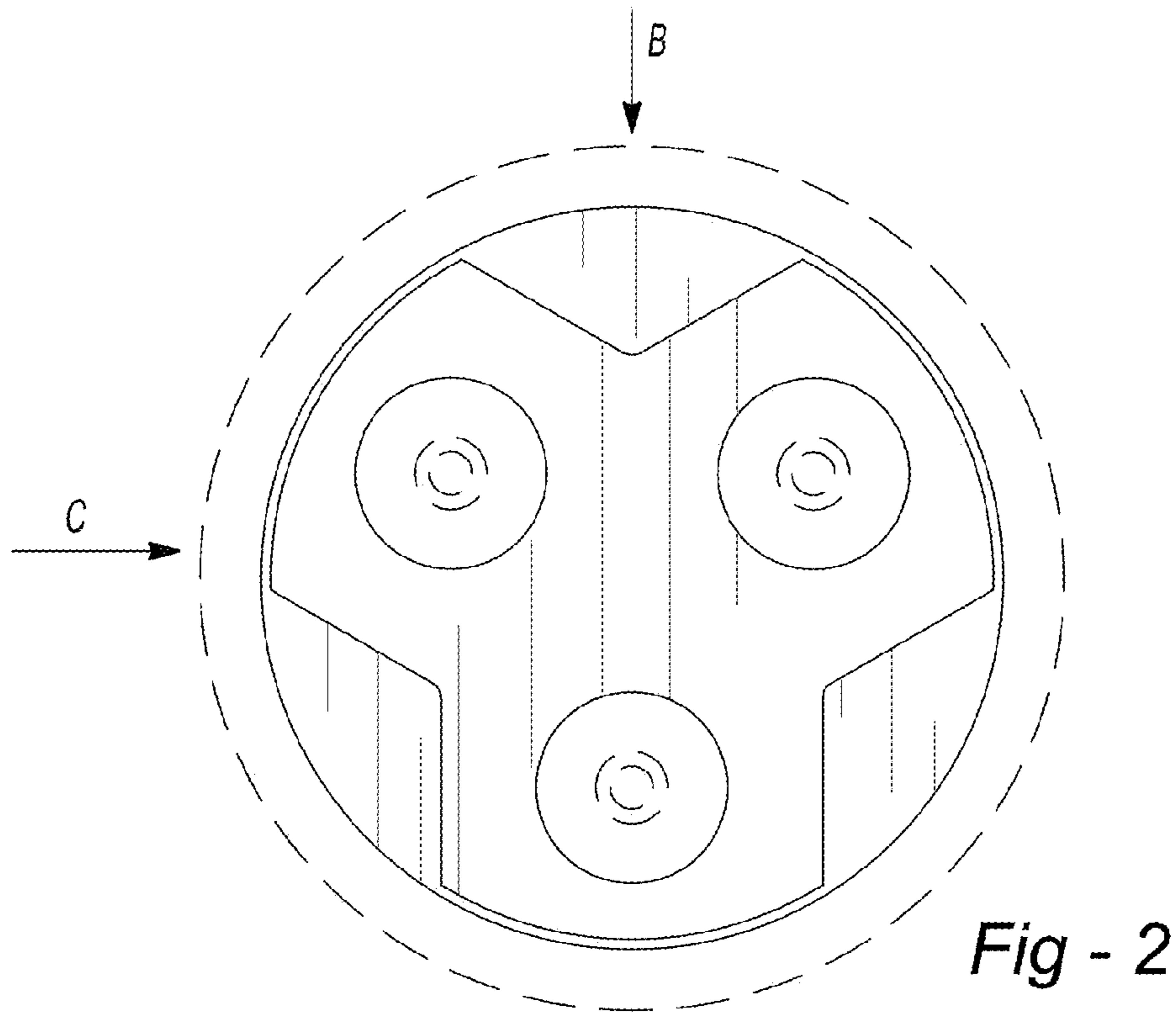


Fig - 1



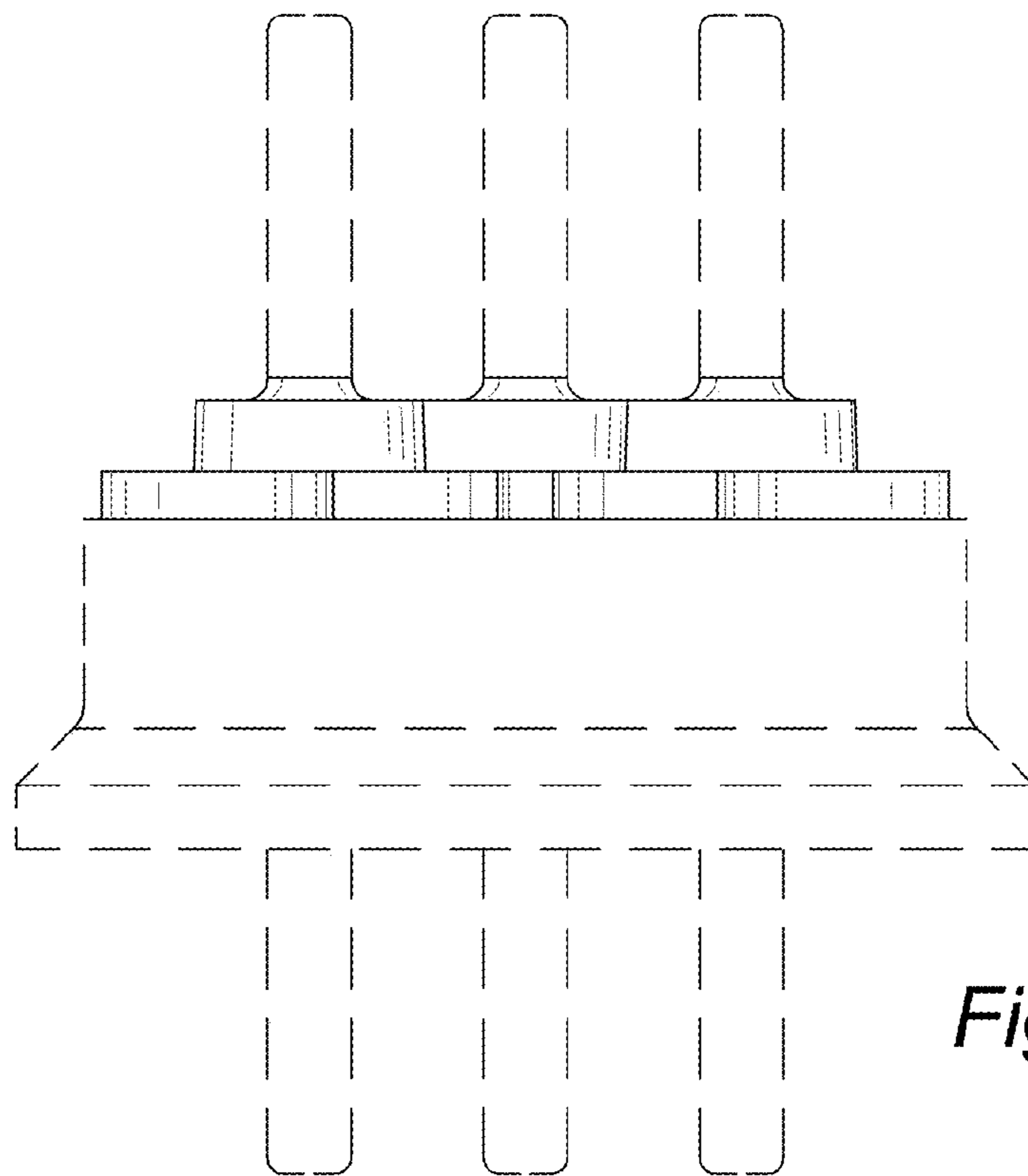


Fig - 4

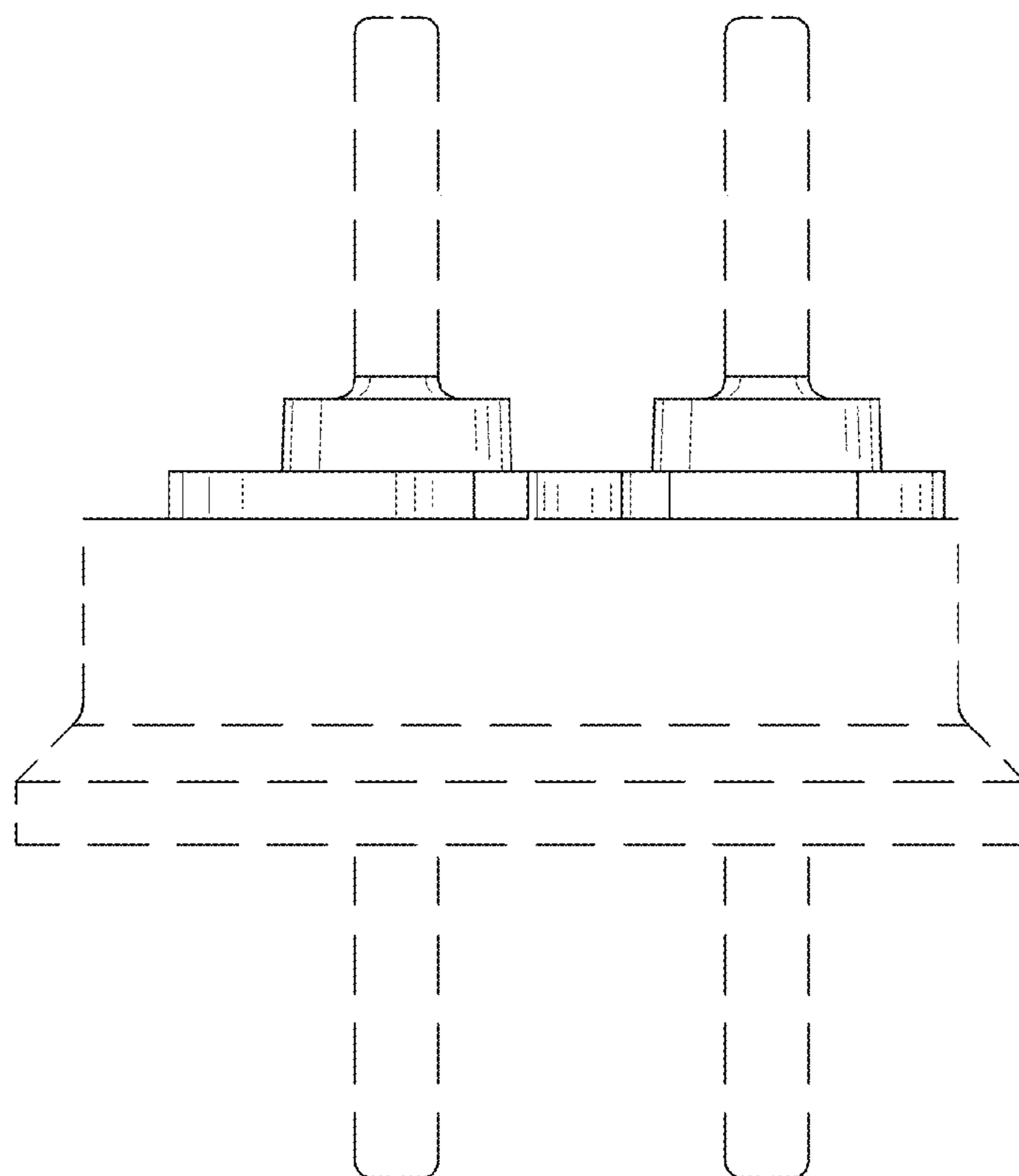


Fig - 5

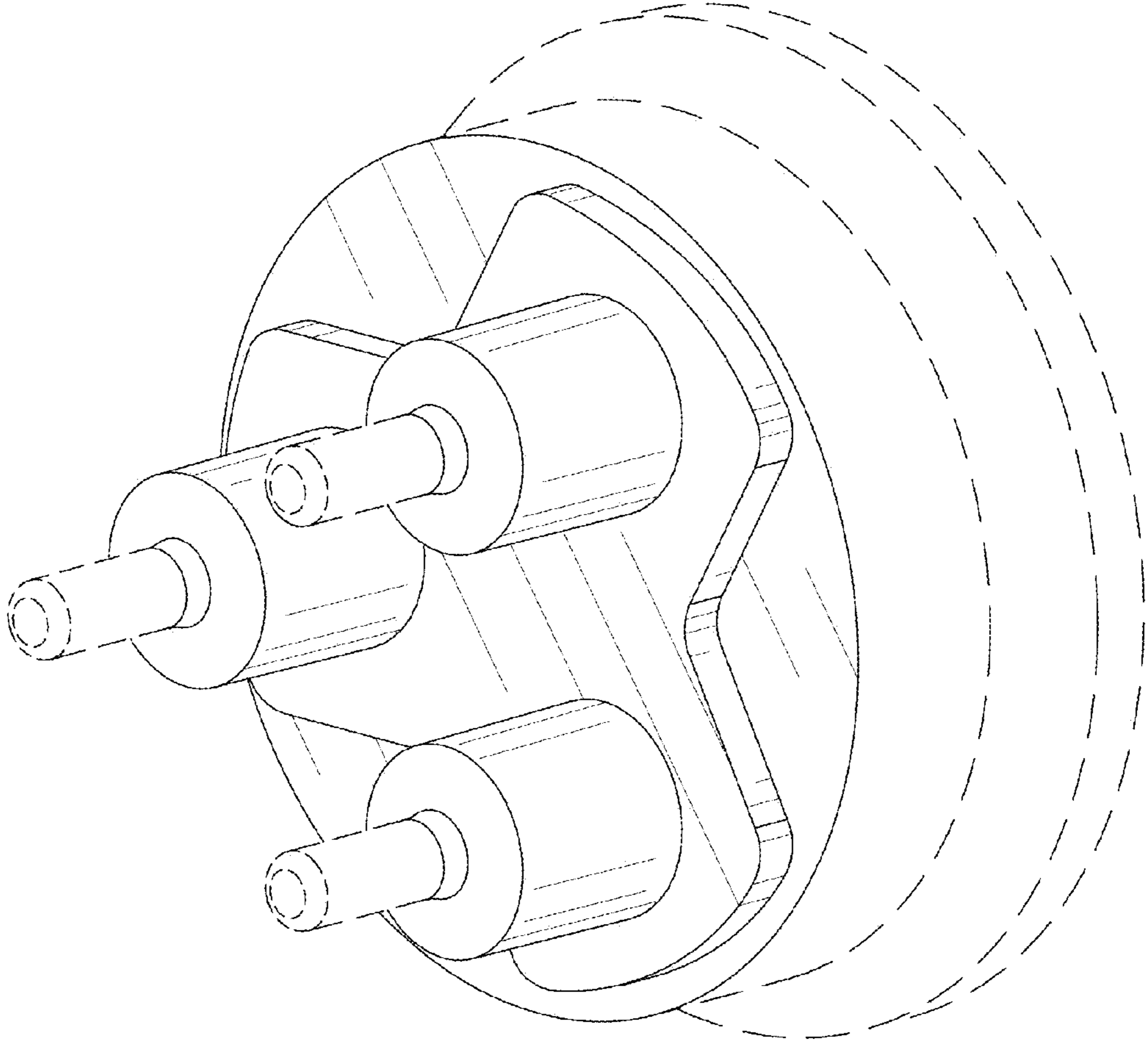


Fig - 6

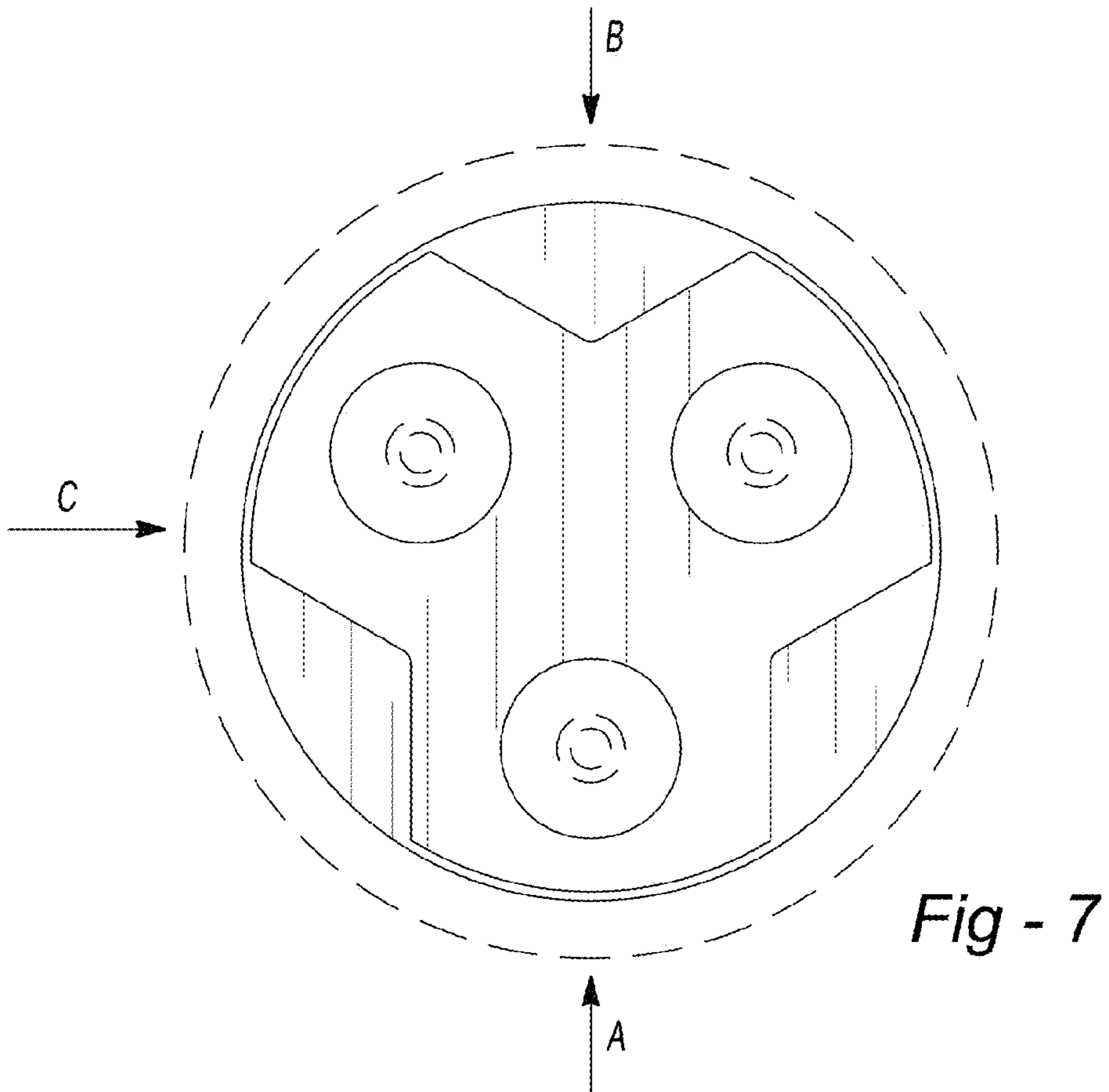


Fig - 7

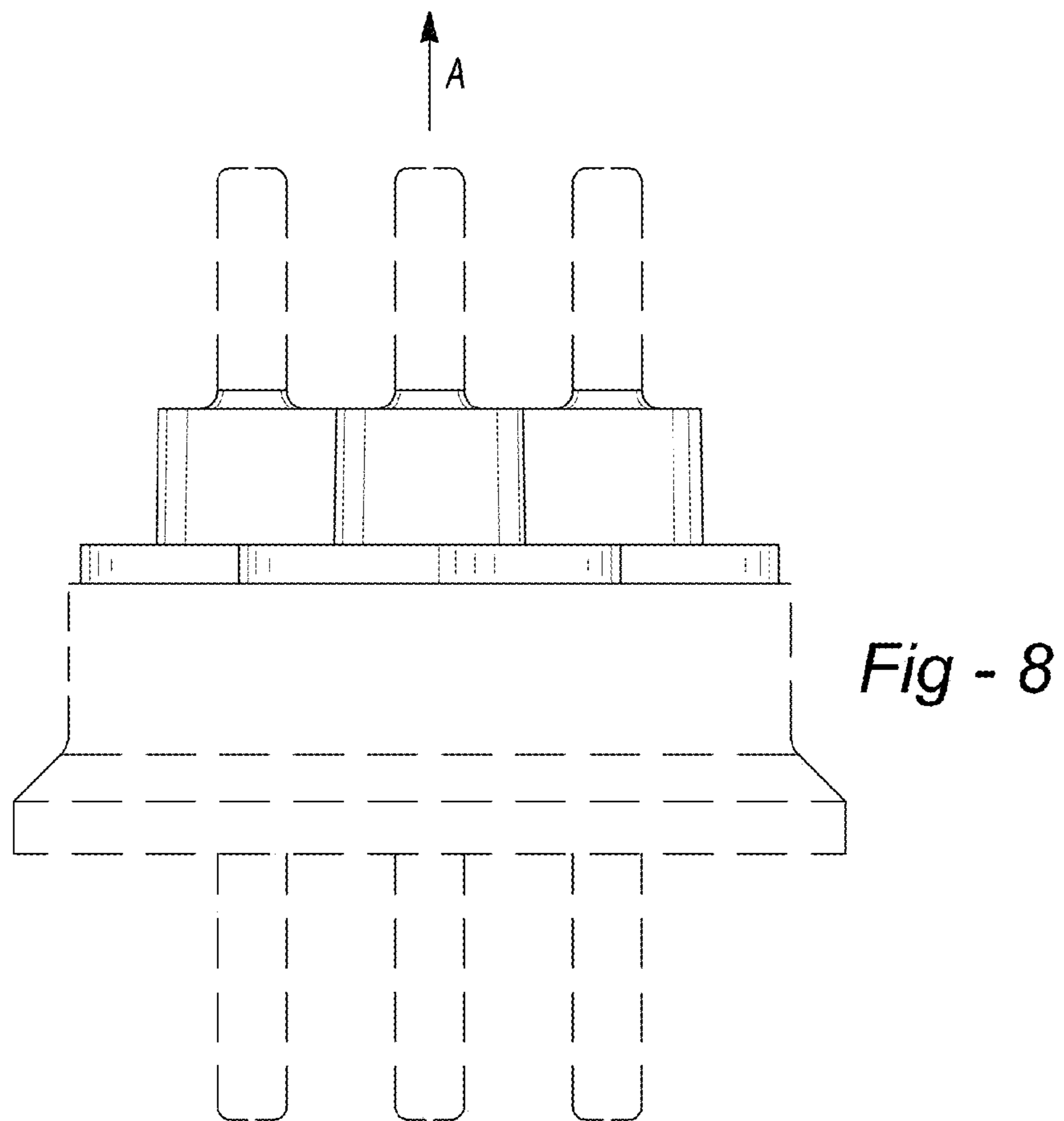


Fig - 8

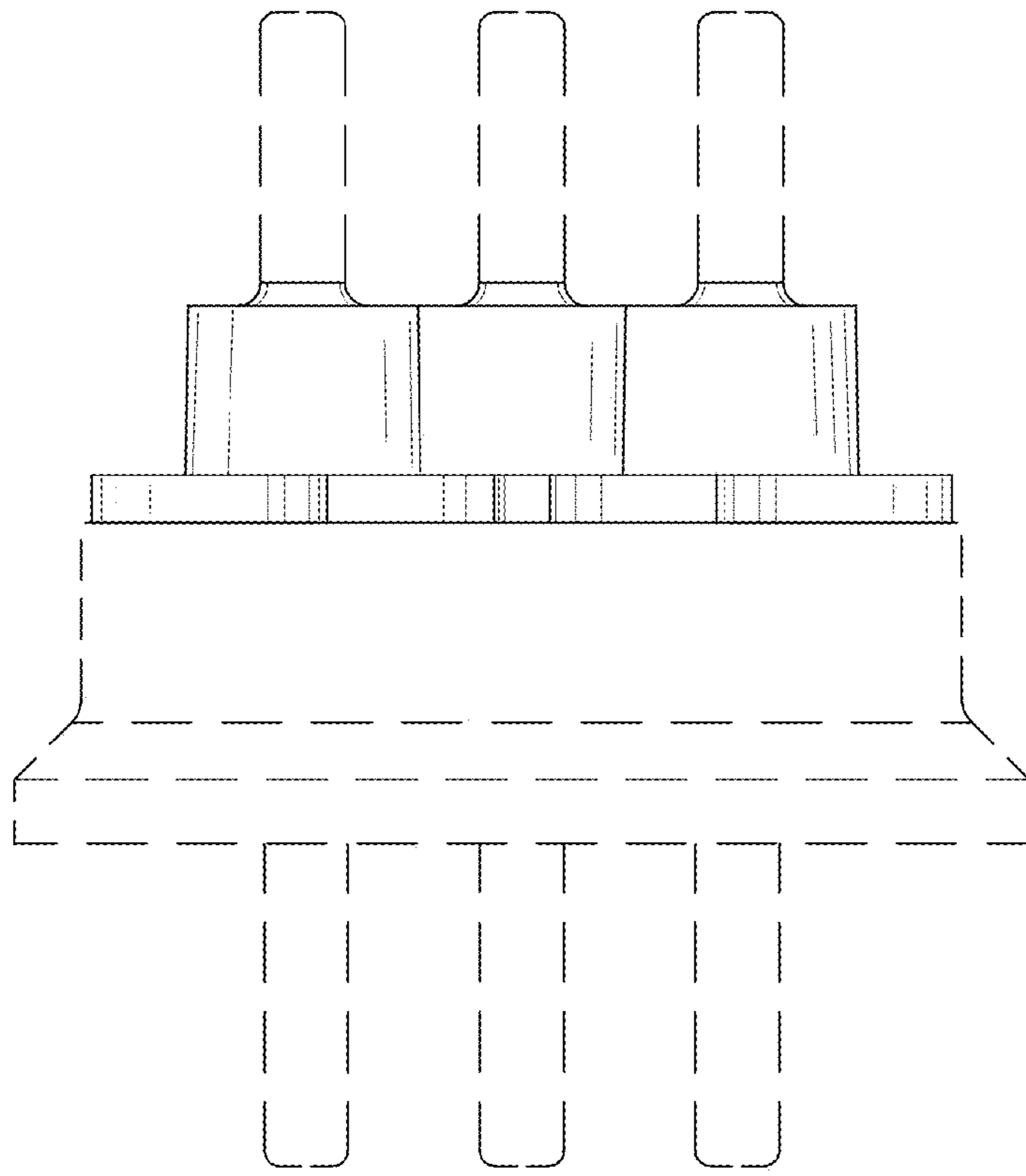


Fig - 9

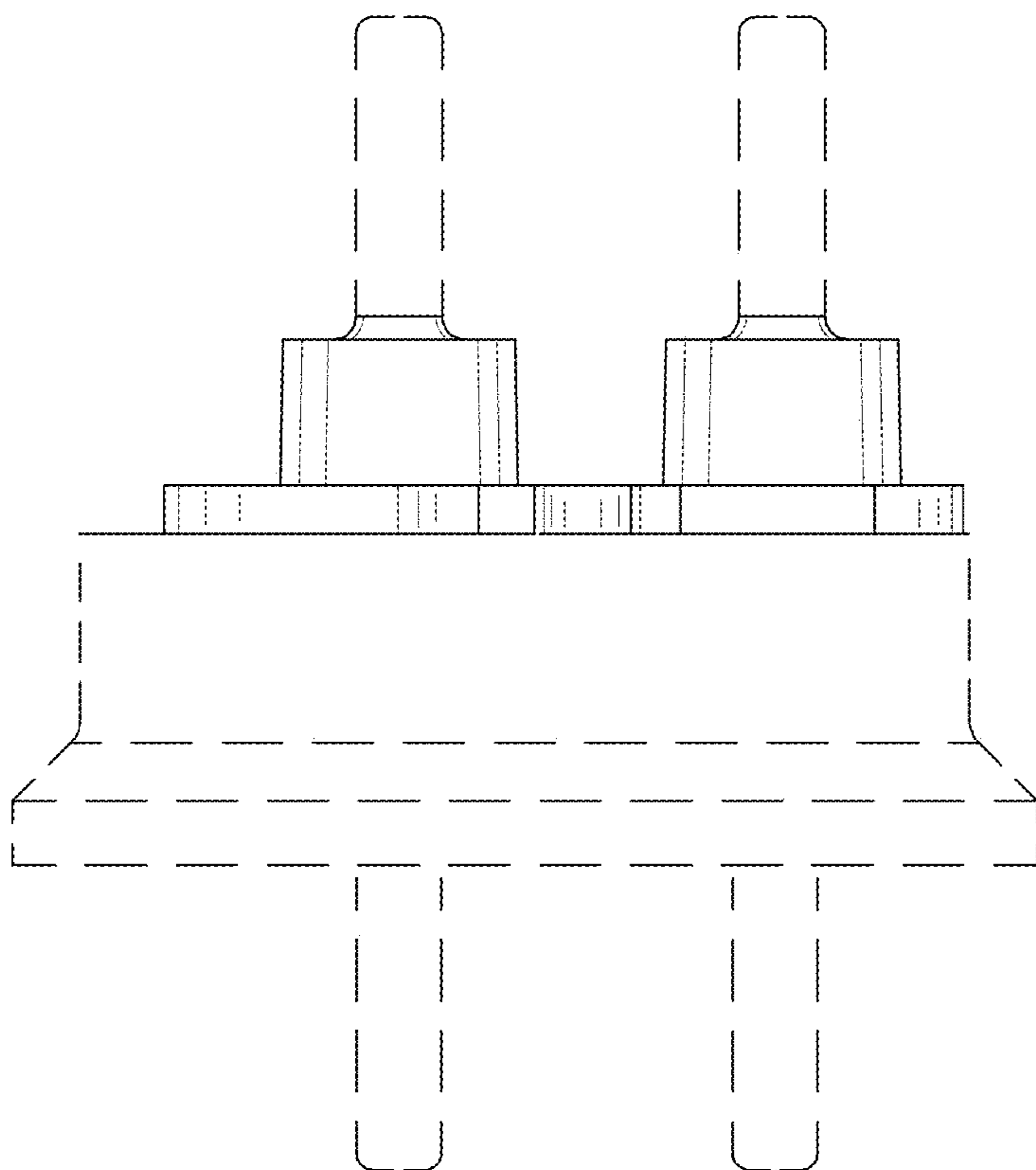


Fig - 10