



US00D749516S

(12) **United States Design Patent**
Schuckmann et al.

(10) **Patent No.:** **US D749,516 S**
(45) **Date of Patent:** **** Feb. 16, 2016**

- (54) **HERMETIC TERMINAL**
- (71) Applicant: **Emerson Electric Co.**, St. Louis, MO (US)
- (72) Inventors: **Scott Schuckmann**, Maineville, OH (US); **Prasad S. Khadkikar**, West Chester, OH (US)
- (73) Assignee: **Emerson Electric Co.**, St. Louis, MO (US)
- (**) Term: **14 Years**
- (21) Appl. No.: **29/509,337**
- (22) Filed: **Nov. 17, 2014**

Related U.S. Application Data

- (62) Division of application No. 29/429,570, filed on Aug. 14, 2012, now Pat. No. Des. 720,301.
- (51) **LOC (10) Cl.** **13-03**
- (52) **U.S. Cl.**
USPC **D13/146**
- (58) **Field of Classification Search**
USPC D13/133, 146, 147, 154, 184, 199
See application file for complete search history.

References Cited

U.S. PATENT DOCUMENTS

| | | | | |
|-----------|------|---------|----------------|---------------------------|
| 3,566,341 | A | 2/1971 | Skony | |
| 5,035,653 | A | 7/1991 | Honkomp et al. | |
| 5,129,843 | A | 7/1992 | Bowsky et al. | |
| 5,131,858 | A | 7/1992 | Heimbrock | |
| D340,911 | S | 11/1993 | Bowsky et al. | |
| 5,580,282 | A | 12/1996 | Paterek | |
| 6,509,525 | B2 * | 1/2003 | Honkomp | H01B 17/303 174/152 GM |
| 6,699,078 | B2 * | 3/2004 | Quadir | H01R 13/53 439/272 |
| 7,025,614 | B2 | 4/2006 | Herrick et al. | |

8,794,999 B2 8/2014 Schuckmann et al.
8,851,923 B2 * 10/2014 Klaassen H01R 13/521
439/587
D720,301 S * 12/2014 Schuckmann D13/154
2007/0116414 A1 * 5/2007 Penumatcha G02B 6/3817
385/89

OTHER PUBLICATIONS

“Glass-to-metal hermetic seals and power terminal feed-throughs”
Fusite Tech-Data [Bulletin 962A], Fusite Division of Emerson Electric Co., © 1996 Fusite Division of Emerson Electric Co., p. 1-4.
“Glass-to-metal hermetic seals, connectors and related components”
Fusite [Brochure], Fusite Division of Emerson Electric Co., © 1999 Fusite Division of Emerson Electric Co., p. 1-8.

* cited by examiner

Primary Examiner — Daniel Bui

(74) *Attorney, Agent, or Firm* — Harness, Dickey & Pierce, P.L.C.

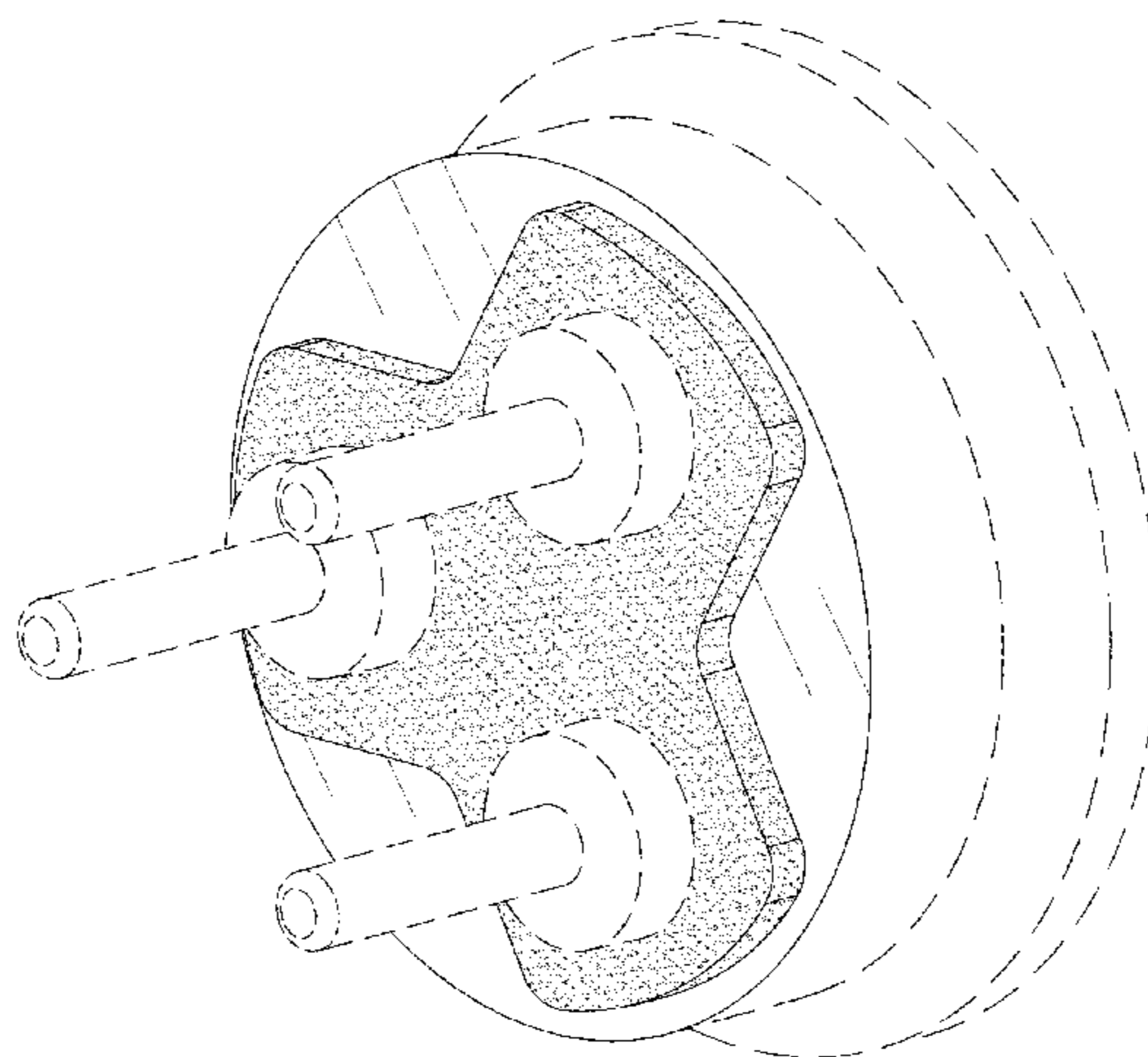
CLAIM

(57) The ornamental design for a hermetic terminal, as shown and described.

DESCRIPTION

FIG. 1 is a front perspective view of a hermetic terminal showing our new design;
FIG. 2 is a front view thereof;
FIG. 3 is a side view thereof from the direction of arrow A in FIG. 2;
FIG. 4 is a side view thereof from the direction of arrow B in FIG. 2; and,
FIG. 5 is a side view thereof from the direction of arrow C in FIG. 2.
The broken line portion of the figure drawings is included for the purpose of illustrating environment and forms no part of the claimed design. It is to be understood that the bottom of hermetic terminal forms no part of the present design.

1 Claim, 3 Drawing Sheets



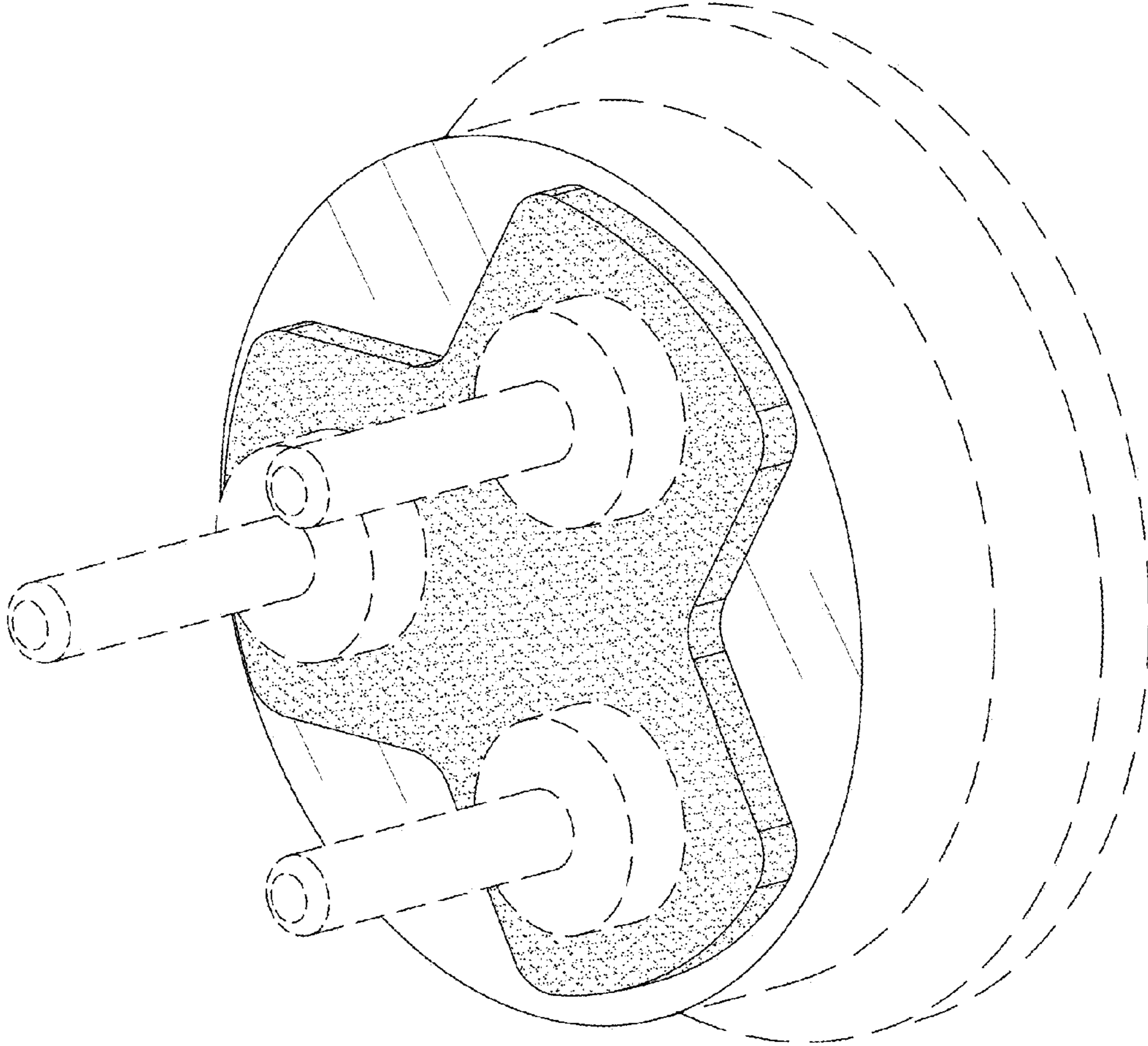
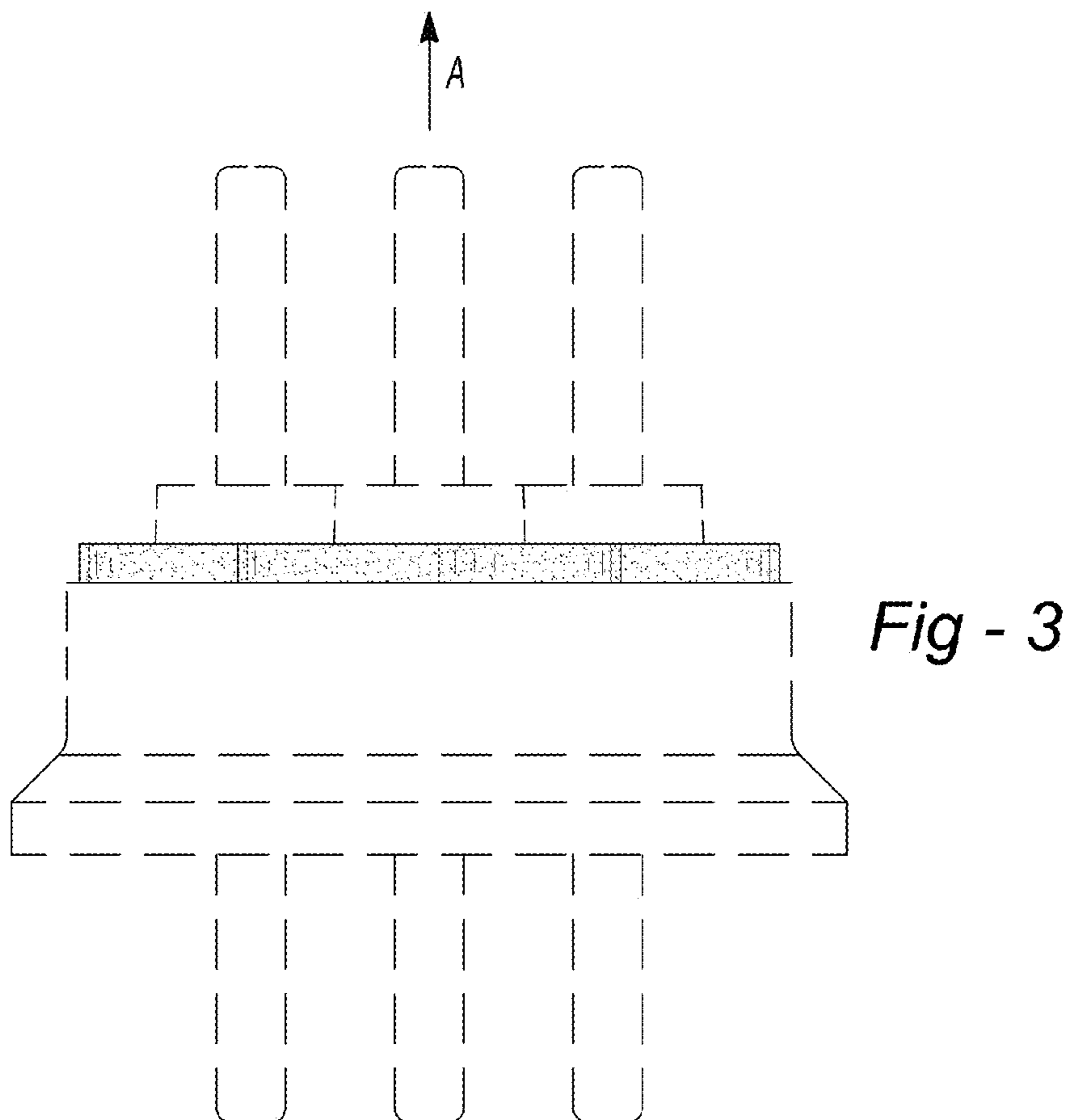
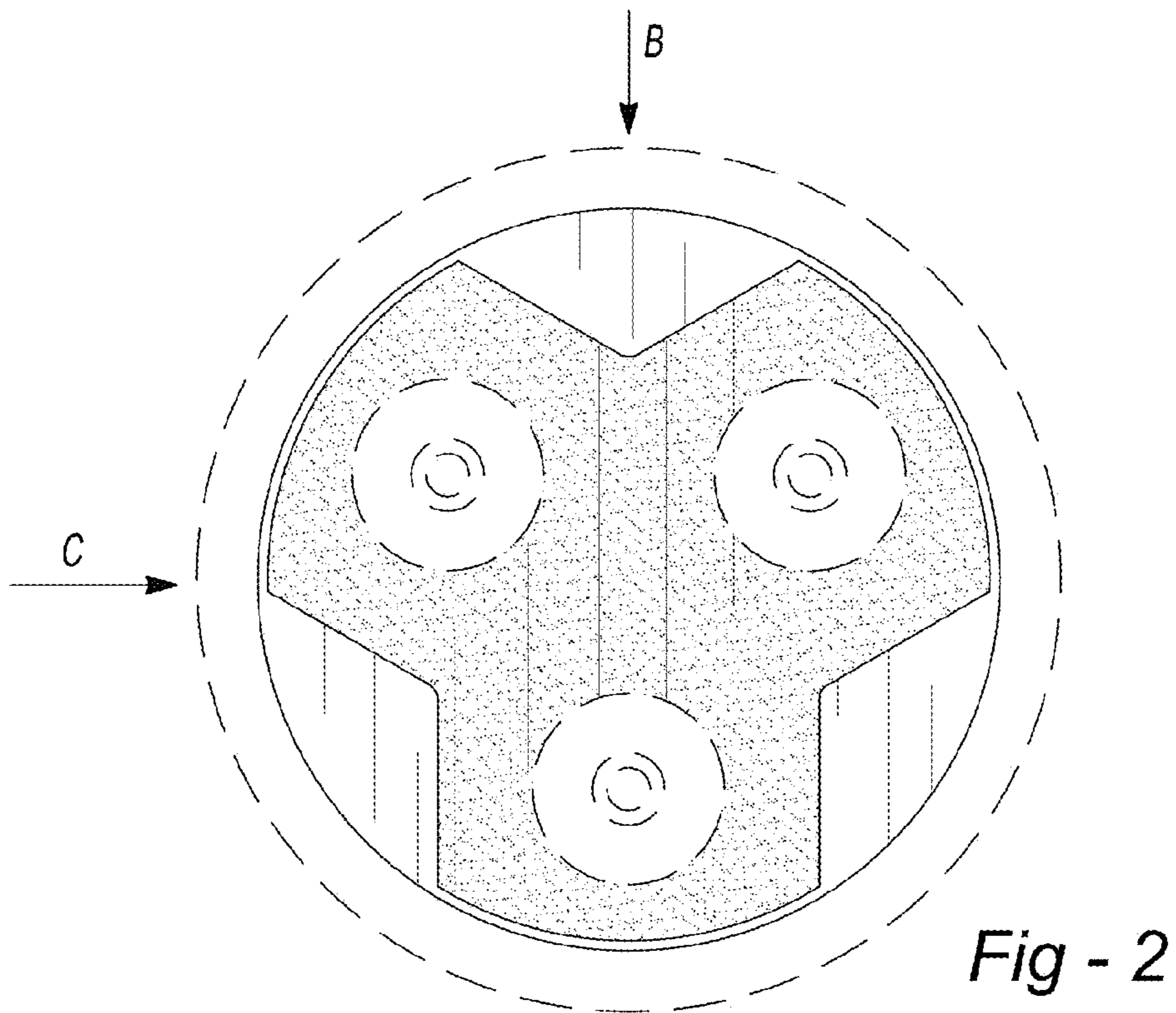


Fig - 1



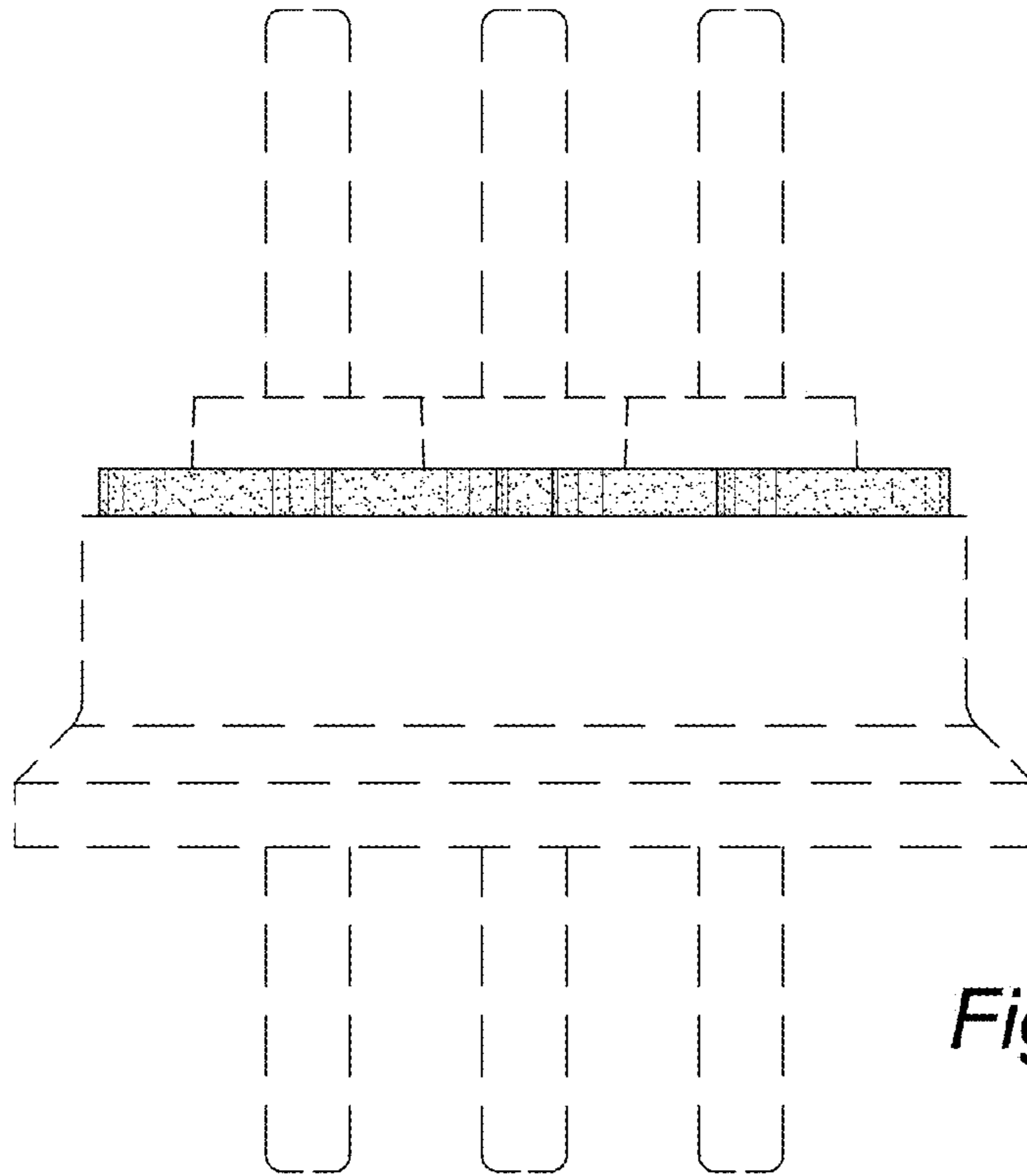


Fig - 4

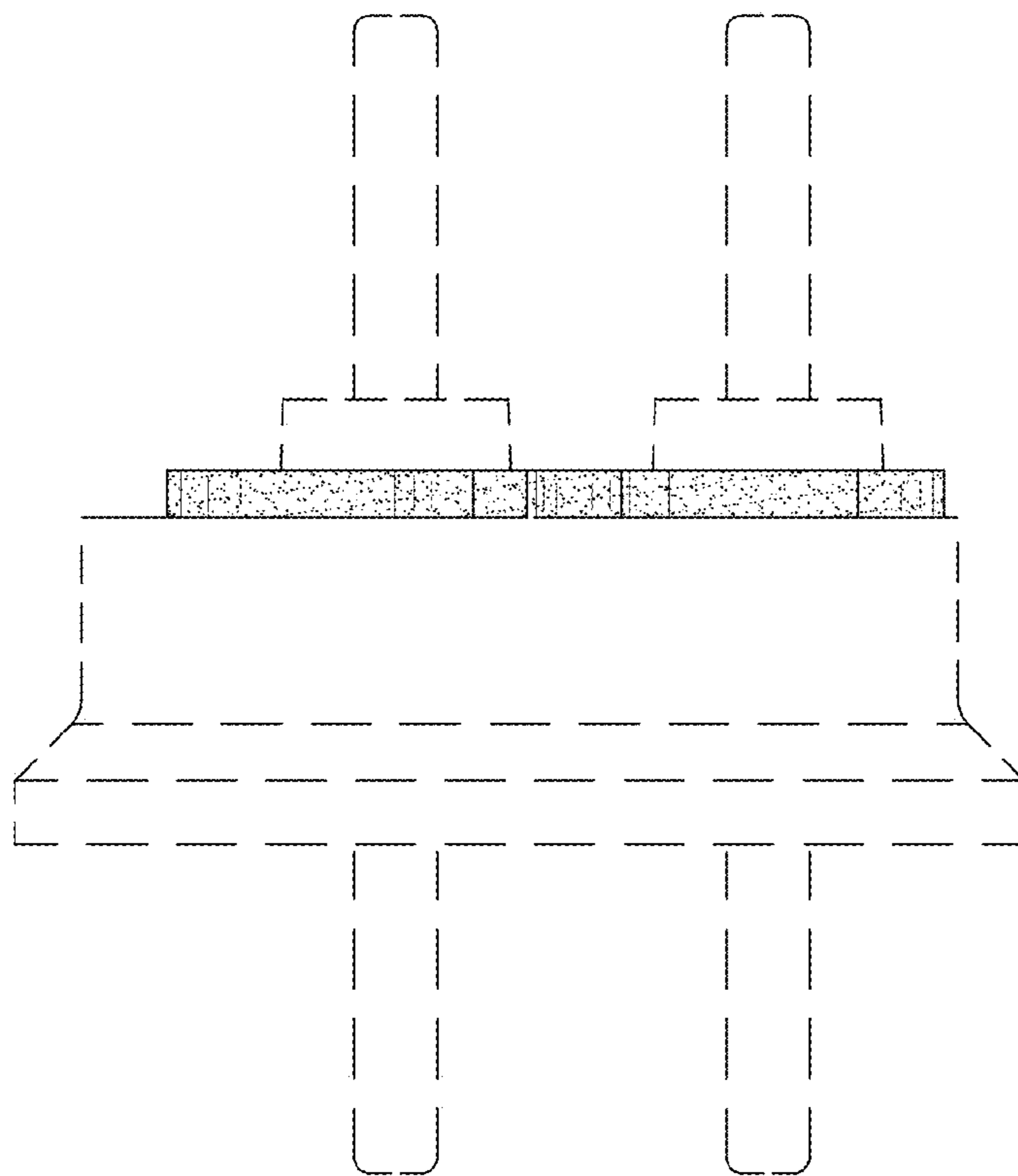


Fig - 5