



US00D749514S

(12) **United States Design Patent**
Medley et al.

(10) **Patent No.:** **US D749,514 S**

(45) **Date of Patent:** **** Feb. 16, 2016**

(54) **STAKE PLUG**

(71) Applicants: **Mark Medley**, Covina, CA (US); **Jeff Millar-Sax**, Yucalpa, CA (US); **Gerry Bateman**, Pinehurst, NC (US); **Cynthia Marvel**, Clearwater, FL (US); **Meng Choo Loh**, Los Angeles, CA (US)

(72) Inventors: **Mark Medley**, Covina, CA (US); **Jeff Millar-Sax**, Yucalpa, CA (US); **Gerry Bateman**, Pinehurst, NC (US); **Cynthia Marvel**, Clearwater, FL (US); **Meng Choo Loh**, Los Angeles, CA (US)

(73) Assignee: **PRIME WIRE & CABLE, INC.**, City of Industry, CA (US)

(**) Term: **14 Years**

(21) Appl. No.: **29/443,207**

(22) Filed: **Jan. 14, 2013**

(51) **LOC (10) Cl.** **13-03**

(52) **U.S. Cl.**
USPC **D13/139.5**

(58) **Field of Classification Search**
USPC D13/139.5, 139.9, 139, 137.1–137.4, D13/138.2, 138.1, 139.2, 139.6, 139.8, 110, D13/152, 162, 156, 171, 158, 170, 177, 3; 174/66, 37–38; 200/5 A, 5 R, 1 B; 338/201–202; 361/118, 602, 622, 641, 361/644, 660, 679.05

See application file for complete search history.

(56) **References Cited**

U.S. PATENT DOCUMENTS

D453,497 S *	2/2002	Stekelenburg	D13/139.4
D460,415 S *	7/2002	Stekelenburg	D13/139.4
D515,503 S *	2/2006	Lee	D13/139.4
D516,029 S *	2/2006	Stekelenburg	D13/139.4
D638,360 S *	5/2011	Kan	D13/139.4
D638,367 S *	5/2011	Isaacks et al.	D13/152

* cited by examiner

Primary Examiner — Holly Baynham

Assistant Examiner — Rhea Shields

(74) *Attorney, Agent, or Firm* — John K. Buche; Buche & Associates, P.C.

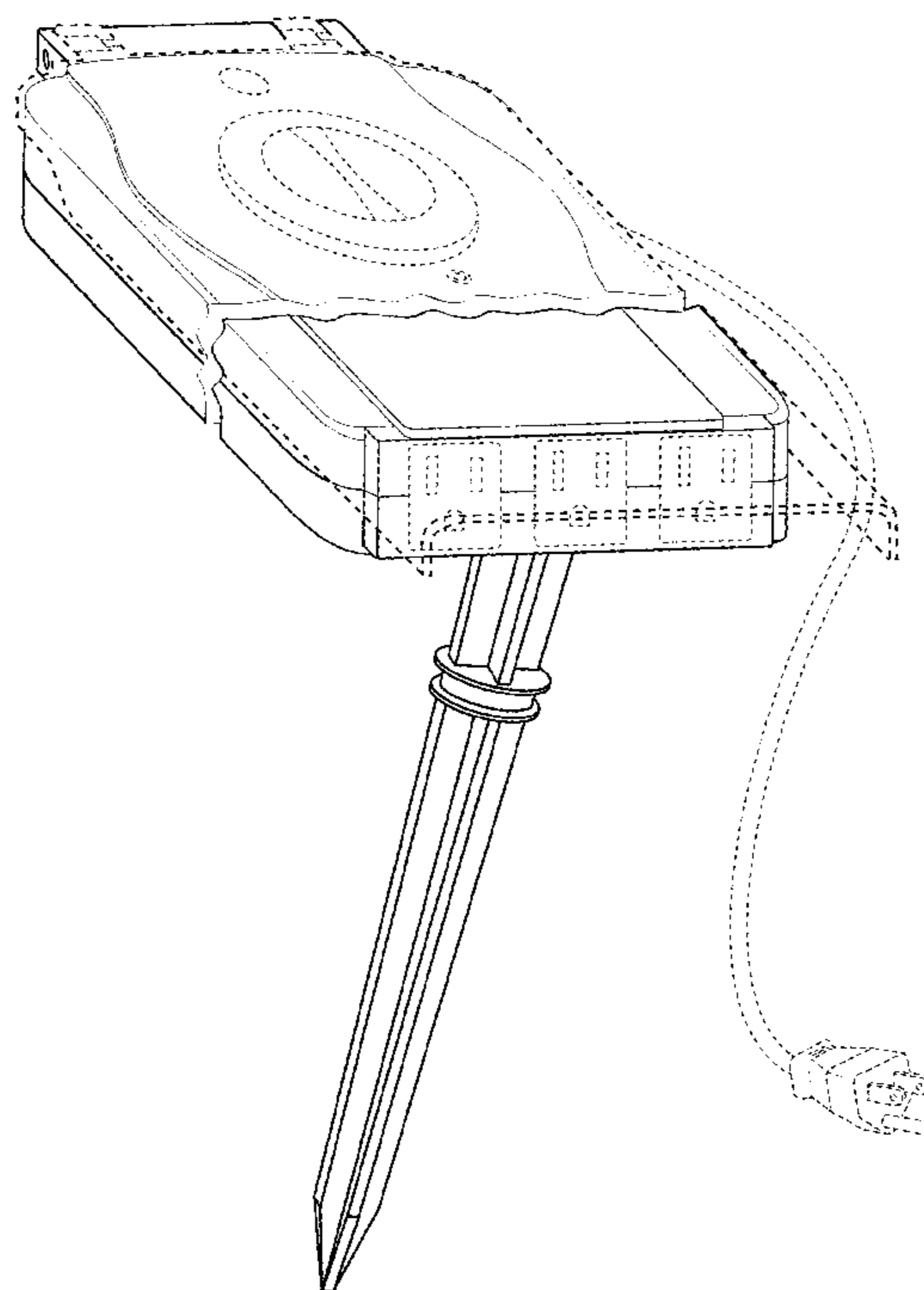
(57) **CLAIM**

The ornamental design for a stake plug, as shown and described.

DESCRIPTION

FIG. 1 is a perspective view of a stake plug.
FIG. 2 is a top view of a stake plug of FIG. 1.
FIG. 3 is a bottom view of a stake plug of FIG. 1.
FIG. 4 is a left-side view of a stake plug of FIG. 1.
FIG. 5 is a right-side view of a stake plug of FIG. 1.
FIG. 6 is a collapsed back view of a stake plug of FIG. 1; and, FIG. 7 is a collapsed front view of a stake plug of FIG. 1.
In the drawings, the broken lines are for the purpose of illustrating environment only and form no part of the claimed design.

1 Claim, 6 Drawing Sheets



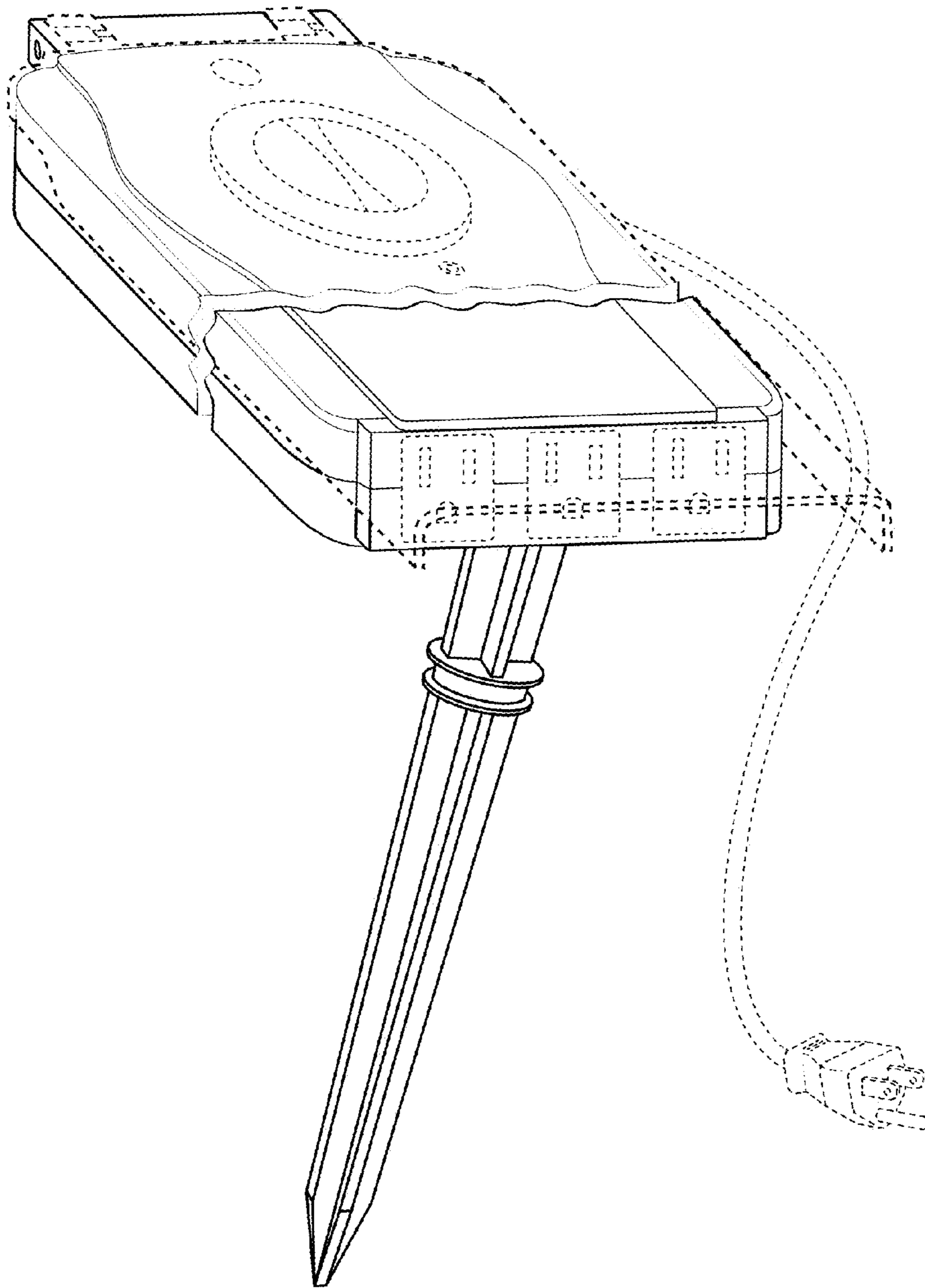


FIG. 1

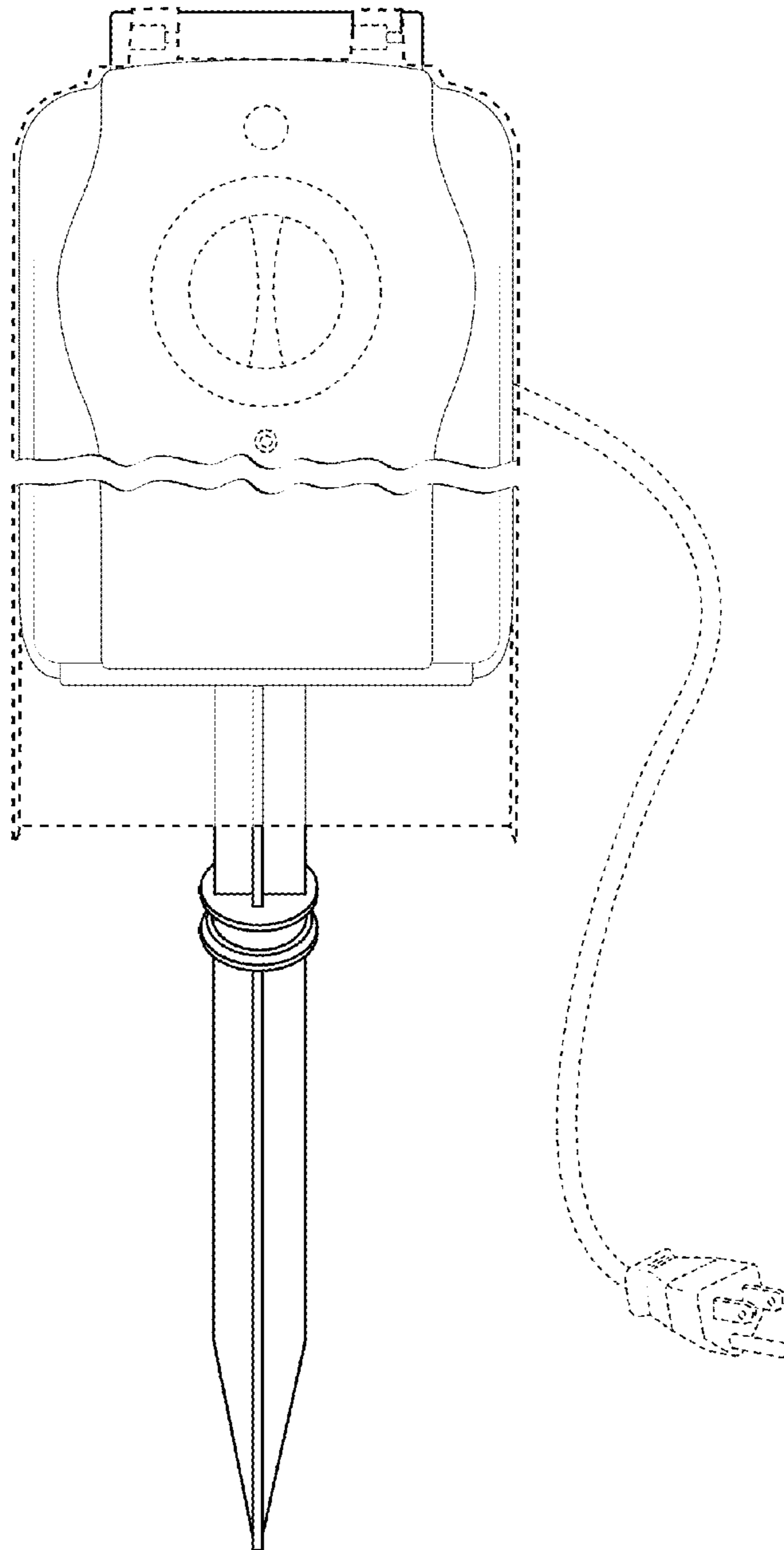


FIG. 2

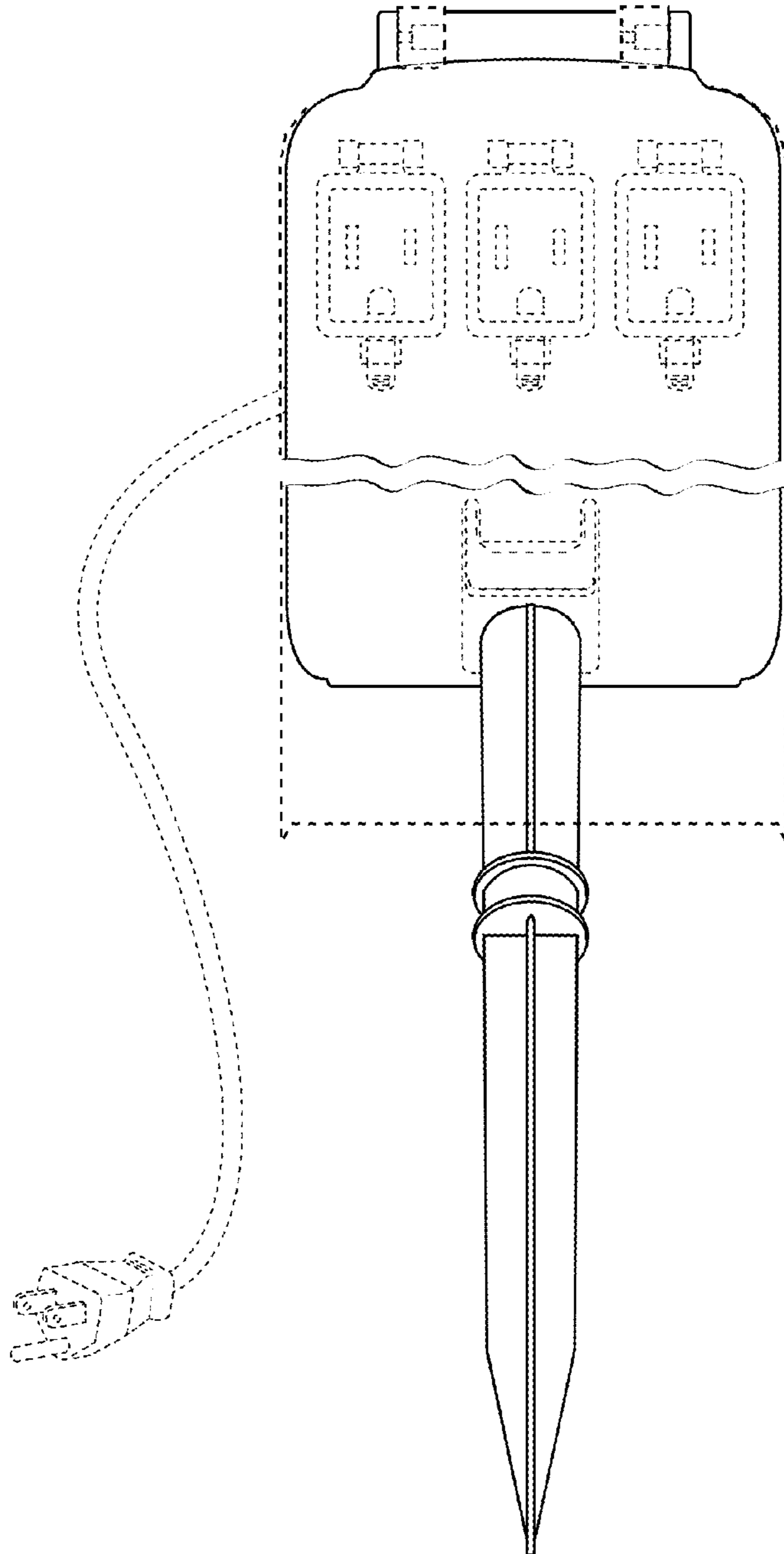


FIG. 3

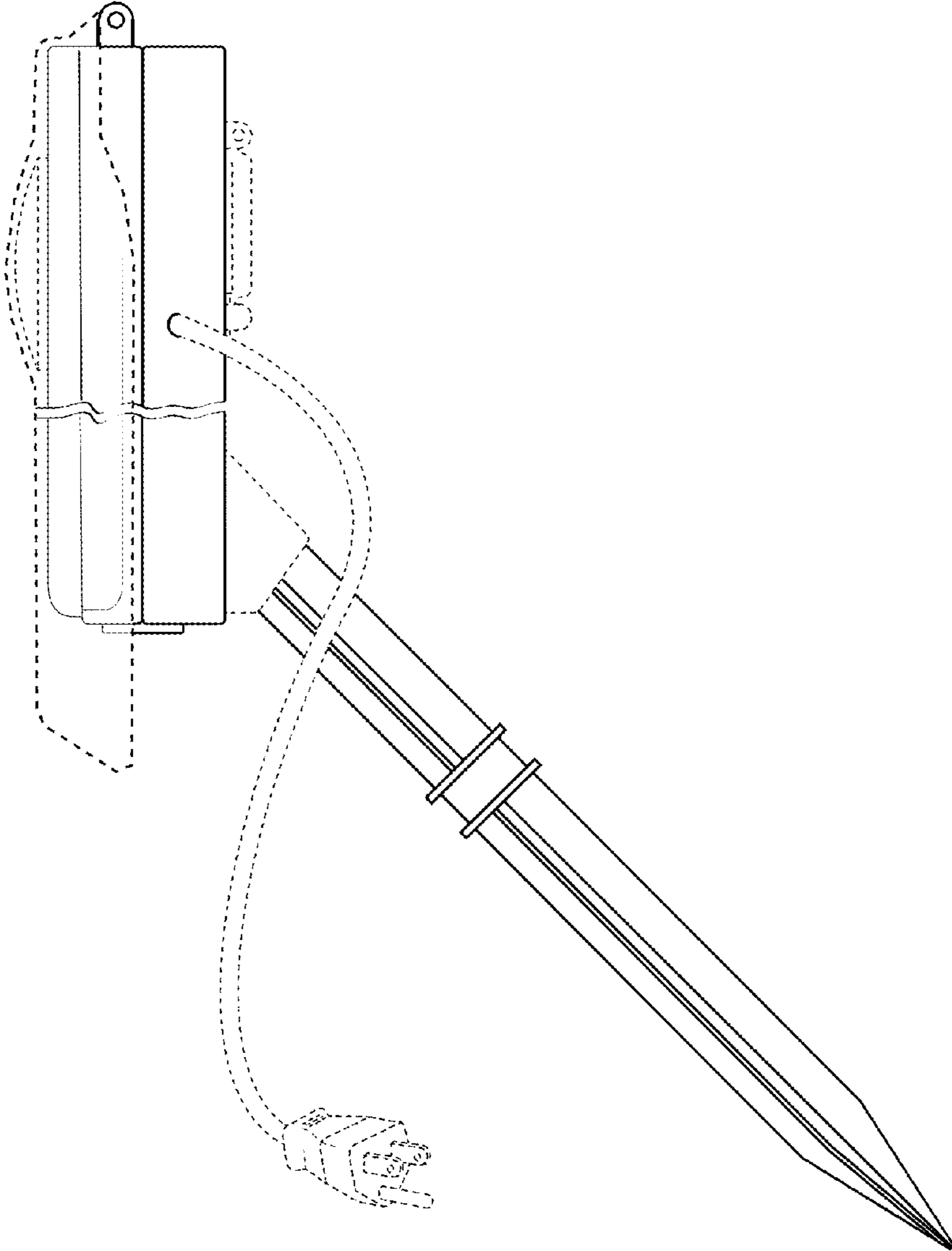


FIG. 4

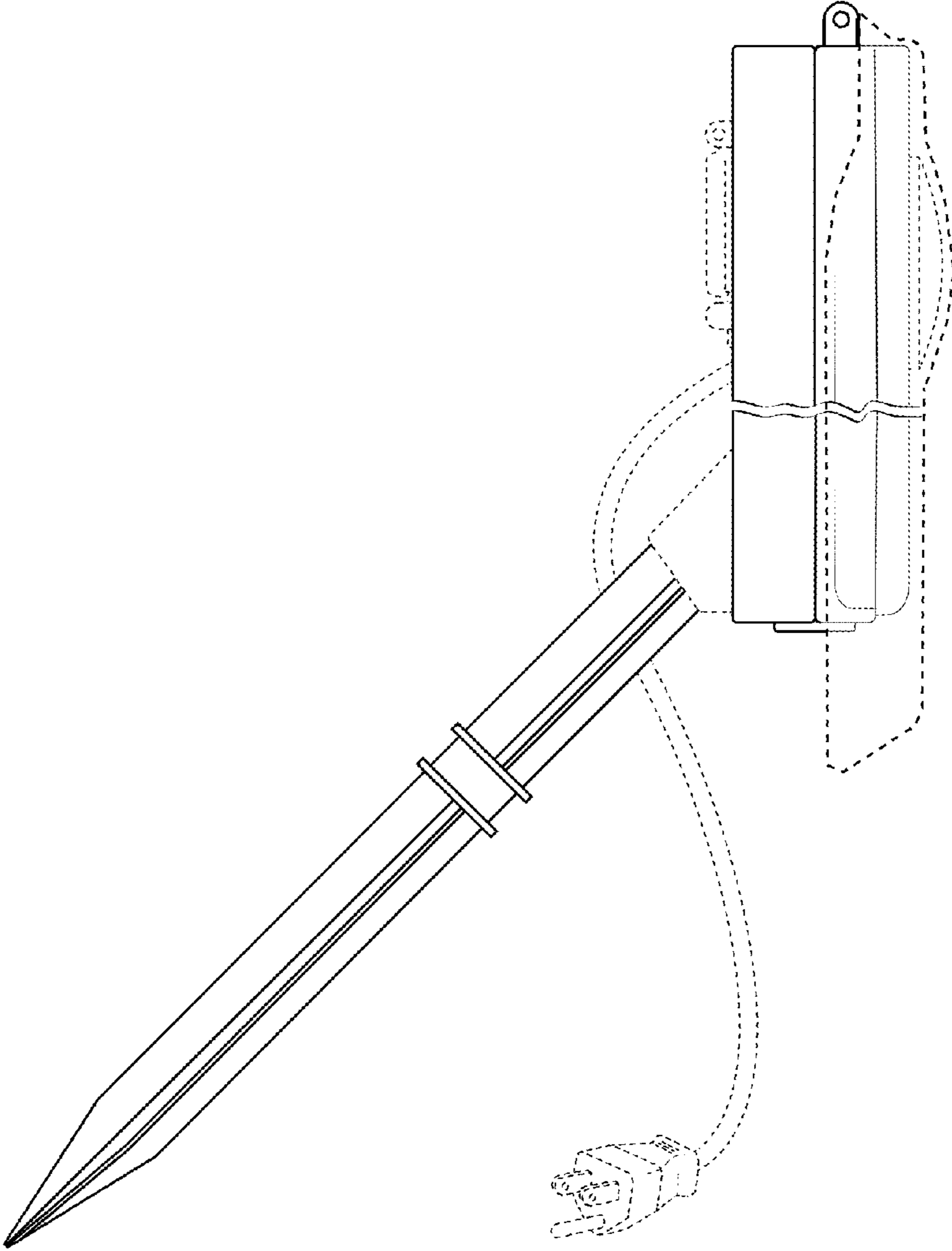


FIG. 5

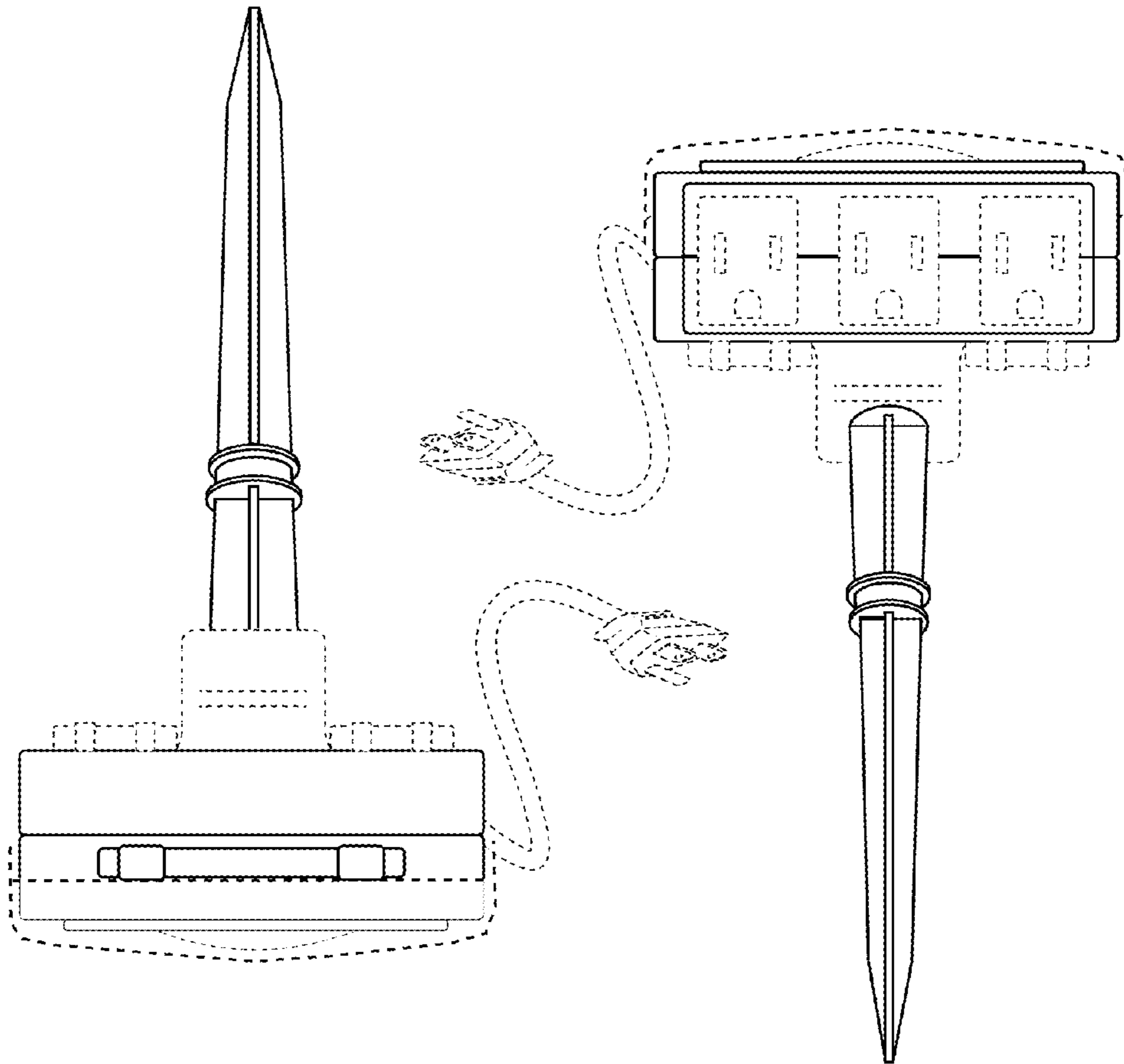


FIG. 6

FIG. 7