



US00D749512S

(12) **United States Design Patent**  
**Yonishi et al.**

(10) **Patent No.:** **US D749,512 S**  
(45) **Date of Patent:** **\*\* Feb. 16, 2016**

- (54) **RECHARGEABLE BATTERY**
- (71) Applicant: **Sony Corporation**, Tokyo (JP)
- (72) Inventors: **Kiyoshi Yonishi**, Fukushima (JP);  
**Atsuhiko Kumagai**, Kanagawa (JP);  
**Takeshi Ichimura**, Tokyo (JP); **Yuki Okuno**, Tokyo (JP)
- (73) Assignee: **Sony Corporation**, Tokyo (JP)
- (\*\*) Term: **14 Years**
- (21) Appl. No.: **29/521,678**
- (22) Filed: **Mar. 25, 2015**

- Jun. 5, 2012 (JP) ..... D2012-013300
- Jun. 5, 2012 (JP) ..... D2012-013301
- Jun. 5, 2012 (JP) ..... D2012-013302
- Jun. 5, 2012 (JP) ..... D2012-013303
- Jun. 5, 2012 (JP) ..... D2012-013304
- Jun. 5, 2012 (JP) ..... D2012-013305
- Jun. 5, 2012 (JP) ..... D2012-013306
- (51) **LOC (10) Cl.** ..... **13-02**
- (52) **U.S. Cl.**  
USPC ..... **D13/119**
- (58) **Field of Classification Search**  
USPC ..... D13/102-106, 110, 119-121, 184;  
429/96-100, 163, 176  
CPC ..... Y02E 60/12; Y02E 60/122; Y02E 60/124;  
Y02E 60/50; H01M 2/02; H01M 2/022;  
H01M 2/0202; H01M 2/0207; H01M 2/0212;  
H01M 2/1061; H01M 2/1022; H01M 2/1055;  
H01M 2/1066; H01M 2/105; H01M 2/204;  
H01M 10/4257; H01M 10/0436; H01M 10/48  
See application file for complete search history.

**Related U.S. Application Data**

- (63) Continuation of application No. 29/497,846, filed on Jul. 29, 2014, which is a continuation of application No. 29/462,492, filed on Aug. 5, 2013, now Pat. No. Des. 711,826, which is a continuation of application No. 29/442,045, filed on Nov. 21, 2012, now Pat. No. Des. 687,777.

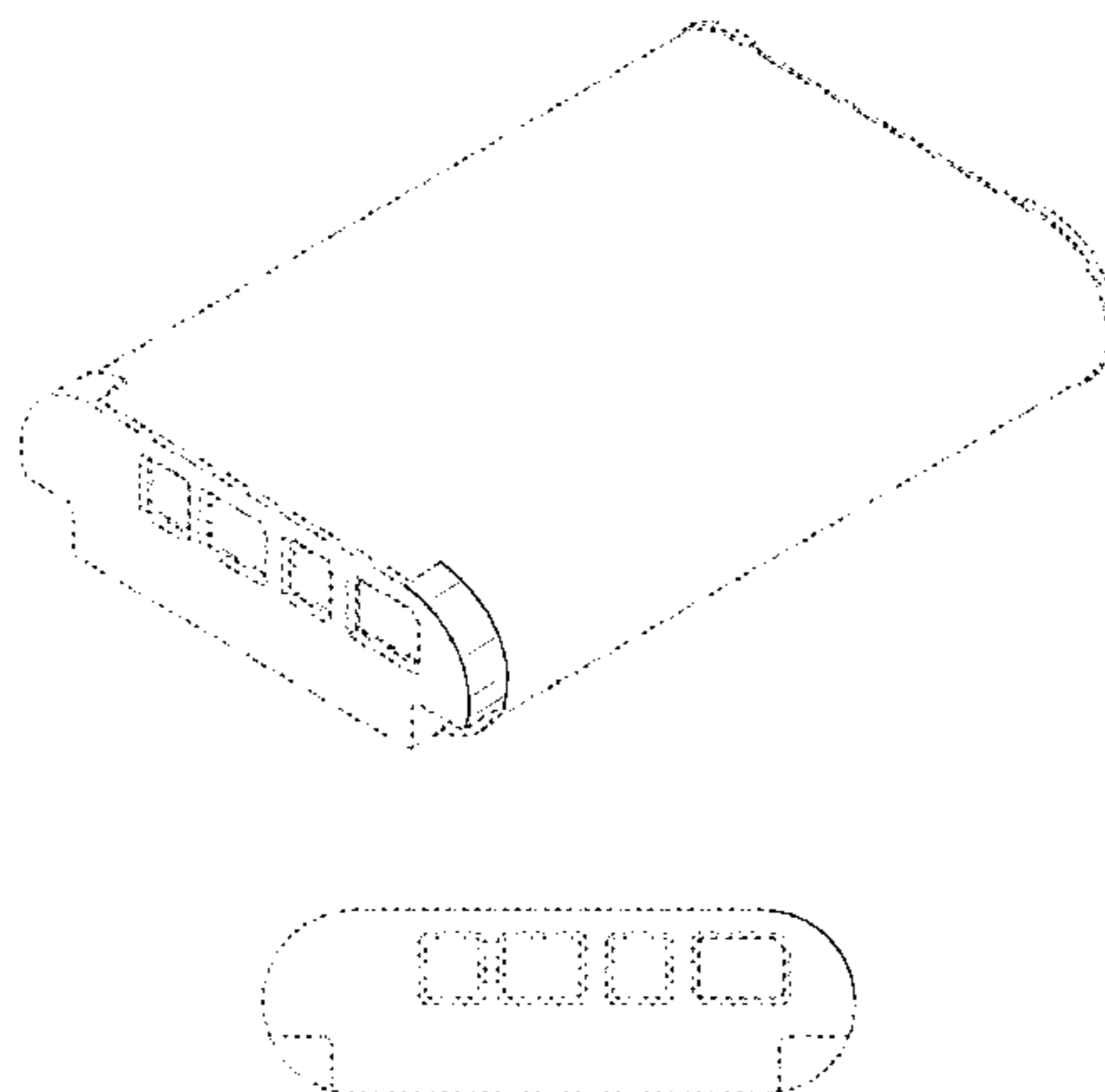
(56) **References Cited**

U.S. PATENT DOCUMENTS

(30) **Foreign Application Priority Data**

- May 24, 2012 (CN) ..... 2012 3 0195617
- May 24, 2012 (CN) ..... 2012 3 0195623
- Jun. 5, 2012 (JP) ..... D2012-013285
- Jun. 5, 2012 (JP) ..... D2012-013286
- Jun. 5, 2012 (JP) ..... D2012-013287
- Jun. 5, 2012 (JP) ..... D2012-013288
- Jun. 5, 2012 (JP) ..... D2012-013289
- Jun. 5, 2012 (JP) ..... D2012-013290
- Jun. 5, 2012 (JP) ..... D2012-013291
- Jun. 5, 2012 (JP) ..... D2012-013292
- Jun. 5, 2012 (JP) ..... D2012-013293
- Jun. 5, 2012 (JP) ..... D2012-013294
- Jun. 5, 2012 (JP) ..... D2012-013295
- Jun. 5, 2012 (JP) ..... D2012-013296
- Jun. 5, 2012 (JP) ..... D2012-013297
- Jun. 5, 2012 (JP) ..... D2012-013298
- Jun. 5, 2012 (JP) ..... D2012-013299

- D235,148 S \* 5/1975 Rowbottam ..... D13/103
- D277,747 S 2/1985 Toth
- 4,576,430 A \* 3/1986 Dufresne ..... 439/429
- D335,277 S 5/1993 Hattori
- D356,291 S 3/1995 Kawamura
- D362,839 S 10/1995 Tamaki
- D400,848 S 11/1998 Clark et al.
- D408,351 S \* 4/1999 Shim ..... D13/103
- D417,860 S 12/1999 Lau
- D426,513 S 6/2000 Toops et al.
- D439,877 S 4/2001 Vacheron et al.
- 6,376,122 B1 \* 4/2002 Cheeseman ..... 429/99
- D473,186 S 4/2003 Grosfeld et al.
- D478,086 S 8/2003 Chuang
- D481,008 S \* 10/2003 Wade ..... D13/103
- D486,789 S 2/2004 Santiago
- D490,370 S 5/2004 Picardo
- D509,182 S 9/2005 Takeshita et al.
- D515,499 S 2/2006 Matsuda et al.
- D516,018 S 2/2006 Ohsako et al.
- D516,019 S \* 2/2006 Ohsako et al. .... D13/103
- D516,503 S 3/2006 Takeshita et al.
- D548,181 S 8/2007 Krieger et al.



# US D749,512 S

Page 2

D564,448 S \* 3/2008 Dewberry ..... D13/110  
D564,449 S \* 3/2008 Dewberry ..... D13/110  
D580,349 S \* 11/2008 Haydvoegel ..... D13/103  
D581,866 S \* 12/2008 Choi et al. .... D13/103  
D582,844 S \* 12/2008 Tanaka ..... D13/103  
7,462,417 B2 12/2008 Moon  
D586,738 S \* 2/2009 Zaremba et al. .... D13/103  
D586,739 S \* 2/2009 Zaremba et al. .... D13/103  
D586,740 S \* 2/2009 Song ..... D13/103  
D586,741 S \* 2/2009 Song ..... D13/103  
D586,742 S \* 2/2009 Song ..... D13/103  
D590,334 S 4/2009 Tatehata et al.  
D590,335 S 4/2009 Tatehata et al.  
D590,336 S 4/2009 Tatehata et al.  
D590,337 S \* 4/2009 Tatehata et al. .... D13/103  
D590,341 S 4/2009 Tatehata et al.  
D590,769 S \* 4/2009 Tatehata et al. .... D13/103  
D592,130 S \* 5/2009 Tatehata et al. .... D13/103  
D600,990 S \* 9/2009 Schrader ..... D8/72  
D601,494 S 10/2009 Otani et al.  
D604,696 S 11/2009 Tasai  
D608,276 S 1/2010 Takeshita et al.  
D618,171 S 6/2010 Tatehata et al.  
D619,959 S 7/2010 Takeshita et al.  
D622,213 S 8/2010 Nomi et al.  
D623,590 S 9/2010 Otani et al.  
D625,262 S \* 10/2010 Lee et al. .... D13/118  
D635,512 S 4/2011 Tatehata et al.  
7,985,501 B2 7/2011 Kim et al.  
D642,980 S 8/2011 Inaba  
7,989,105 B2 8/2011 Suzuki et al.  
D644,988 S \* 9/2011 Finney et al. .... D13/103  
D645,814 S \* 9/2011 Otani et al. .... D13/103  
D646,222 S 10/2011 Tatehata et al.  
D662,473 S 6/2012 Andre et al.  
D669,427 S 10/2012 Ignor et al.  
D686,981 S 7/2013 Koyabu et al.  
D687,777 S 8/2013 Yonishi et al.  
D701,838 S \* 4/2014 Esses ..... D13/144  
D710,796 S \* 8/2014 Ko et al. .... D13/103  
D718,237 S \* 11/2014 Asakura et al. .... D13/110  
D728,471 S \* 5/2015 Alesi et al. .... D13/110  
2004/0053128 A1 3/2004 Smith et al.

2005/0008931 A1 1/2005 Axelrod  
2006/0281002 A1 12/2006 Aoki et al.  
2008/0152994 A1 6/2008 Yamagami et al.  
2008/0305367 A1 12/2008 Baek et al.  
2011/0129697 A1\* 6/2011 Sim et al. .... 429/7  
2011/0250489 A1 10/2011 Baek et al.

## FOREIGN PATENT DOCUMENTS

JP D1355276 S 4/2009  
JP D1405669 S 1/2011  
WO DM/063870 S 7/2003  
WO DM/065508 S 7/2003  
WO DM/069177 S 9/2007

\* cited by examiner

*Primary Examiner* — Rosemary K Tarcza  
(74) *Attorney, Agent, or Firm* — Michael Best & Friedrich LLP

## (57) CLAIM

The ornamental design for a rechargeable battery, as shown and described.

## DESCRIPTION

FIG. 1 is a front, top, right perspective view of a rechargeable battery showing our new design;  
FIG. 2 is a front, bottom, left perspective view thereof;  
FIG. 3 is a front elevational view thereof;  
FIG. 4 is a right side elevational view thereof; and,  
FIG. 5 is a top plan view thereof.  
Broken lines illustrate unclaimed portions of the rechargeable battery and form no part of the claimed design. Dot-dash broken lines define the boundaries of, but not included in, the claimed design.

**1 Claim, 3 Drawing Sheets**

FIG.1

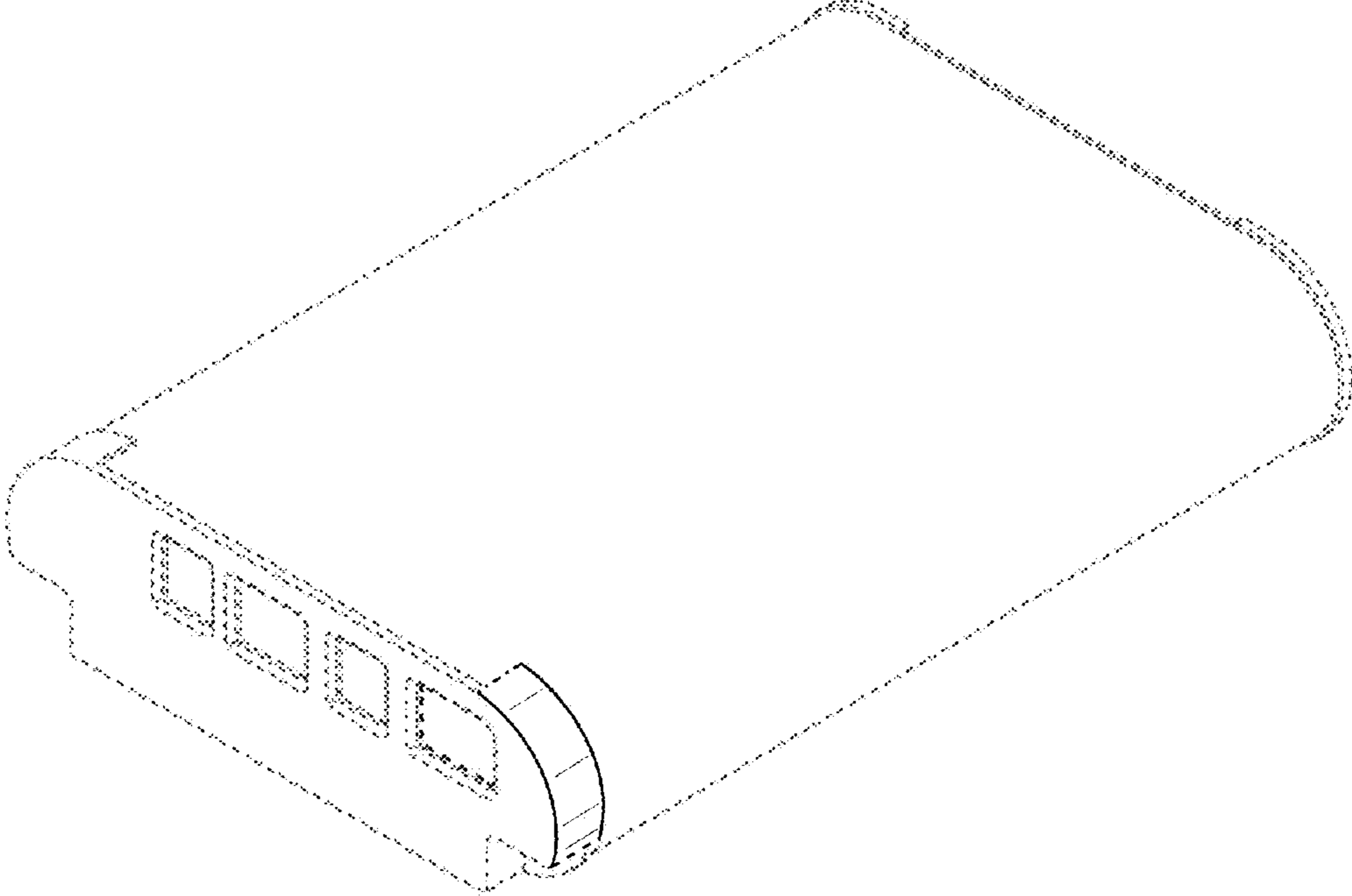


FIG.2

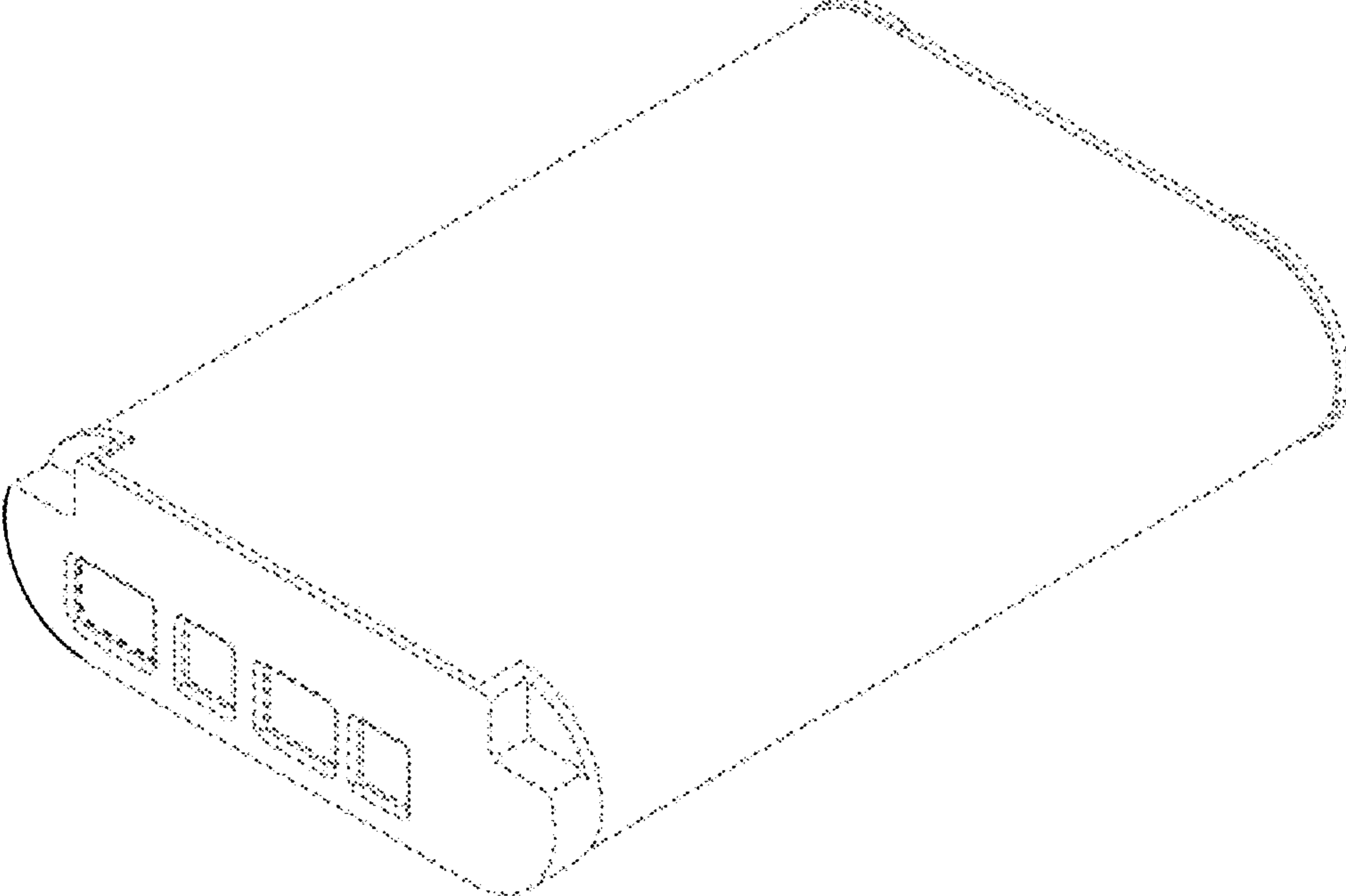


FIG.3

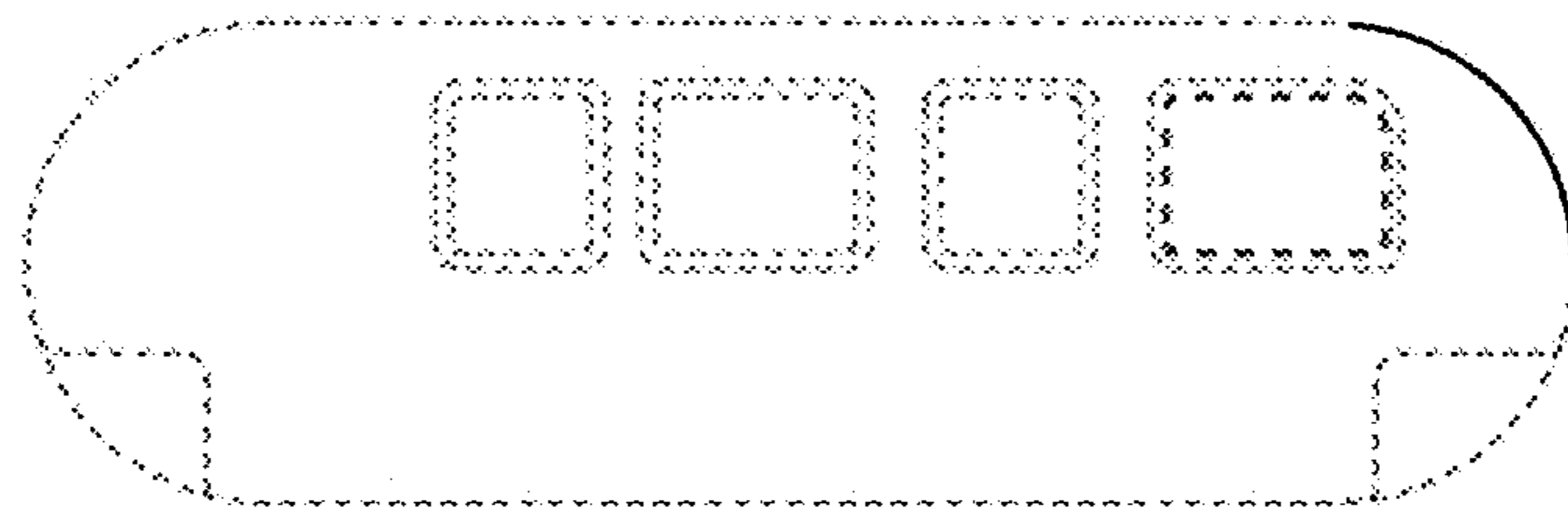


FIG.4

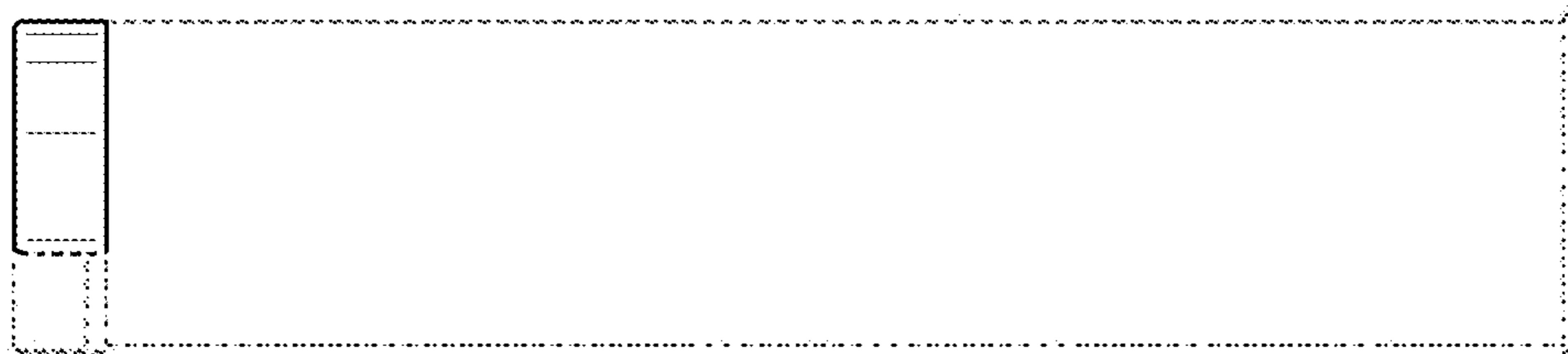


FIG.5

