



US00D749511S

(12) **United States Design Patent**
Jenison et al.

(10) **Patent No.:** **US D749,511 S**
(45) **Date of Patent:** **** Feb. 16, 2016**

(54) **ENGINE POWERED GENERATOR**

5,676,103 A 10/1997 Tsunoda et al.
5,937,819 A 8/1999 Kouchi et al.
5,977,667 A 11/1999 Hirose
6,028,369 A 2/2000 Hirose et al.
6,067,945 A 5/2000 Fukuda et al.

(71) Applicant: **Champion Power Equipment, Inc.**,
Santa Fe Springs, CA (US)

(72) Inventors: **Leigh Jenison**, Hartland, WI (US); **Scott J. Collins**, Mequon, WI (US); **Craig Fluegge**, Menomonee Falls, WI (US); **Dorrance Noonan**, Whitefish Bay, WI (US); **Mark Sarder**, Waukesha, WI (US)

(Continued)

FOREIGN PATENT DOCUMENTS

FR 2572461 A1 5/1986
JP 2001012497 A 1/2001

(Continued)

(73) Assignee: **Champion Power Equipment, Inc.**,
Santa Fe Springs, CA (US)

OTHER PUBLICATIONS

(**) Term: **14 Years**

Owner's Manual and Operating Instructions, Portable Generator
6000 Starting Watts/5000 Running Watts, Model 41115, pp. 1-2.

(21) Appl. No.: **29/460,436**

(Continued)

(22) Filed: **Jul. 10, 2013**

(51) **LOC (10) Cl.** **13-01**

(52) **U.S. Cl.**

USPC **D13/114; D13/116**

(58) **Field of Classification Search**

USPC D13/116, 112, 113, 114, 122, 184, 199;
D6/329, 449, 462; D15/33; 290/1 A,
290/1 B, 1 R; 307/150, 153; 310/50, 89, 158,
310/418; 322/1, 2 R, 10, 14, 16, 40, 42, 87
CPC F02B 63/00; F02B 63/04; F02B 63/043;
F02B 63/048; F02B 63/045; H02K 5/00;
H02K 7/18

See application file for complete search history.

Primary Examiner — Derrick Holland

(74) *Attorney, Agent, or Firm* — Stetina Brunda Garred &
Brucker; Lowell Anderson

(57) **CLAIM**

The ornamental design for an engine powered generator, as
shown and described.

DESCRIPTION

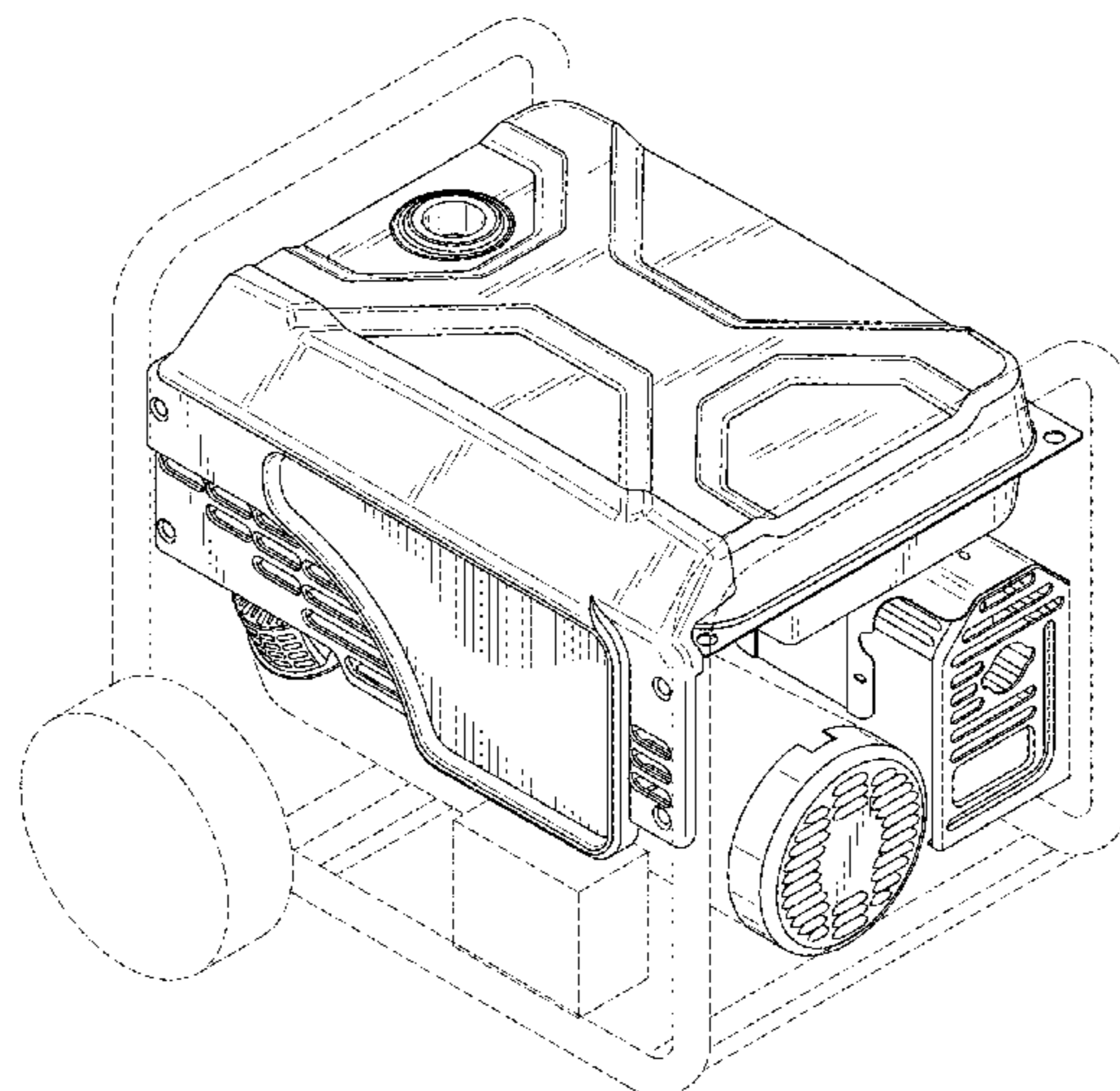
FIG. 1 is a front, right and top perspective view of an engine
powered generator showing our new design;
FIG. 2 is a front elevation view thereof;
FIG. 3 is a right side elevation view thereof;
FIG. 4 is a back, left and top perspective view;
FIG. 5 is a left side elevation view thereof;
FIG. 6 is a back elevation view thereof;
FIG. 7 is a top plan view thereof; and,
FIG. 8 is a bottom plan view thereof.
The broken lines shown represent unclaimed subject matter
and form no part of the claimed design.

(56) **References Cited**

U.S. PATENT DOCUMENTS

D276,997 S 1/1985 Mikado
D278,425 S 4/1985 Toshihiko
D282,071 S 1/1986 Nakamura
D282,734 S 2/1986 Shibuya
4,813,385 A 3/1989 Yamaguchi et al.
4,941,443 A 7/1990 Yamaguchi et al.

1 Claim, 8 Drawing Sheets



(56)

References Cited

U.S. PATENT DOCUMENTS

D441,714	S	5/2001	Yuzuriha	
D449,051	S	10/2001	Miyashita	
6,331,740	B1	12/2001	Morohoshi et al.	
6,362,533	B1	3/2002	Morohoshi et al.	
D457,891	S	5/2002	Matre	
6,489,690	B1	12/2002	Hatsugai et al.	
6,520,141	B2	2/2003	Ryczek et al.	
6,525,430	B1	2/2003	Asai et al.	
D472,519	S *	4/2003	Buck	D13/114
D478,042	S	8/2003	Yagushi et al.	
D486,447	S *	2/2004	Fan	D13/114
D489,327	S	5/2004	Imai	
6,758,169	B2 *	7/2004	Suzuki et al.	123/3
6,837,475	B2	1/2005	Ogata et al.	
D503,723	S	4/2005	Giddens	
6,892,714	B2	5/2005	Kashima et al.	
7,086,389	B2	8/2006	Yamada	
7,104,258	B2	9/2006	Yamada et al.	
D563,320	S *	3/2008	Buck	D13/116
D570,777	S *	6/2008	Glass et al.	D13/116
D629,748	S *	12/2010	van Deursen	D13/116
D673,980	S	1/2013	Tiefenthaler	
2006/0266338	A1	11/2006	Kashima et al.	
2007/0000314	A1	1/2007	Shinogi et al.	
2008/0202447	A1 *	8/2008	Kochi et al.	123/2
2008/0252080	A1	10/2008	Xiao	
2013/0019822	A1	1/2013	Raasch et al.	

FOREIGN PATENT DOCUMENTS

JP	2005009387	A	1/2005
JP	2008133747	A	6/2008

OTHER PUBLICATIONS

Owner's Manual and Operating Instructions, Portable Generator 6800 Starting Watts/5500 Running Watts Recoil Start, Model 41135, pp. 1-5.

Owners Manual and Operating Instructions, Portable Generator 6500 Peak Watts/5000 Running Watts, Model 41152, pp. 1-3.
 Owner's Manual and Operating Instructions, Portable Generator 6250 Starting Watts/5000 Rated Watts, Model 41154, pp. 1-5.
 Owner's Manual and Operating Instructions, Portable Generator 7000 Peak Watts/6000 Running Watts, Model 41311, pp. 1-3.
 Owner's Manual and Operating Instructions, Portable Generator 8250 Starting Watts/6500 Rated Watts, Model 41332, pp. 1-31.
 Owner's Manual and Operating Instructions, Portable Generator 7800 Starting Watts/6500 Rated Watts, Model 41351, pp. 1-5.
 Owners Manual and Operating Instructions, Portable Generator 9000 Starting Watts/7000 Running Watts, Model 41532, pp. 1-5.
 Owner's Manual and Operating Instructions, Portable Generator 9375 Starting Watts/7500 Running Watts, Model 41537, pp. 1-29.
 Owner's Manual and Operating Instructions, Portable Generator 9000 Starting Watts/7200 Rated Watts, Model 41552, pp. 1-5.
 Owner's Manual and Operating Instructions, Portable Generator 1500 Starting Watts/1200 Rated Watts, Model 42431, pp. 1-28.
 Owner's Manual and Operating Instructions, Portable Generator 1500 Starting Watts/1200 Rated Watts, Model 42451, pp. 1-5.
 Owner's Manual and Operating Instructions, Portable Generator 4000 Peak Watts/3500 Running Watts, Model 46514, pp. 1-30.
 Owner's Manual and Operating Instructions, Portable Generator 4000 Peak Watts/3500 Running Watts, Model 46516, pp. 1-3.
 Owner's Manual and Operating Instructions, Portable Generator 4000 Starting Watts/3500 Running Watts, Model 46539, pp. 1-5.
 Owner's Manual and Operating Instructions, Portable Generator 4000 Starting Watts/3000 Rated Watts, Model 46551, pp. 1-5.
 Owner's Manual and Operating Instructions, Portable Generator 4000 Starting Watts/3000 Rated Watts, Model 46555, pp. 1-5.
 Owner's Manual and Operating Instructions, Portable Generator 4000 Starting Watts/3000 Max Rated Watts, Model 46558, pp. 1-5.

* cited by examiner

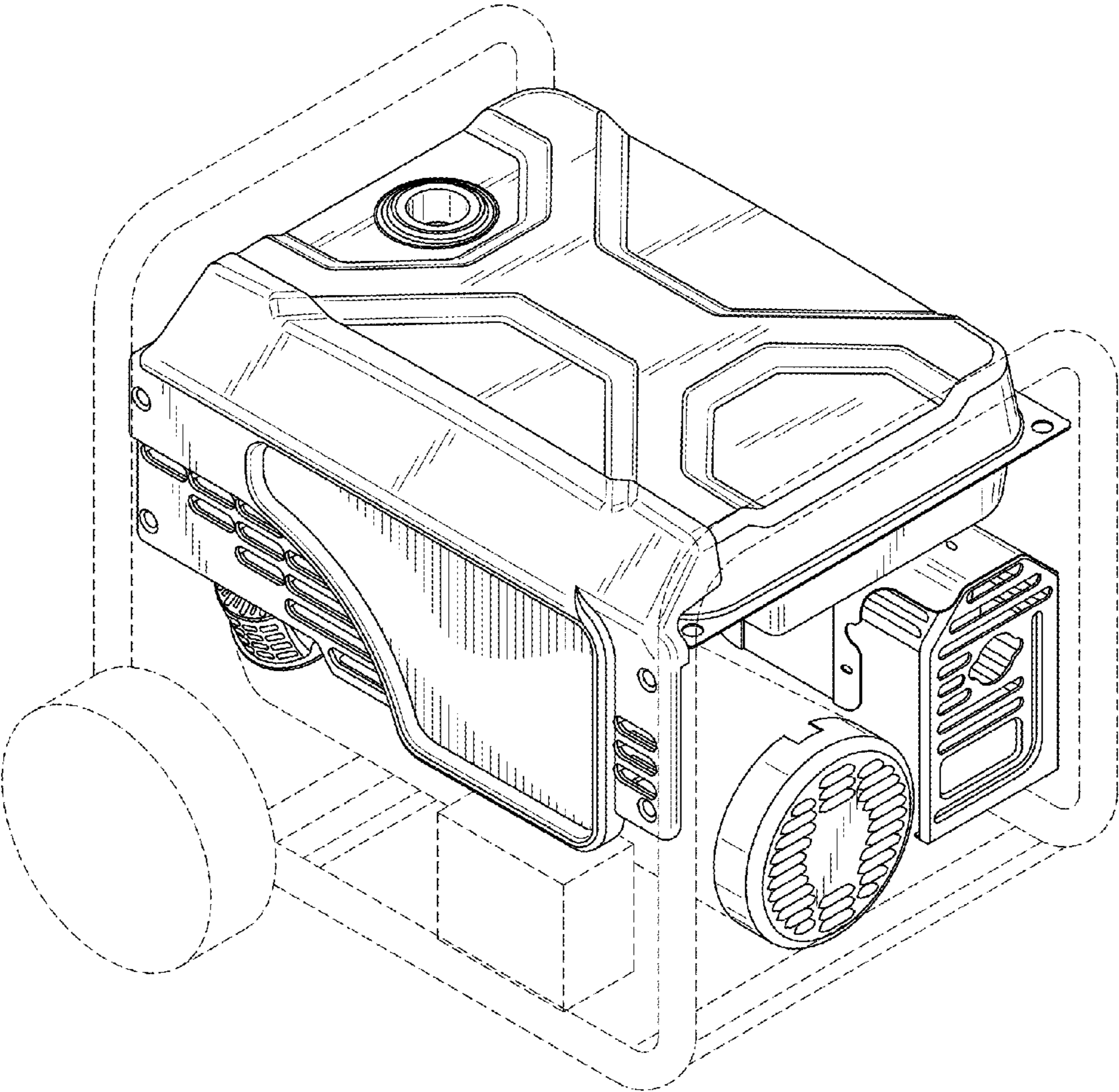


Fig. 1

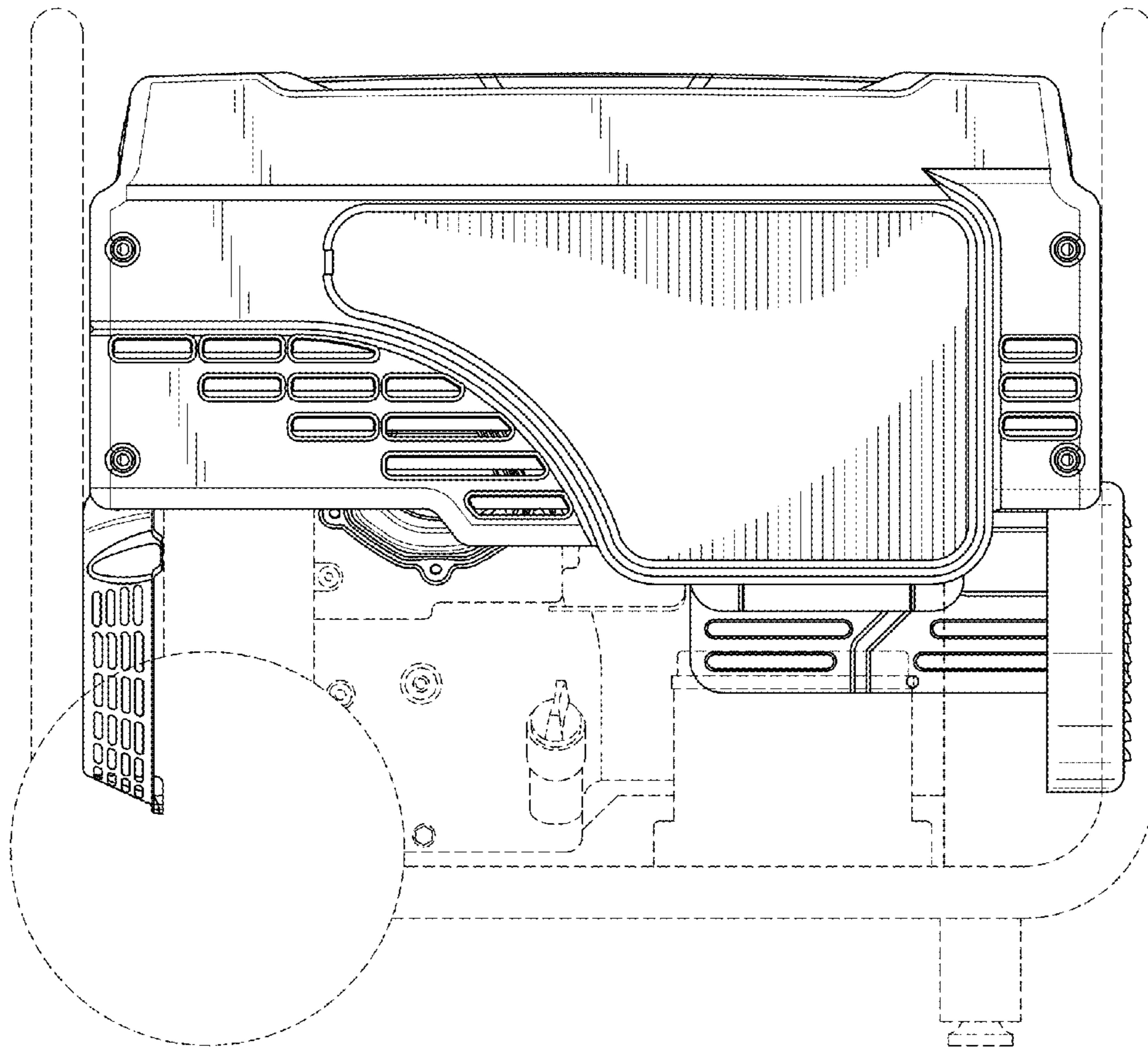


Fig. 2

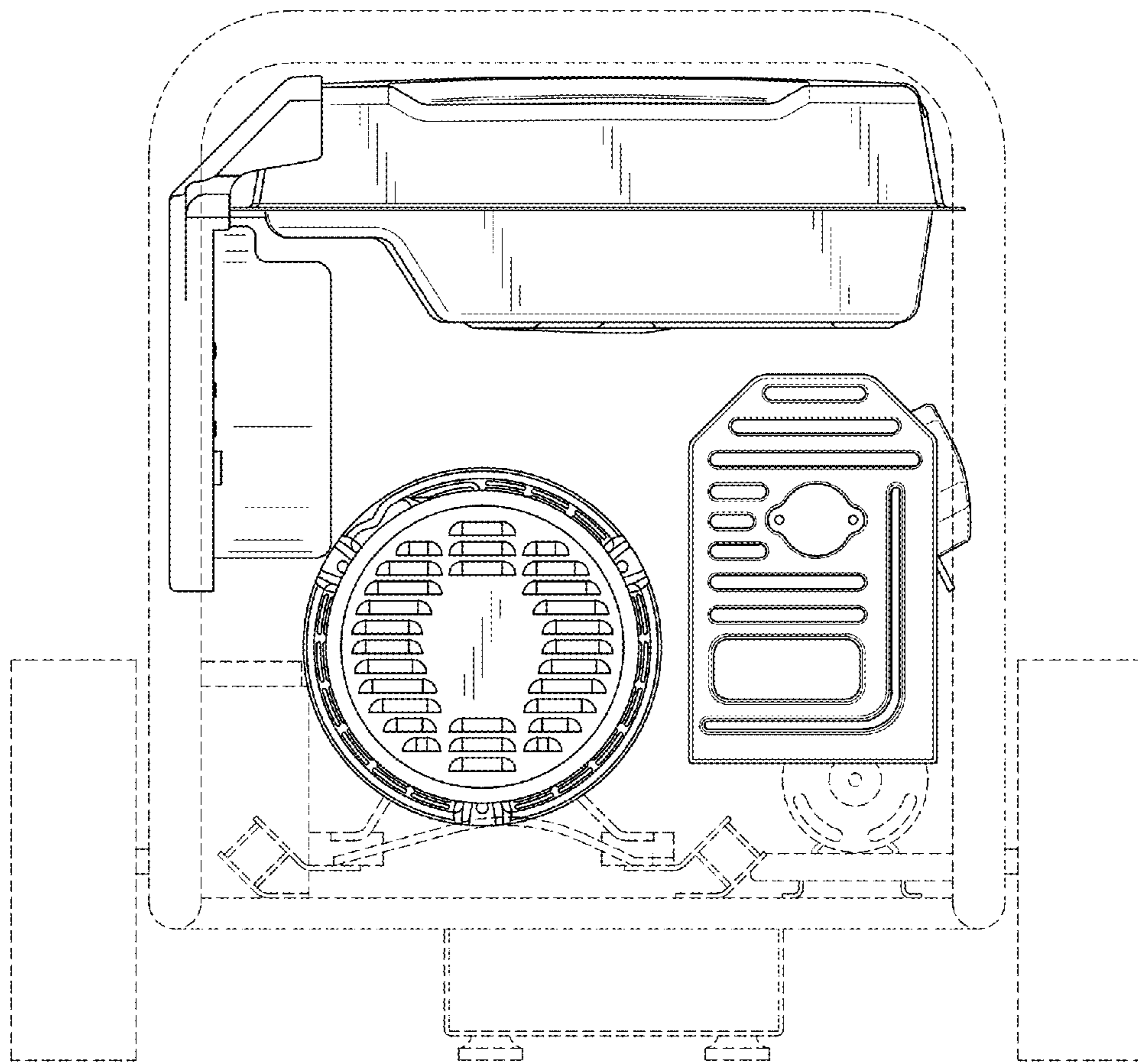


Fig. 3

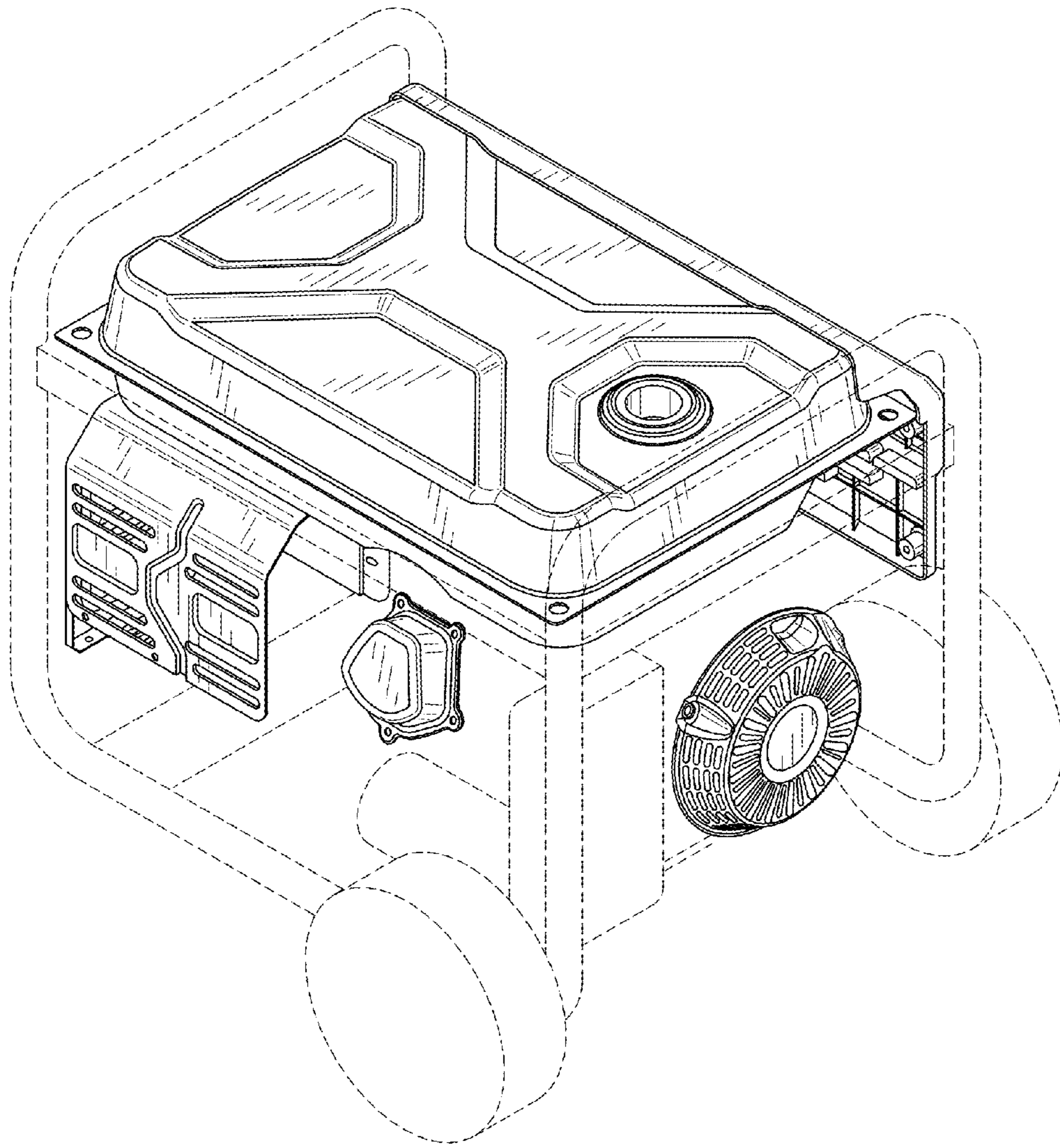


Fig. 4

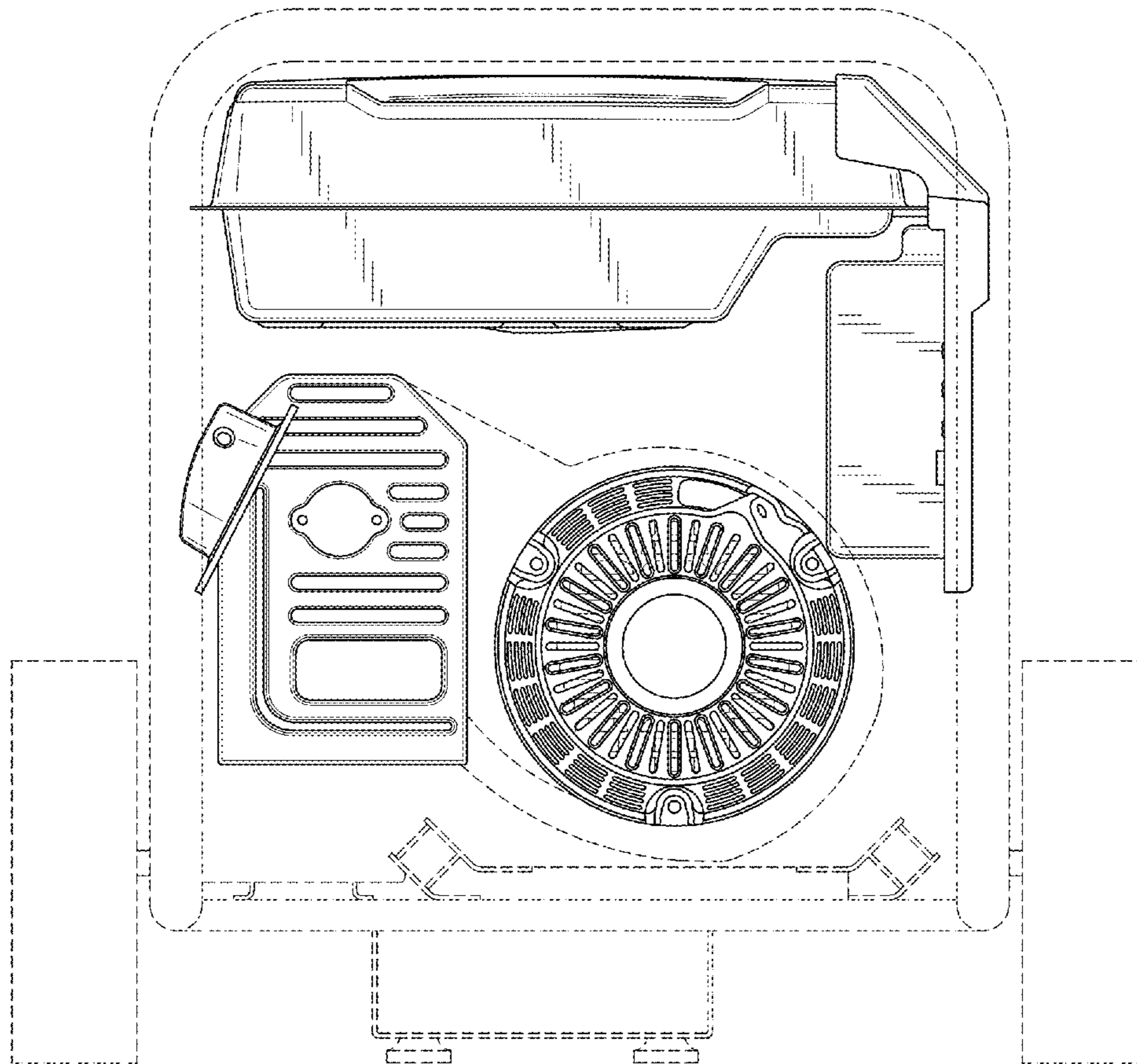


Fig. 5

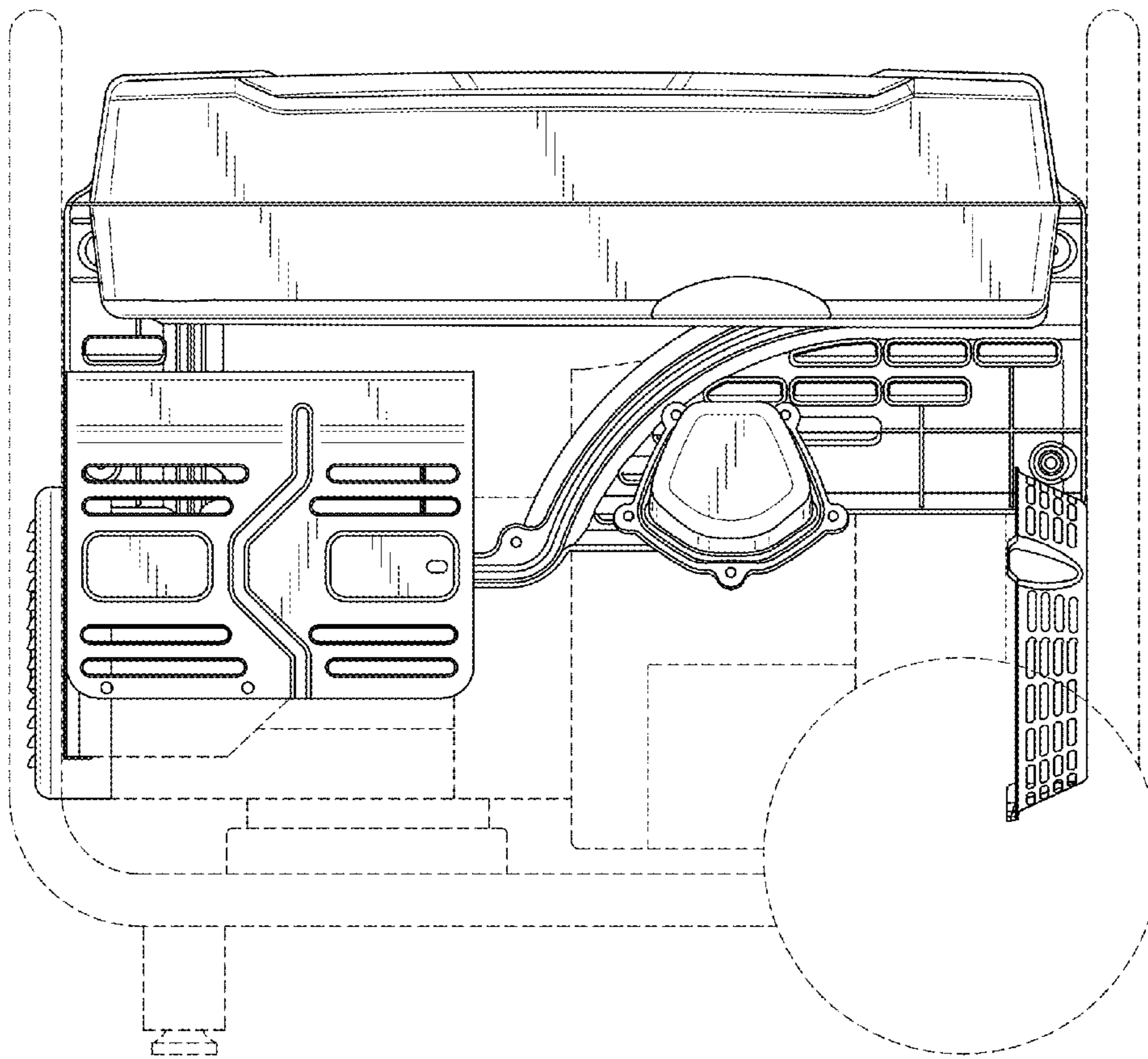


Fig. 6

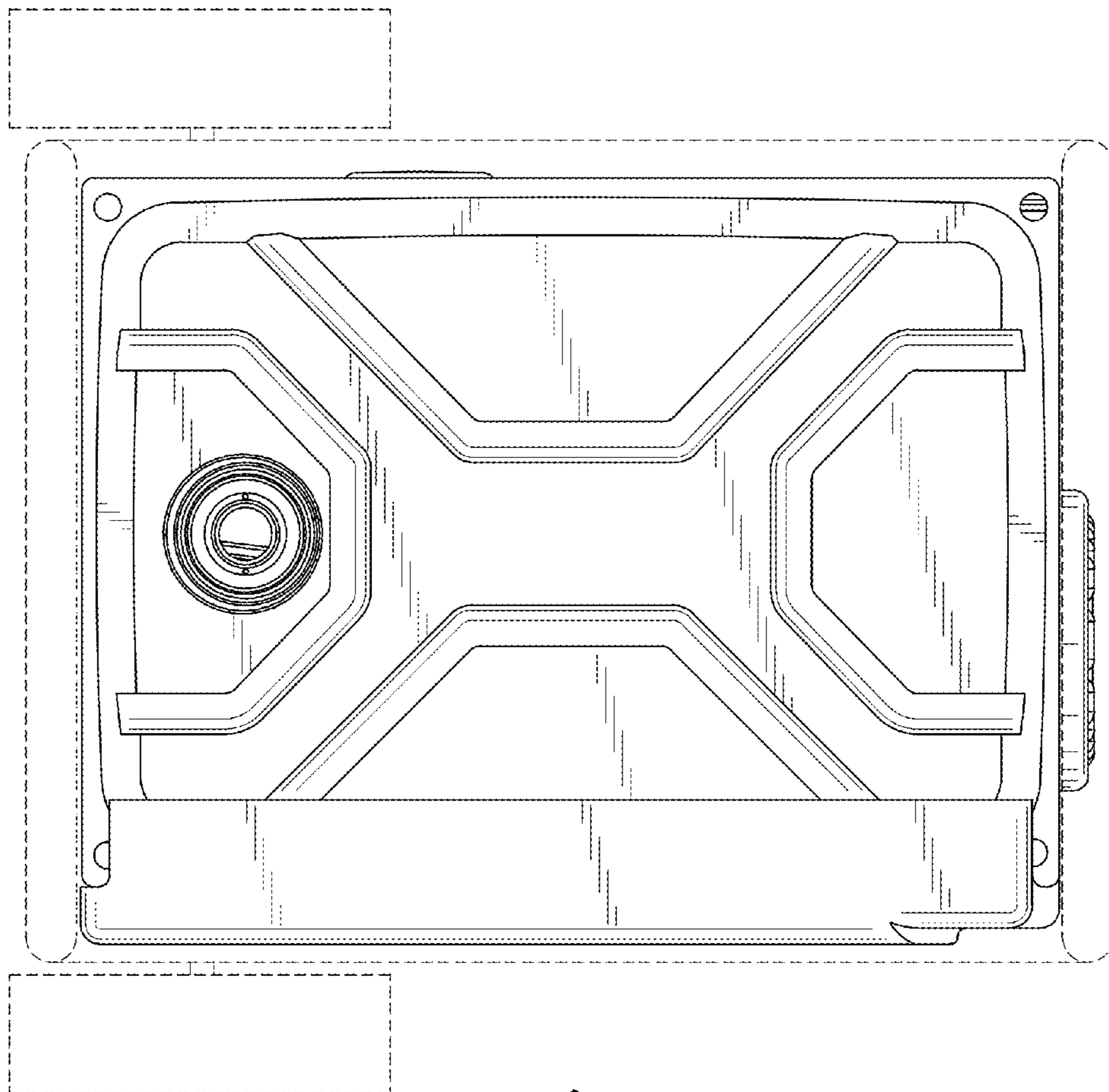


Fig. 7

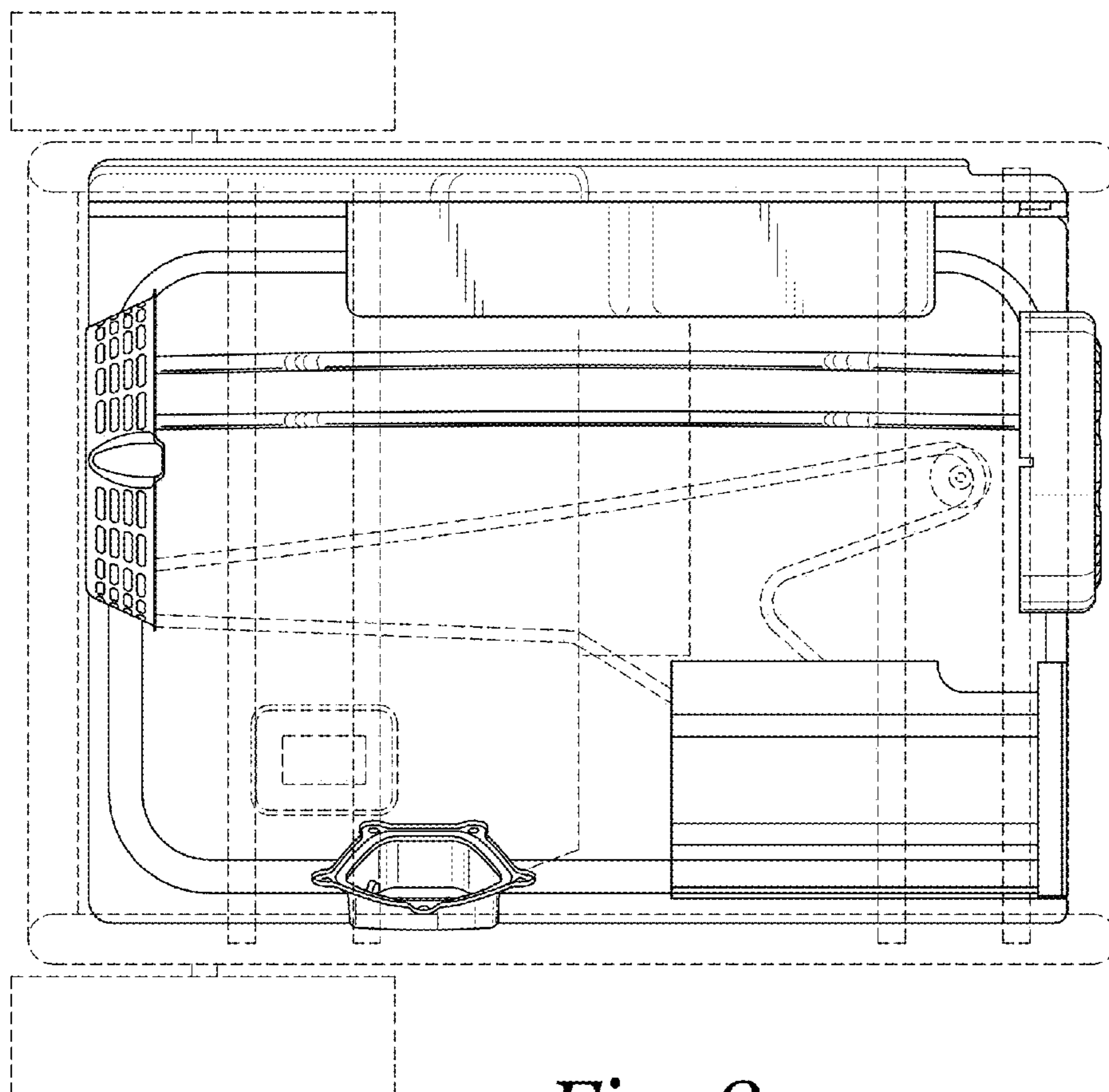


Fig. 8