



US00D749508S

(12) **United States Design Patent**  
**Ireland et al.**

(10) **Patent No.:** **US D749,508 S**

(45) **Date of Patent:** **\*\* Feb. 16, 2016**

(54) **CHARGING UNIT**

H01M 2200/30; H01M 2250/30; H01M 2250/40; B60L 11/182

(71) Applicant: **Dyson Technology Limited**, Wiltshire (GB)

See application file for complete search history.

(72) Inventors: **Simon Edward Ireland**, Tonbridge (GB); **Leanne Joyce Garner**, Bristol (GB)

(56) **References Cited**

(73) Assignee: **Dyson Technology Limited**, Malmesbury, Wiltshire (GB)

U.S. PATENT DOCUMENTS

(\*\*) Term: **14 Years**

(21) Appl. No.: **29/500,412**

(22) Filed: **Aug. 25, 2014**

(30) **Foreign Application Priority Data**

Feb. 25, 2014 (EM) ..... 002412221-0001

(51) **LOC (10) Cl.** ..... **13-02**

(52) **U.S. Cl.**  
USPC ..... **D13/108**

(58) **Field of Classification Search**  
USPC ..... D13/102-110, 118-119, 184, 199, 133, D13/144; D14/251, 253, 432, 434, 356, D14/155; D15/9; 439/300, 620.01, 638, 439/668-669, 675, 825; 320/107-115  
CPC ..... Y02E 60/12; Y02E 60/10; Y02E 60/122; Y02E 60/124; Y02E 60/50; Y02T 90/14; Y02T 90/122; Y02T 90/128; Y02T 90/163; H02J 7/025; H02J 7/0042; H02J 7/0044; H02J 7/0045; H02J 7/0003; H02J 7/00; H02J 7/0011; H02J 7/0013; H02J 7/0054; H02J 7/0055; H02J 7/0057; H02J 2007/0062; H01F 38/14; H01R 13/6675; H01M 2/02; H01M 2/022; H01M 2/0202; H01M 2/0207; H01M 2/0212; H01M 2/1061; H01M 2/1022; H01M 2/1055; H01M 2/1066; H01M 2/105; H01M 2/204; H01M 10/44; H01M 10/46; H01M 10/425; H01M 10/465; H01M 10/482; H01M 10/4257; H01M 10/0436; H01M 10/48;

D516,562 S	3/2006	Solomon et al.	
D520,013 S	5/2006	Yang	
D607,817 S	1/2010	Tan	
D635,918 S	4/2011	Le et al.	
D637,952 S	5/2011	Tan	
D642,519 S	8/2011	Woo et al.	
D643,842 S *	8/2011	Marshall	D14/315
D644,645 S	9/2011	Huang et al.	
D674,336 S	1/2013	Suzuka et al.	
D674,337 S	1/2013	Au Yeung	
D689,869 S *	9/2013	Bae	D14/434
D690,647 S	10/2013	Huang et al.	
D693,296 S	11/2013	Lin et al.	
D703,133 S *	4/2014	Ireland	D13/108
D735,709 S *	8/2015	Daniel	D14/341
2009/0051319 A1	2/2009	Fang et al.	

\* cited by examiner

*Primary Examiner* — Rosemary K Tarcza

*Assistant Examiner* — Sanjeev Paul

(74) *Attorney, Agent, or Firm* — Morrison & Foerster LLP

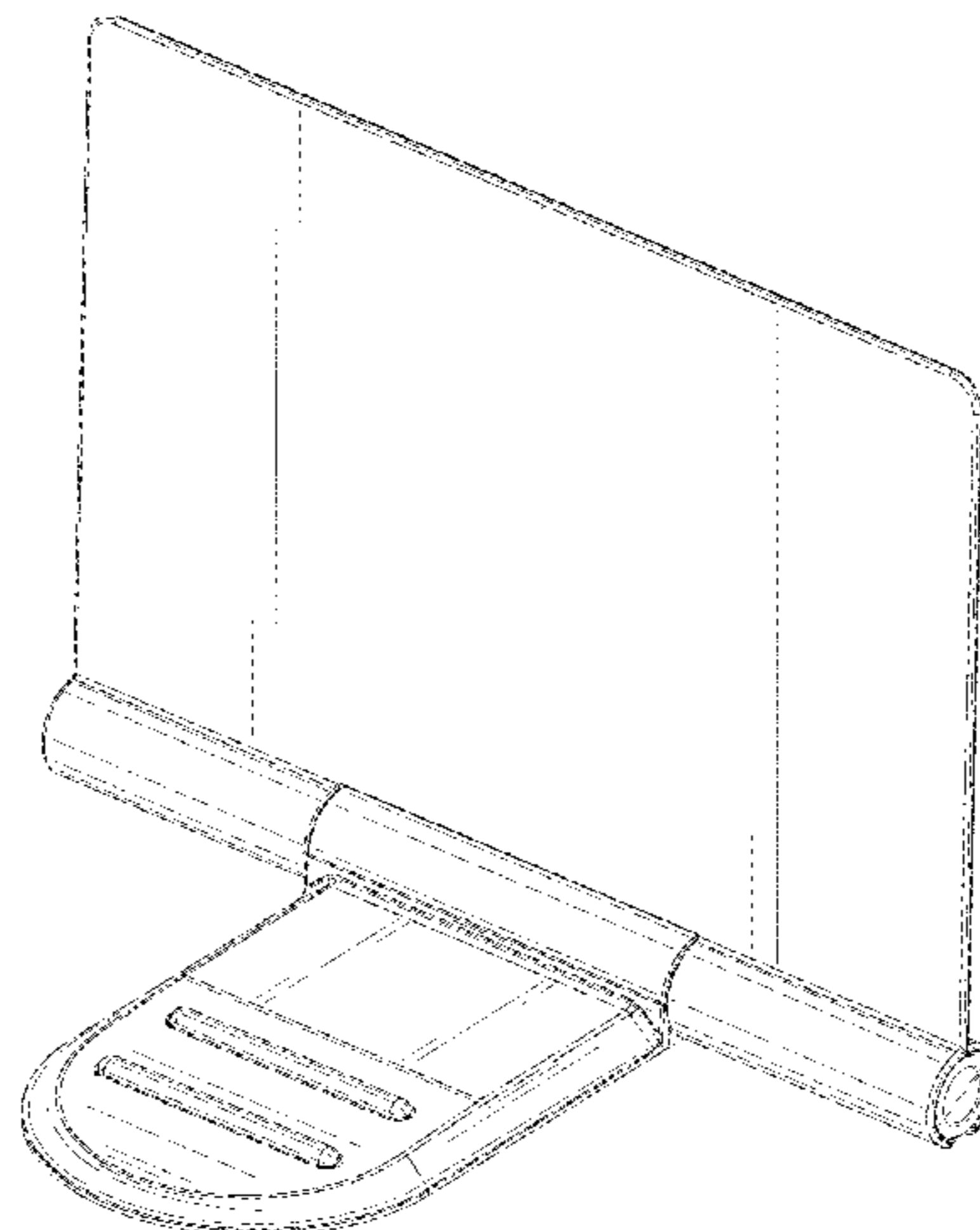
(57) **CLAIM**

The ornamental design for a charging unit, as shown and described.

**DESCRIPTION**

FIG. 1 is a perspective front view of a charging unit showing our new design;  
FIG. 2 is a perspective rear view of FIG. 1; and  
FIG. 3 is a front view thereof.  
FIG. 4 is a rear view thereof.  
FIG. 5 is a top view thereof.  
FIG. 6 is a bottom view thereof; and,  
FIG. 7 is a side view thereof.

**1 Claim, 7 Drawing Sheets**



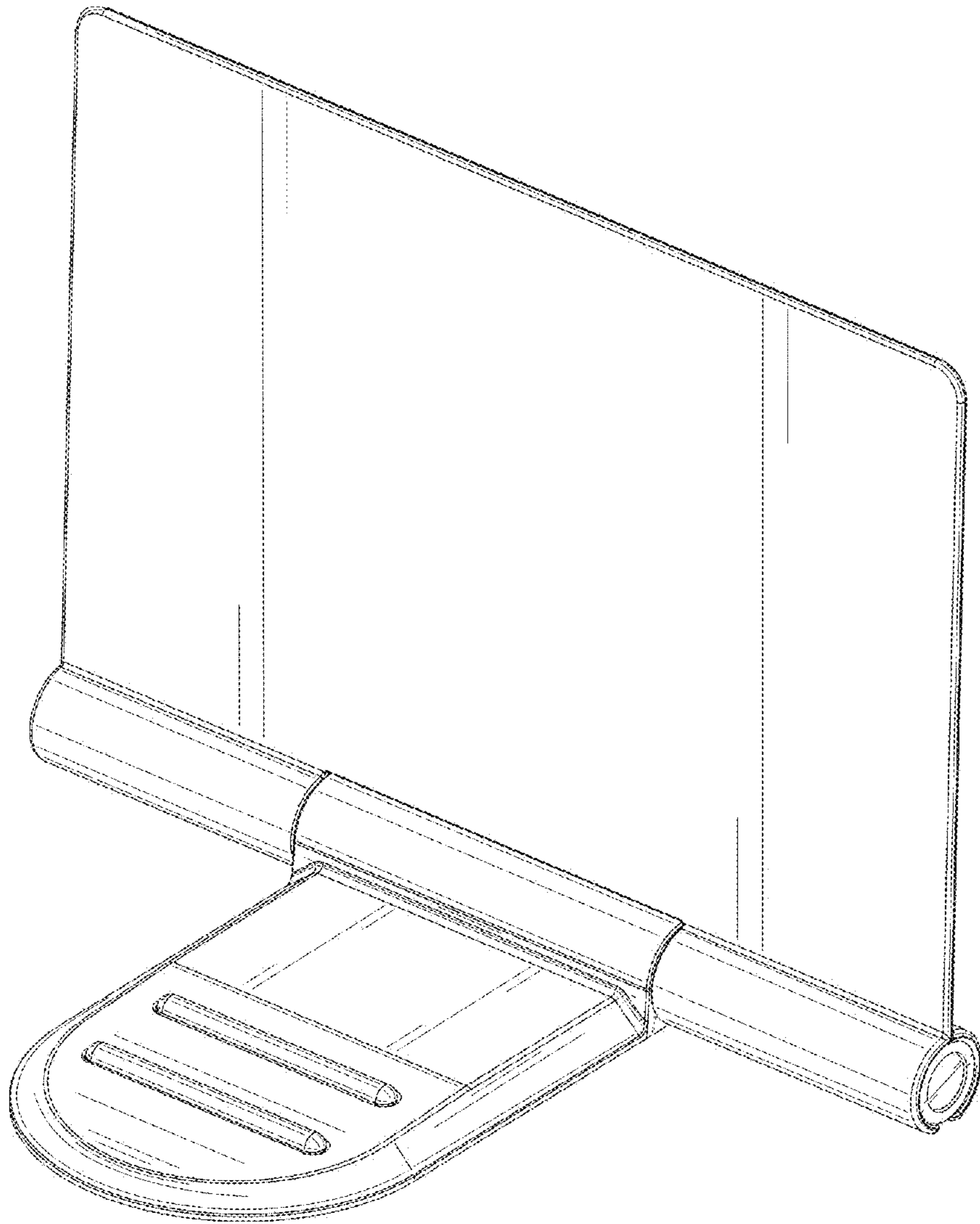


FIG. 1

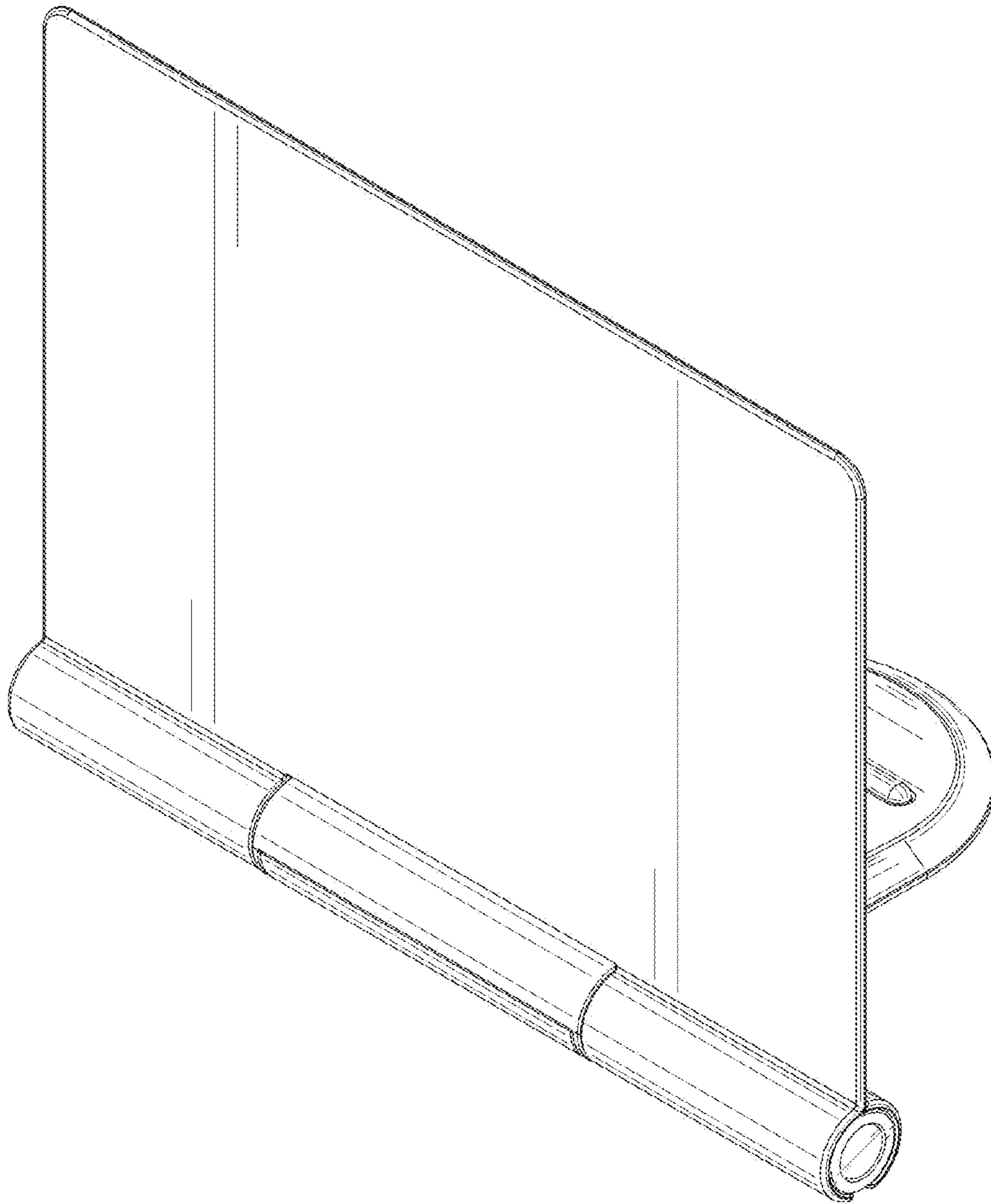


FIG. 2

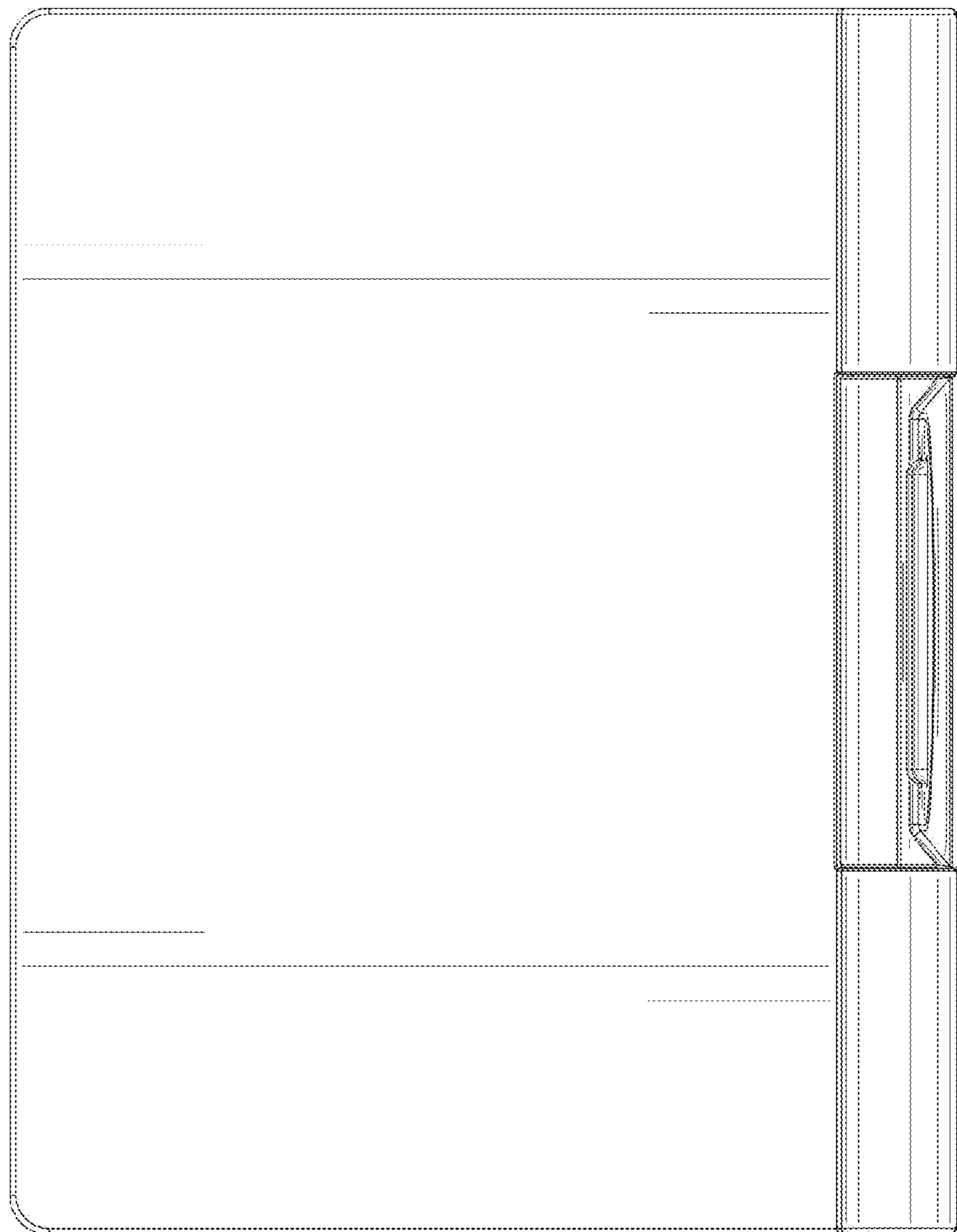


FIG. 3

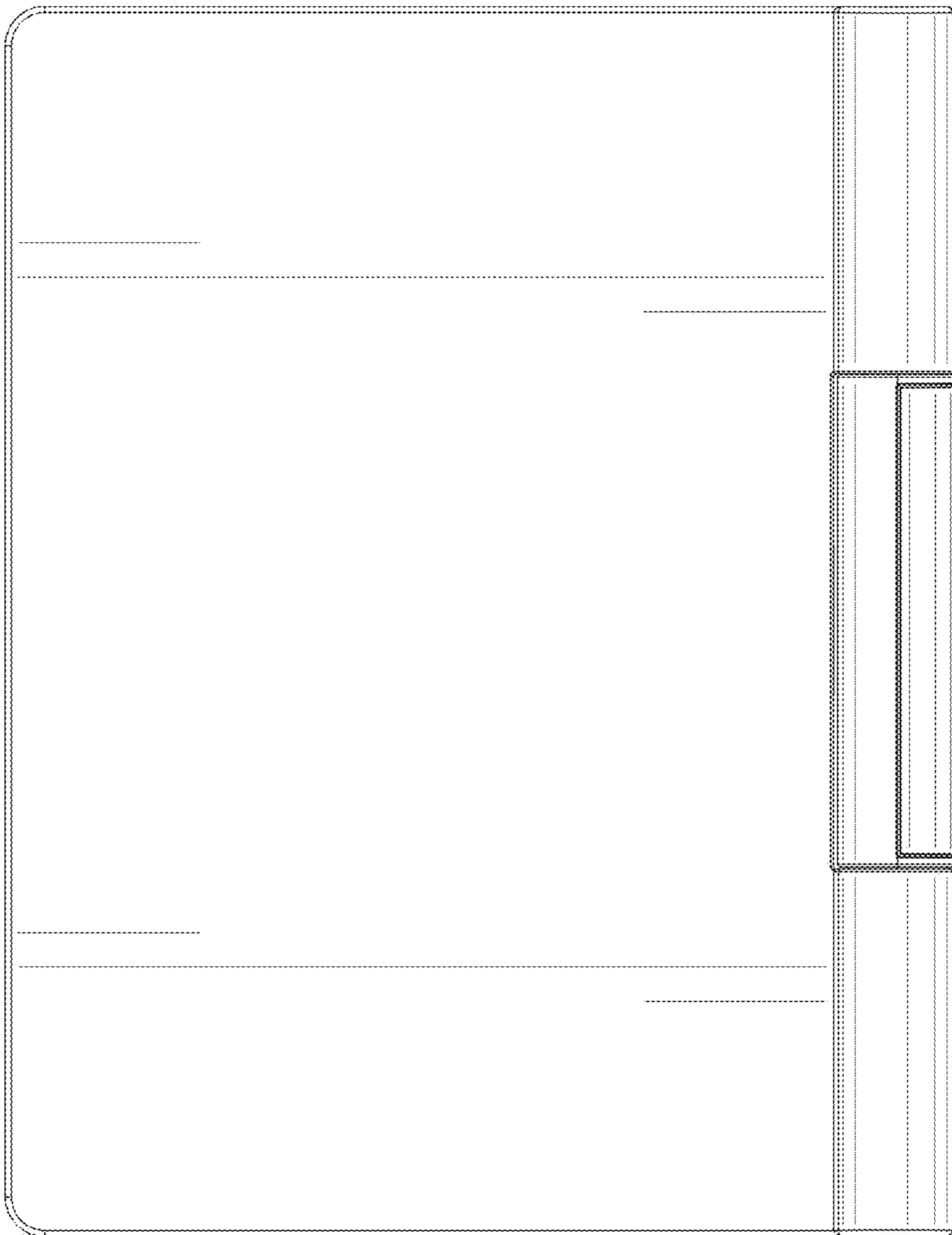


FIG. 4

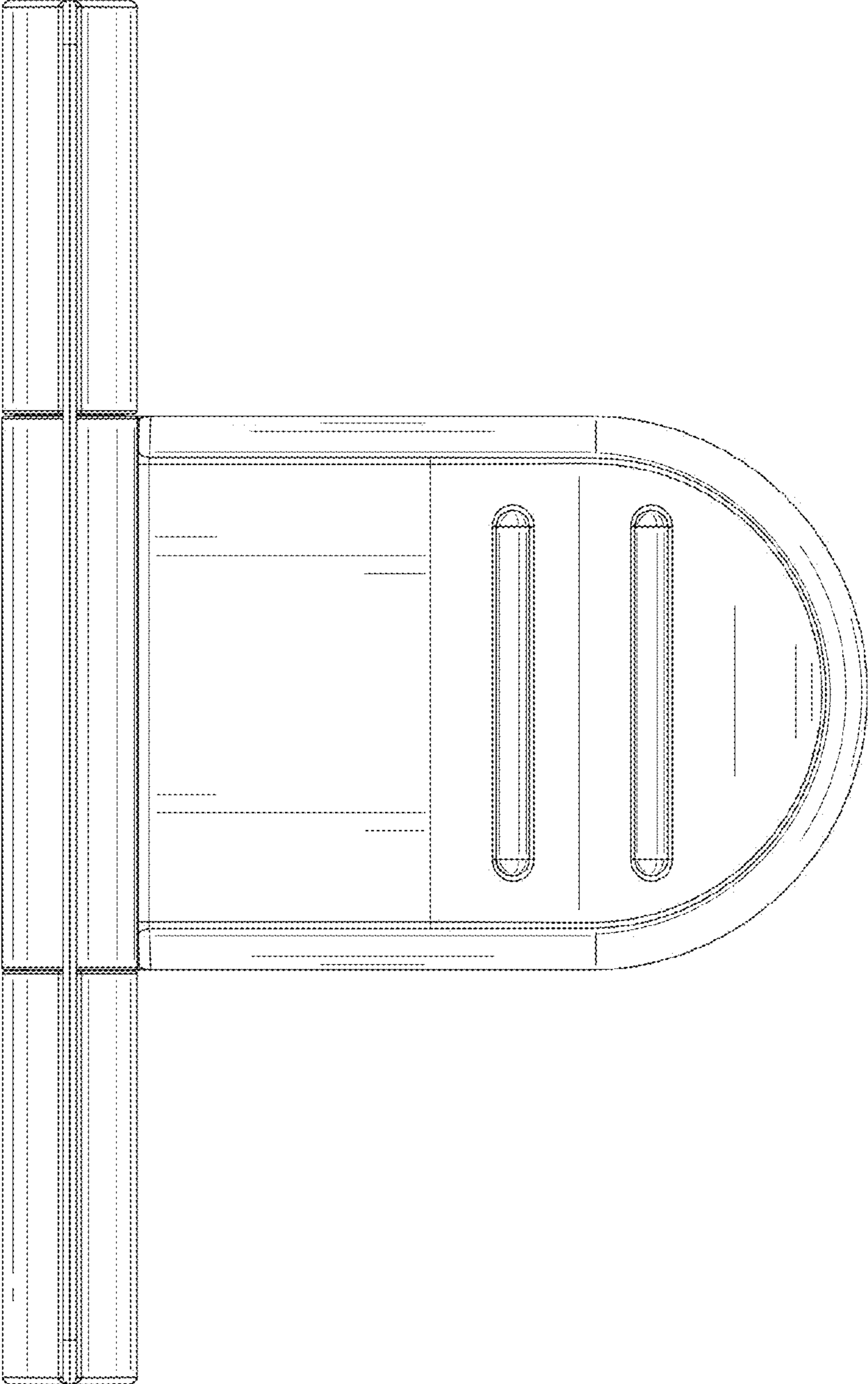


FIG. 5

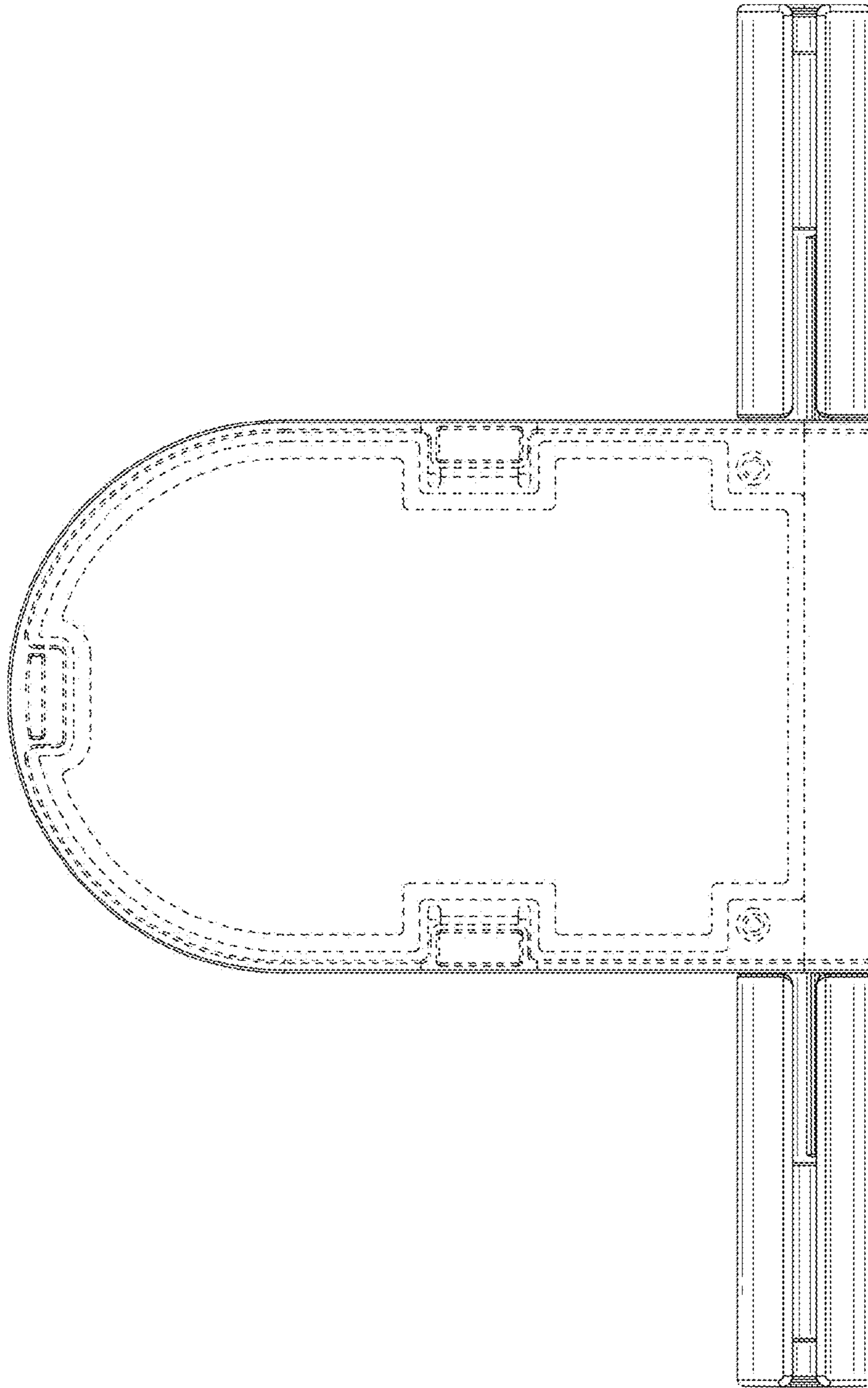


FIG. 6

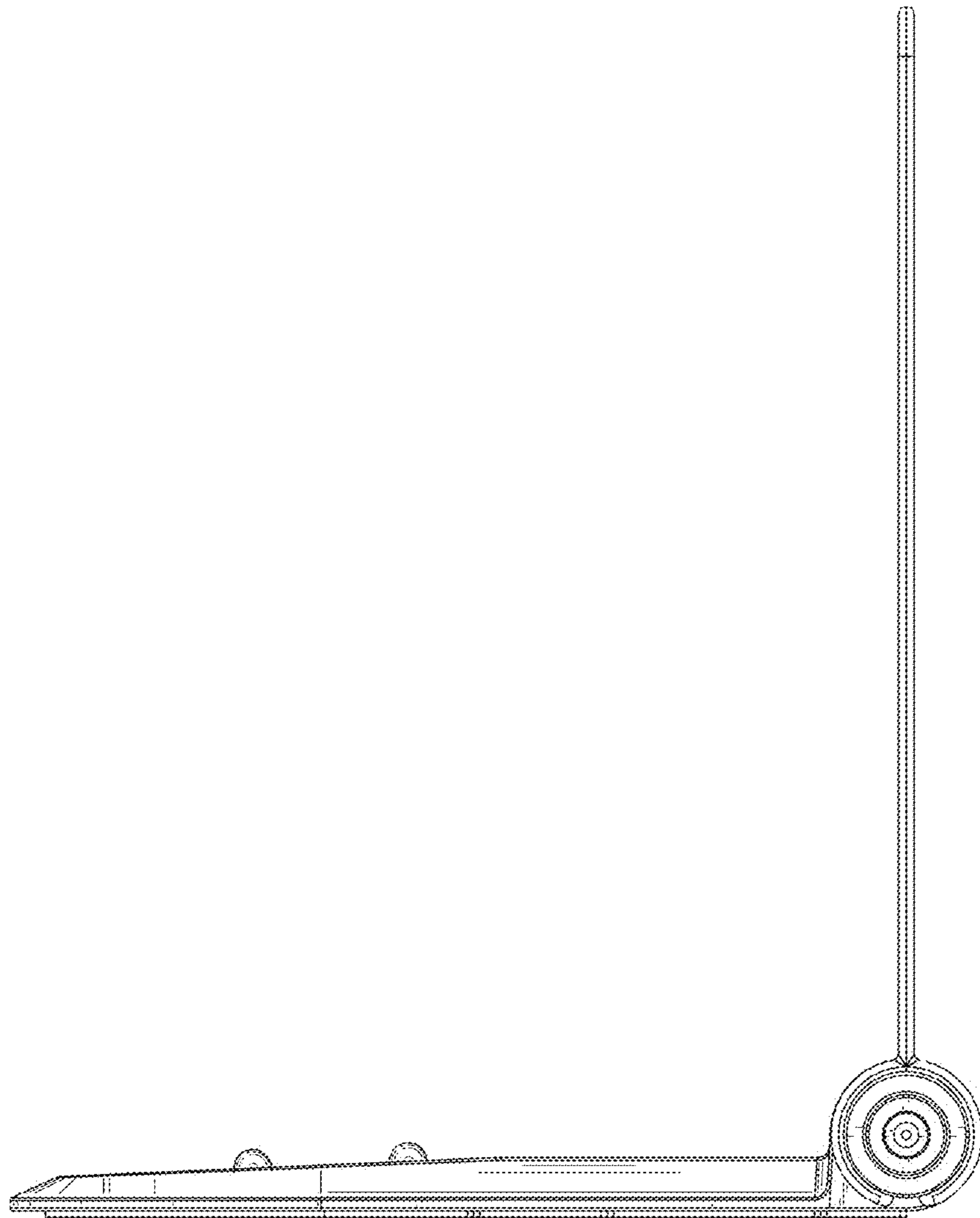


FIG. 7