



US00D749506S

(12) **United States Design Patent**
Morgan

(10) **Patent No.:** **US D749,506 S**

(45) **Date of Patent:** **** Feb. 16, 2016**

(54) **PORTABLE BATTERY CHARGER**

(71) Applicant: **Brand New Days Limited**, Kowloon (HK)

(72) Inventor: **Jeremy Morgan**, Paris (FR)

(73) Assignee: **Brand New Days Limited**, Kowloon (HK)

(**) Term: **14 Years**

(21) Appl. No.: **29/499,166**

(22) Filed: **Aug. 12, 2014**

(51) **LOC (10) Cl.** **13-02**

(52) **U.S. Cl.**
USPC **D13/108**

(58) **Field of Classification Search**
USPC D13/102-110, 118-119, 184, 199, 133, D13/144; D14/251, 253, 432, 434, 356, D14/155; D15/9; 439/300, 620.01, 638, 439/668-669, 675, 825; 320/107-115
CPC Y02E 60/12; Y02E 60/10; Y02E 60/122; Y02E 60/124; Y02E 60/50; Y02T 90/14; Y02T 90/122; Y02T 90/128; Y02T 90/163; H02J 7/025; H02J 7/0042; H02J 7/0044; H02J 7/0045; H02J 7/0003; H02J 7/00; H02J 7/0011; H02J 7/0013; H02J 7/0054; H02J 7/0055; H02J 7/0057; H02J 2007/0062; H01F 388/14; H01R 13/6675; H01M 2/02; H01M 2/022; H01M 2/0202; H01M 2/0207; H01M 2/0212; H01M 2/1061; H01M 2/1022; H01M 2/1055; H01M 2/1066; H01M 2/105; H01M 2/204; H01M 10/44; H01M 10/46; H01M 10/425; H01M 10/465; H01M 10/482; H01M 10/4257; H01M 10/0436; H01M 10/48; H01M 2200/30; H01M 2250/30; H01M 2250/40; B60L 11/182

See application file for complete search history.

(56) **References Cited**

U.S. PATENT DOCUMENTS

D703,134	S	*	4/2014	Wong	D13/108
D708,134	S	*	7/2014	Druker	D13/110
D711,820	S	*	8/2014	Zeng	D13/103
D716,729	S	*	11/2014	Kelly	D13/110
D730,282	S	*	5/2015	Miller	D13/103
D731,969	S	*	6/2015	Ackloo	D13/110
D733,050	S	*	6/2015	Chiang	D13/103
2014/0140048	A1	*	5/2014	Miller	H02J 7/0027 362/183

* cited by examiner

Primary Examiner — Rosemary K Tarcza

Assistant Examiner — Sanjeev Paul

(74) *Attorney, Agent, or Firm* — Avery, Whigham & Winesett, P.A.; Nathan Stamey Winesett

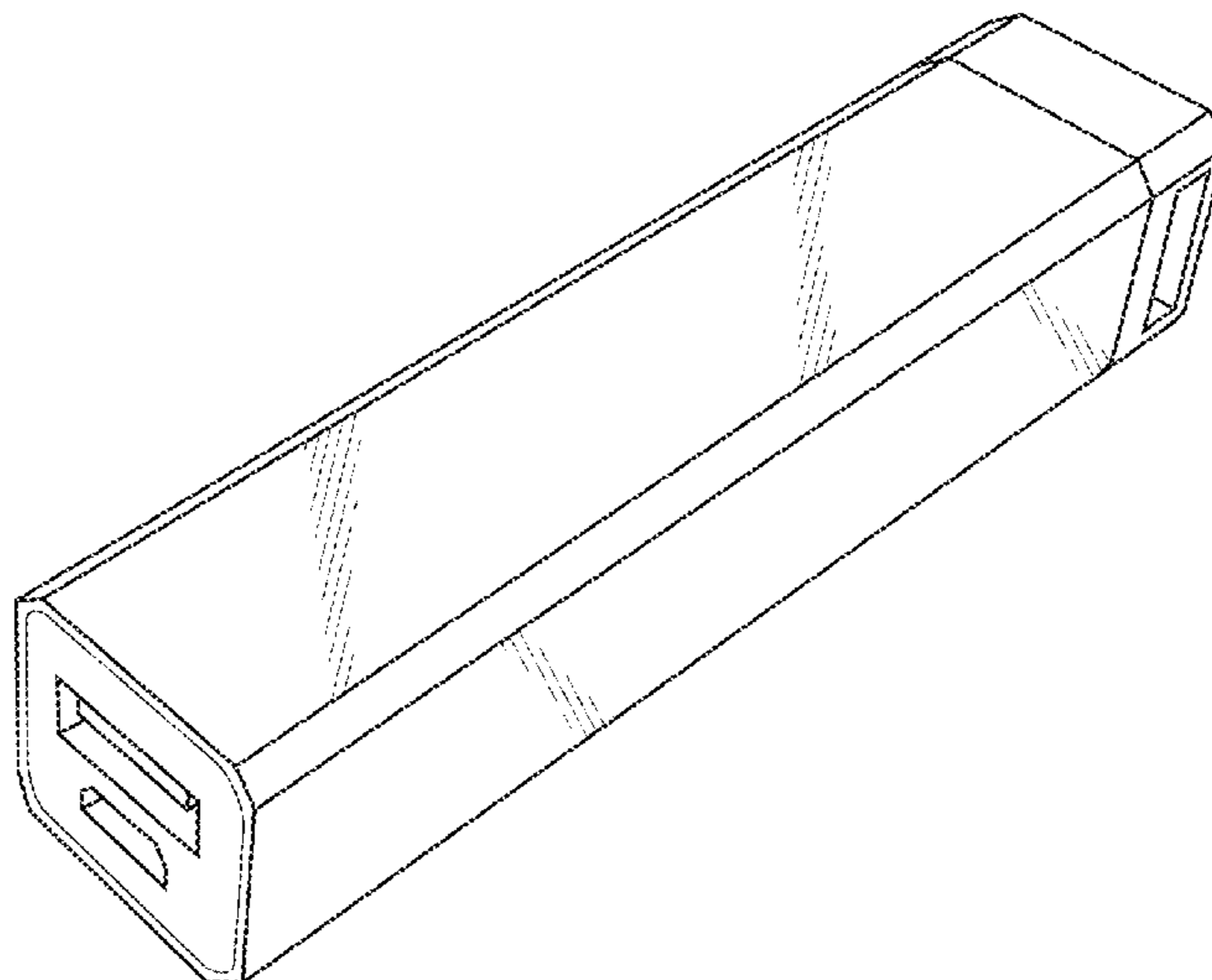
(57) **CLAIM**

What is claimed is the ornamental design for portable battery charger, as shown and described herein.

DESCRIPTION

FIG. 1 is a 3/4 view of a portable battery charger showing the new design;
FIG. 2 is a right side view of the portable battery charger shown in FIG. 1;
FIG. 3 is a left side view of the portable battery charger shown in FIG. 1;
FIG. 4 is a top view of the portable battery charger shown in FIG. 1;
FIG. 5 is a bottom view of the portable battery charger shown in FIG. 1;
FIG. 6 is a front view of the portable battery charger shown in FIG. 1; and,
FIG. 7 is a back view of the portable battery charger shown in FIG. 1.

1 Claim, 4 Drawing Sheets



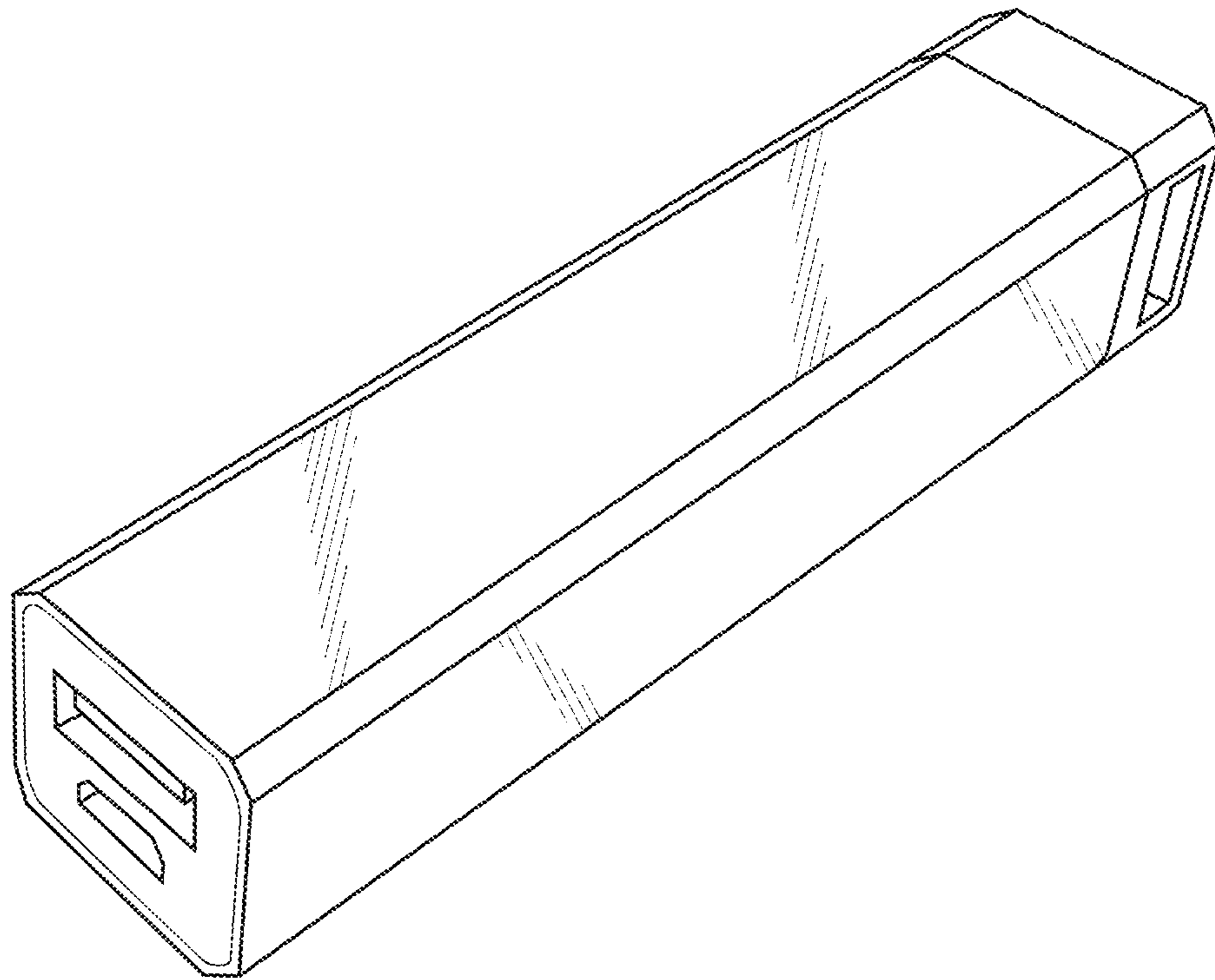


Fig. 1

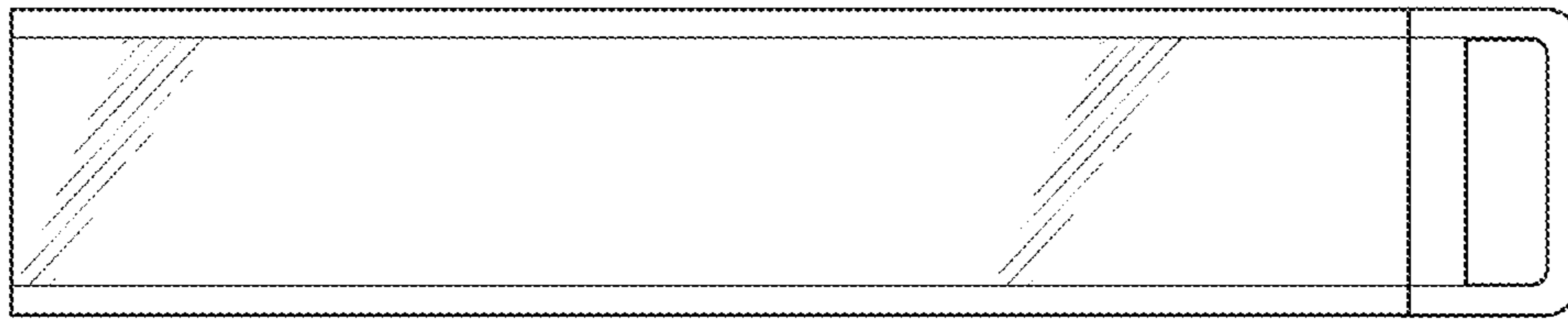


Fig. 2

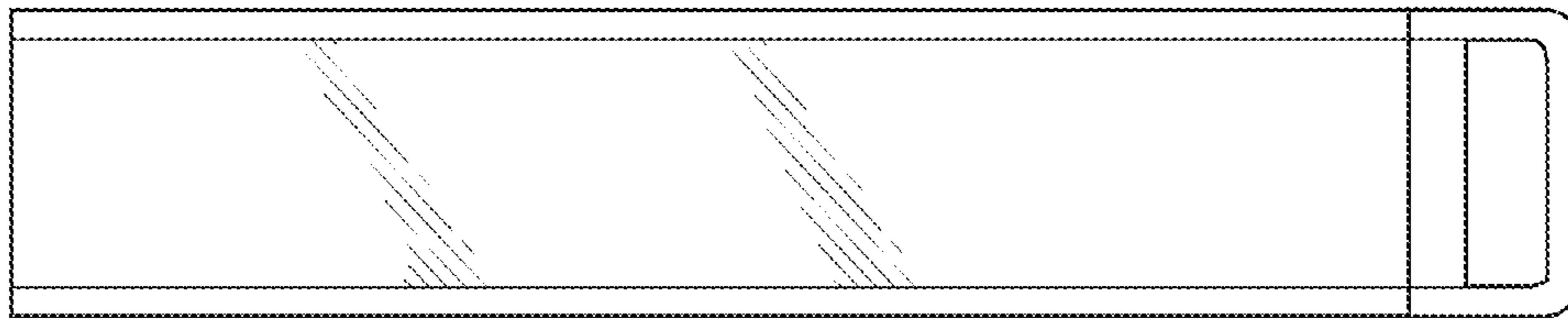


Fig. 3

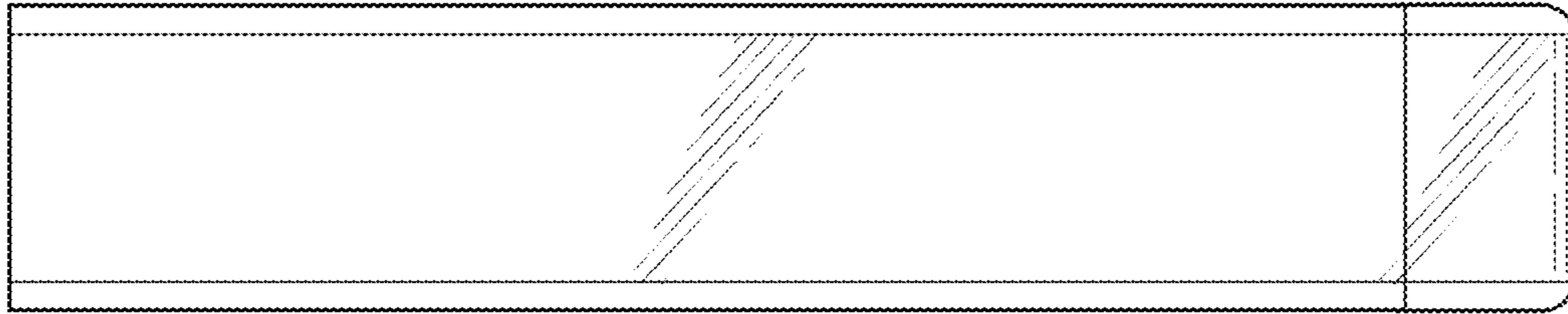


Fig. 4

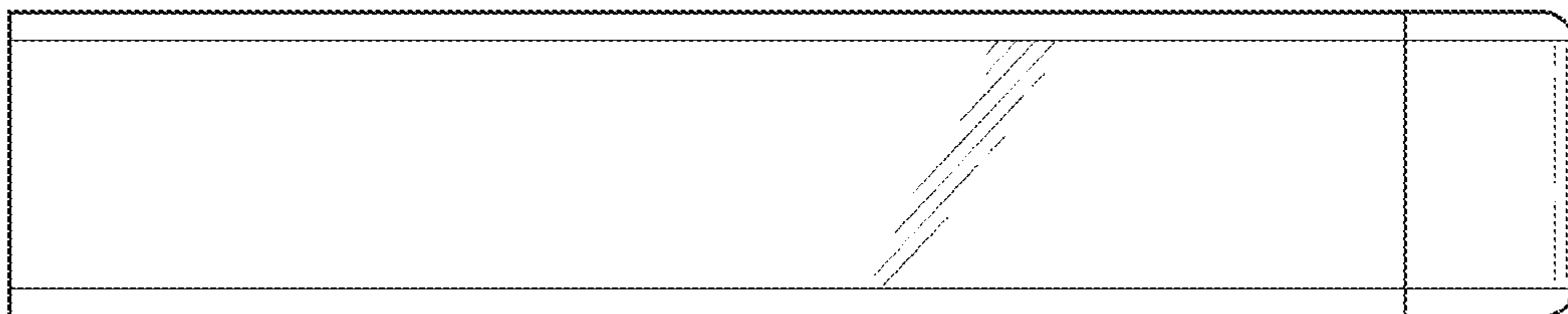


Fig. 5

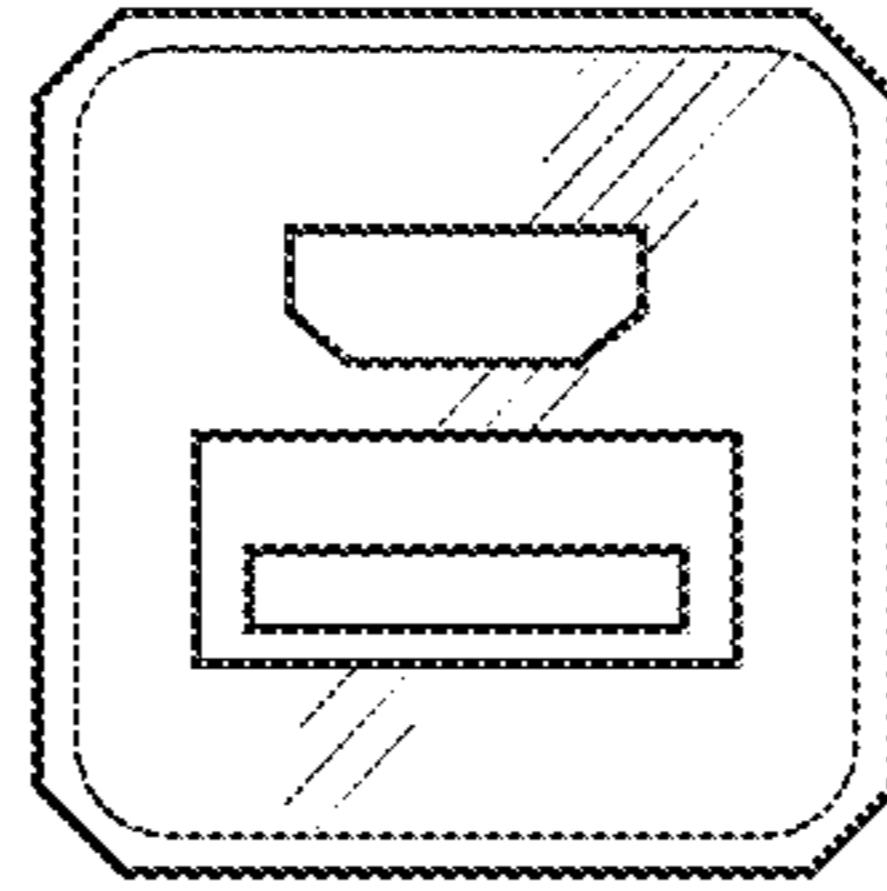


Fig. 6

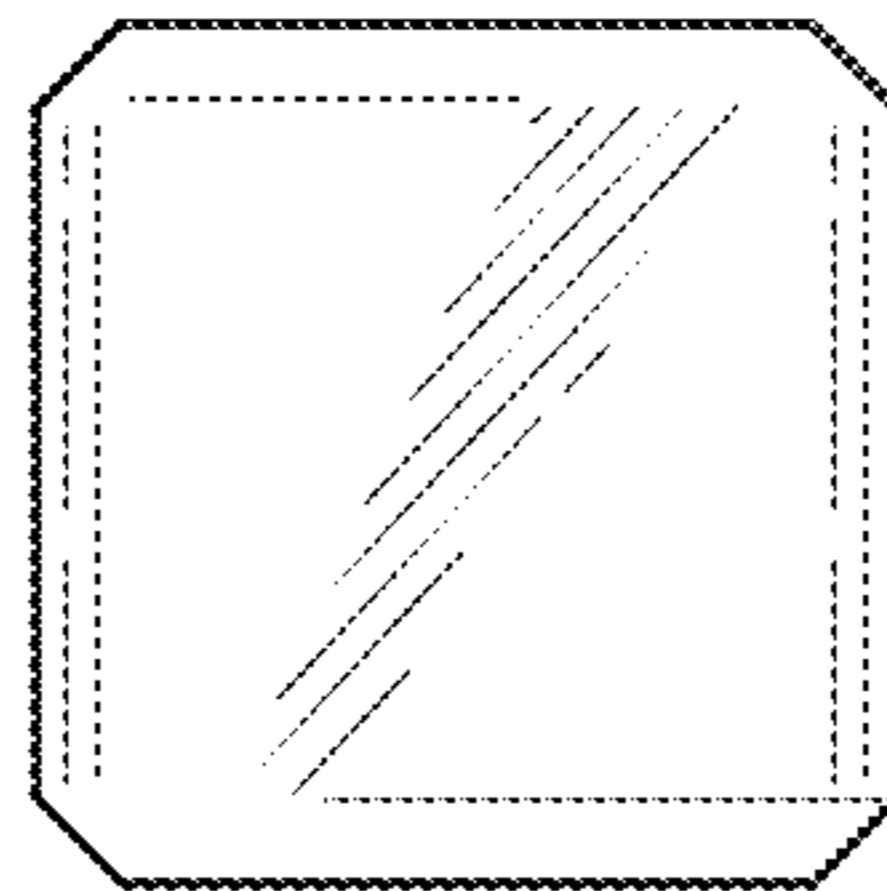


Fig. 7