



US00D749504S

(12) **United States Design Patent**
Jeong et al.

(10) **Patent No.:** **US D749,504 S**

(45) **Date of Patent:** **** Feb. 16, 2016**

(54) **RECHARGABLE BATTERY FOR PORTABLE ELECTRONIC APPARATUS**

(71) Applicants: **Deok Hyeon Jeong**, Seoul (KR); **Na Young Kim**, Seoul (KR)

(72) Inventors: **Deok Hyeon Jeong**, Seoul (KR); **Na Young Kim**, Seoul (KR)

(73) Assignee: **DEOK HYEON JEONG**, Seoul (KR)

(**) Term: **14 Years**

(21) Appl. No.: **29/455,055**

(22) Filed: **May 16, 2013**

(30) **Foreign Application Priority Data**

Nov. 16, 2012 (KR) 30-2012-0054831

(51) **LOC (10) Cl.** **13-02**

(52) **U.S. Cl.**
USPC **D13/108**

(58) **Field of Classification Search**

USPC D13/102-106, 110, 119-121, 184;
429/96-100, 163, 176

CPC Y02E 60/12; Y02E 60/122; Y02E 60/124;
Y02E 60/50; H01M 2/02; H01M 2/022;
H01M 2/0202; H01M 2/0207; H01M 2/0212;
H01M 2/1061; H01M 2/1022; H01M 2/1055;
H01M 2/1066; H01M 2/105; H01M 2/204;
H01M 10/4257; H01M 10/0436; H01M 10/48

See application file for complete search history.

(56) **References Cited**

U.S. PATENT DOCUMENTS

D221,081 S *	7/1971	Kahn	D13/110
D426,189 S *	6/2000	Buckle	D13/103
D515,027 S *	2/2006	Groh et al.	D13/103
D531,117 S *	10/2006	Schrick et al.	D13/103
D625,262 S *	10/2010	Lee et al.	D13/118
D675,563 S *	2/2013	Hoehn et al.	D13/110
D704,639 S *	5/2014	Alesi et al.	D13/110
2014/0099554 A1 *	4/2014	Inoue et al.	429/231.8

* cited by examiner

Primary Examiner — Rosemary K Tarcza

(74) *Attorney, Agent, or Firm* — Scully, Scott, Murphy & Presser, P.C.

(57) **CLAIM**

The ornamental design for a rechargeable battery for portable electronic apparatus, as shown and described.

DESCRIPTION

FIG. 1 illustrates a perspective view of a rechargeable battery for portable electronic apparatus showing my new ornamental design;

FIG. 2 illustrates a front view thereof;

FIG. 3 illustrates a rear view thereof;

FIG. 4 illustrates a left sideview thereof;

FIG. 5 illustrates a right side view thereof;

FIG. 6 illustrates a top view thereof;

FIG. 7 illustrates a bottom view thereof;

FIG. 8 illustrates a perspective reference view thereof; and,

FIG. 9 illustrates a perspective reference view thereof.

The portions indicated in broken lines in FIG. 8 and FIG. 9 are for illustrative purposes only and form no part of the claimed design.

1 Claim, 6 Drawing Sheets

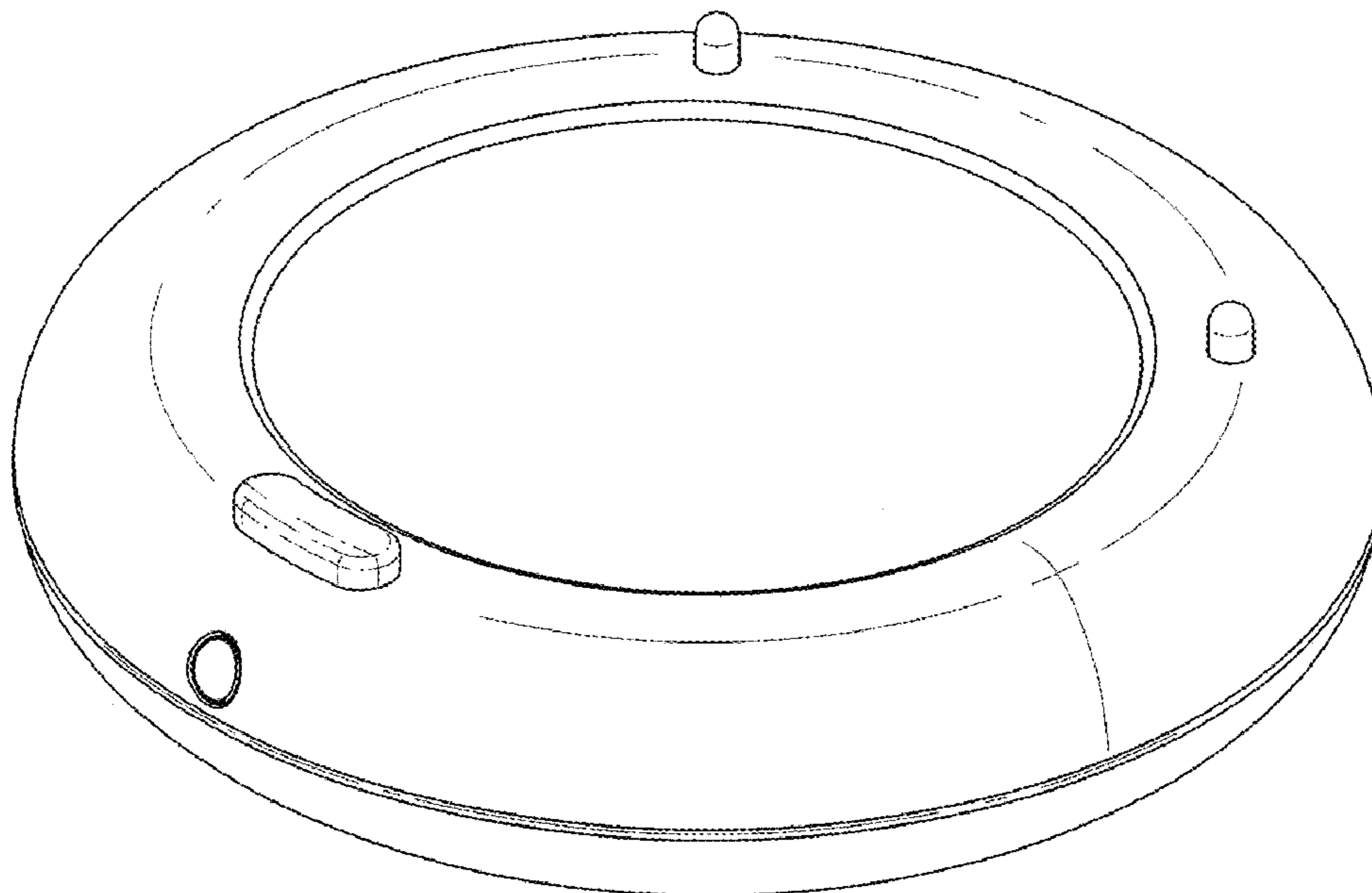


FIG. 1

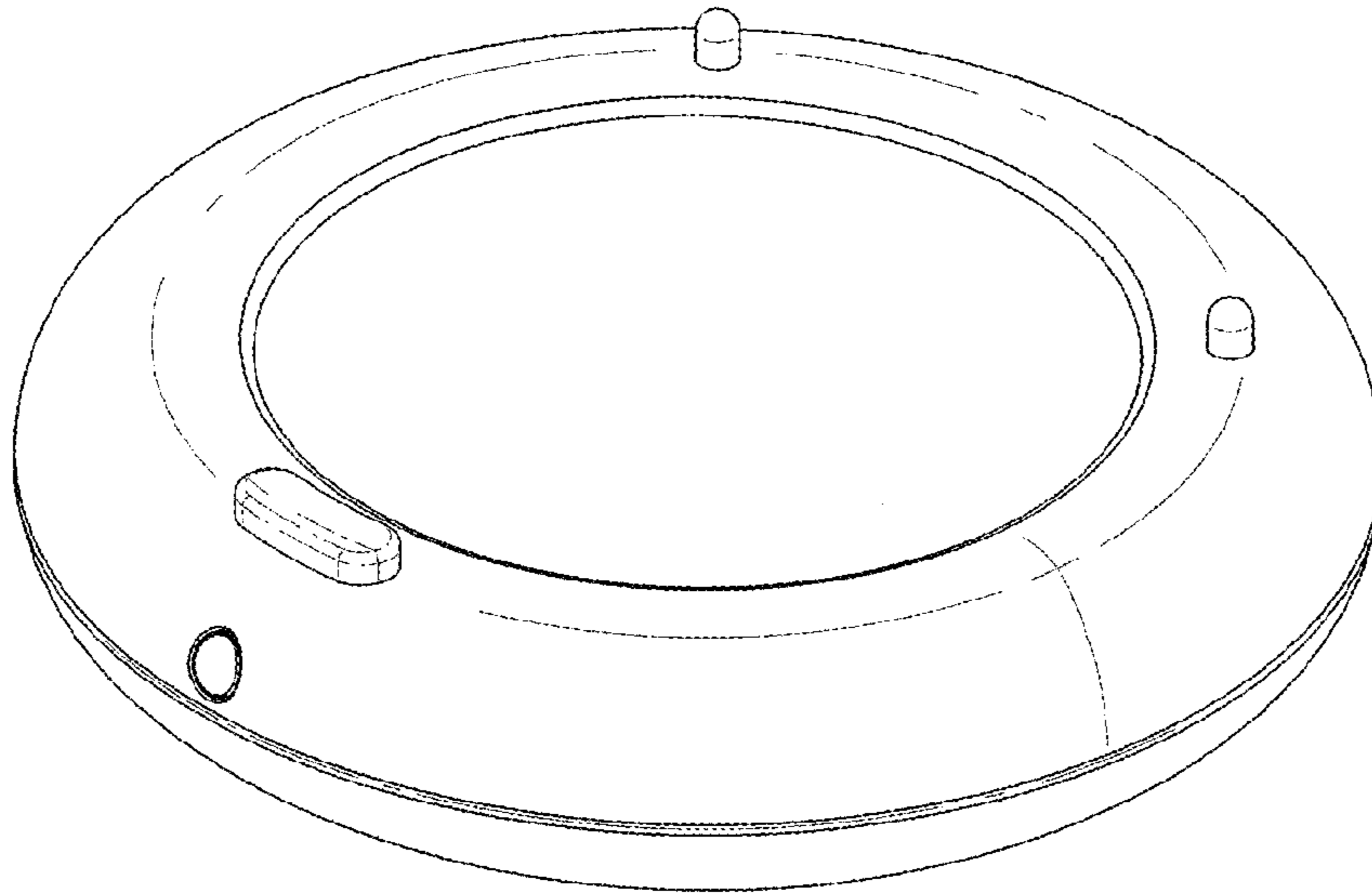


FIG. 2

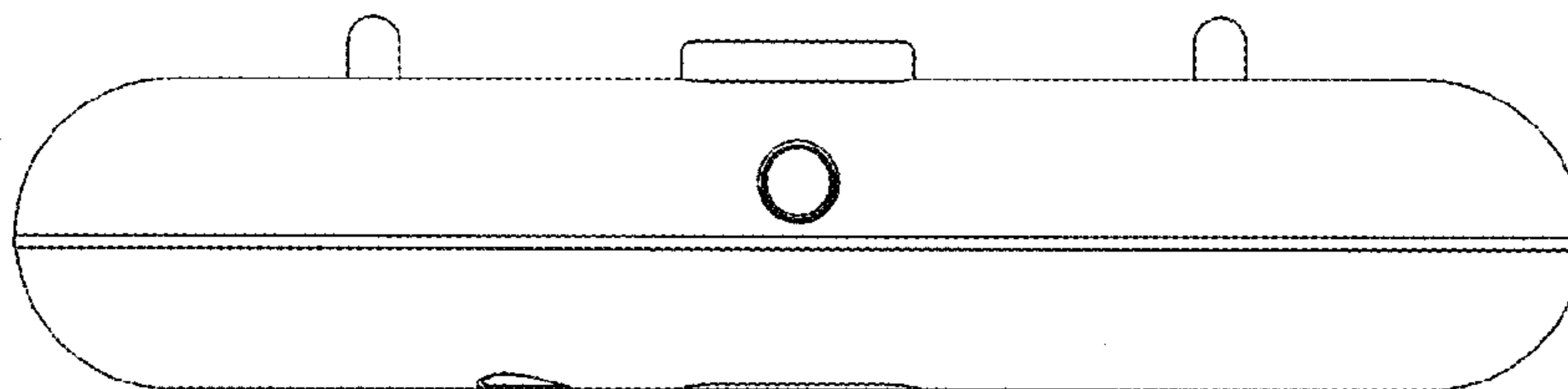


FIG. 3

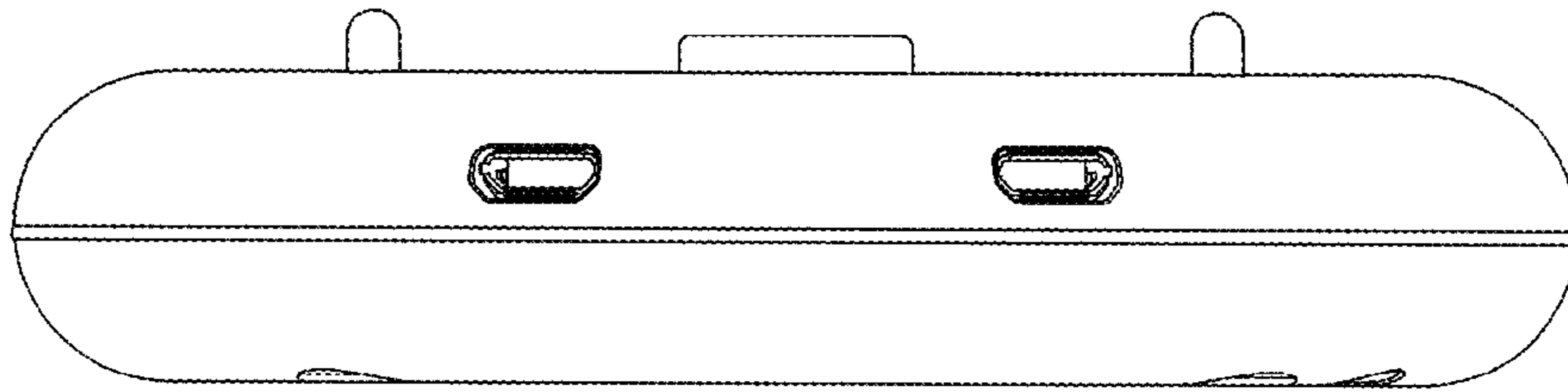


FIG. 4

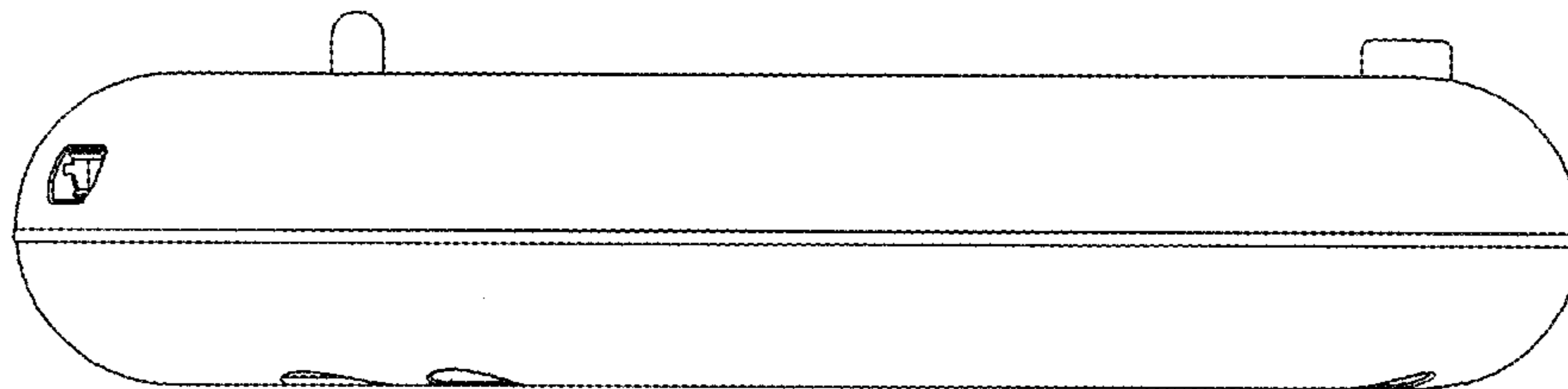


FIG. 5

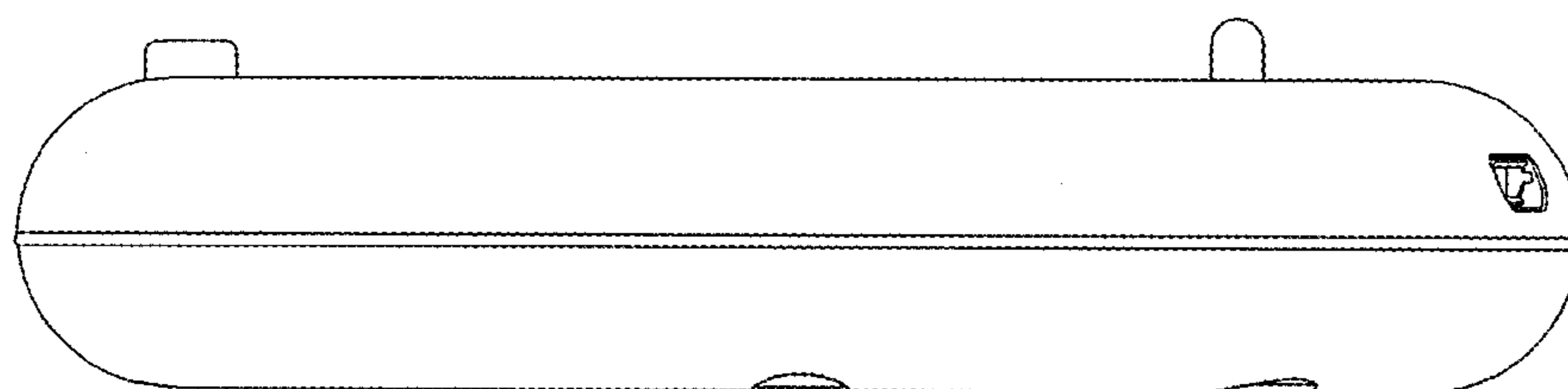


FIG. 6

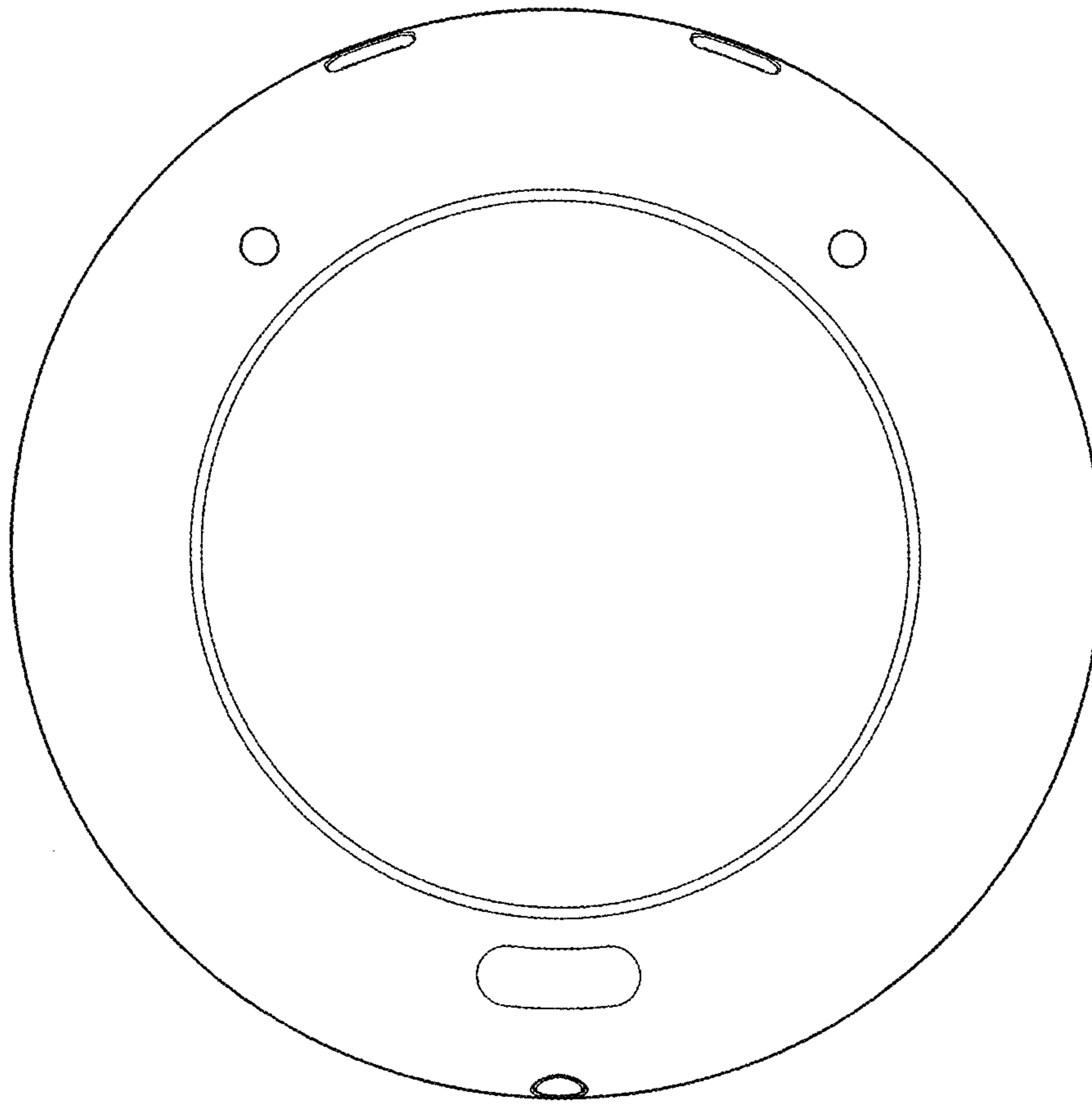
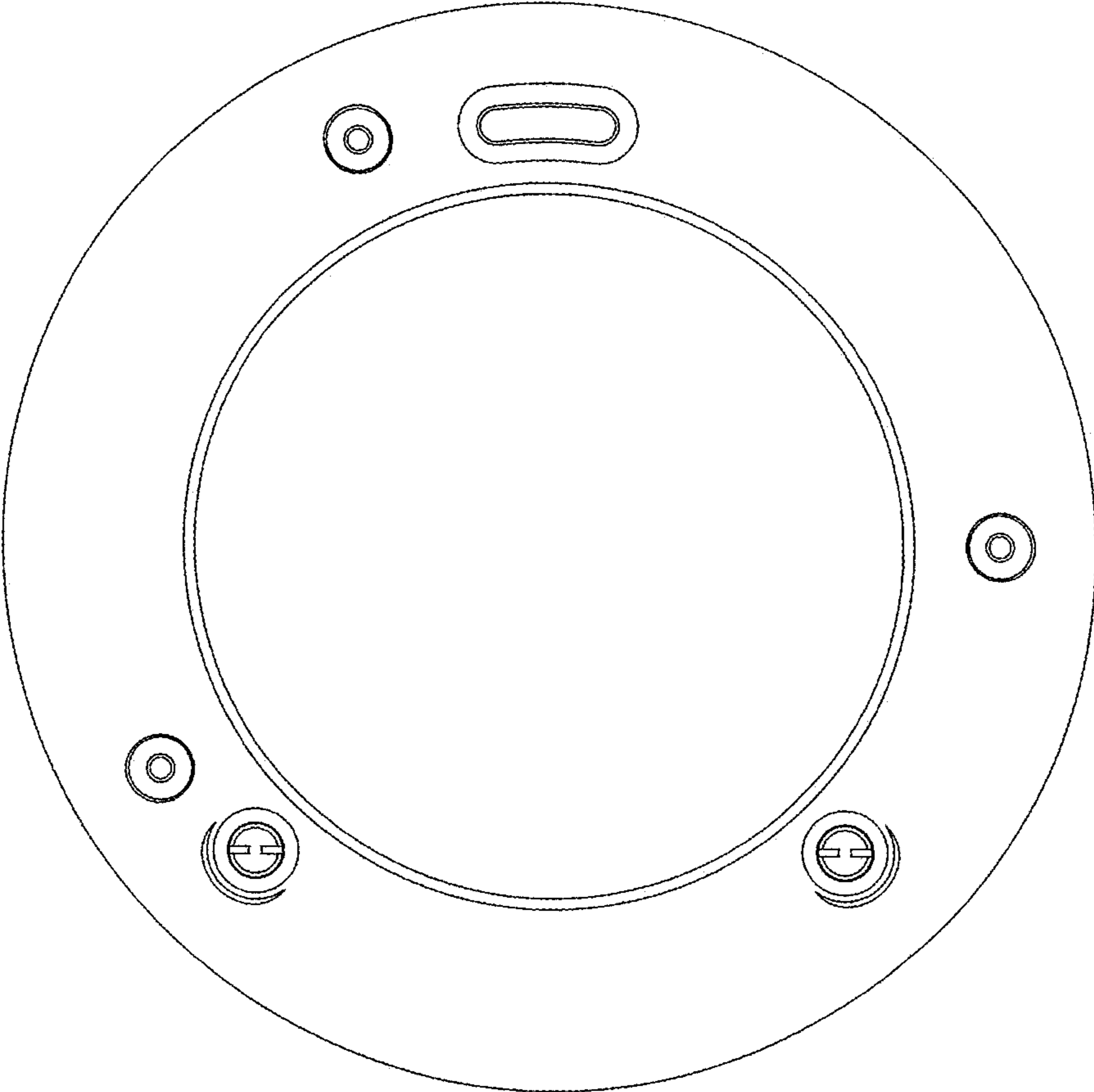


FIG. 7



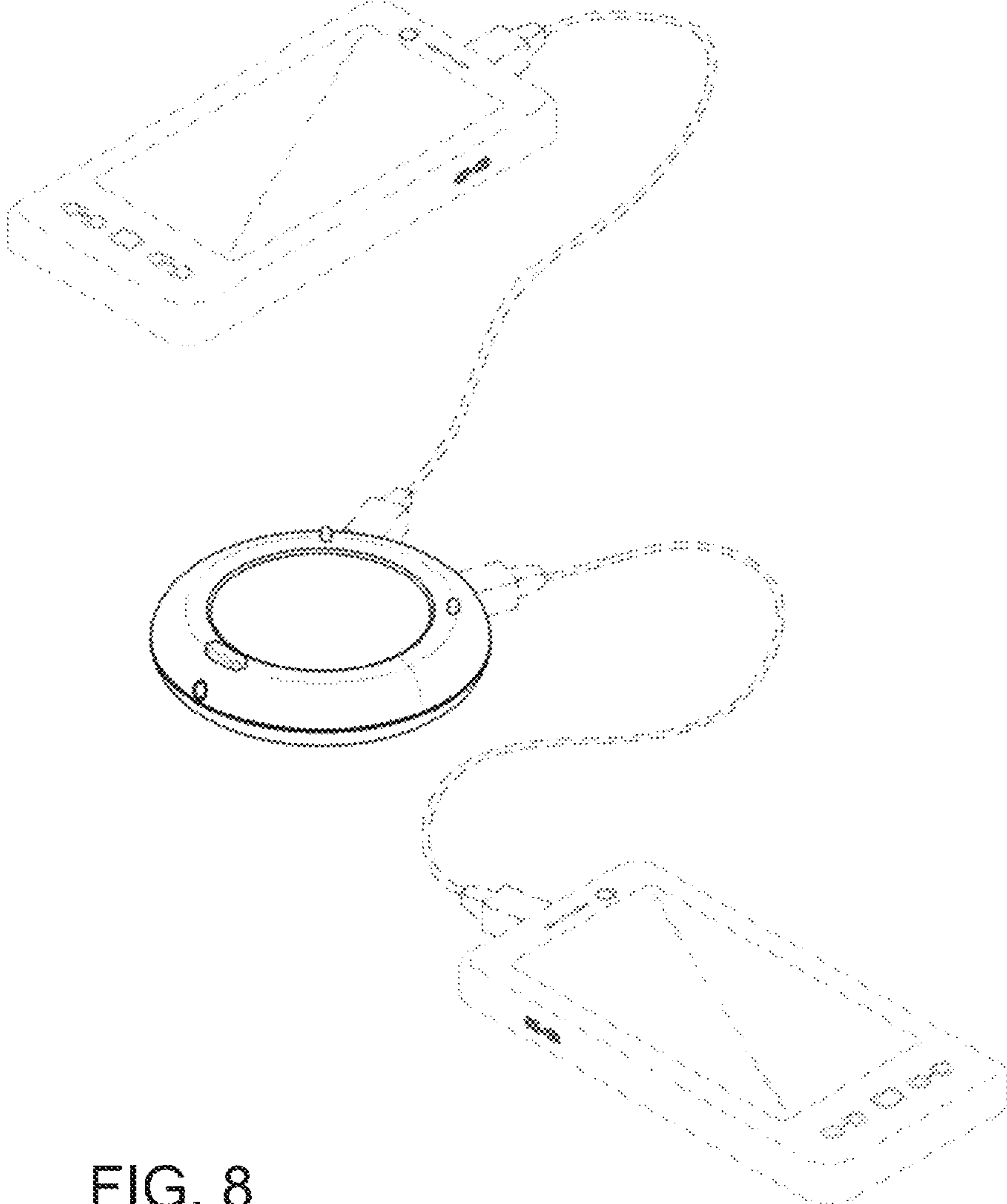


FIG. 8

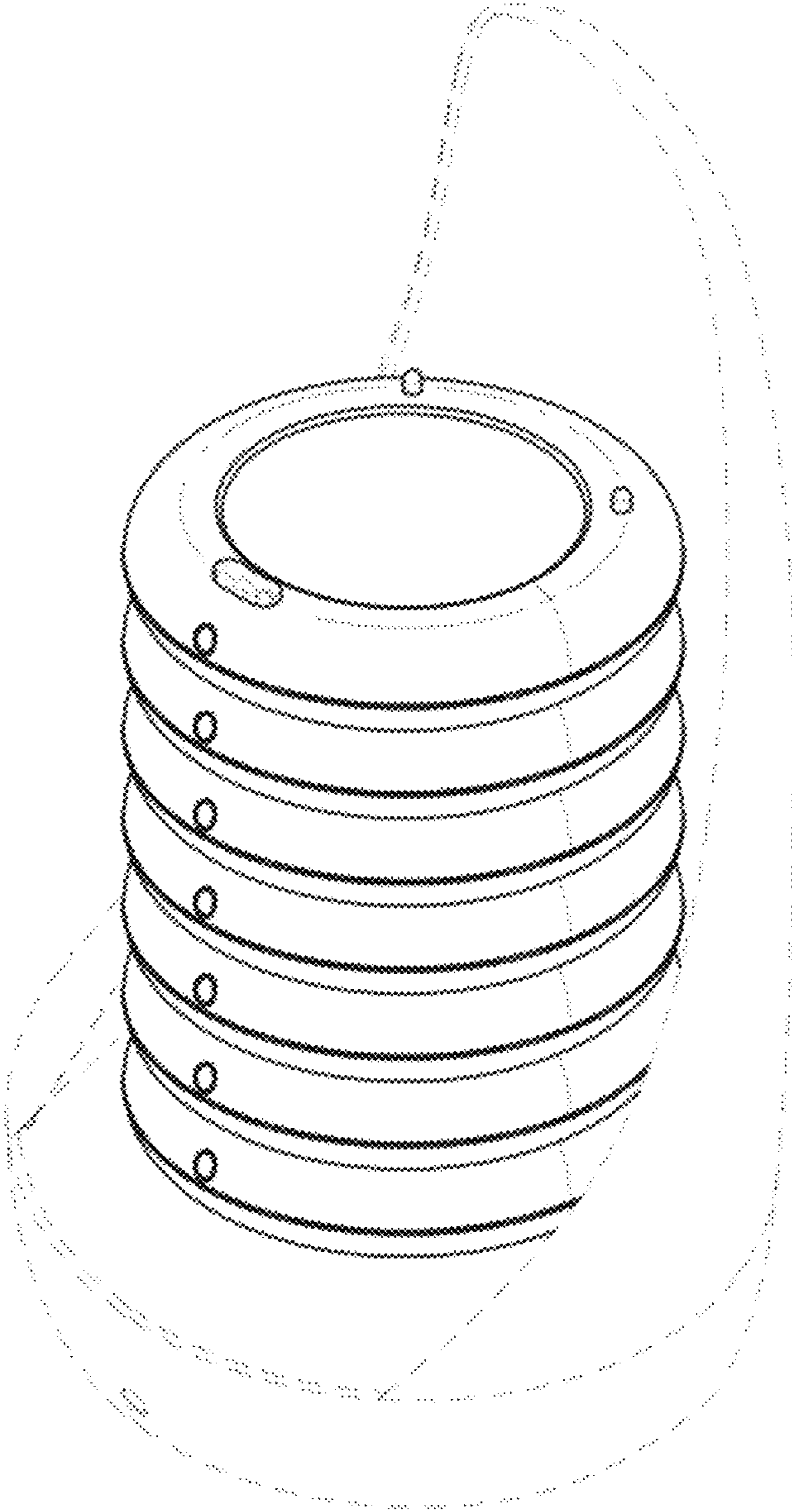


FIG. 9