



US00D749493S

(12) **United States Design Patent**  
**Kasparian et al.**

(10) **Patent No.:** **US D749,493 S**

(45) **Date of Patent:** **\*\* Feb. 16, 2016**

(54) **COCKPIT CENTER CONSOLE**

(71) Applicant: **Gulfstream Aerospace Corporation**,  
Savannah, GA (US)

(72) Inventors: **Aram Kasparian**, Savannah, GA (US);  
**Andrew Fulford**, Northville, MI (US);  
**Tristan Flynn**, Savannah, GA (US);  
**David Malcolm**, Savannah, GA (US)

(73) Assignee: **Gulfstream Aerospace Corporation**,  
Savannah, GA (US)

(\*\*) Term: **14 Years**

(21) Appl. No.: **29/506,231**

(22) Filed: **Oct. 14, 2014**

(51) **LOC (10) Cl.** ..... **12-07**

(52) **U.S. Cl.**  
USPC ..... **D12/345**

(58) **Field of Classification Search**  
USPC ..... D6/336, 384, 653, 654, 665, 657, 663,  
D6/672, 573; D7/602, 603, 614; D12/319,  
D12/323, 325, 336, 345, 192, 423, 415, 416,  
D12/179, 180, 182; D21/436, 447, 448,  
D21/449, 453  
CPC ..... B64C 13/04; B64D 11/0007; B64D  
11/0015; B64D 11/003; B64D 11/04; B64D  
2011/0046; B64D 11/0629; B64B 1/10  
See application file for complete search history.

(56) **References Cited**

**U.S. PATENT DOCUMENTS**

D433,362 S \* 11/2000 Wyszogrod ..... D12/192  
D440,193 S \* 4/2001 Pfeiffer ..... D12/192  
D501,811 S \* 2/2005 Fukuda ..... D12/192

D589,870 S \* 4/2009 Saint-Jalmes ..... D12/345  
D592,126 S \* 5/2009 da Silveira ..... D12/345  
D640,180 S \* 6/2011 Moneypenny ..... D12/345  
D641,674 S \* 7/2011 Kim ..... D12/192  
D694,701 S \* 12/2013 Ouellette ..... D12/415  
D721,996 S \* 2/2015 Farcas ..... D12/192  
D727,816 S \* 4/2015 Takagi ..... D12/192  
D730,793 S \* 6/2015 Ishikawa ..... D12/192  
D730,805 S \* 6/2015 Tran ..... D12/192  
2012/0085870 A1\* 4/2012 Coote ..... B60N 2/4693  
244/234

\* cited by examiner

*Primary Examiner* — Robert M Spear

*Assistant Examiner* — Marissa J Cash

(74) *Attorney, Agent, or Firm* — Ingrassia, Fisher & Lorenz  
PC

(57) **CLAIM**

The ornamental design for a cockpit center console, as shown and described.

**DESCRIPTION**

The patent or application file contains a least one drawing executed in color. Copies of this patent or patent application publication with color drawing(s) will be provided by the Office upon request and payment of the necessary fee.

FIG. 1 is a front perspective view of a cockpit center console; FIG. 2 is a front view thereof, the back view forming no part of the claimed design;

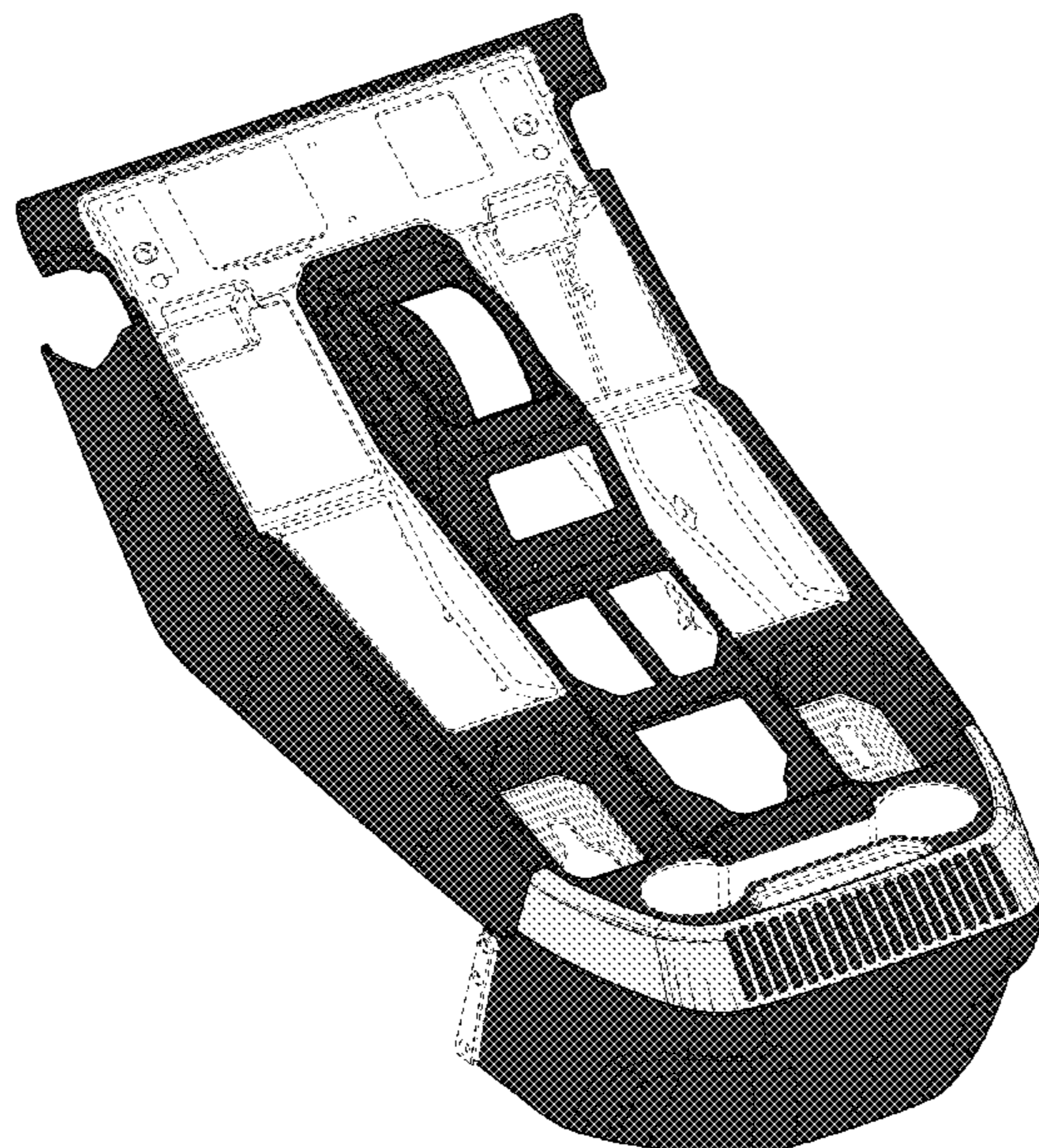
FIG. 3 is a first side view thereof;

FIG. 4 is a second side view thereof; and,

FIG. 5 is a top view thereof, the bottom view forming no part of the claimed design.

The broken lines illustrate structure and environment that form no part of the claimed design.

**1 Claim, 5 Drawing Sheets**





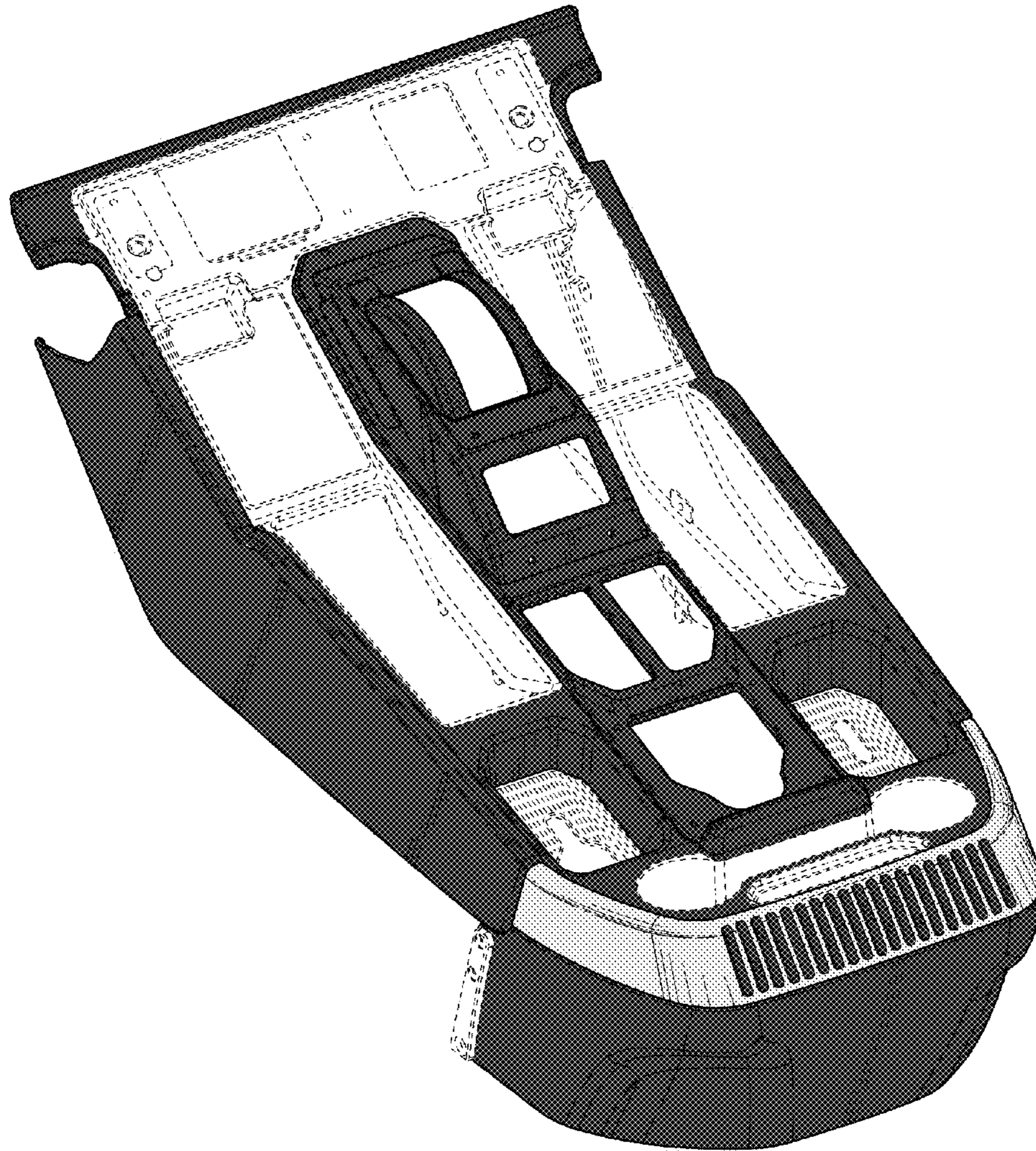


FIG. 1

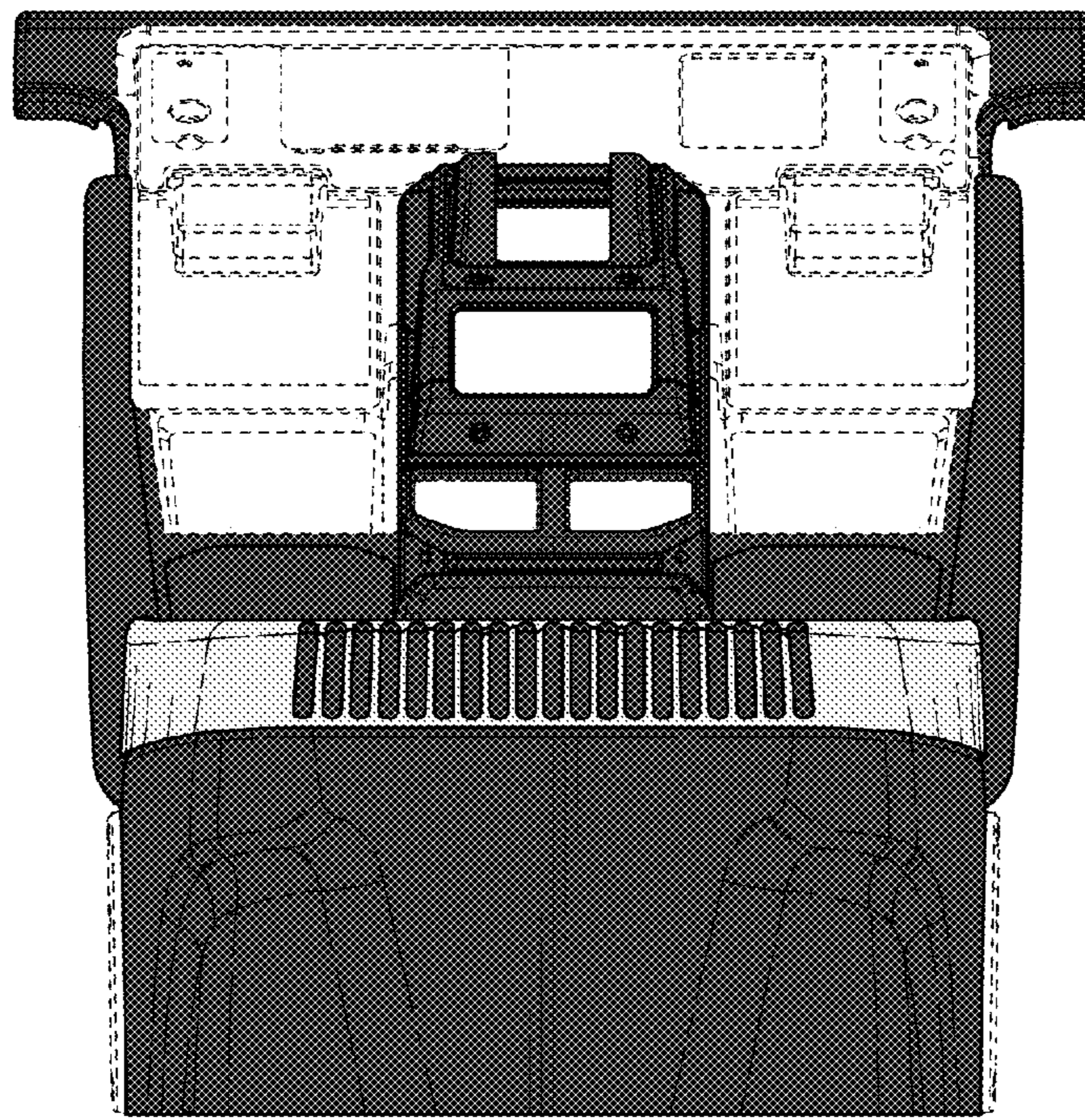


FIG. 2



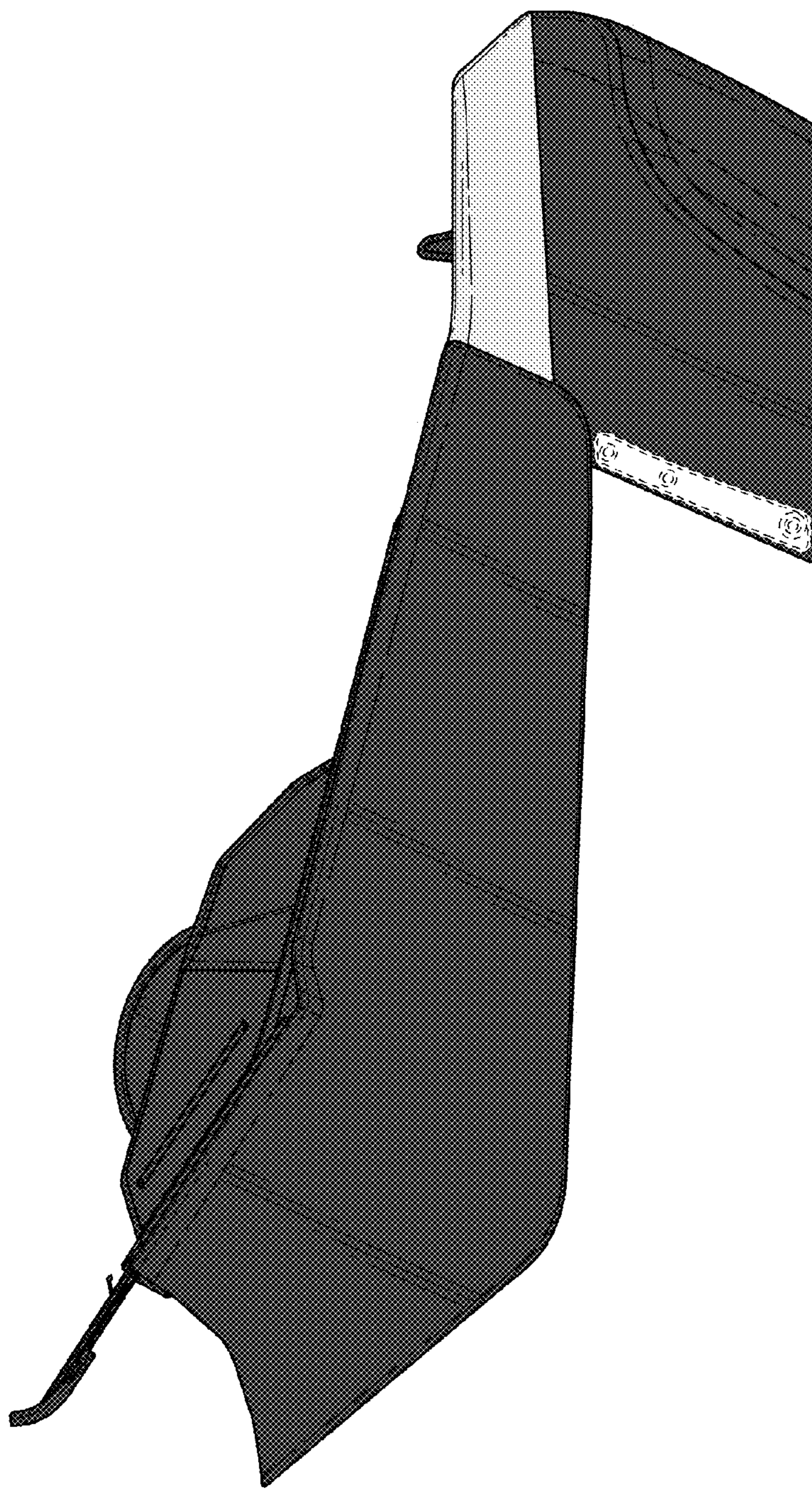


FIG. 3



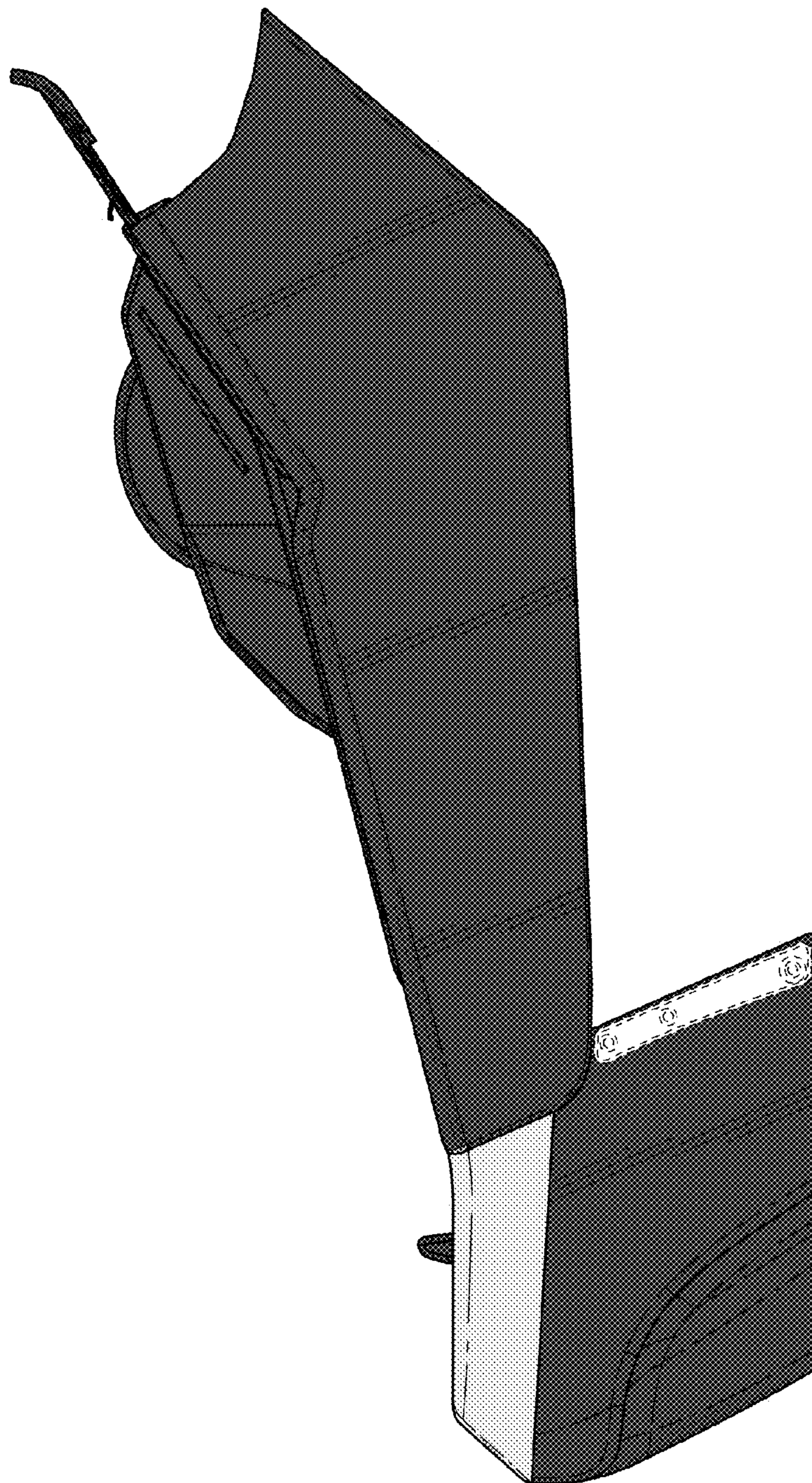


FIG. 4



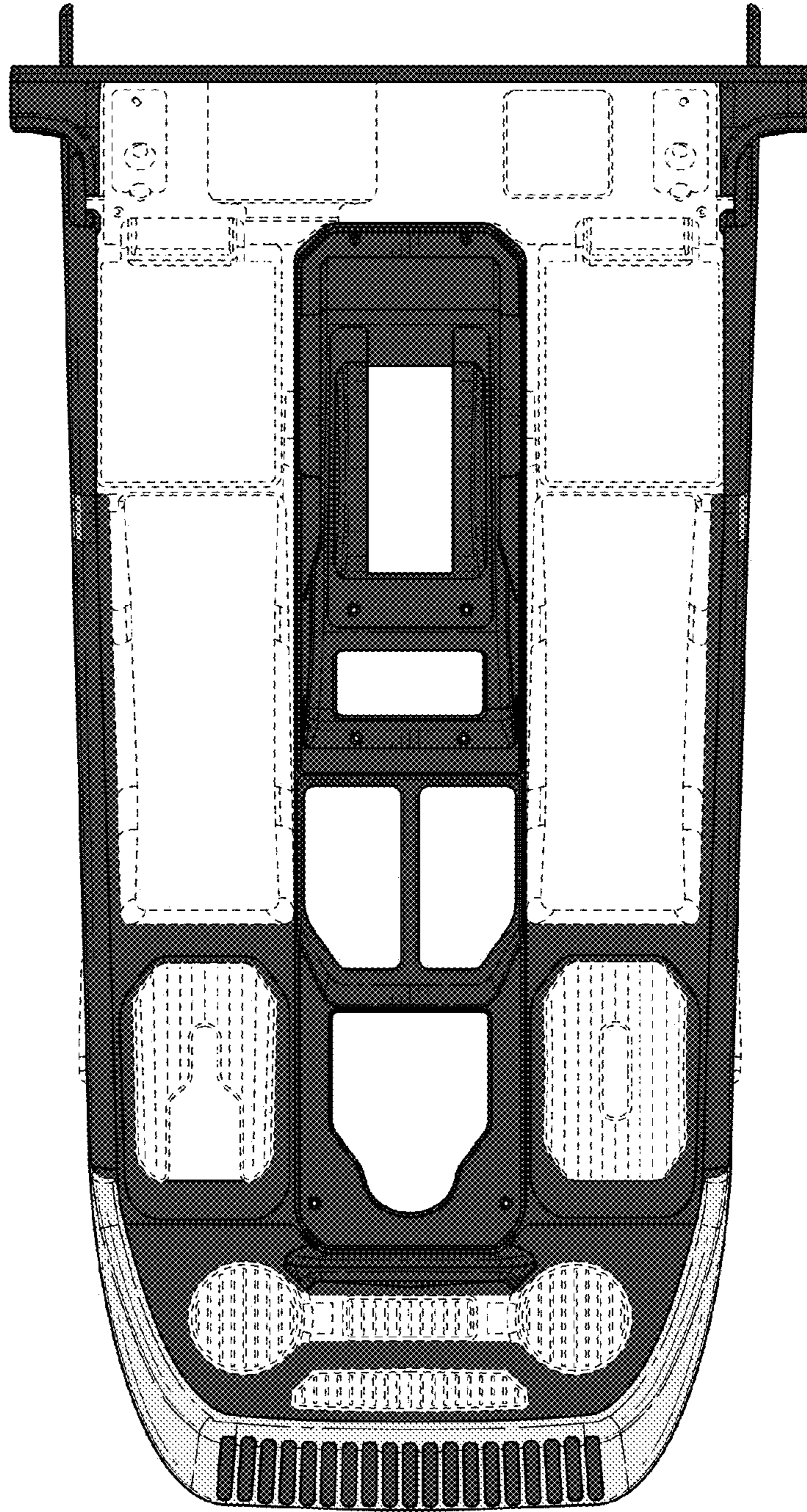


FIG. 5