



US00D749492S

(12) **United States Design Patent**
Kasparian et al.

(10) **Patent No.:** **US D749,492 S**
(45) **Date of Patent:** **** Feb. 16, 2016**

(54) **AIRCRAFT NOSE WHEEL TILLER**

(71) Applicant: **Gulfstream Aerospace Corporation,**
Savannah, GA (US)

(72) Inventors: **Aram Kasparian,** Savannah, GA (US);
Andrew Fulford, Northville, MI (US)

(73) Assignee: **Gulfstream Aerospace Corporation,**
Savannah, GA (US)

(**) Term: **14 Years**

(21) Appl. No.: **29/506,216**

(22) Filed: **Oct. 14, 2014**

(51) **LOC (10) Cl.** **12-07**

(52) **U.S. Cl.**
USPC **D12/345**

(58) **Field of Classification Search**
USPC D6/336, 384, 653, 654, 665, 657, 663,
D6/672, 573; D7/602, 603, 614; D12/319,
D12/323, 325, 336, 345, 192, 423, 415, 416,
D12/179, 180, 182; D21/436, 447, 448,
D21/449, 453
CPC B64C 13/04; B64D 11/0007; B64D
11/0015; B64D 11/003; B64D 11/04; B64D
2011/0046; B64D 11/0629; B64B 1/10
See application file for complete search history.

(56) **References Cited**

U.S. PATENT DOCUMENTS

D212,727 S * 11/1968 Shimano D12/179
D213,747 S * 4/1969 Ross D12/179
4,267,744 A * 5/1981 Yamasaki B62M 25/04
474/82
D314,544 S * 2/1991 Kuo D12/179
D318,836 S * 8/1991 Hsu D12/179

D374,205 S * 10/1996 Levinkron D12/179
D384,926 S * 10/1997 Wallace D12/179
D481,658 S * 11/2003 Ryan D12/179
D515,770 S * 2/2006 Ryan D12/179
D541,824 S * 5/2007 Yanagida D15/28
D592,126 S * 5/2009 da Silveira D12/345
D636,306 S * 4/2011 Pohanka D12/179
D647,014 S * 10/2011 Kluck D12/179

* cited by examiner

Primary Examiner — Robert M Spear

Assistant Examiner — Marissa J Cash

(74) *Attorney, Agent, or Firm* — Ingrassia, Fisher & Lorenz
PC

(57) **CLAIM**

The ornamental design for an aircraft nose wheel tiller, as shown and described.

DESCRIPTION

The patent or application file contains a least one drawing executed in color. Copies of this patent or patent application publication with color drawing(s) will be provided by the Office upon request and payment of the necessary fee.

FIG. 1 is a front perspective view of an aircraft nose wheel tiller;

FIG. 2 is a front view thereof;

FIG. 3 is a back side view thereof;

FIG. 4 is a first side view thereof;

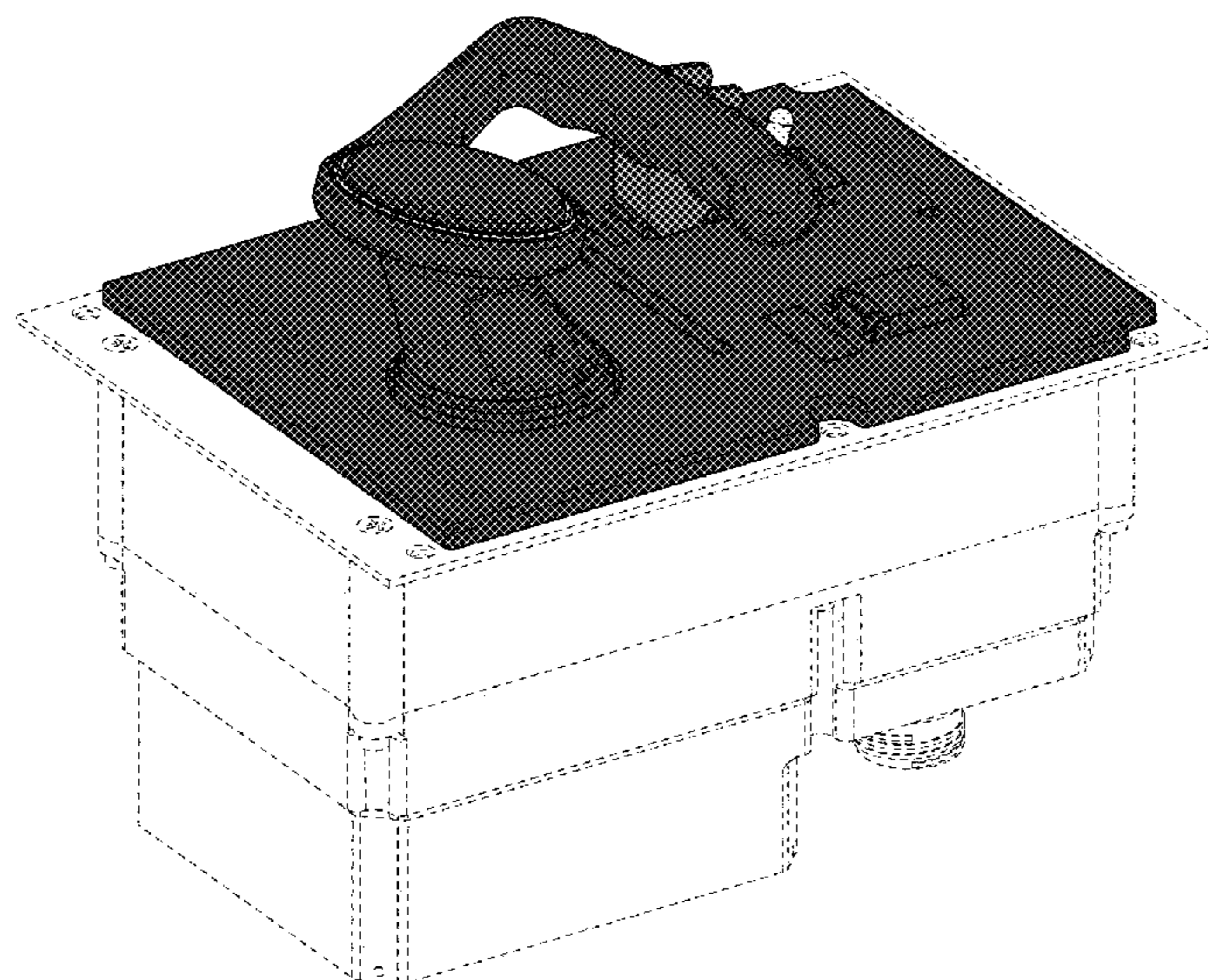
FIG. 5 is a second side view thereof;

FIG. 6 is a top view thereof, the bottom view forming no part of the claimed design; and,

FIG. 7 is a top perspective view thereof in a cockpit environment.

The broken lines illustrate structure and environment that form no part of the claimed design.

1 Claim, 7 Drawing Sheets
(7 of 7 Drawing Sheet(s) Filed in Color)



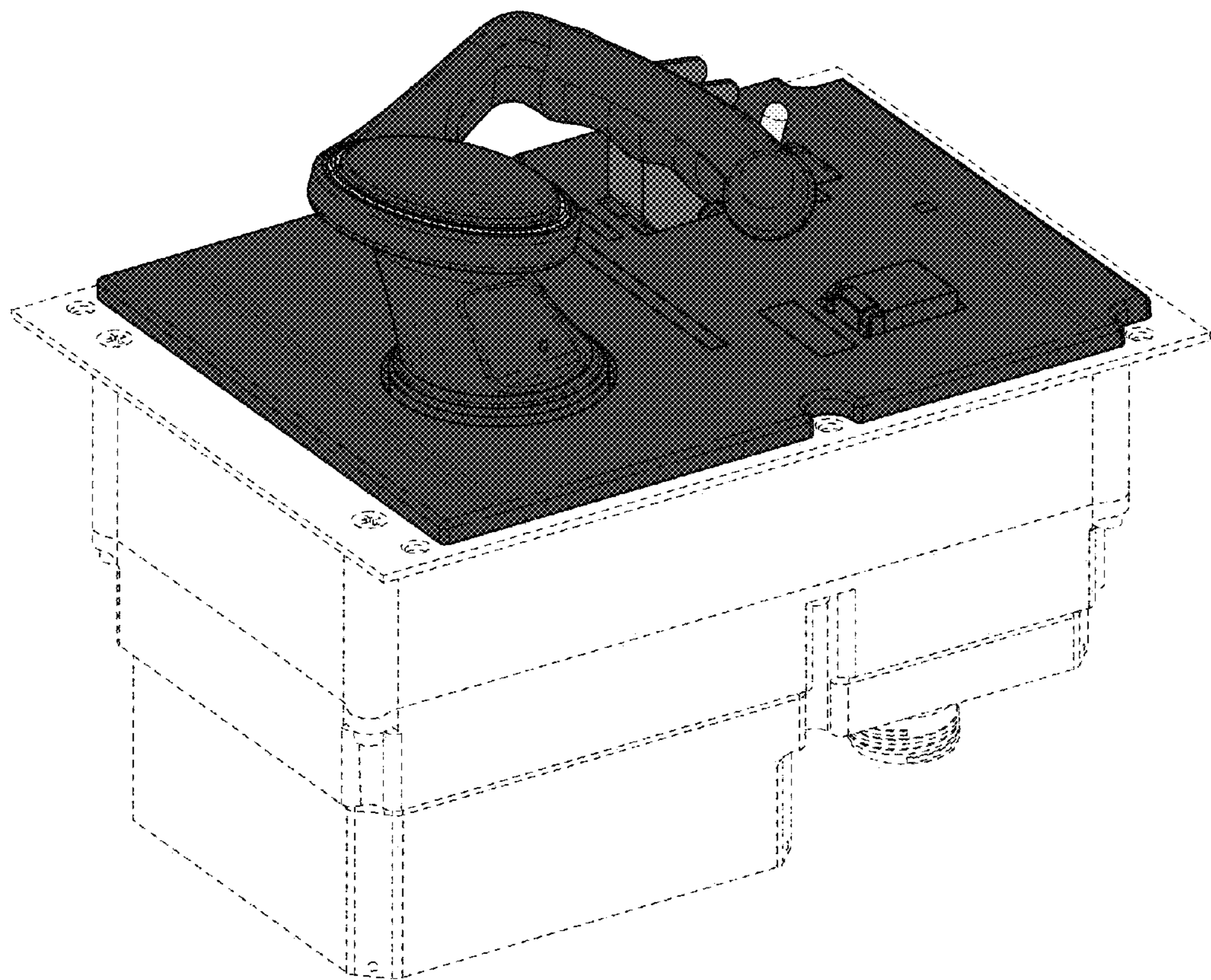


FIG. 1

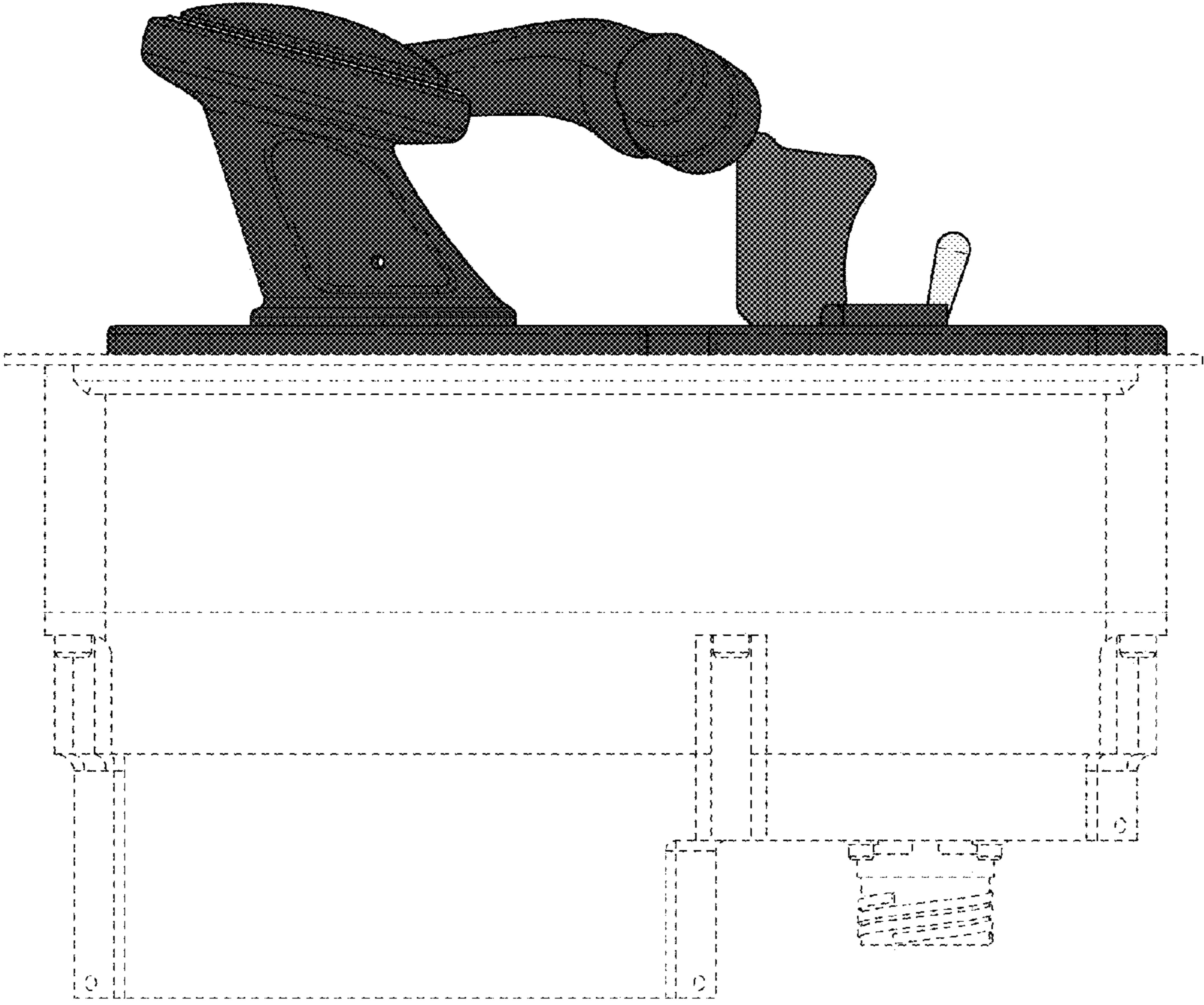


FIG. 2

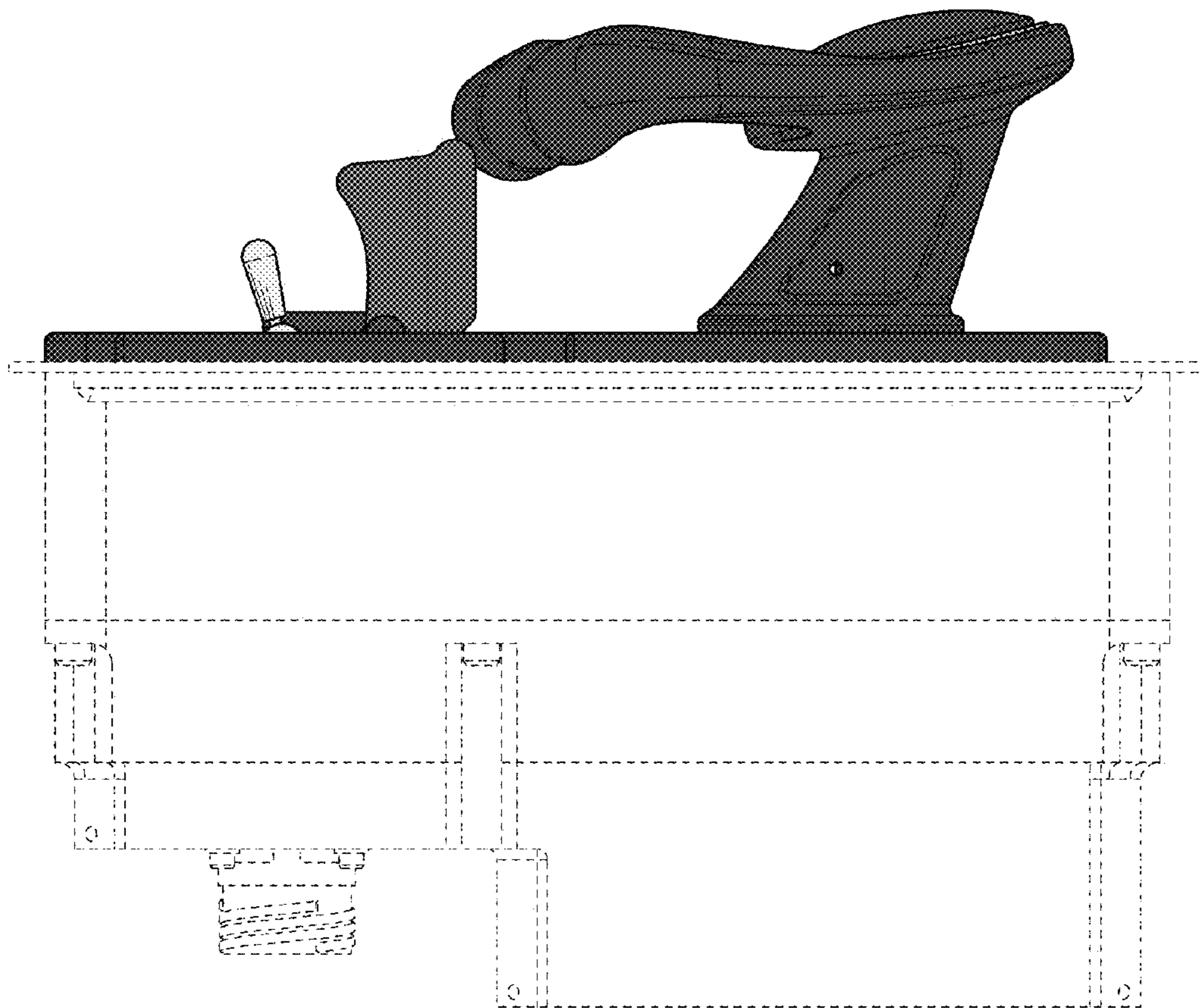


FIG. 3

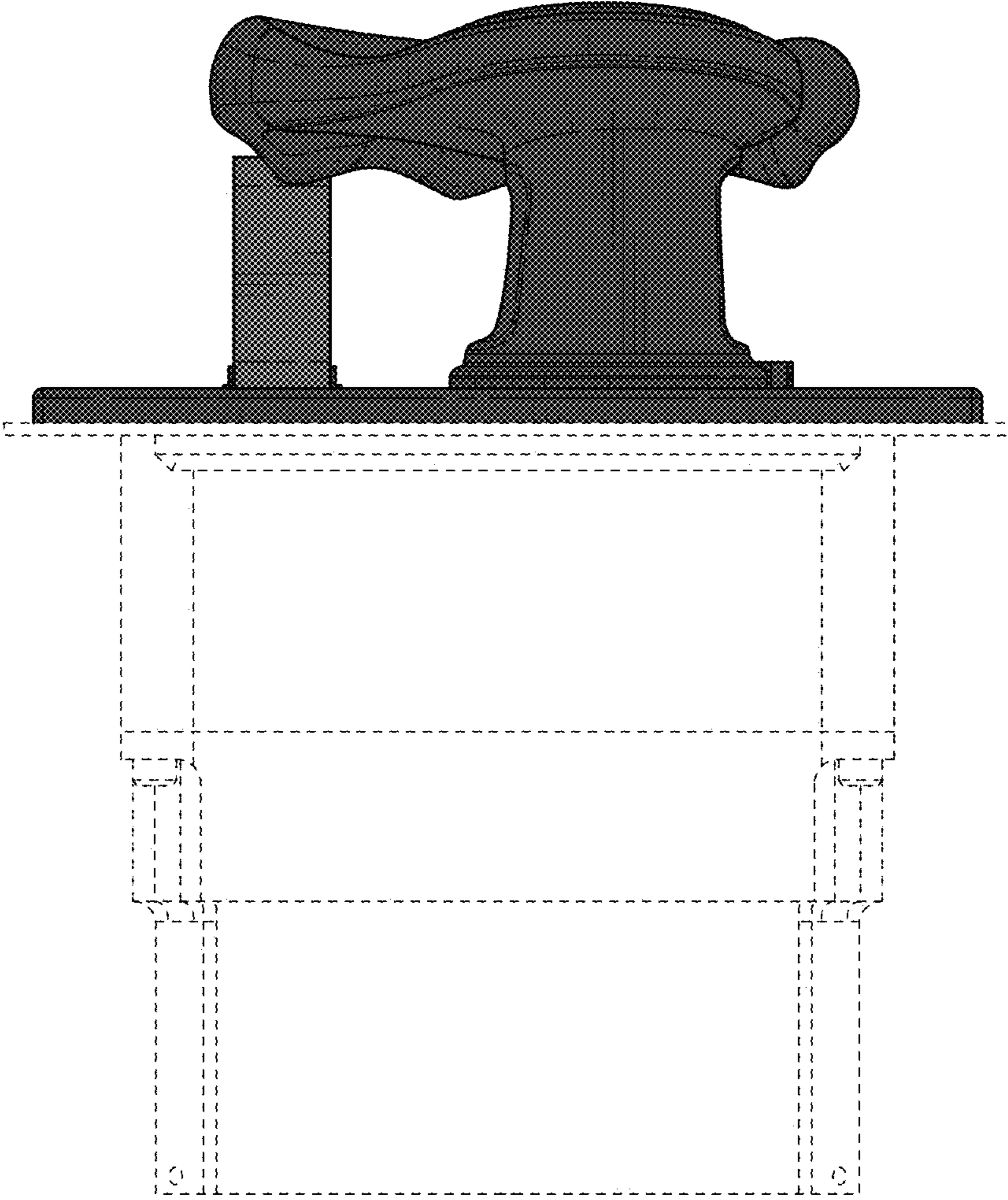


FIG. 4

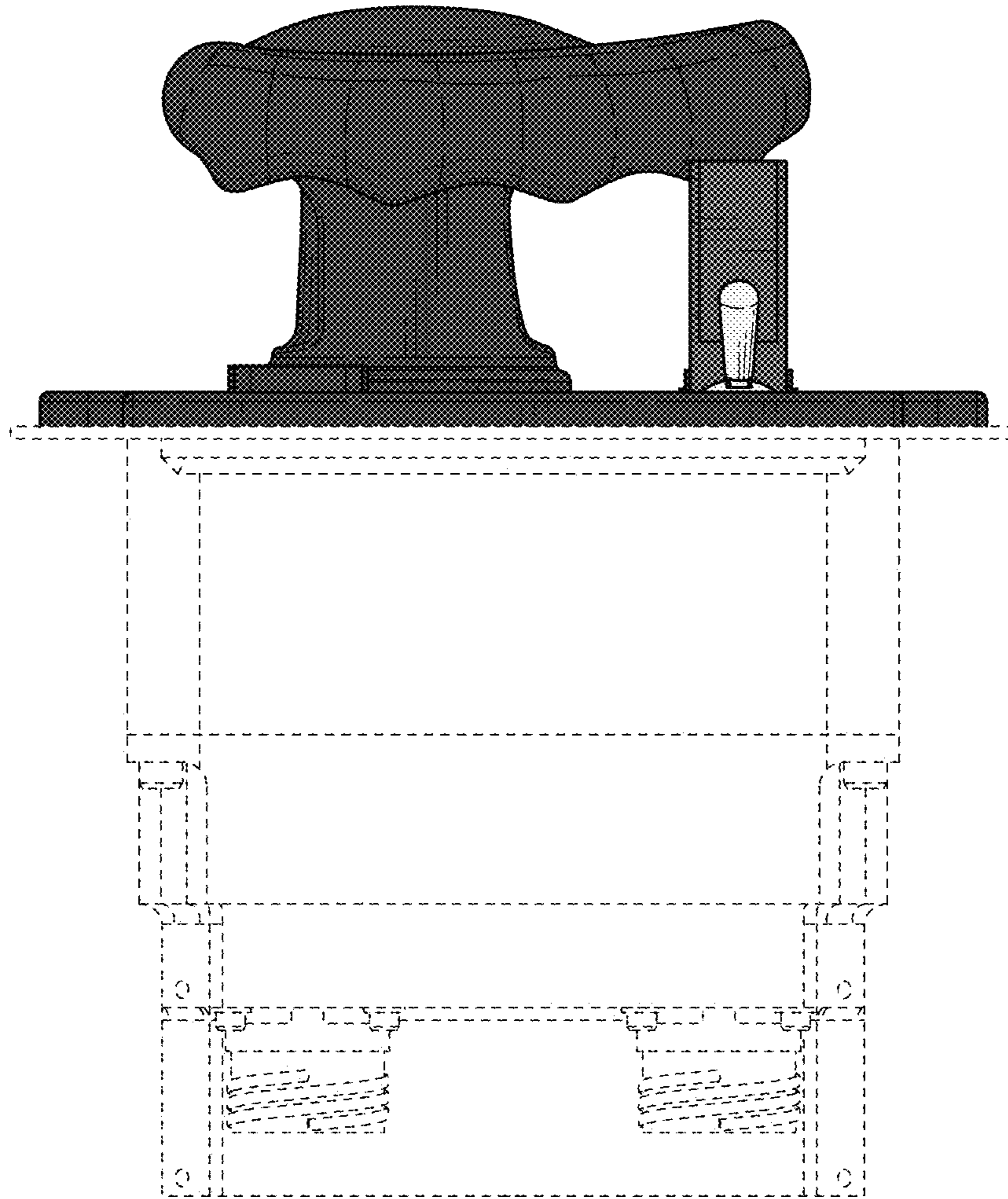


FIG. 5

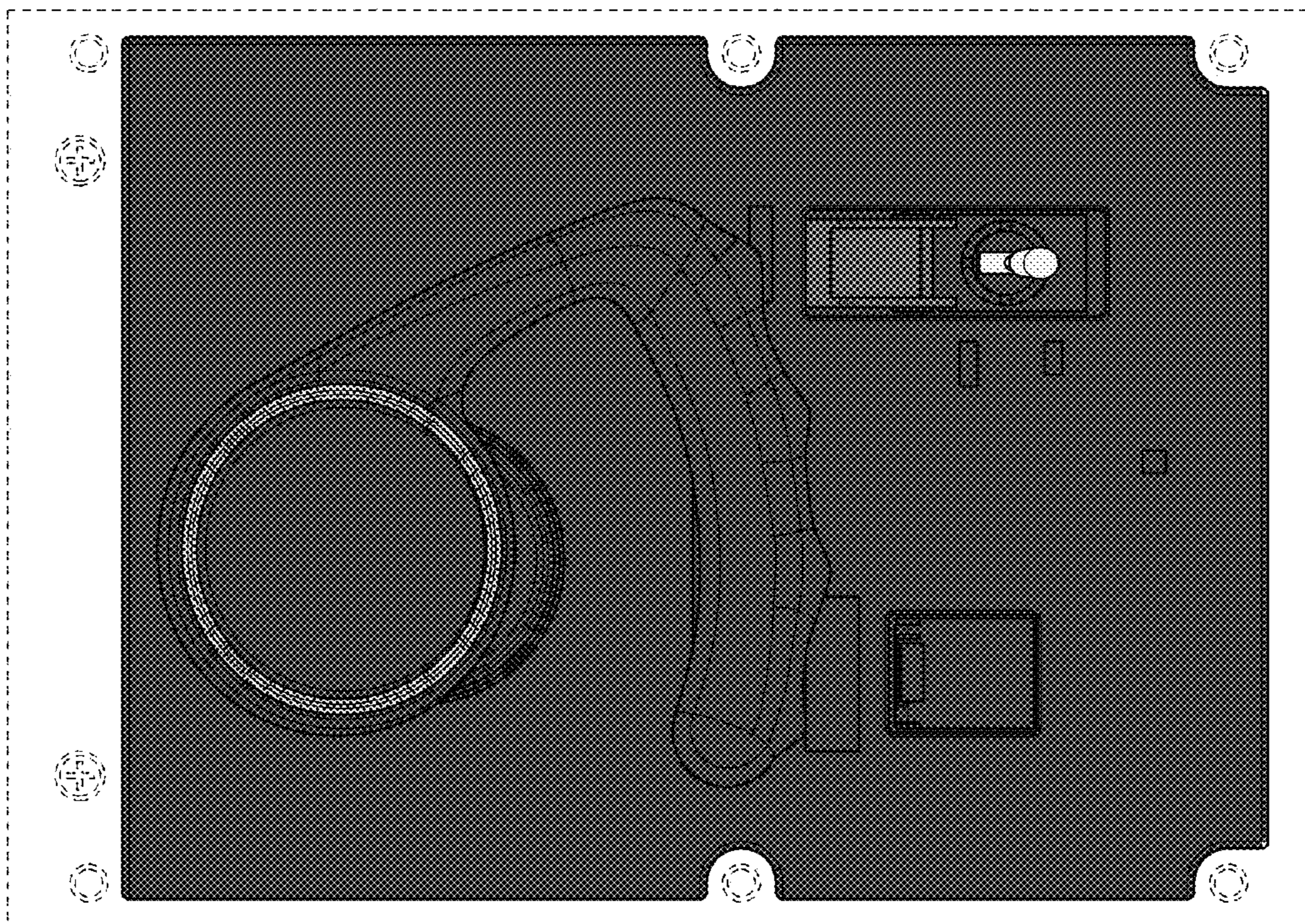


FIG. 6

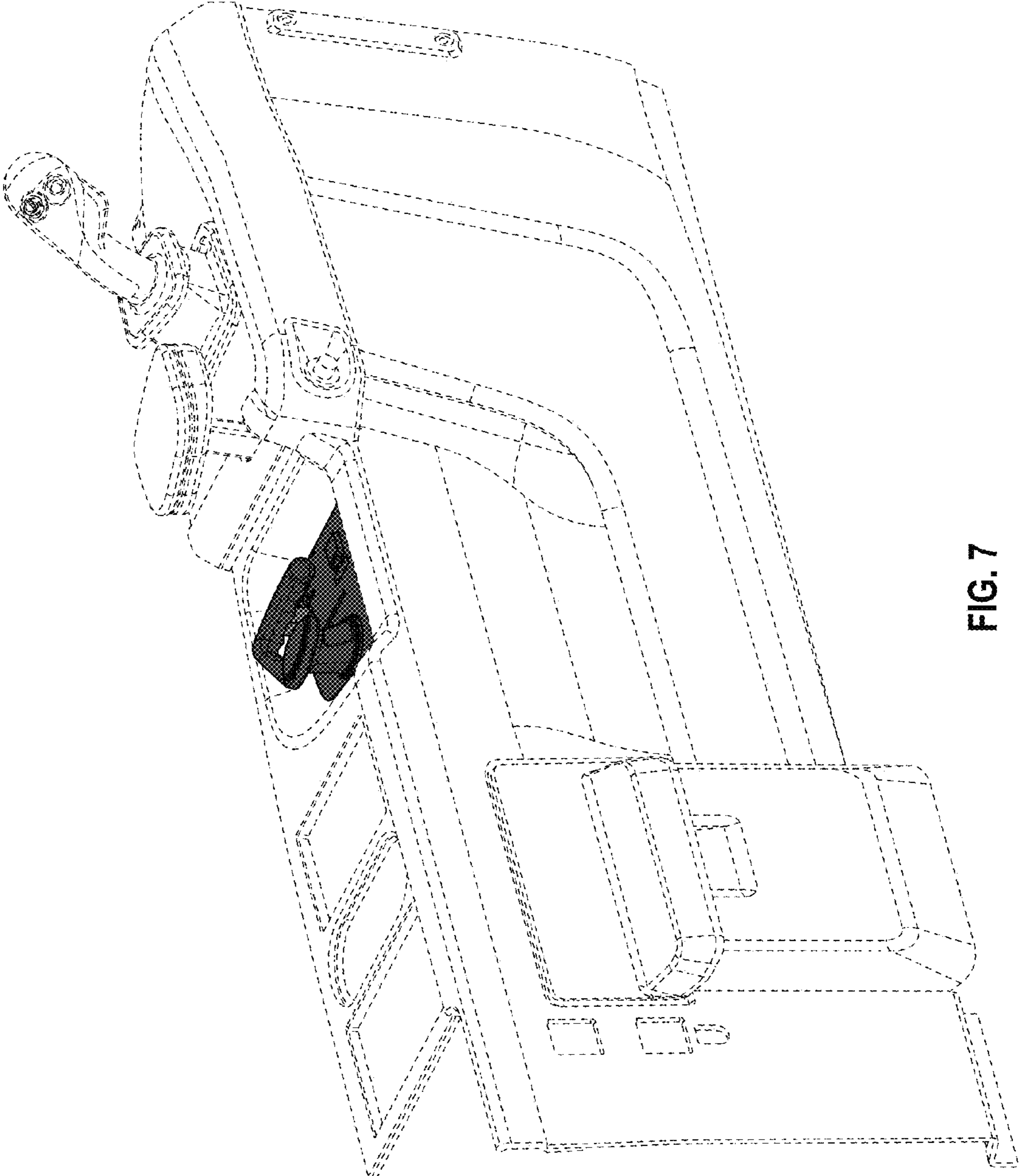


FIG. 7