



US00D749491S

(12) **United States Design Patent**  
**Kasparian et al.**

(10) **Patent No.:** **US D749,491 S**

(45) **Date of Patent:** **\*\* Feb. 16, 2016**

- (54) **COCKPIT INPUT DEVICE**
- (71) Applicant: **Gulfstream Aerospace Corporation**,  
Savannah, GA (US)
- (72) Inventors: **Aram Kasparian**, Savannah, GA (US);  
**Andrew Fulford**, Northville, MI (US)
- (73) Assignee: **Gulfstream Aerospace Corporation**,  
Savannah, GA (US)
- (\*\*) Term: **14 Years**
- (21) Appl. No.: **29/506,124**
- (22) Filed: **Oct. 13, 2014**
- (51) **LOC (10) Cl.** ..... **12-07**
- (52) **U.S. Cl.**  
USPC ..... **D12/345**
- (58) **Field of Classification Search**  
USPC ..... D6/336, 384, 653, 654, 665, 657, 663,  
D6/672, 573; D7/602, 603, 614; D12/319,  
D12/323, 325, 336, 345, 192, 423, 415, 416,  
D12/179, 180, 182; D21/436, 447, 448,  
D21/449, 453  
CPC ..... B64C 13/04; B64D 11/0007; B64D  
11/0015; B64D 11/003; B64D 11/04; B64D  
2011/0046; B64D 11/0629; B64B 1/10  
See application file for complete search history.

(56) **References Cited**

**U.S. PATENT DOCUMENTS**

- D563,300 S \* 3/2008 Nishimura ..... D12/192
- D575,212 S \* 8/2008 Tsay ..... D12/192
- D576,931 S \* 9/2008 Ravindra ..... D12/179
- D640,180 S \* 6/2011 Moneypenny ..... D12/345

- D641,674 S \* 7/2011 Kim ..... D12/192
- D682,771 S \* 5/2013 Amante ..... D12/192
- D704,113 S \* 5/2014 Bose ..... D12/192
- 8,766,933 B2 \* 7/2014 Makinen ..... G09B 21/003  
345/173
- D730,805 S \* 6/2015 Tran ..... D12/192
- 9,123,258 B2 \* 9/2015 Makinen ..... G09B 21/004
- 2007/0198141 A1 \* 8/2007 Moore ..... B64D 43/00  
701/3
- 2010/0044120 A1 \* 2/2010 Richter ..... G06F 3/044  
178/18.01
- 2012/0085870 A1 \* 4/2012 Coote ..... B60N 2/4693  
244/234

\* cited by examiner

*Primary Examiner* — Robert M Spear

*Assistant Examiner* — Marissa J Cash

(74) *Attorney, Agent, or Firm* — Ingrassia, Fisher & Lorenz  
PC

(57) **CLAIM**

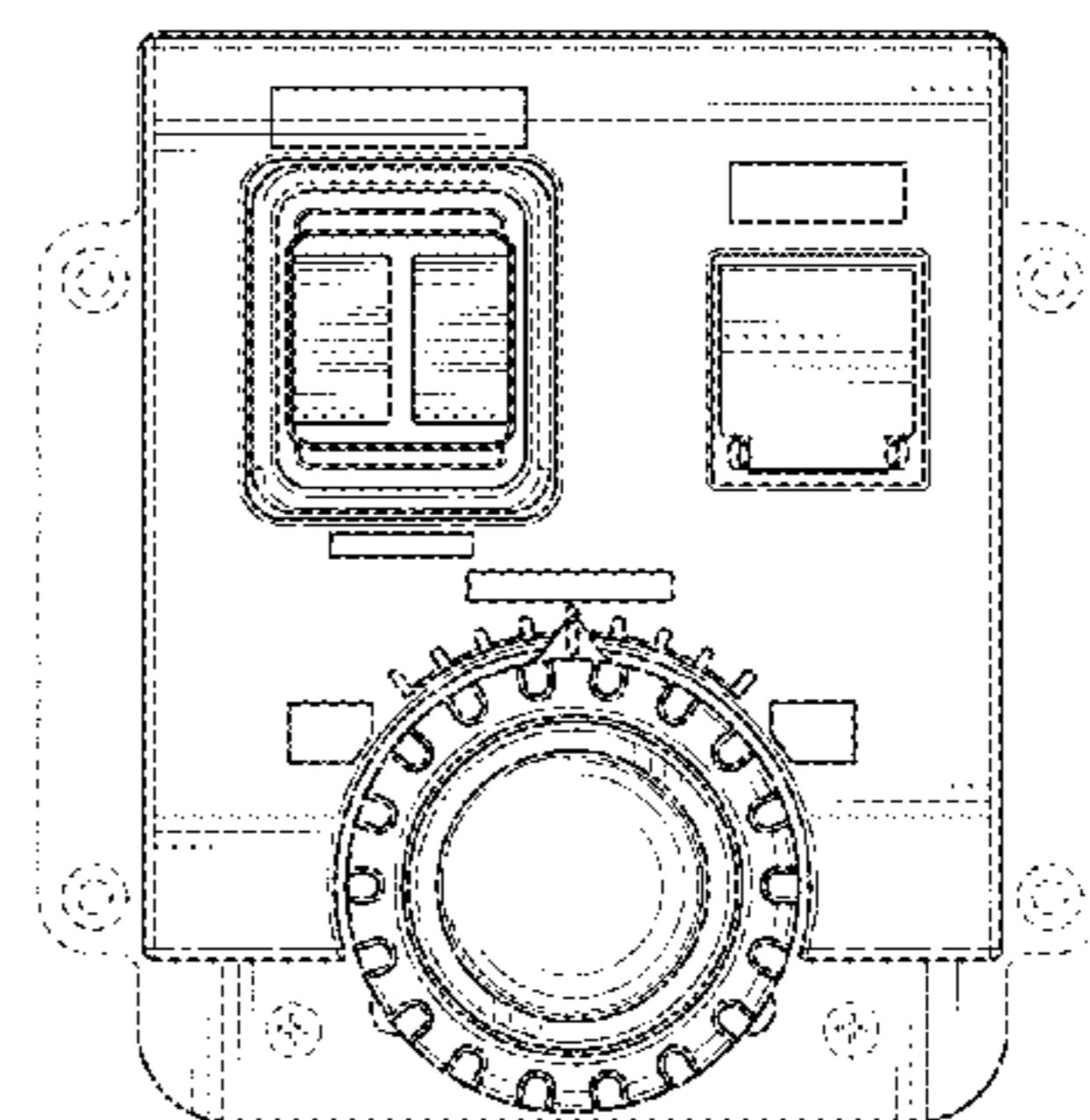
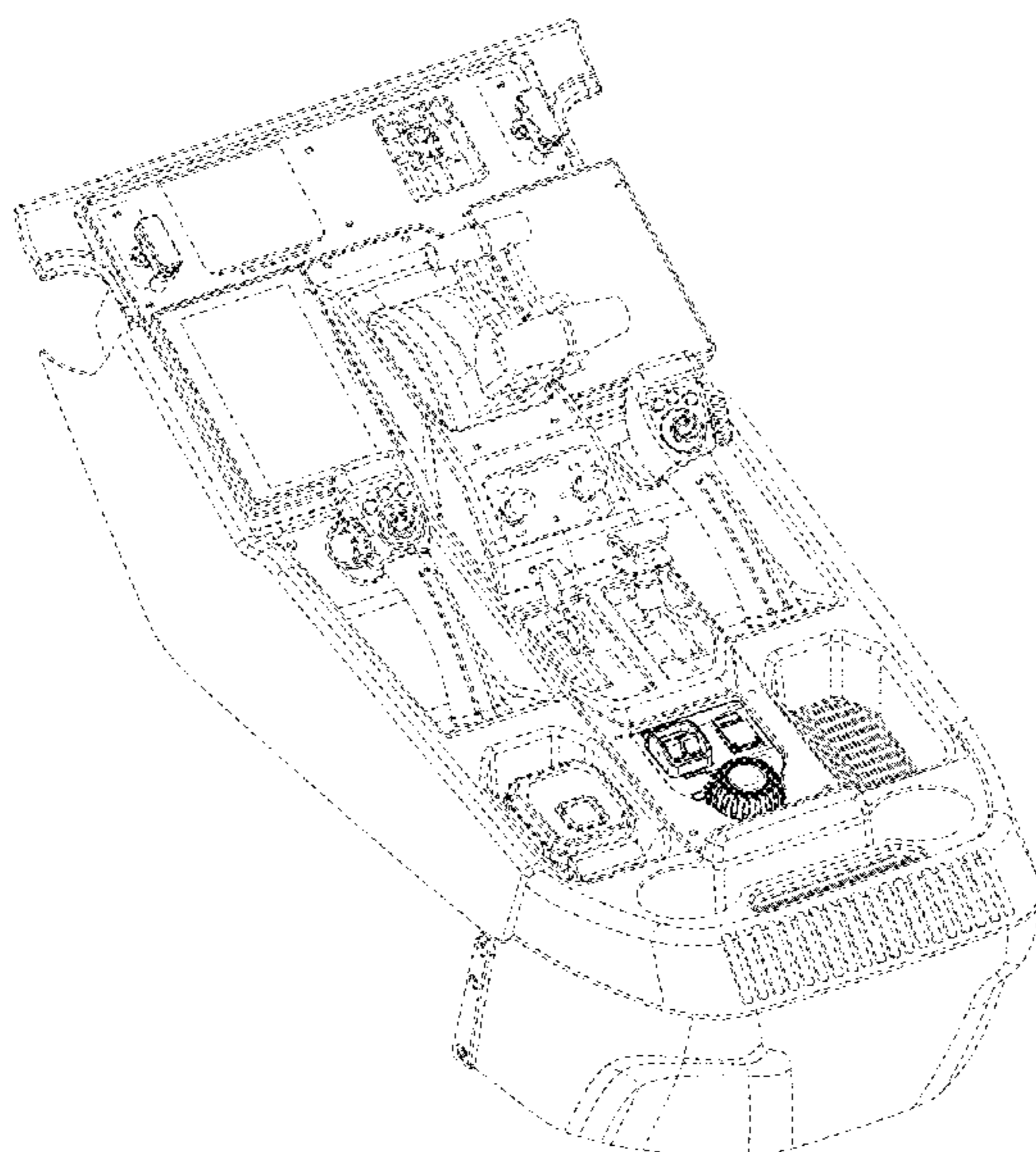
The ornamental design for a cockpit input device, as shown and described.

**DESCRIPTION**

FIG. 1 is a front perspective view of a cockpit input device; FIG. 2 is a front view of the cockpit input device, with some environmental structure removed for clarity of disclosure. FIG. 3 is a back view of the cockpit input device; FIG. 4 is a first side view of the cockpit input device; FIG. 5 is a second side view of the cockpit input device; and, FIG. 6 is a top view of the cockpit input device, where the bottom view is not illustrated and forms no part of the claimed design.

The broken lines illustrate environment and structure which form no part of the claimed design.

**1 Claim, 4 Drawing Sheets**



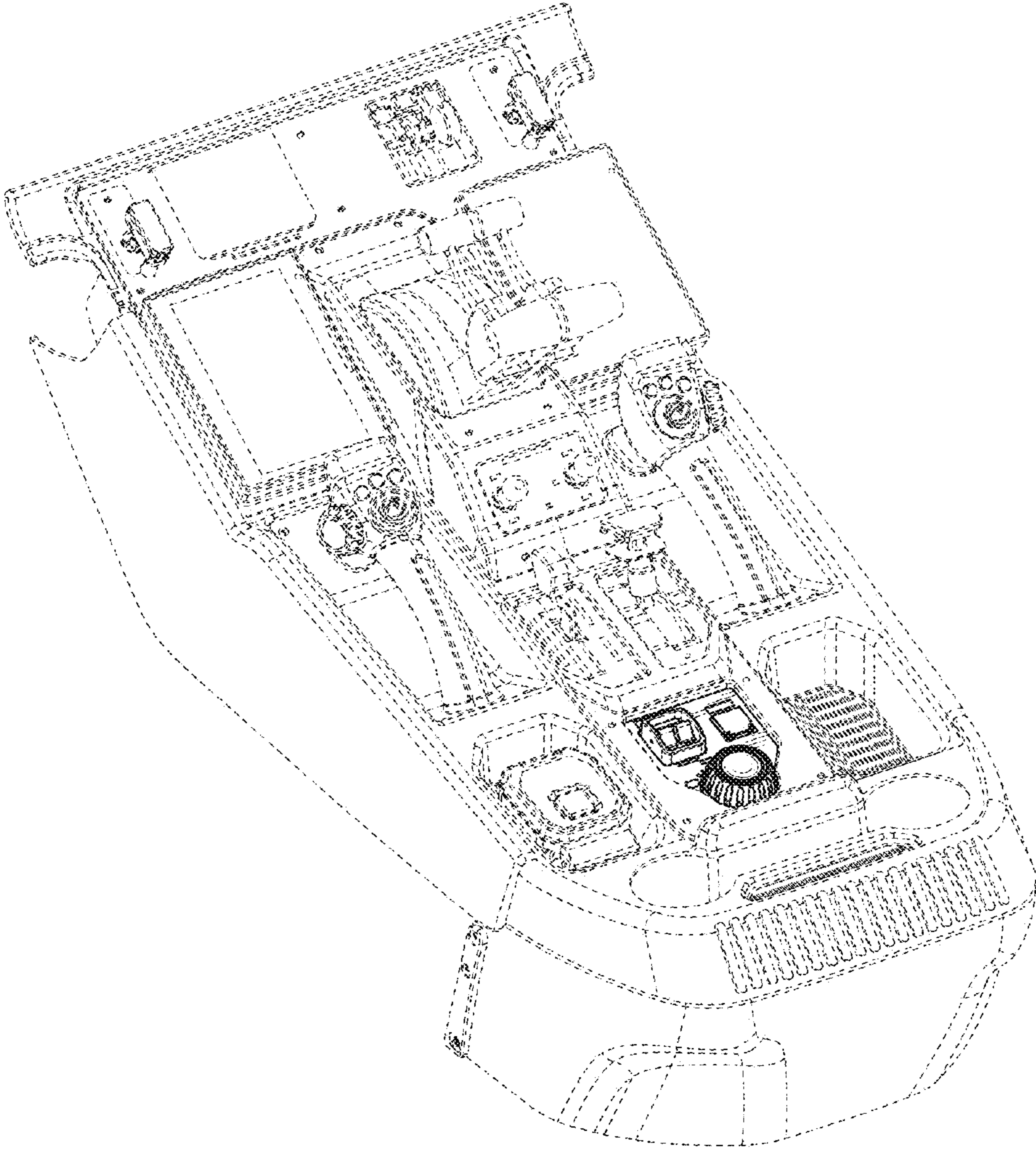


FIG. 1

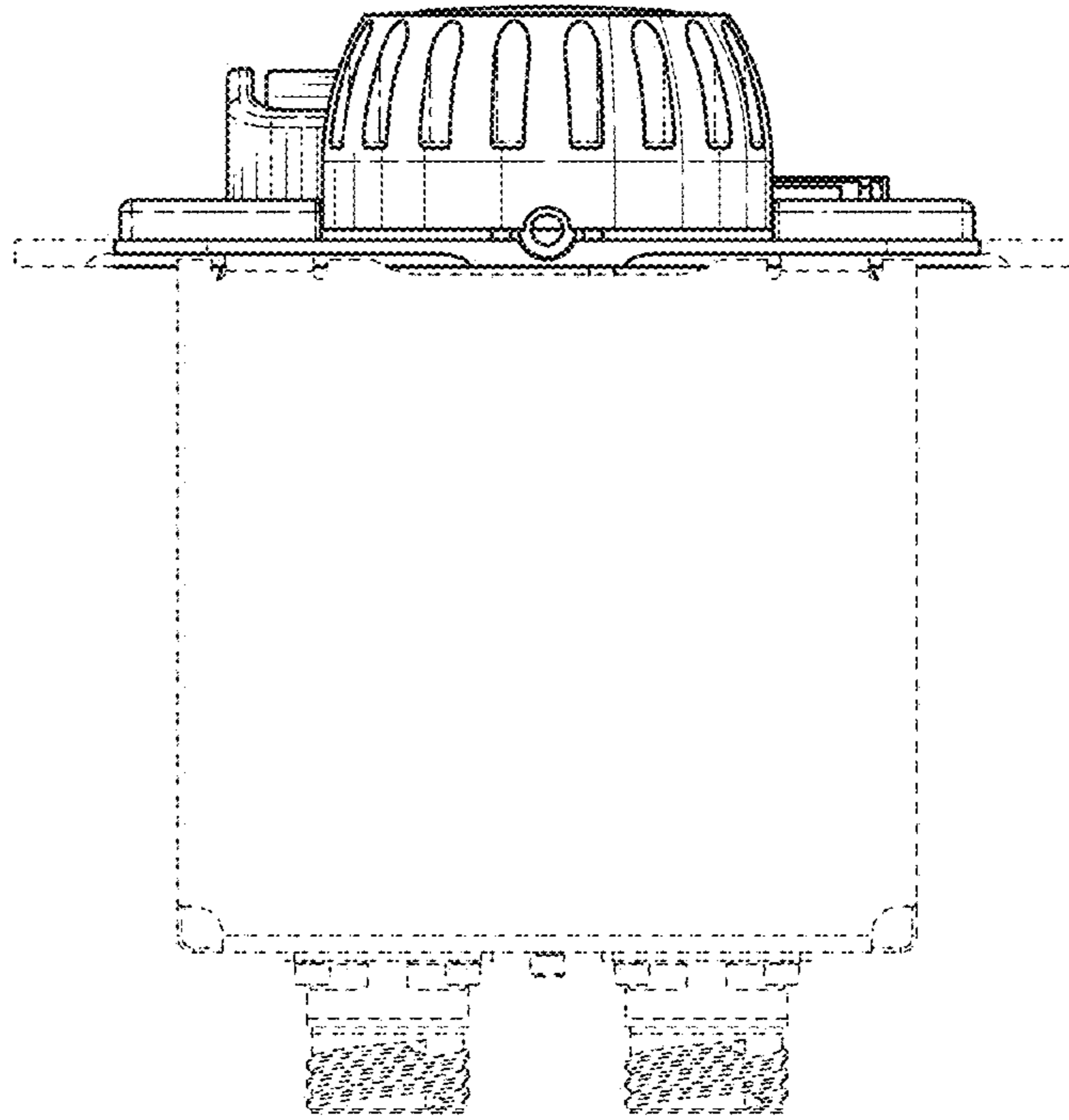


FIG. 2

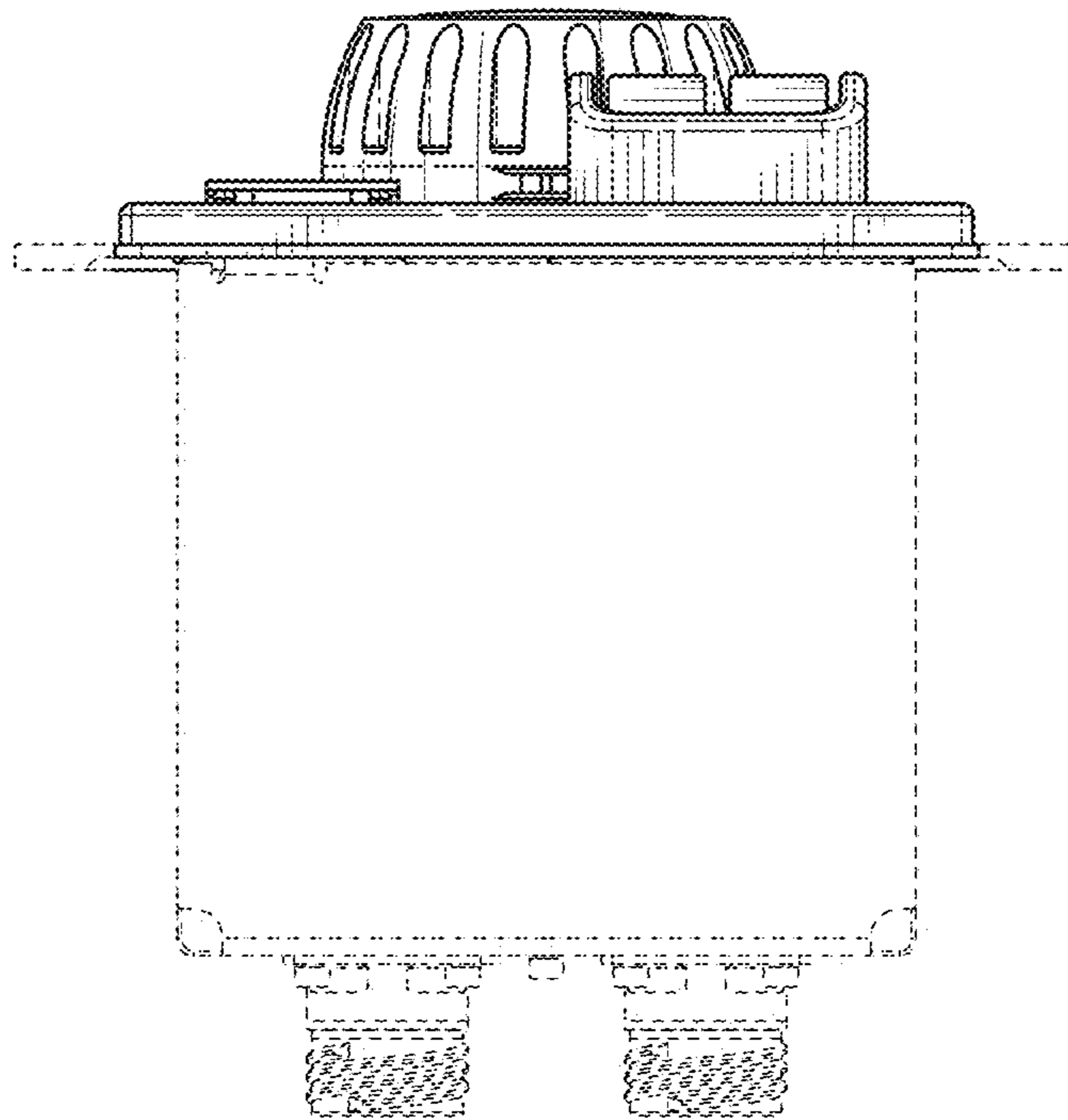


FIG. 3

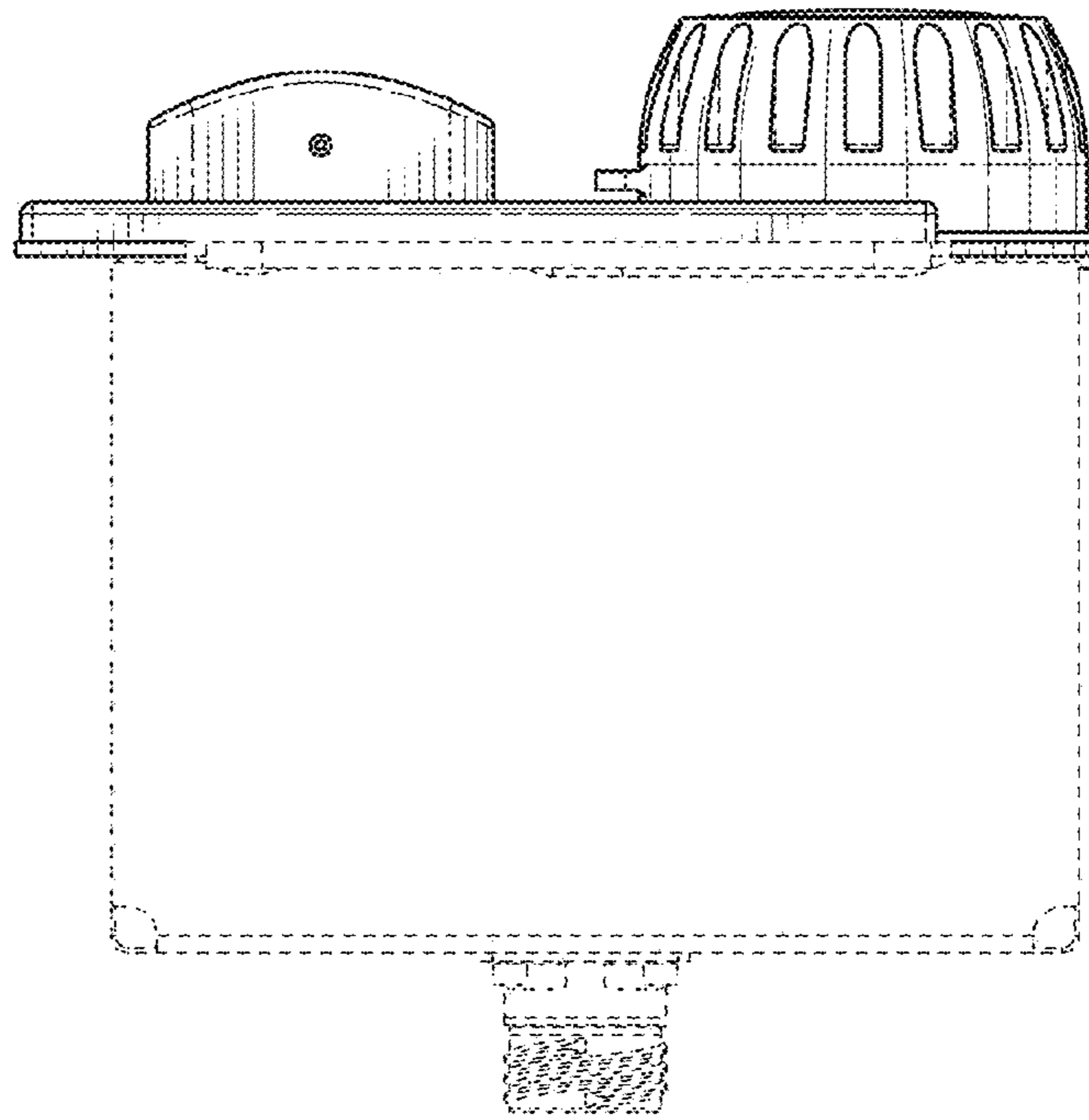


FIG. 4

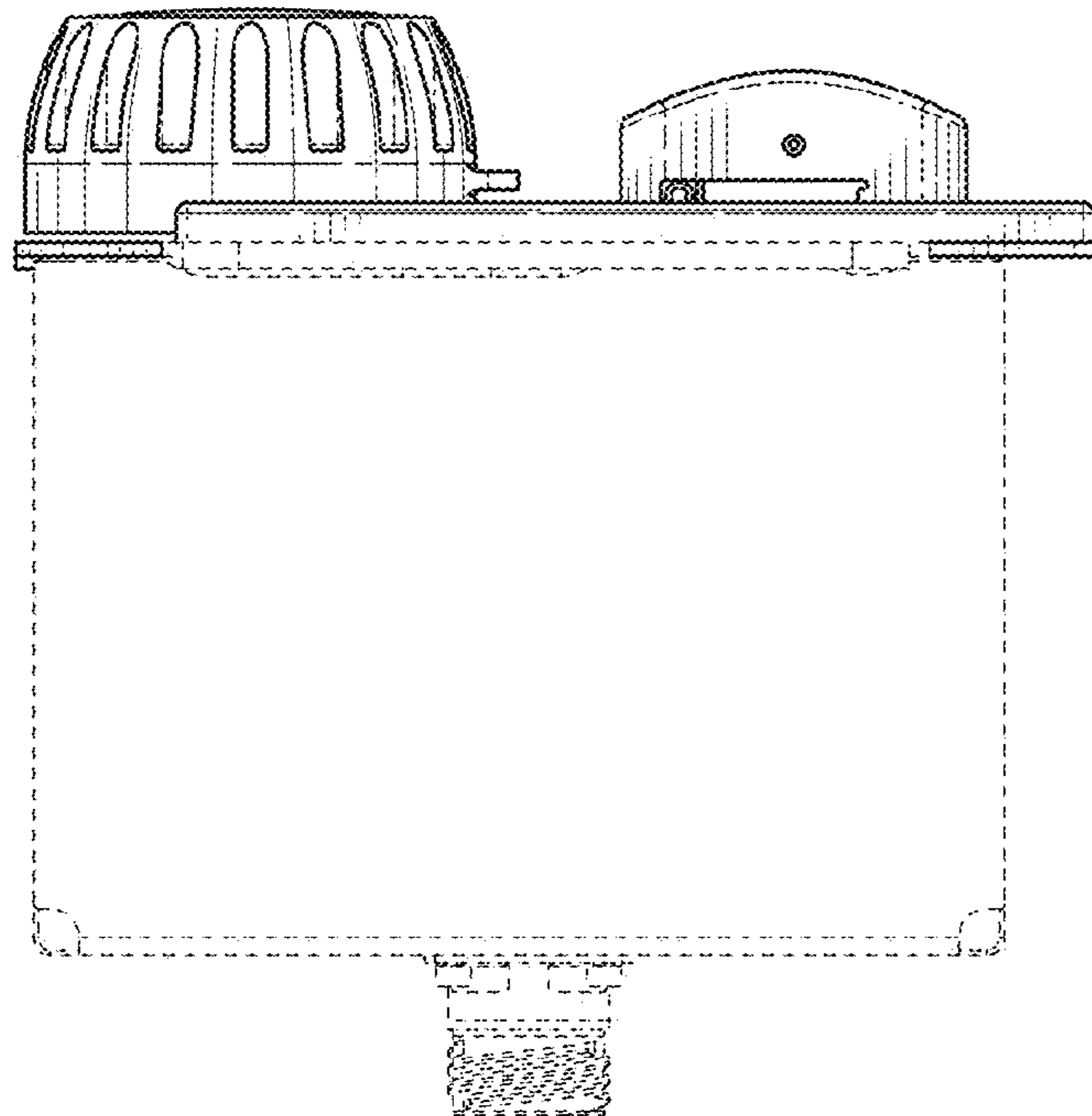


FIG. 5

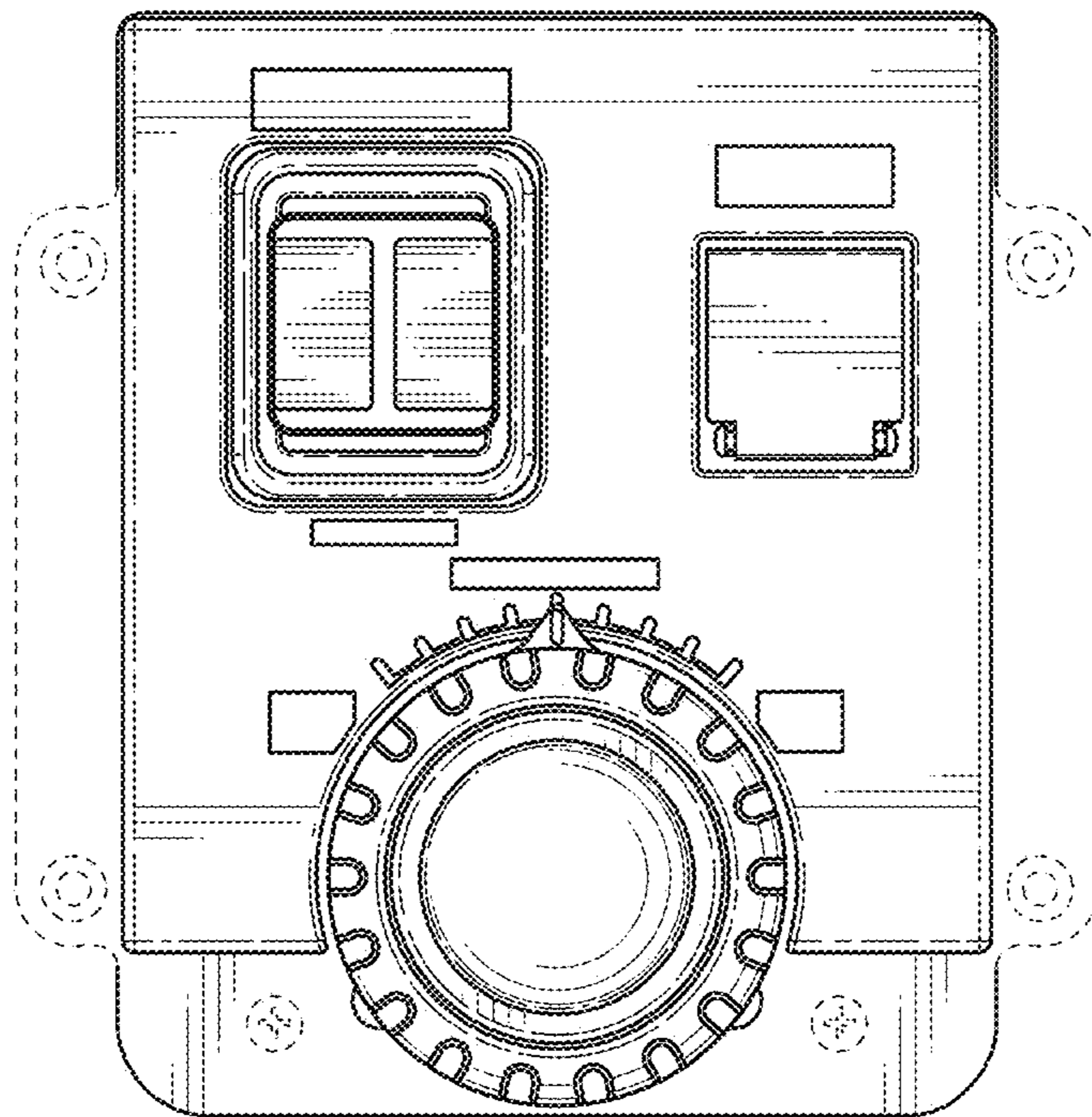


FIG. 6