



US00D749488S

(12) **United States Design Patent**
De Camargo et al.

(10) **Patent No.:** **US D749,488 S**

(45) **Date of Patent:** **** Feb. 16, 2016**

(54) **AIRCRAFT WITH APPLIED SURFACE PATTERN**

(71) Applicant: **EMBRAER S.A.**, São José dos Campos/SP (BR)

(72) Inventors: **Oliver Turci De Camargo**, São José dos Campos (BR); **Erich Shibata Nishiyama**, São José dos Campos (BR); **Valeria Lie Alonso**, São José dos Campos (BR); **Jay Beever**, Melbourne, FL (US)

(73) Assignee: **EMBRAER S.A.**, São José dos Campos-SP (BR)

(**) Term: **14 Years**

(21) Appl. No.: **29/470,394**

(22) Filed: **Oct. 21, 2013**

(51) **LOC (10) Cl.** **12-07**

(52) **U.S. Cl.**
USPC **D12/319; D12/343; D21/448**

(58) **Field of Classification Search**
USPC **D12/16.1, 319-345; D21/447, 448, D21/450, 453**
CPC **B64C 1/00; B64C 1/068; B64C 1/26; B64C 2001/0045; B64C 2001/0054; B64C 3/00; B64C 3/10; B64C 5/02; B64C 5/06; B64D 27/00; B64D 27/02; B64D 27/16; B64D 27/18; B64D 27/20; B64D 29/02; B64D 29/04; Y02T 50/12; Y02T 50/44**

See application file for complete search history.

(56) **References Cited**

U.S. PATENT DOCUMENTS

D172,880 S *	8/1954	Johnson et al.	D12/342
D173,032 S *	9/1954	Johnson et al.	D12/342
D177,327 S *	4/1956	Holtby et al.	D12/342
D359,472 S *	6/1995	Day	D12/343
D386,143 S *	11/1997	Astaire	D12/345
D505,204 S *	5/2005	Eatkins et al.	D12/345
D624,479 S *	9/2010	Guering	D12/343
D624,480 S *	9/2010	Guering	D12/343
D644,165 S *	8/2011	Fujino et al.	D12/345
D674,734 S *	1/2013	Fujino et al.	D12/345
2009/0159751 A1 *	6/2009	Wittmer et al.	244/134 E

* cited by examiner

Primary Examiner — Martie K Holtje

(74) *Attorney, Agent, or Firm* — Nixon & Vanderhye P.C.

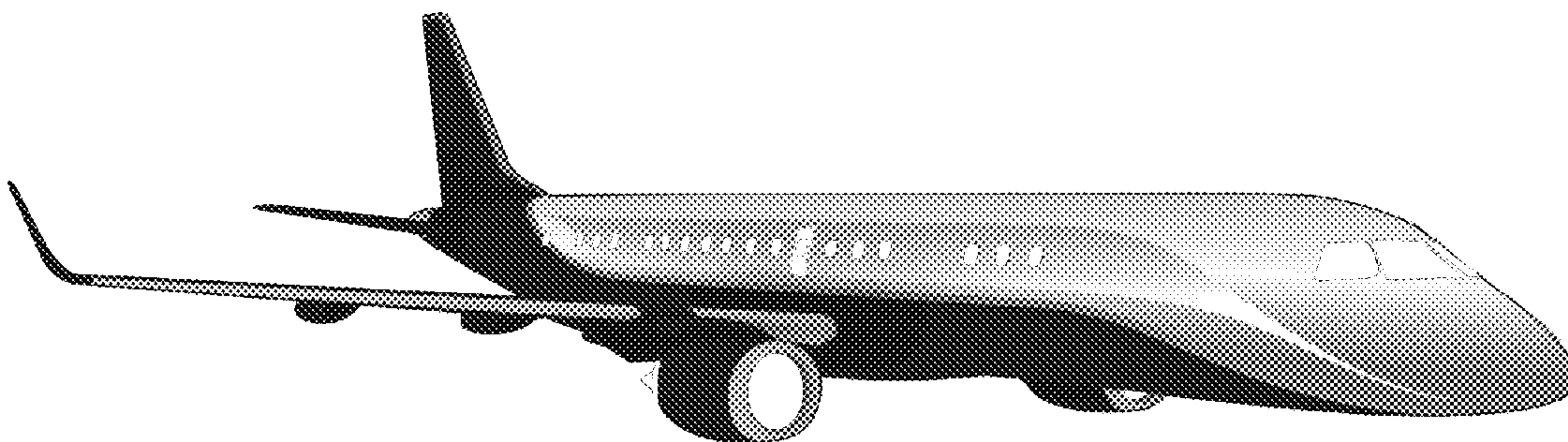
(57) **CLAIM**

The ornamental design for “aircraft with applied surface pattern,” as shown and described.

DESCRIPTION

FIG. 1 is front elevational view of an aircraft with applied surface pattern showing our new design; FIG. 2 is rear elevational view thereof; FIG. 3 is a top plan view thereof; FIG. 4 is a bottom plan view thereof; FIG. 5 is a left side elevational view thereof; FIG. 6 is a right side elevational view thereof; FIG. 7 is left side perspective view thereof; and, FIG. 8 is right side perspective view thereof; and wherein. The structural features depicted by broken lines in the drawings have been shown for the purpose of illustrating portions of the aircraft with applied surface pattern that form no part of the claimed design.

1 Claim, 7 Drawing Sheets



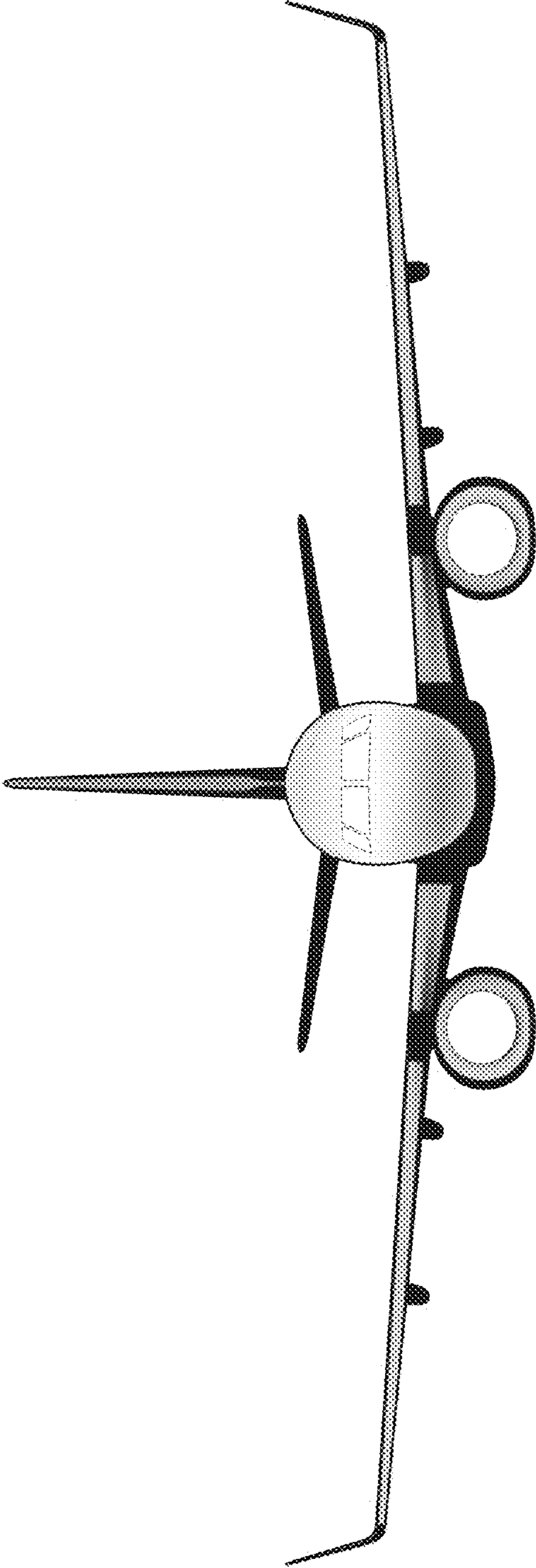


FIG. 1

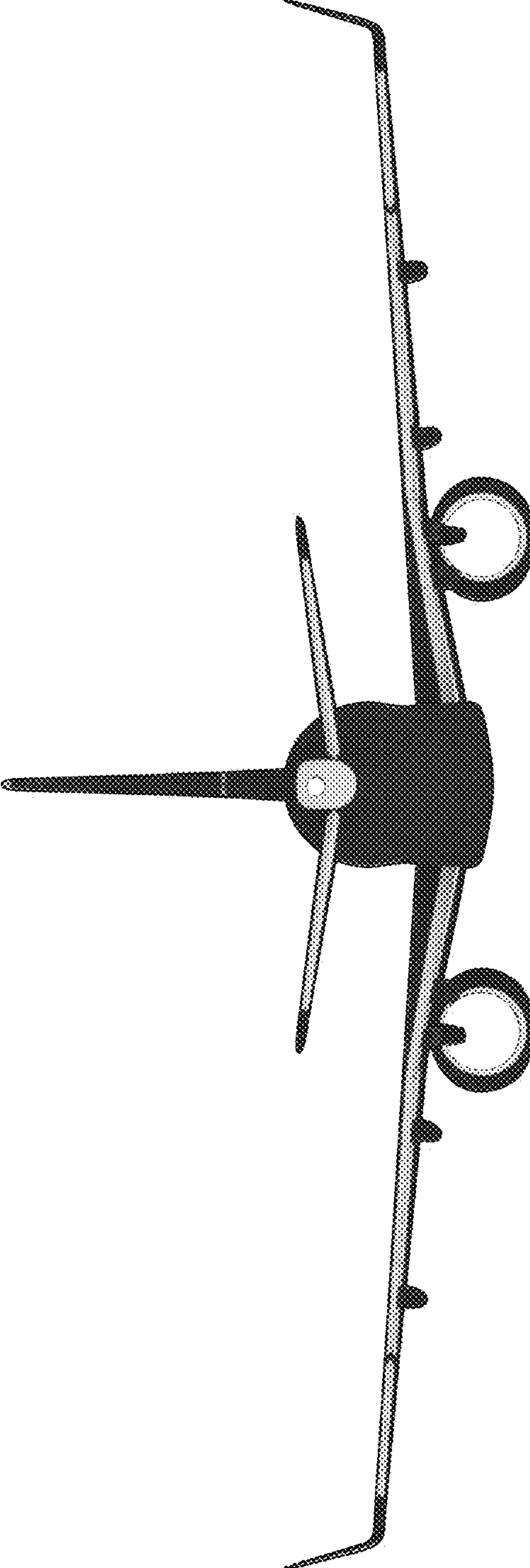


FIG. 2



FIG. 3



FIG. 4

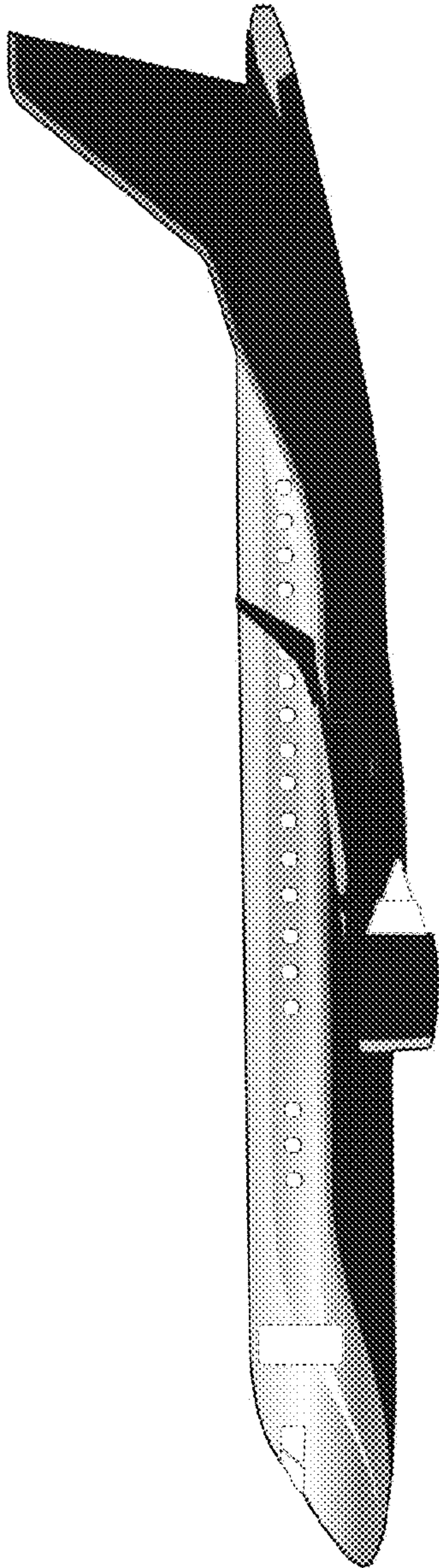


FIG. 5

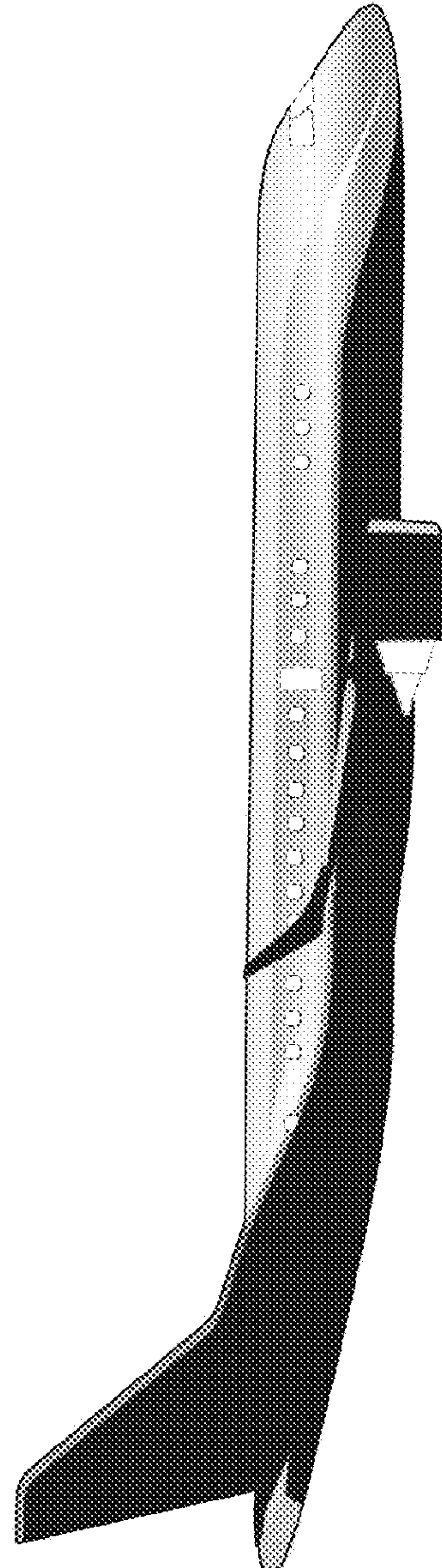


FIG. 6

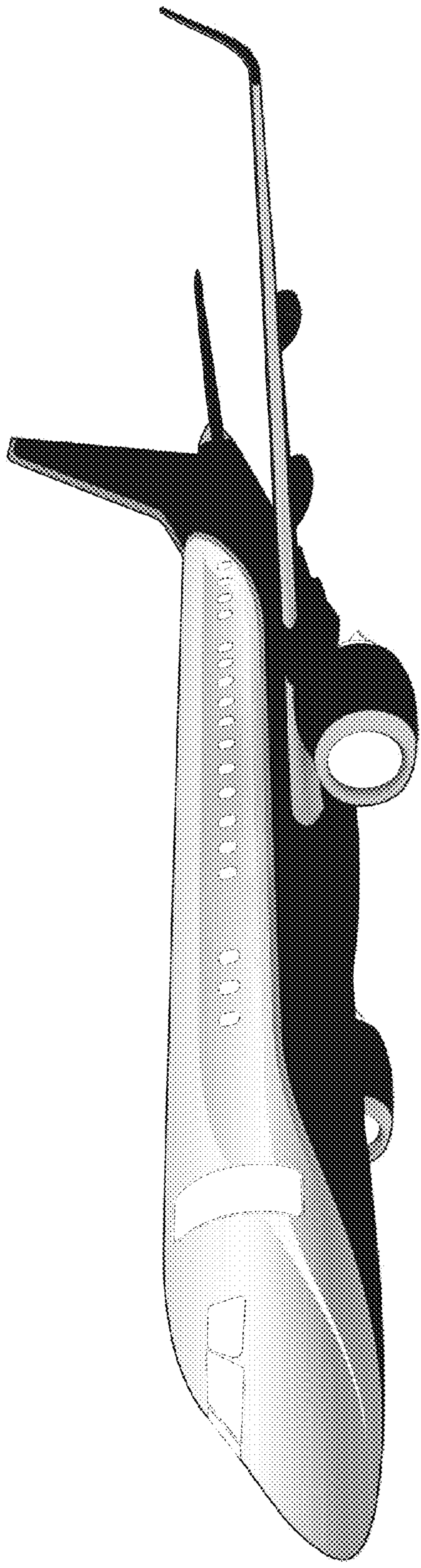


FIG. 7

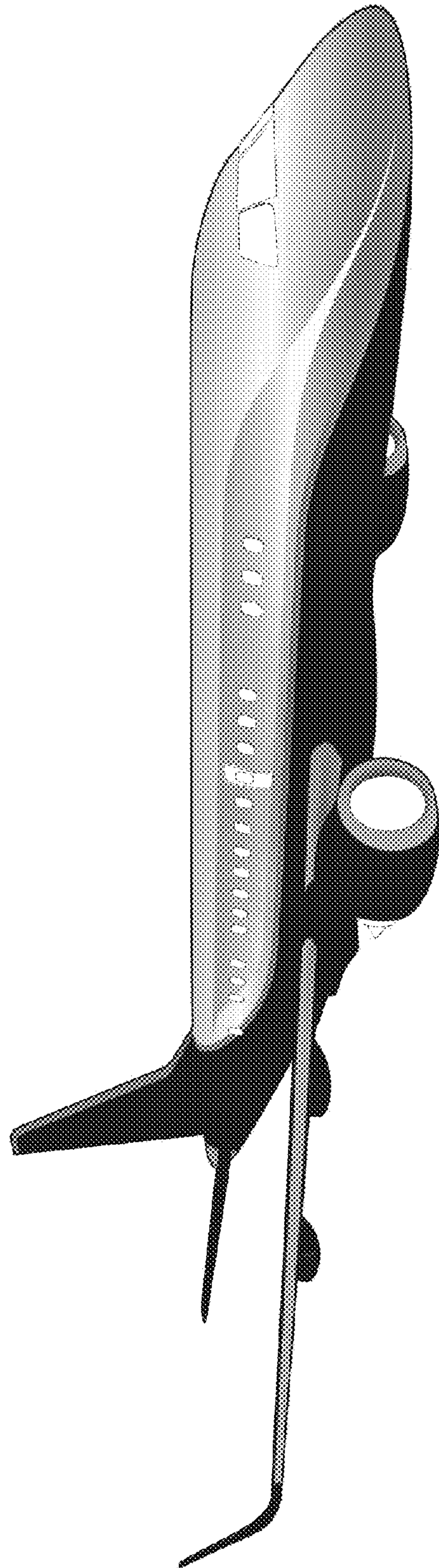


FIG. 8