



US00D749487S

(12) **United States Design Patent**
Mahoney et al.

(10) **Patent No.:** **US D749,487 S**

(45) **Date of Patent:** **** Feb. 16, 2016**

(54) **VEHICLE WHEEL**

(71) Applicant: **Ford Motor Company**, Dearborn, MI (US)

(72) Inventors: **David Mahoney**, Orchard Lake, MI (US); **Jesse Diephuis**, West Bloomfield, MI (US)

(73) Assignee: **Ford Motor Company**, Dearborn, MI (US)

(**) Term: **14 Years**

(21) Appl. No.: **29/511,850**

(22) Filed: **Dec. 15, 2014**

(51) **LOC (10) Cl.** **12-16**

(52) **U.S. Cl.**
USPC **D12/211**

(58) **Field of Classification Search**
USPC D12/204–213
CPC B60B 7/00; B60B 7/02; B60B 7/04;
B60B 7/01; B60B 7/06; B60B 3/02; B60B 3/04;
B60B 3/06; B60B 3/10; B60B 1/00;
B60B 1/08; B60B 1/10; B60B 1/12
See application file for complete search history.

(56) **References Cited**

U.S. PATENT DOCUMENTS

D384,634 S * 10/1997 Cullen D12/211
D422,959 S * 4/2000 Hussaini D12/211

D429,681 S * 8/2000 Cullen D12/211
D504,381 S * 4/2005 Rice D12/211
D510,554 S * 10/2005 Markefka D12/211
D526,610 S * 8/2006 Muzzarelli D12/211
D542,728 S * 5/2007 Ichinose D12/211
D558,118 S * 12/2007 Hueller D12/211
D584,211 S * 1/2009 Farny D12/211
D613,657 S * 4/2010 Cortes D12/209
D623,115 S * 9/2010 Juergens D12/211
D625,675 S * 10/2010 Juergens D12/209
D639,716 S * 6/2011 Juergens D12/211
D641,679 S * 7/2011 Vardis D12/211
D644,585 S * 9/2011 Antoniadis D12/209
D648,254 S * 11/2011 Barry D12/209
D651,956 S * 1/2012 Ectors D12/209
D666,957 S * 9/2012 Antoniadis D12/211
D669,008 S * 10/2012 von Holzhausen D12/211
D670,632 S * 11/2012 Schweizer D12/211
D675,554 S * 2/2013 Nissl D12/211
D725,570 S * 3/2015 Mays D12/211
D731,389 S * 6/2015 Gotschke D12/211
D731,390 S * 6/2015 Kobayashi D12/211

* cited by examiner

Primary Examiner — Stacia Cadmus

(74) *Attorney, Agent, or Firm* — Damian Porcari

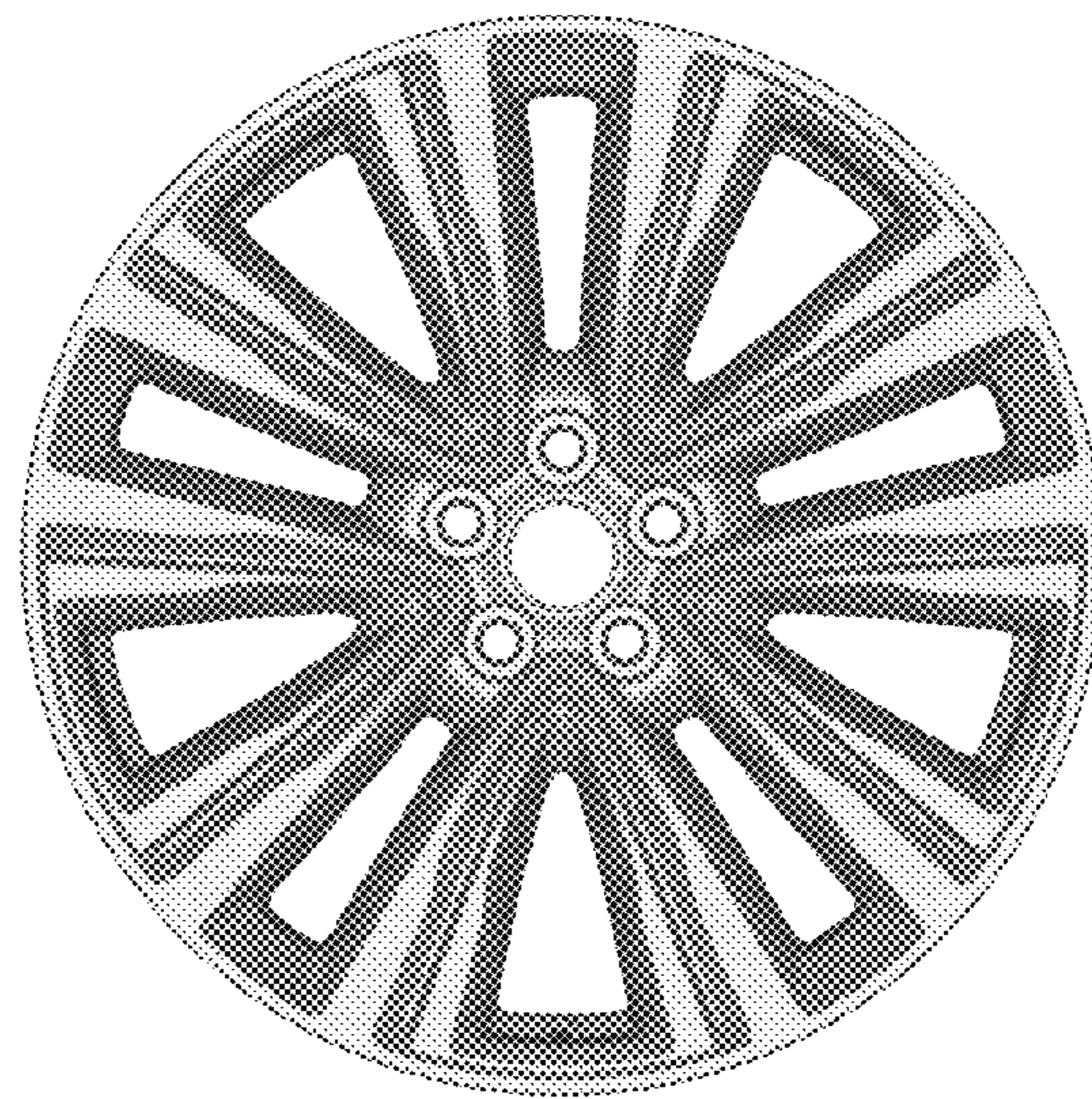
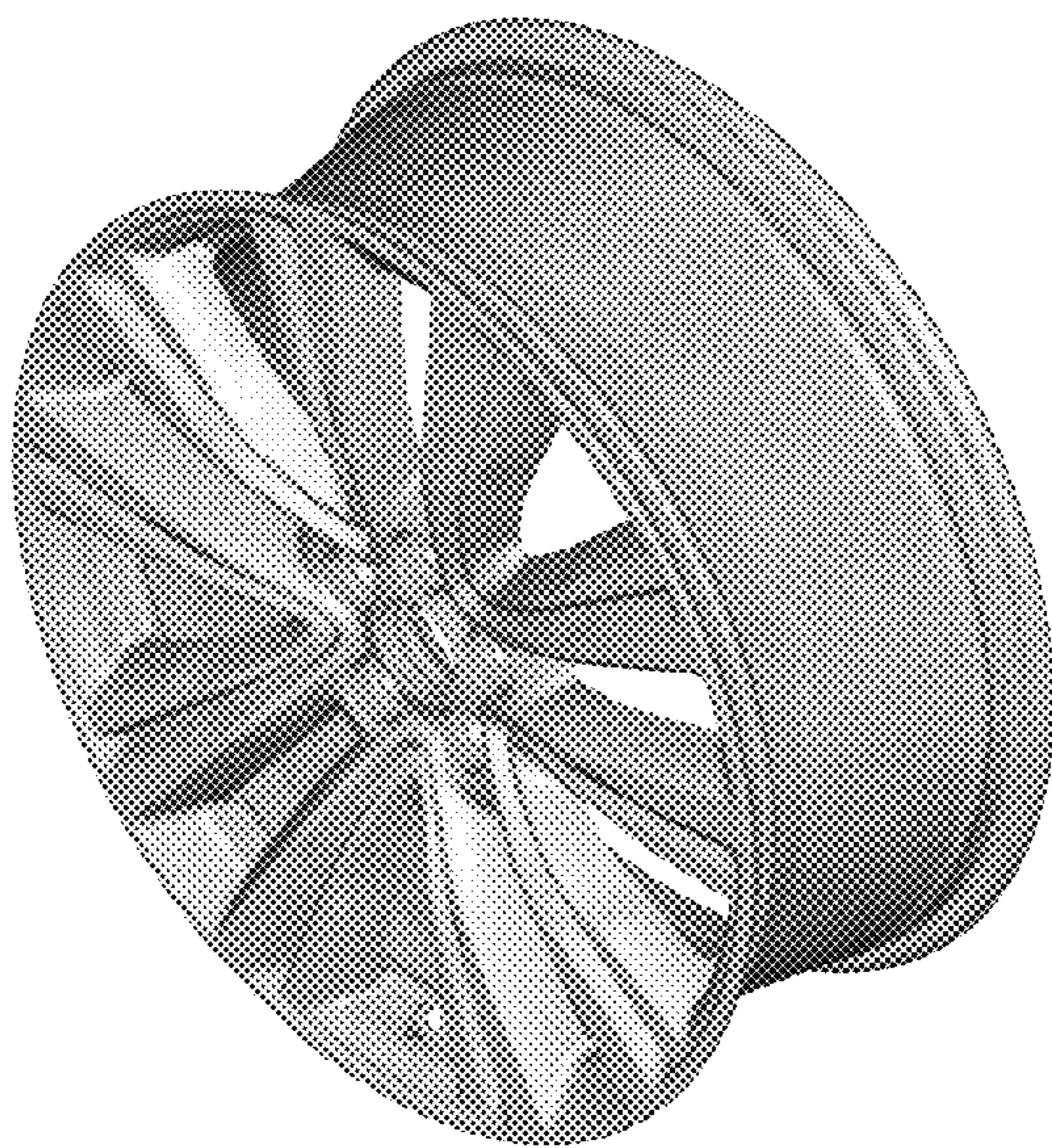
(57) **CLAIM**

The ornamental design for a vehicle wheel, as shown and described.

DESCRIPTION

FIG. 1 is a perspective view of a vehicle wheel; and, FIG. 2 is a front view thereof.

1 Claim, 2 Drawing Sheets



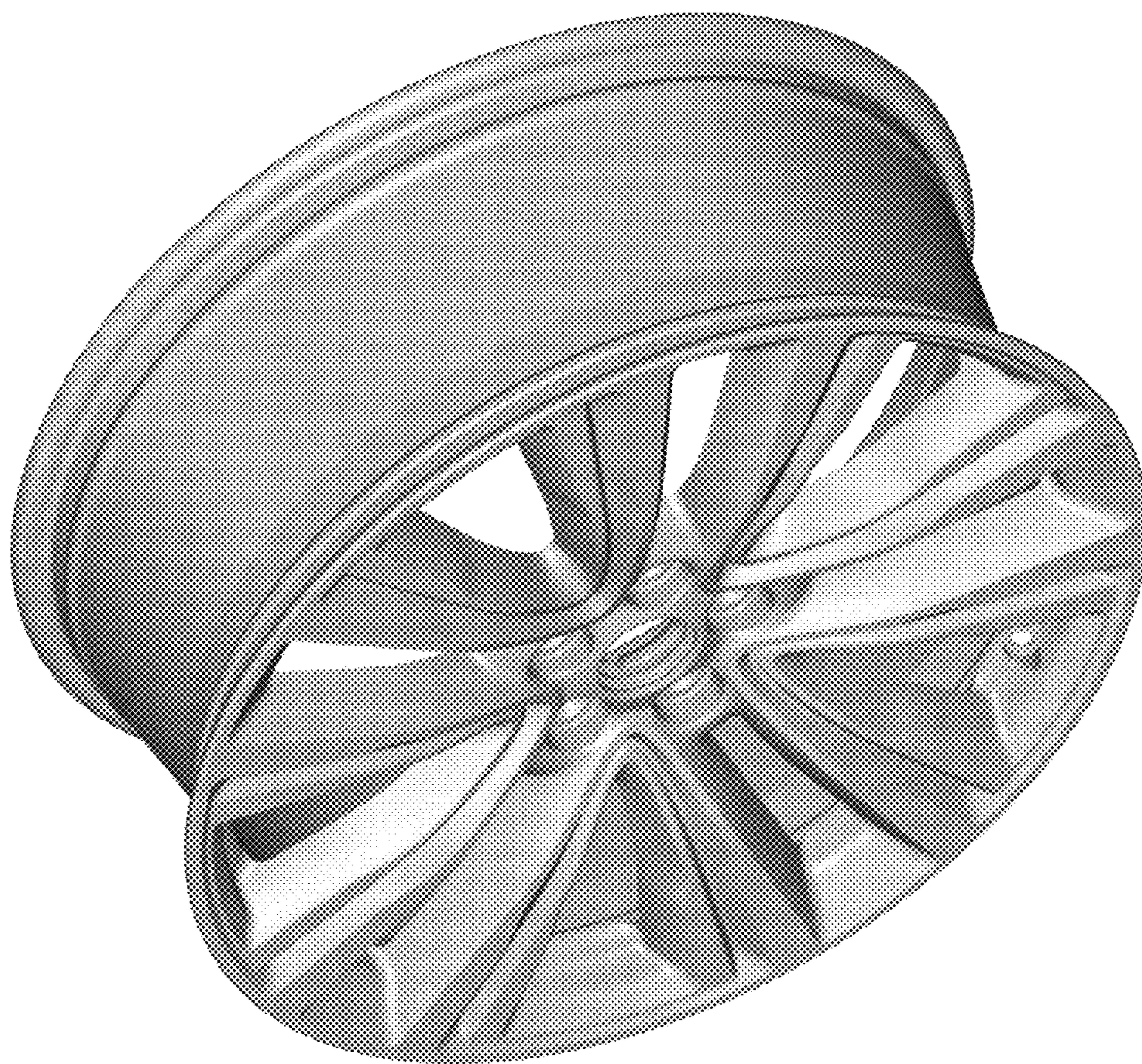


Figure 1

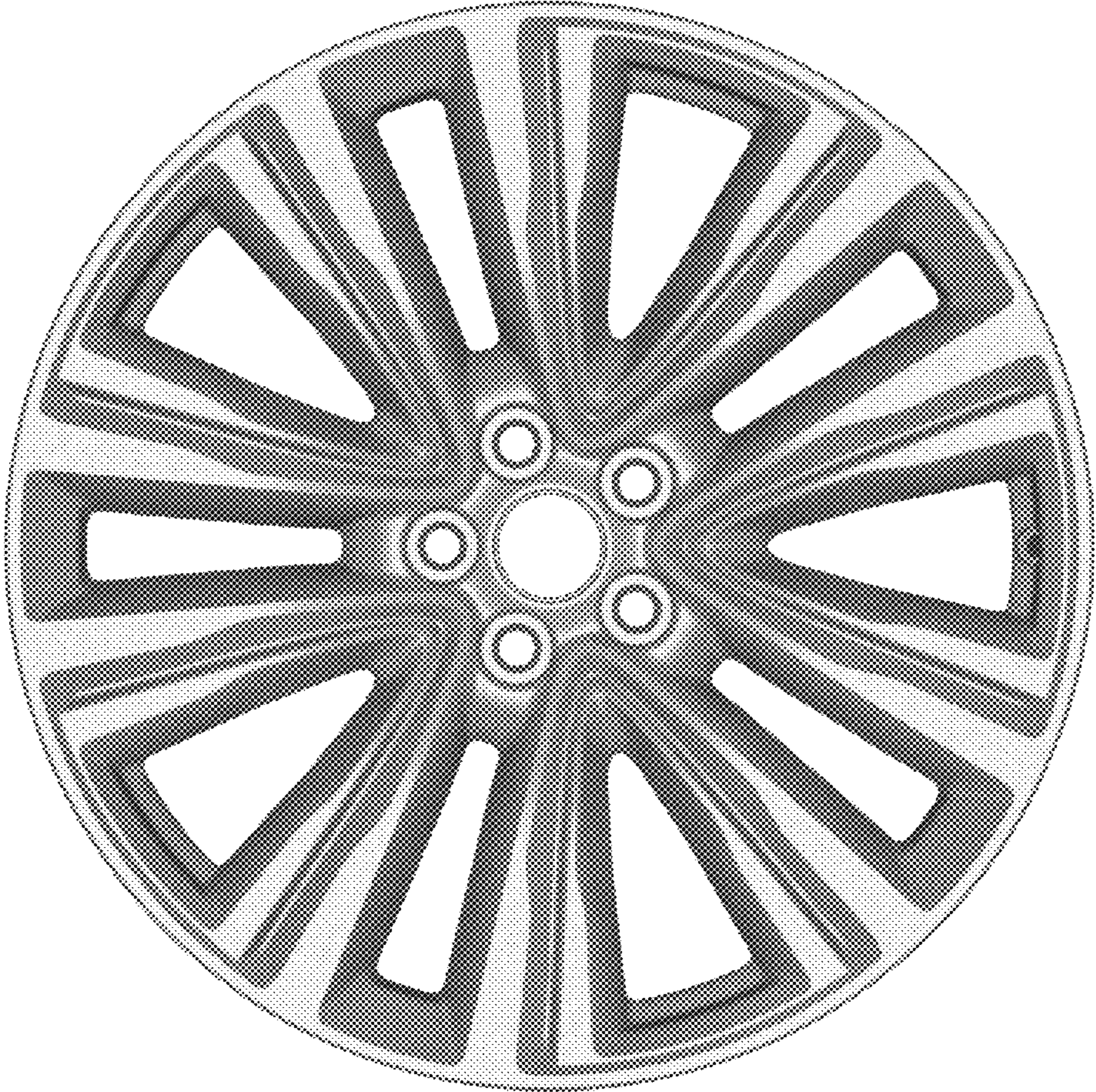


Figure 2